



CONNECT AND PROTECT

Express Customization Drawings



HOFFMAN

Scope

In order to make Express Customization a user-friendly tool for our customers, nVent HOFFMAN has developed a **ToolKit** that will help you to define some of the most common machining operations we can offer.

After downloading [nVent HOFFMAN ToolKit](#) from our website and following this document, you will easily be able to create a drawing that is fully compatible with our Express Customization service.

A screenshot of the nVent HOFFMAN website search interface. At the top, a search bar contains the text "MAS0403015R5" with a magnifying glass icon and an information icon. Below the search bar, a red-bordered box highlights the search results. The results are organized into sections: "MAS" with a product image and description "Mild steel, single door enclosure | Wall mounted enclosures", a "Downloads" link, "Articles" with a link to "All articles", and a specific article entry for "MAS0403015R5" with the description "Wall mounted, 400x300x155" and a "Search Download Center" link. A "See all results" button is at the bottom of the highlighted area. To the right of the search results are social media icons for LinkedIn, Facebook, Twitter, and YouTube. Below the search results are four buttons: "DOWNLOAD CENTER", "CONTACT US", "Join our NEWSLETTER", and "COVID-19 UPDATES".

Step 1

Download your drawing from the nVent HOFFMAN website

First of all, go to the our website (www.eldon.com) and download the relevant drawing from the range of products available for Express Customization.

A screenshot of the nVent HOFFMAN website search results page. At the top, a navigation bar contains "PANY | NEWS | AFTERSALES | CONTACT". Below the navigation bar, a red bar contains the text "Home / Search". The main heading is "Search: MAS0403015R5". Below the heading is a product image of a wall-mounted enclosure. To the right of the image is the description "MAS - Mild steel, single door enclosure | Wall mounted enclosures". Below the image and description is the heading "Articles". Underneath "Articles" is a table with two columns: "Article" and "Description". The table contains one row with the article ID "MAS0403015R5" and the description "Wall mounted, 400x300x155". A red-bordered box highlights the table row.

Article	Description
MAS0403015R5	Wall mounted, 400x300x155

Mounting Plate Width	250 mm
Max. enclosure useful depth	137 mm
Gland Plate Opening Size	210 x 56 mm
Type	1S
No. of Gland Plate	1
Openings	
No Locks	1
Weight (kg)	6.75

Item no.: MAS0403015R5
EAN no.: 8713574125551

Technical data | Features | Downloads | **CAD** | Certificates

Express customization ?
 Native drawing

Quality: Low High
Format: 2D 3D
DXF (DXF2D-2010) ▼
 Include mounting plate

Download * Drawings generated according to [ISO standard](#)

Once you are in "CAD", nVent HOFFMAN offers two alternatives:

- Download Express Customization drawing;
- Download Native drawing.

The new CAD system allows the customer, with a single action, to download native drawings by selecting the enclosure or accessory of choice, on the nVent HOFFMAN website.

What native drawing does nVent HOFFMAN recommends?

nVent HOFFMAN Express Customization needs a DXF/DWG, scale 1:1 and units in mm as supported format. However, customer can create the Express Customization drawing using any other format as base file, on the condition that the drawing sent to nVent HOFFMAN is DXF/ DWG format.

nVent HOFFMAN recommends to download "Express Customization drawing", which is low quality version of "DXF (DXF2D-2010)", for creating your own Express Customization drawing.

NOTE: It is required to be logged in myEldon. You can join us clicking [here](#).

The download file contents one file including all the views, scale 1:1, units in mm, ready for specify customer's requirements. nVent HOFFMAN offers sections to learn how to use [nVent HOFFMAN Toolkit](#).

NOTE 1: nVent HOFFMAN offer an engineering support in case you require it. nVent HOFFMAN will make a drawing subject to your approval before the customization process starts. Please, contact your nVent HOFFMAN Sales representative for more information.

Mounting Plate Width	250 mm
Max. enclosure useful depth	137 mm
Gland Plate Opening Size	210 x 56 mm
Type	1S
No. of Gland Plate	1
Openings	
No Locks	1
Weight (kg)	6.75

Item no.: MAS0403015R5
EAN no.: 8713574125551

Technical data | Features | Downloads | CAD | Certificates

Express customization ?
 Native drawing

Quality: Low High
Format: 2D 3D
DXF (DXF2D-2010) ▼
 Include mounting plate

Download * Drawings generated according to [ISO standard](#)

Step 2

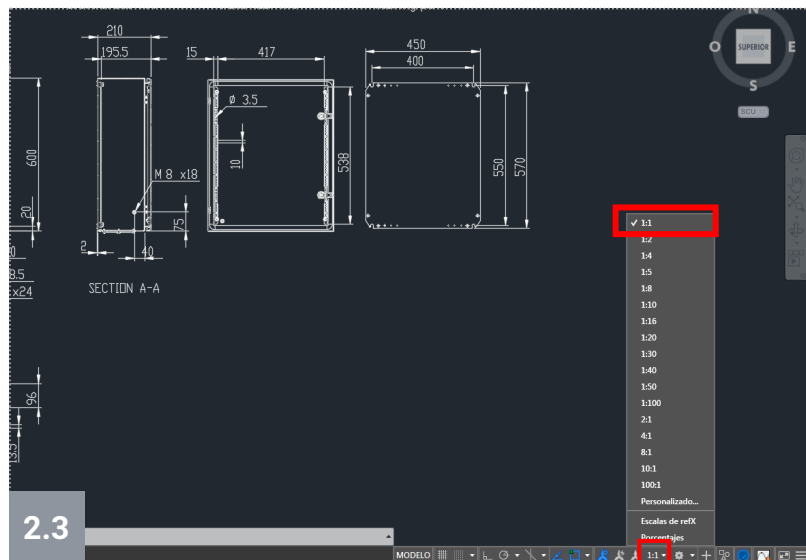
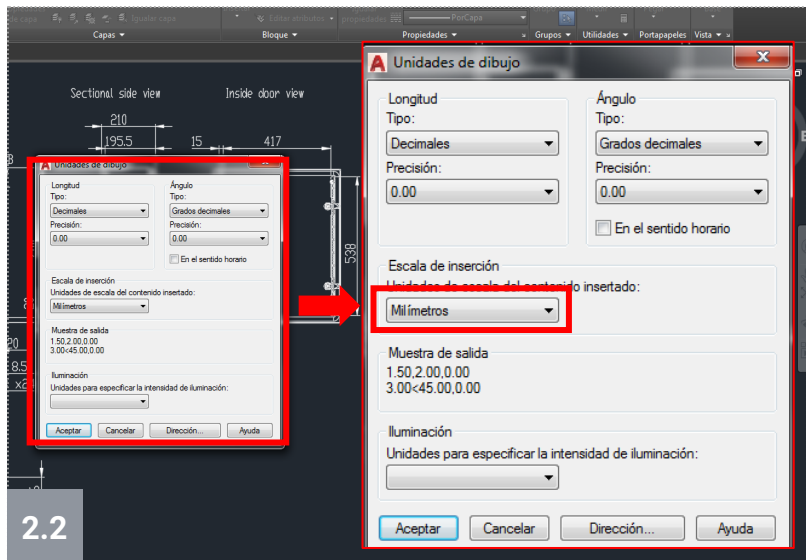
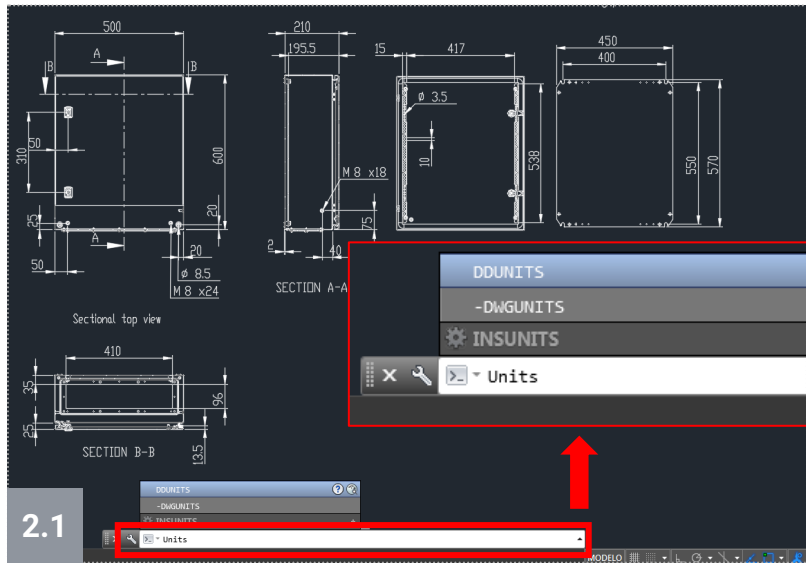
Create your drawing for Express Customization

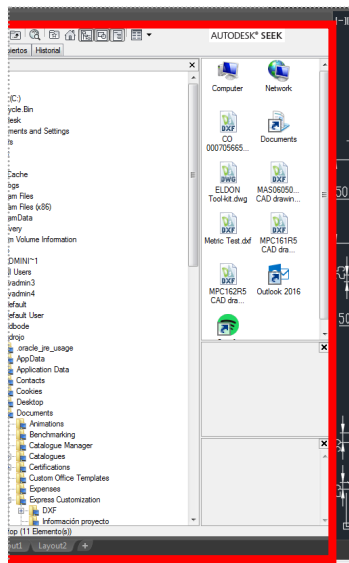
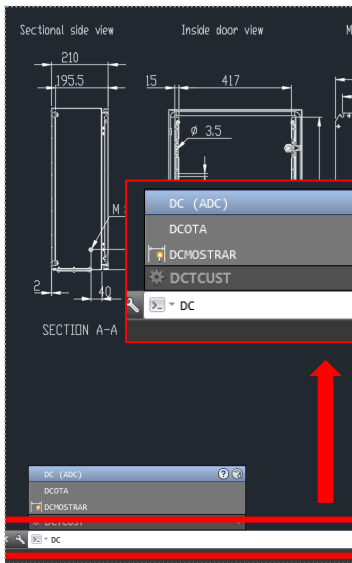
Following steps are applicable does not matter what kind of DXF has been downloaded from the nVent HOFFMAN website.

Set the main parameters

Once you have downloaded the drawing from our website, open it with AutoCAD. Before defining what you want to machine, it is very important to check two main parameters:

- Units should be set in mm. To check this, type "Units" in the command line (2.1) and press <Enter>. A window (2.2) will appear on your screen. Please ensure millimeters is selected;
- Check the scale (2.3) and make sure it is 1:1.



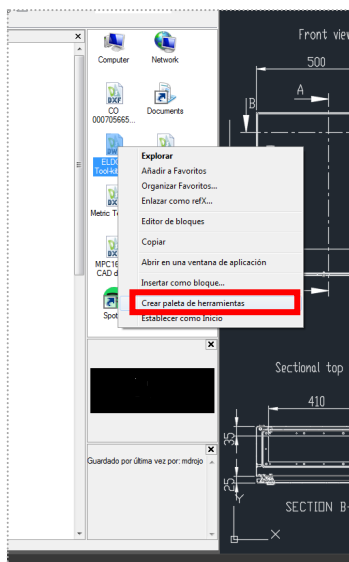
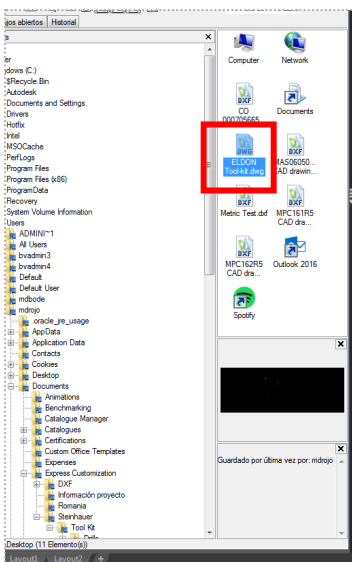


Step 3

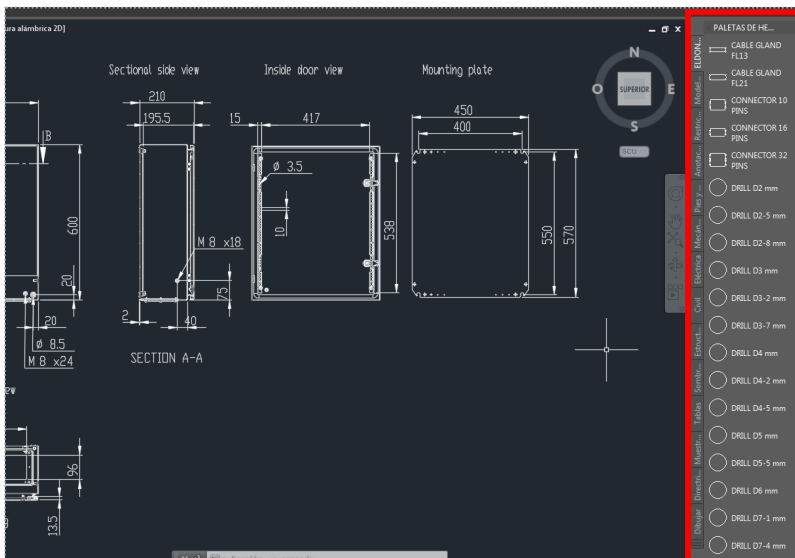
Create an nVent HOFFMAN tool palette

After setting scale and units, go to the command line again and type “DC” (Design Center).

Design Center will appear on the left-hand side.



Look for the [nVent Hoffman Tool-kit.dwg](#) file previously downloaded, right-click on it and select “Create a tool palette”.



A new sidebar will appear on the right-hand side with all the blocks included in [nVent HOFFMAN ToolKit](#).

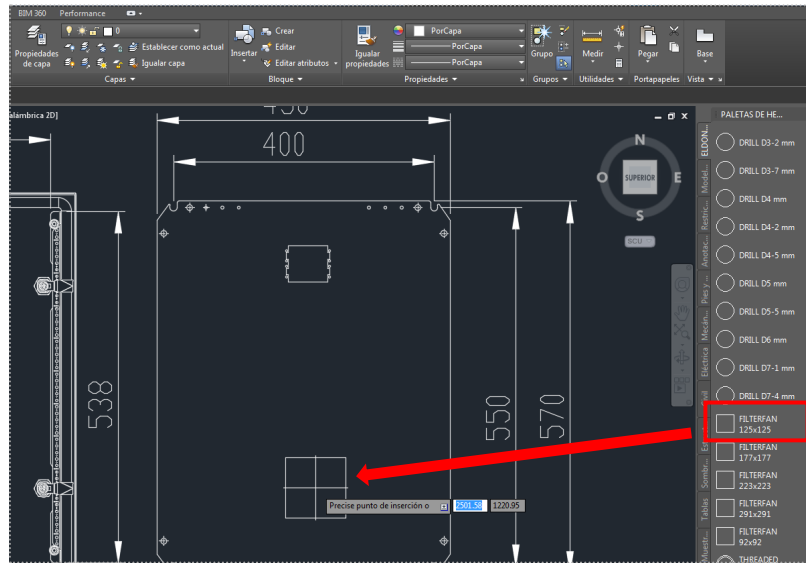
Step 4

Insert blocks

To insert a block, select it, and click where you want to machine the enclosure, or specify the coordinates of its center.

NOTE: A block is referenced by its center.

Repeat as many times as required, using different blocks or the same one.



Annex

Machining operations included in [nVent HOFFMAN Tool-kit.dwg](#).

NOTE: In addition to these operations, customers are able to define different cut-out shapes, holes, etc., to meet their specific needs.

	Threaded Hole	Drill Hole	Filter Fan	Cable Gland
Symbol				
Size	M3 M4 M5 M6 M8	φ2.0, φ2.5, φ2.8, φ3.0, φ3.2, φ3.7, φ4.0, φ4.2, φ4.5, φ5.0, φ5.5, φ6.0, φ7.1, φ7.4, φ8.0, φ10.0, φ12.0, φ16.0, φ20.0, φ22.5, φ30.0	92 x 92 125 x 125 177 x 177 223 x 223 291 x 291	FL13 FL21 FL33

	Harting Connectors			Pushbuttons or Pilot Light
Symbol				
Size	10 pins	16 pins	32 pins	φ22.5

Our powerful portfolio of brands:

CADDY ERICO HOFFMAN RAYCHEM SCHROFF TRACER



eldon.com
HOFFMAN.nVent.com