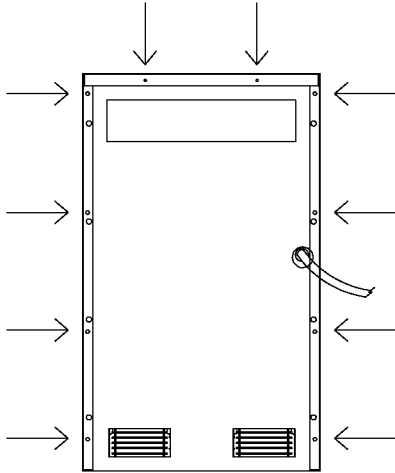




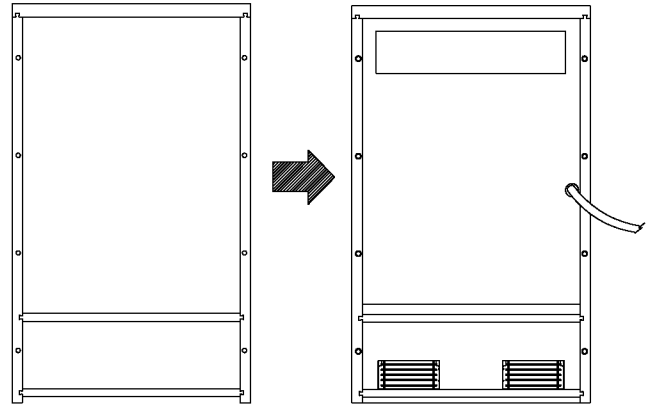
M28 TOP/BOTTOM MOUNTING ADAPTER PLATE - SCREW MOUNT

INSTALLATION INSTRUCTIONS

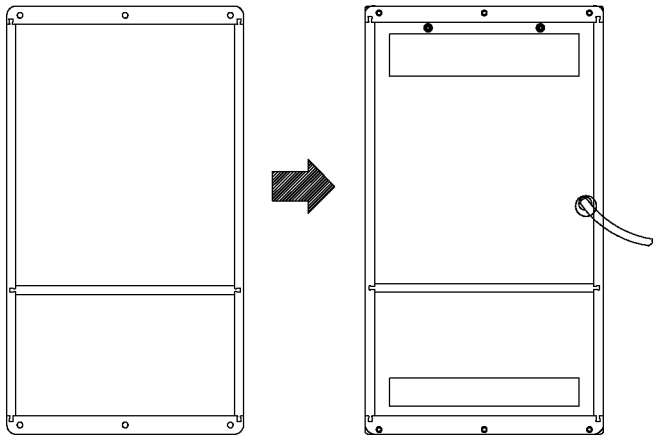
1) Remove 10 screws from unit.



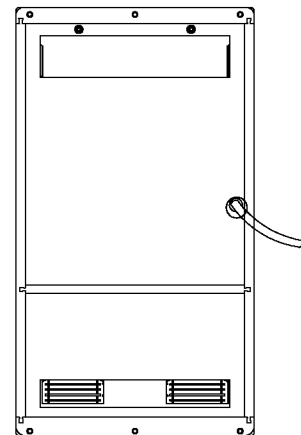
2) Apply gasket kit (28-1000-50) to rear of unit. Be sure the holes in the gasket align with the holes in unit. This gasket will be "sandwiched" between the unit and adapter plate.



3) Apply gasket kit (28-1056-07) to adapter plate (28-2321-0X). This gasket will be "sandwiched" between the adapter plate and the enclosure.



4) Apply adapter plate to unit using 10 screws.



5) Mount unit with adapter plate to enclosure.