

# Replacement and Spare Parts Catalog

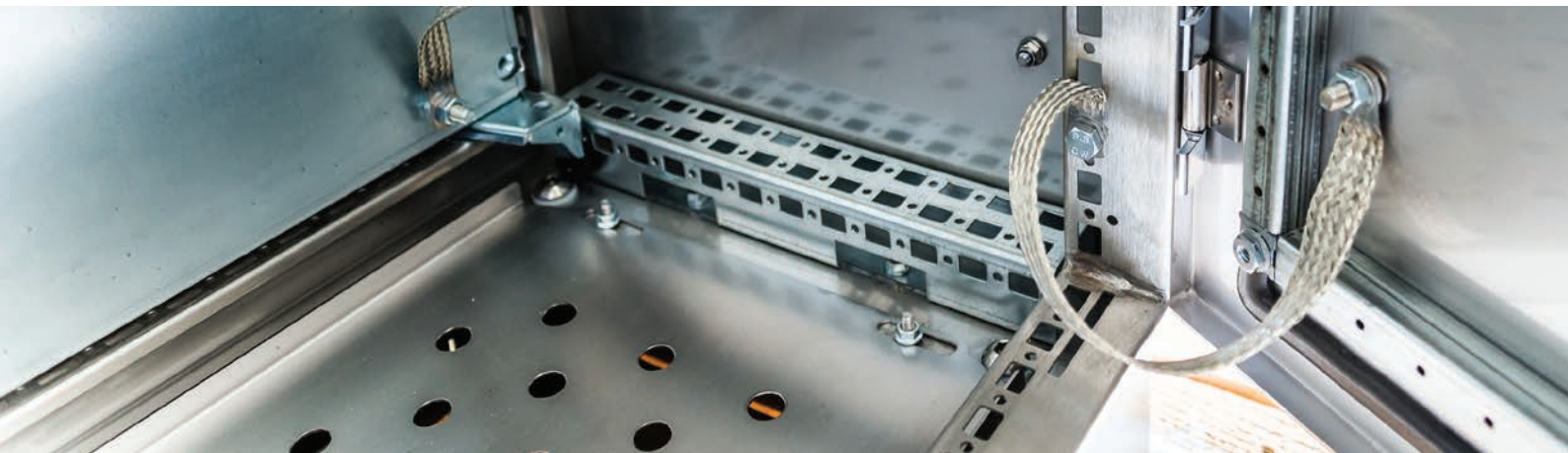




# The nVent HOFFMAN brand offers the right enclosure solution for virtually any application

Rely on innovative nVent HOFFMAN enclosure, climate control and panel shop automation solutions to protect, connect and manage heat in critical electronics, communications, control, and power equipment to keep your systems running smoothly.

All solutions are designed to make it easier, safer and more cost-effective for our customers to do business.



nVent is dedicated to delivering the most comprehensive range of superior quality, cost-effective products to customers. As part of that commitment, we support you every step of the way, from the simplest to the most complex solutions.

We also provide detailed guidance and quotations, so you understand the purpose and cost of the whole solution, including each component.

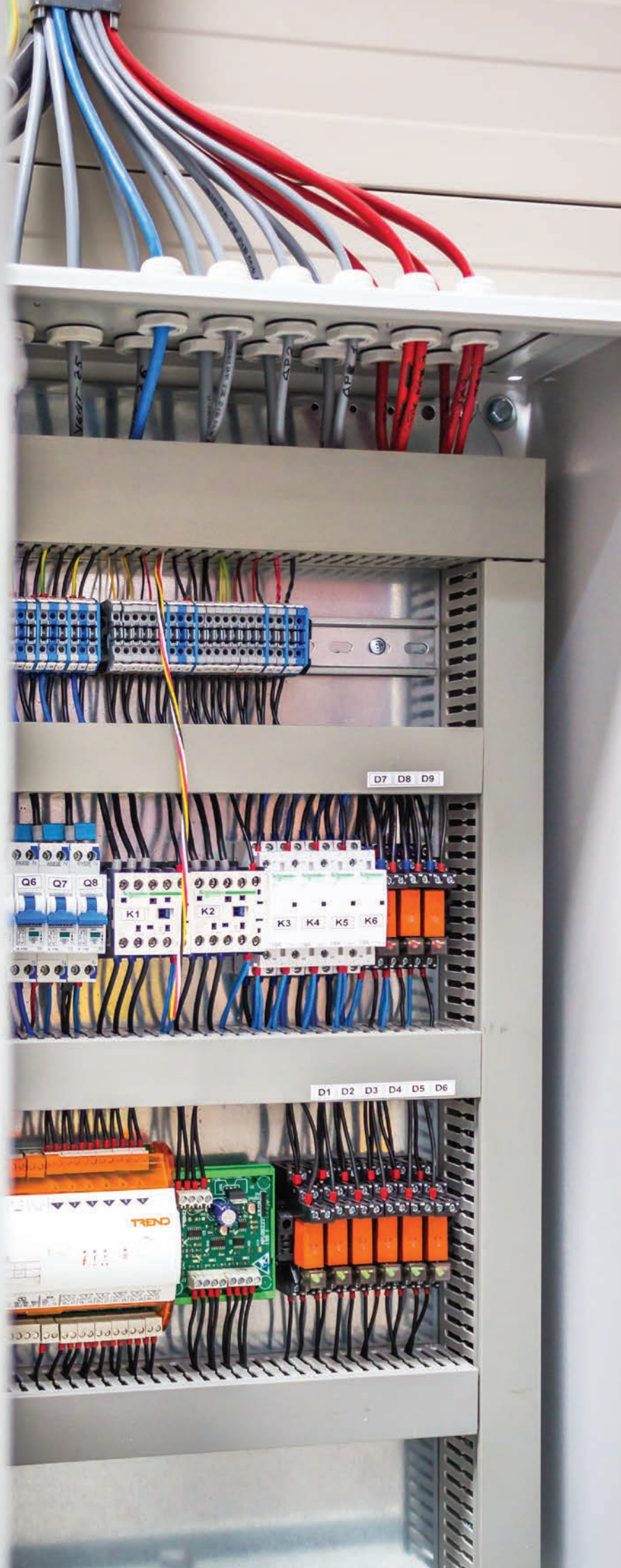
## Assembly services to reduce costs

To further support our customers, we provide assembly services for both standard and custom-designed accessories.

The assembly services include engineering with you, creating drawings and 3D CAD models, and developing prototypes to ensure functionality, specifications and budget are met.

## Your benefits:

- Comprehensive range of industry-leading solutions
- 16,000+ standard products with large in-stock selection
- Full certification
- Convenient customization services
- Local inventories for faster shipping



# Replacement and Spare Parts Catalog

In each of the following sections, you can find a solution overview and an easy-to-use, at-a-glance complete listing of replacement and spare parts for our inventive nVent HOFFMAN electrical solutions.

## 01 Wall Mounted Enclosures

<b>Overview</b>	<b>7</b>
Mild steel	8
Stainless steel	12
<b>Replacement parts</b>	<b>19</b>
<b>Spare parts</b>	<b>33</b>



## 02 Floor Standing Enclosures

<b>Overview</b>	<b>51</b>
Mild steel	52
Stainless steel	58
<b>Replacement parts</b>	<b>63</b>
<b>Spare parts</b>	<b>81</b>



## 03 Terminal boxes

<b>Overview</b>	<b>103</b>
<b>Spare parts</b>	<b>104</b>



## 04 Panel Shop Automation

<b>Overview</b>	<b>111</b>
ModCenter	112
<b>Consumables</b>	<b>116</b>
<b>Spare parts</b>	<b>121</b>
<b>Wire processing machines</b>	<b>129</b>





# Wall Mounted Enclosures

Practical, efficient and available in stock in a wide range of standard sizes and accessories, nVent HOFFMAN Wall Mounted enclosures offer a user-friendly solution for virtually any application. They also can be easily customized to suit your application's specific requirements.

The portfolio includes a wide range of stainless steel enclosures ideally suited for protecting electrical control equipment in harsh and corrosive environments.

## Wall Mounted Enclosures

### Overview

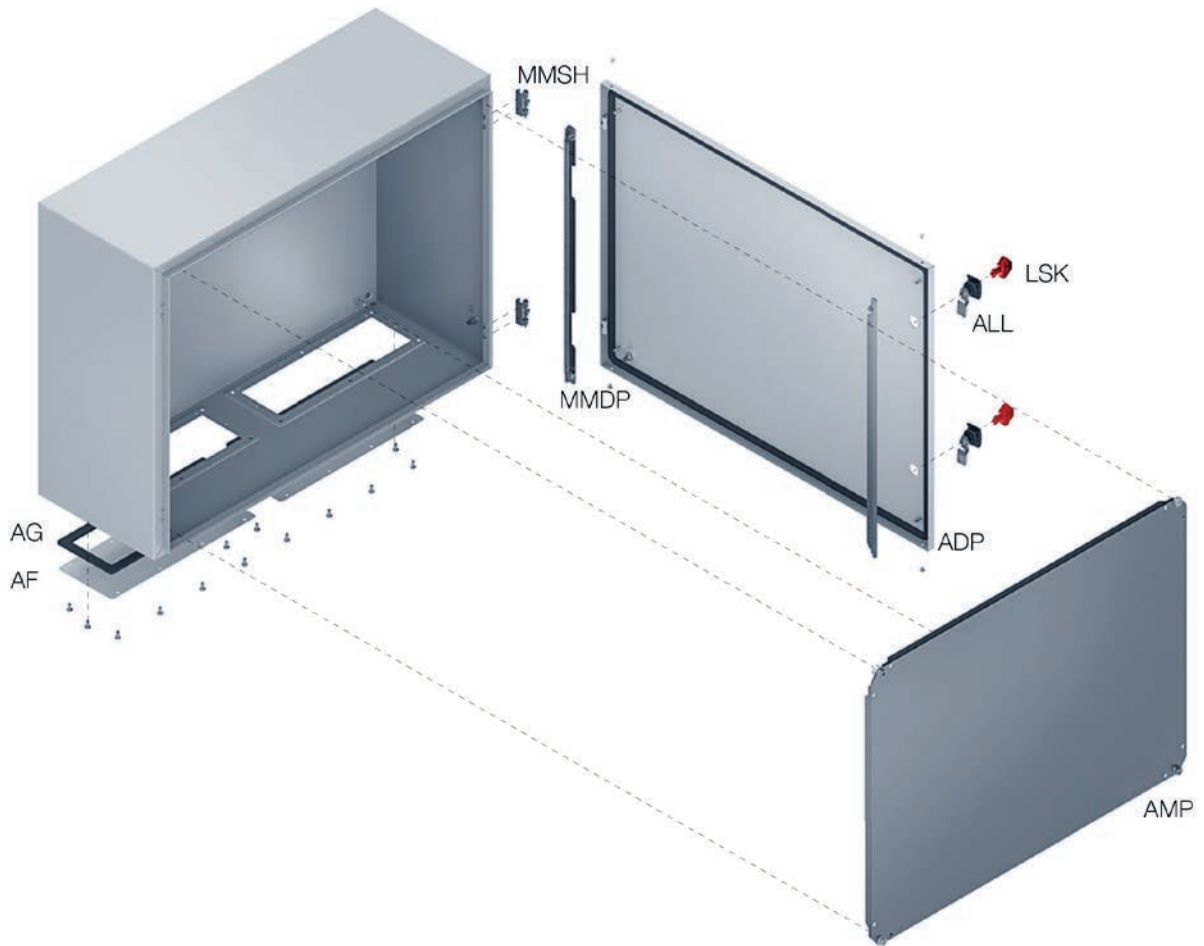
Mild steel	Single door   MAS	8
	Double door enclosure   MAD	10
	Panel   MAP	11
Stainless steel	Single door enclosure   ASR	12
	Double door enclosure   ADR	14
	Single door enclosure, integrated hood   AFS	15
	Single door enclosure, hygienic design   HDW	16
<b>Replacement parts</b>		<b>19</b>
<b>Spare parts</b>		<b>33</b>

# Wall Mounted Enclosures

## Mild steel

### Single door enclosure | MAS

#### Simple lock



Replacement part	Description	Page No.
ADP	MAS standard door	20
ALL	Standard lock	24
LSK	Standard key	26
MMSH	Standard hinges	26
AF	Standard gland plate	26
AG	Gland plate gasket	27
AMP	Mounting plate	28
MMDP	Door mounting profiles	30
MMAK	Accessories kit	30



# Wall Mounted Enclosures

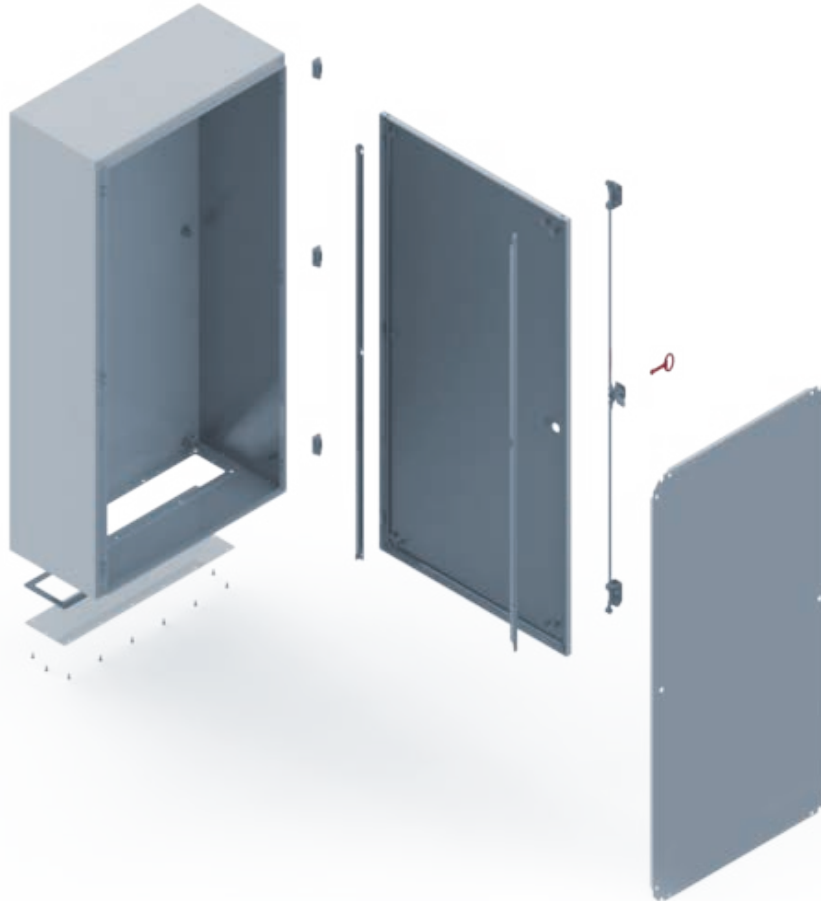
## Mild steel

### Single door enclosure | MAS

# 01

Wall Mounted Enclosures

3 points espagnolette locking system

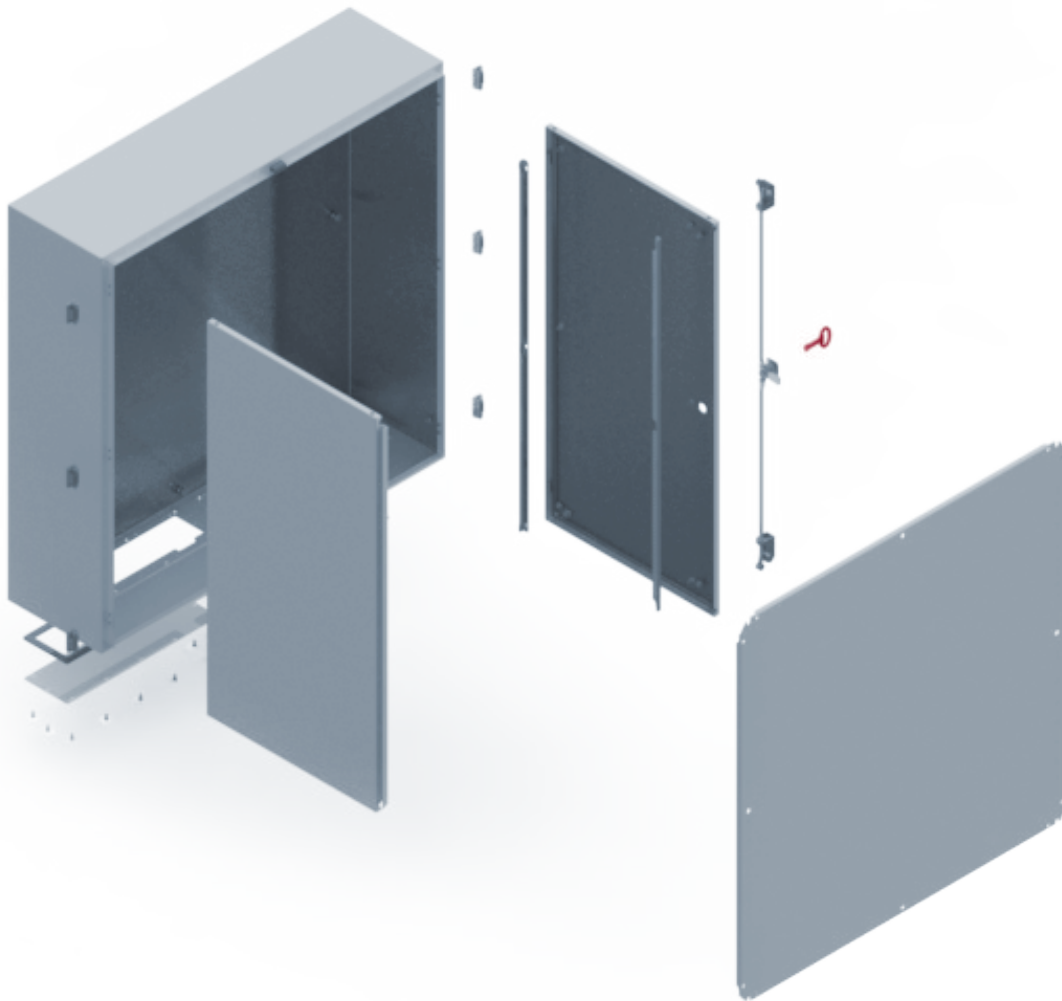


Replacement part	Description	Page No.
ADP	MAS standard door	20
MASLS	MAS standard espagnolette locking system	25
LSK	Standard key	26
MMSH	Standard hinges	26
AF	Standard gland plate	26
AG	Gland plate gasket	27
AMP	Mounting plate	28
MMDP	Door mounting profiles	30
MMAK	Accessories kit	30

# Wall Mounted Enclosures

## Mild steel

### Double door enclosure | MAD



Replacement part	Description	Page No.
ADP	MAD standard door	20
MADLS	MAD standard espagnolette locking system	25
LSK	Standard key	26
MMSH	Standard hinges	26
AF	Standard gland plate	26
AG	Gland plate gasket	27
AMP	Mounting plate	28
MMDP	Door mounting profiles	30
MMAK	Accessories kit	30

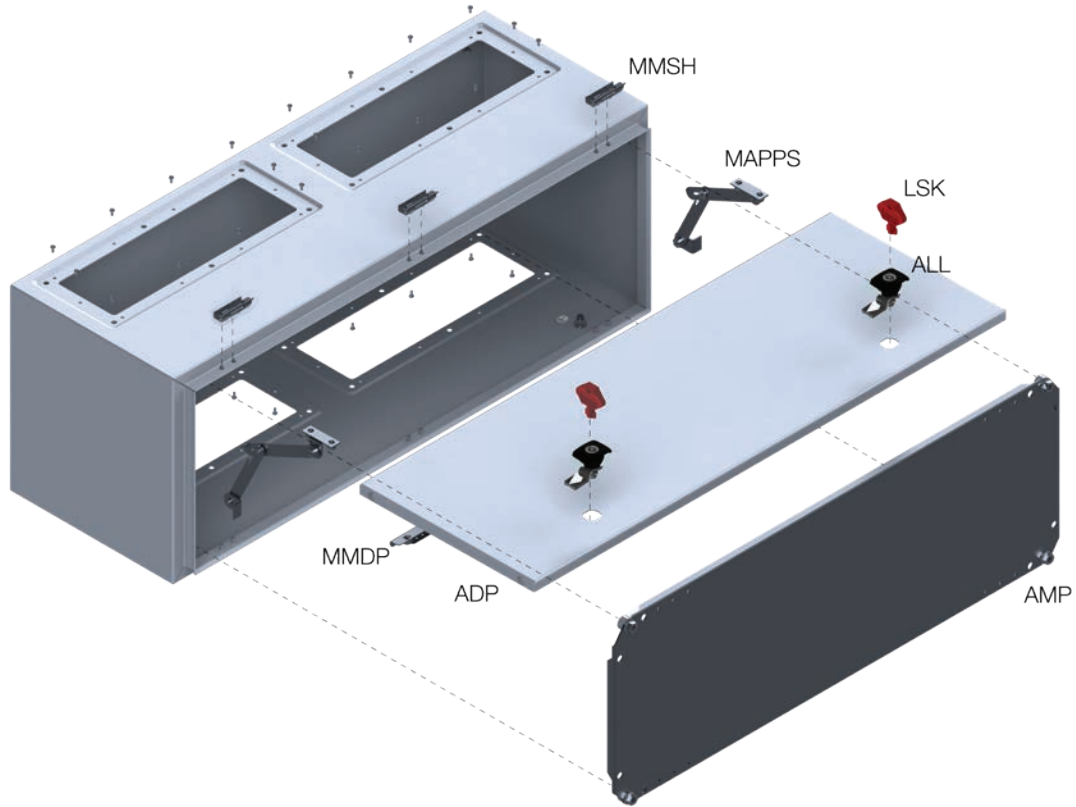
# Wall Mounted Enclosures

## Mild steel

### Panel | MAP

# 01

Wall Mounted Enclosures



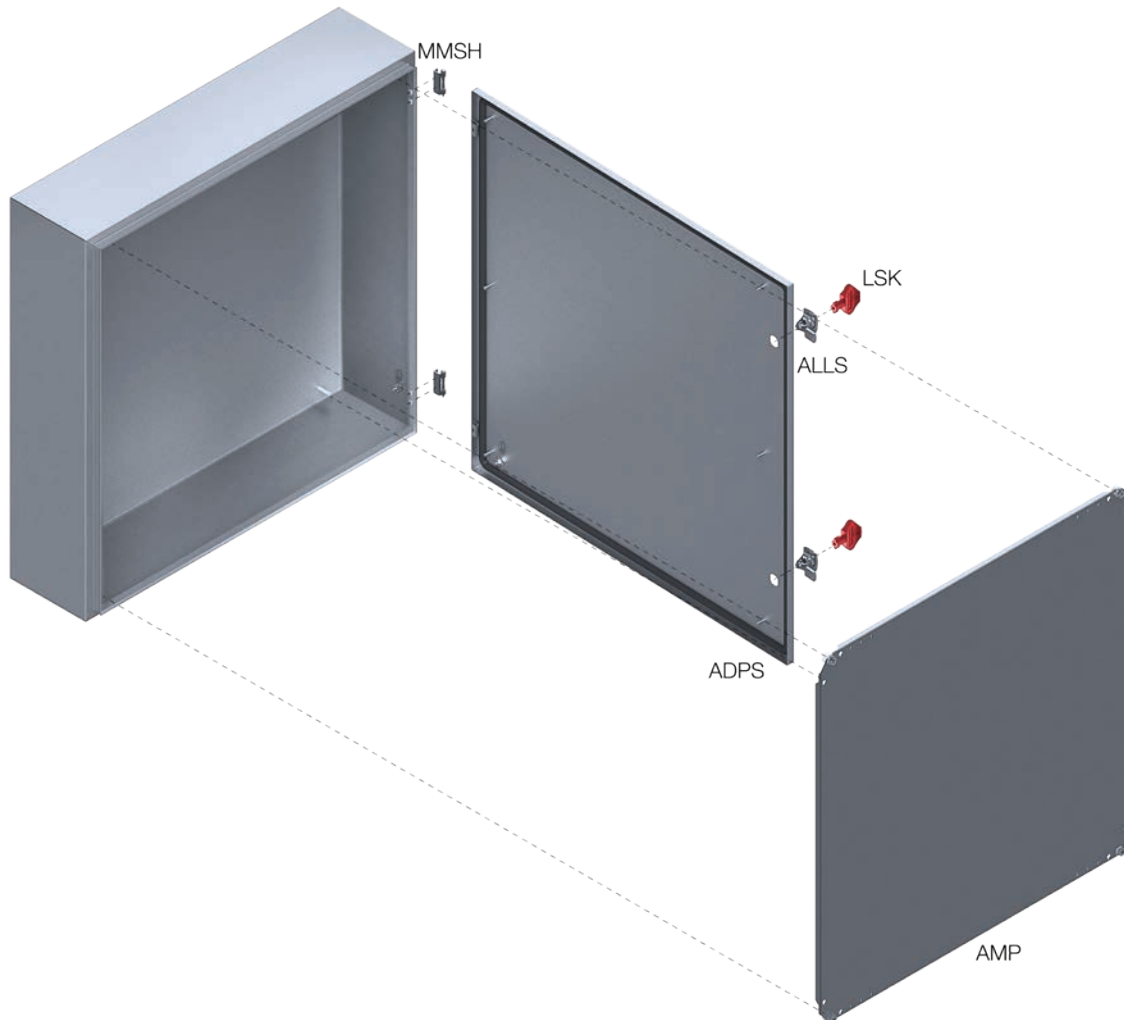
Replacement part	Description	Page No.
ADP	MAP standard door	20
ALL	Standard lock	24
LSK	Standard key	26
MMSH	Standard hinges	26
AMP	Mounting plate	28
MMDP	Door mounting profiles	30
MAPPS	MAP panel stay	31
MMAK	Accessories kit	30

# Wall Mounted Enclosures

## Stainless steel

### Single door enclosure | ASR

#### Simple lock



Replacement part	Description	Page No.
ADPS	ASR standard door	22
ALLS	ASR standard lock	24
LSK	Standard key	26
MMSH	Standard hinges	26
AMP	Mounting plate	28
MMAK	Accessories kit	30

# Wall Mounted Enclosures

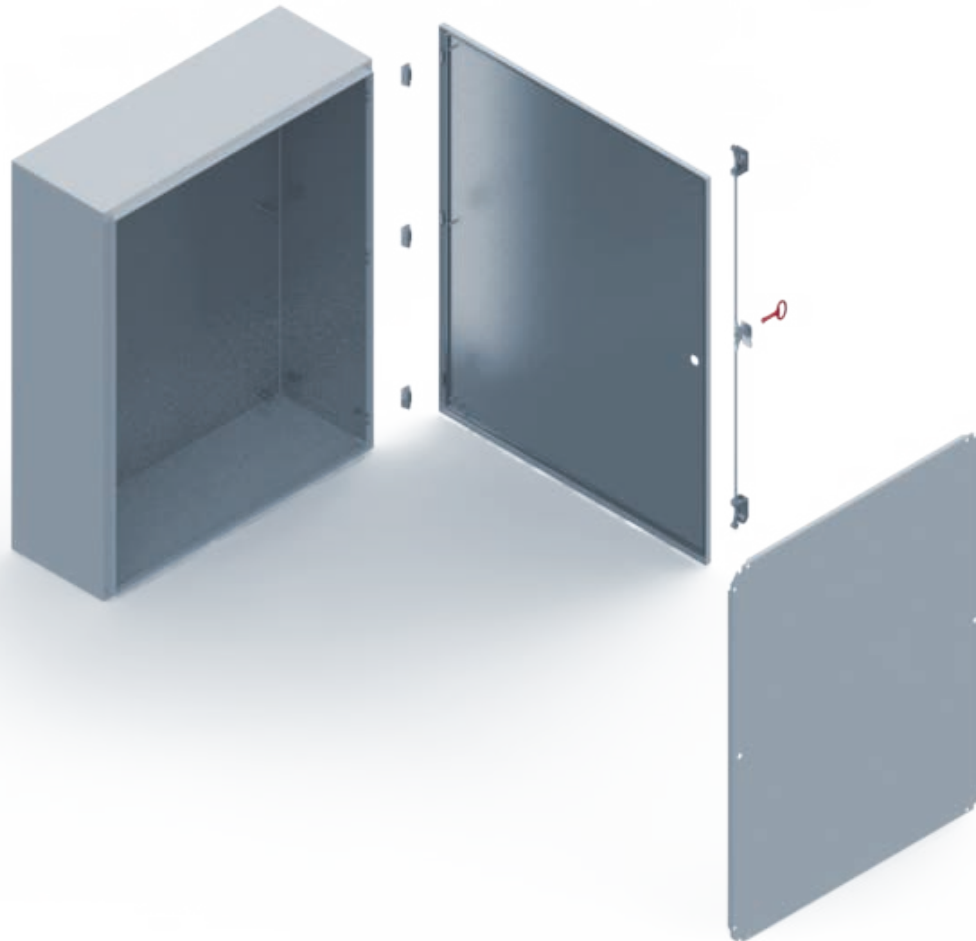
## Stainless steel

### Single door enclosure | ASR

# 01

Wall Mounted Enclosures

3 points espagnolette locking system

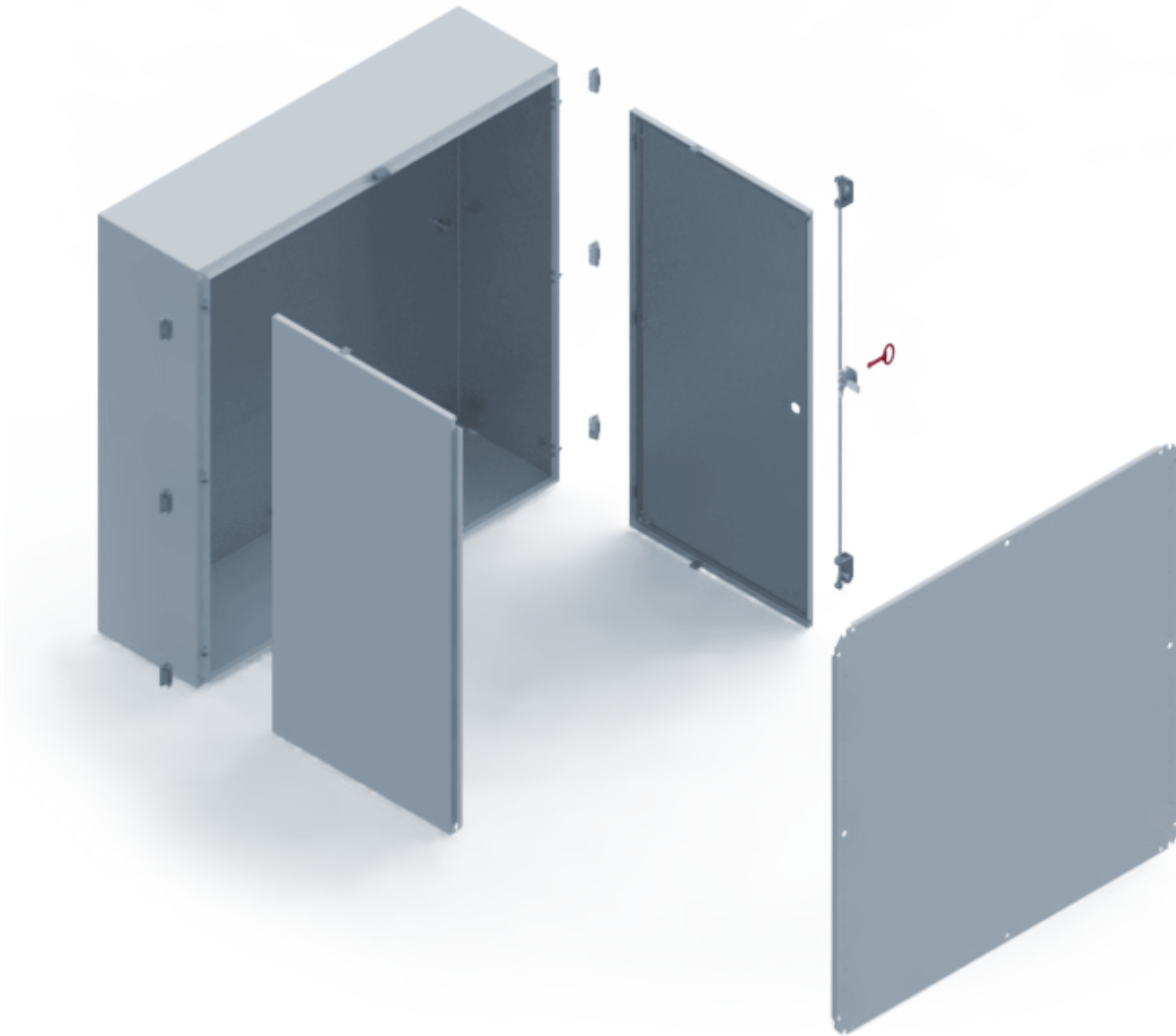


Replacement part	Description	Page No.
ADPS	ASR standard door	22
ASRLS	ASR standard espagnolette locking system	25
LSK	Standard key	26
MMSH	Standard hinges	26
AMP	Mounting plate	28
MMAK	Accessories kit	30

# Wall Mounted Enclosures

## Stainless steel

### Double door enclosure | ADR



Replacement part	Description	Page No.
ADPS	ADR standard door	22
ADRLS	ADR standard espagnolette locking system	25
LSK	Standard key	26
MMSH	Standard hinges	26
AMP	Mounting plate	28
MMAK	Accessories kit	30

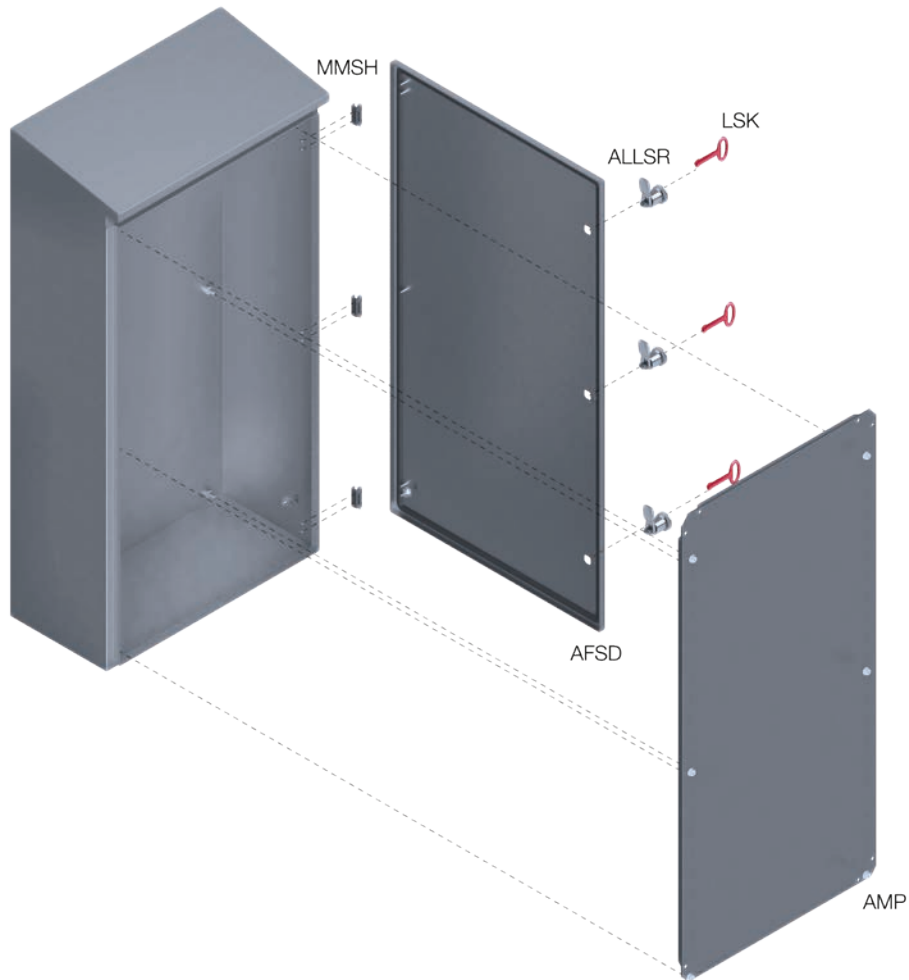
# Wall Mounted Enclosures

## Stainless steel

Single door enclosure, integrated hood | AFS

# 01

Wall Mounted Enclosures

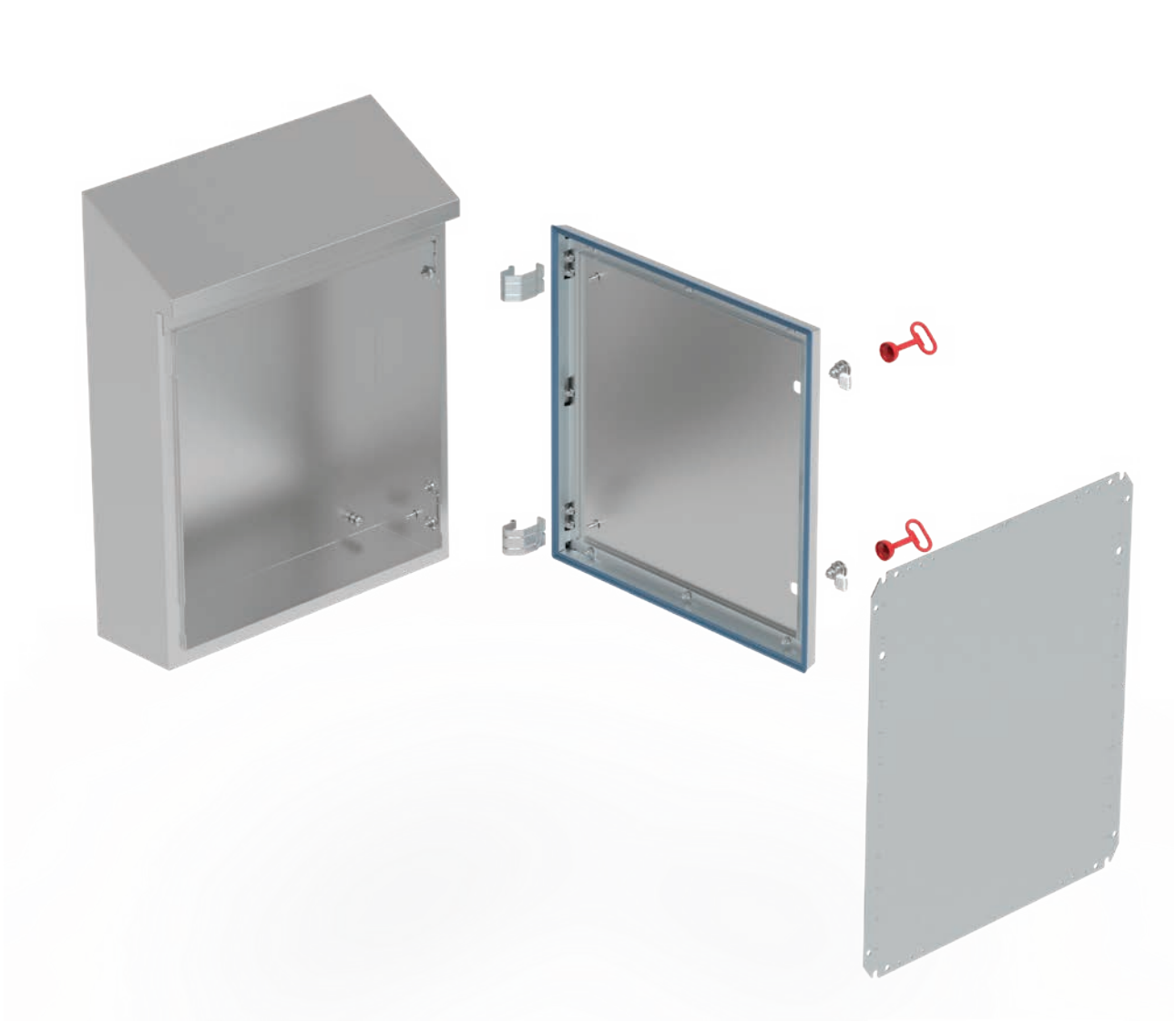


Replacement part	Description	Page No.
AFSD	AFS standard door	23
ALLSR	AFS standard lock	24
LSK	Standard key	26
MMSH	Standard hinges	26
AFSM	AFS Mounting plate	29
MMAK	Accessories kit	30

# Wall Mounted Enclosures

## Stainless steel

Single door enclosure, hygienic design | HDW



Replacement part	Description	Page No.
HDWD	HDW standard door	23
ALLSHD	HD standard lock	24
LSKH	HD standard key	27
MMSHD	HDW standard hinge	27
HDWM	HDW mounting plate	29
MMAK24HD	Accessories kit HDW	30



One piece gasket easy  
to remove for cleaning





# Wall Mounted Enclosures

## Replacement parts

# 01

Wall Mounted Enclosures

### Replacement parts

MAS standard door   ADP	20
MAD standard door   ADP	21
MAP standard door   ADP	21
ASR standard door   ADPS	22
ADR standard door   ADPS	22
AFS standard door   AFSD	23
HDW standard door   HDWD	23
Standard lock   ALL	24
ASR standard lock   ALLS	24
AFS standard lock   ALLSR	24
HD standard lock   ALLSHD	24
MAS standard espagnolette locking system   MASLS	25
MAD standard espagnolette locking system   MADLS	25
ASR standard espagnolette locking system   ASRLS	25
ADR standard espagnolette locking system   ADRLS	25
Standard key   LSK	26
Standard hinges   MMSH	26
Standard gland plate   AF	26
Gland plate gasket   AG	27
HD standard key   LSKHD	27
HD standard hinge   MMSHD	27
Mounting plate   AMP	28
AFS mounting plate   AFSM	29
HDW mounting plate   HDWM	29
Door mounting profiles   MMDP	30
Accessories kit   MMAK	30
MAP panel stay   MAPPS	31
HDW Door gasket   HDWG	31

# Wall Mounted Enclosures

## Replacement parts

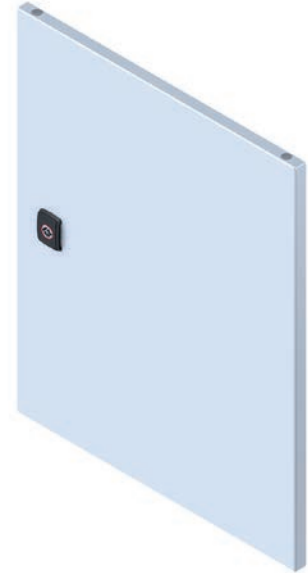
### MAS standard door | ADP

**Description:** Complete standard door for MAS enclosures. It includes standard locking system.

**Material:** Mild steel.

**Finish:** RAL7035 structure powder coating.

**Pack quantity:** 1 piece with mounting accessories.



Enclosure dimensions		
H	W	Part No.
200	200	ADP02020R5
250	200	ADP02520R5
	250	ADP02525R5
300	250	ADP03025R5
	300	ADP03030R5
	400	ADP03040R5
350	250	ADP03525R5
400	300	ADP04030R5
	400	ADP04040R5
	500	ADP04050R5
	600	ADP04060R5
500	300	ADP05030R5
	400	ADP05040R5
	500	ADP05050R5
600	400	ADP06040R5
	500	ADP06050R5
	600	ADP06060R5
	800	ADP06080R5
700	500	ADP07050R5
800	400	ADP08040R5
	600	ADP08060R5
	800	ADP08080R5
1000	600	ADP10060R5
	800	ADP10080R5
1200	600	ADP12060R5
	800	ADP12080R5

# Wall Mounted Enclosures

## Replacement parts

# 01

Wall Mounted Enclosures

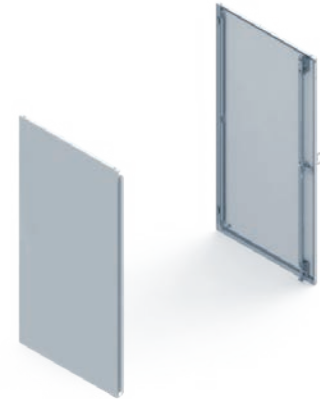
### MAD standard door | ADP

**Description:** Complete standard door for MAD enclosures. It includes standard locking system.

**Material:** Mild steel.

**Finish:** RAL7035 structure powder coating.

**Pack quantity:** 1 piece with mounting accessories.



Enclosure dimensions		
H	W	Part No.
<b>Right door</b>		
600	800	ADP06080RR5
800	1200	ADP08012RR5
1000	1000	ADP10010RR5
1200	1000	ADP12010RR5
1400	1000	ADP14010RR5
<b>Left door</b>		
600	800	ADP06080LR5
800	1200	ADP08012LR5
1000	1000	ADP10010LR5
1200	1000	ADP12010LR5
1400	1000	ADP14010LR5

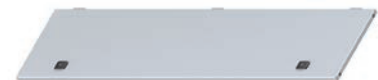
### MAP standard door | ADP

**Description:** Complete standard door for MAP enclosures. It includes standard locking system.

**Material:** Mild steel.

**Finish:** RAL7035 structure powder coating.

**Pack quantity:** 1 piece with mounting accessories.



Enclosure dimensions		
H	W	Part No.
300	600	ADP03060R5
	800	ADP03080R5
	1000	ADP03010R5
	1200	ADP03012R5

# Wall Mounted Enclosures

## Replacement parts

### ASR standard door | ADPS

**Description:** Complete standard door for ASR enclosures. It includes standard locking system.

**Material:** AISI 304L | AISI 316L stainless steel.

**Pack quantity:** 1 piece with mounting accessories.



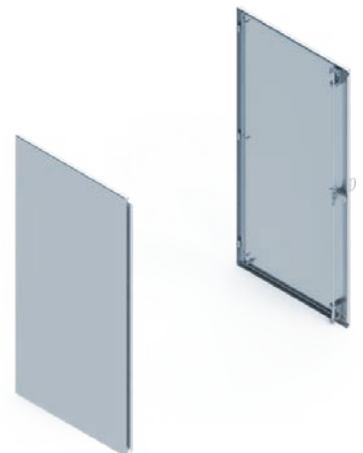
Enclosure dimensions		Part No.	Part No.
H	W		
180	240	ADPS01824	ADPS01824-316
240	240	ADPS02424	ADPS02424-316
	360	ADPS02436	ADPS02436-316
300	200	ADPS03020	ADPS03020-316
360	240	ADPS03624	ADPS03624-316
400	300	ADPS04030	ADPS04030-316
	400	ADPS04040	ADPS04040-316
	600	ADPS04060	ADPS04060-316
500	400	ADPS05040	ADPS05040-316
	500	ADPS05050	ADPS05050-316
600	400	ADPS06040	ADPS06040-316
	600	ADPS06060	ADPS06060-316
	800	ADPS06080	ADPS06080-316
800	600	ADPS08060	ADPS08060-316
	800	ADPS08080	ADPS08080-316
1000	800	ADPS10080	ADPS10080-316
1200	800	ADPS12080	ADPS12080-316
1400	800	ADPS14080	ADPS14080-316

### ADR standard door | ADPS

**Description:** Complete standard door for ADR enclosures. It includes standard locking system.

**Material:** AISI 304L | AISI 316L stainless steel.

**Pack quantity:** 1 piece with mounting accessories.



Enclosure dimensions		Part No.	Part No.
H	W		
<b>Left door</b>			
1000	1000	ADPS10010L	ADPS10010L-316
1000	1200	ADPS10012L	ADPS10012L-316
1200	1200	ADPS12012L	ADPS12012L-316
<b>Right door</b>			
1000	1000	ADPS10010R	ADPS10010R-316
1000	1200	ADPS10012R	ADPS10012R-316
1200	1200	ADPS12012R	ADPS12012R-316

# Wall Mounted Enclosures

## Replacement parts

# 01

Wall Mounted Enclosures

### AFS standard door | AFSD

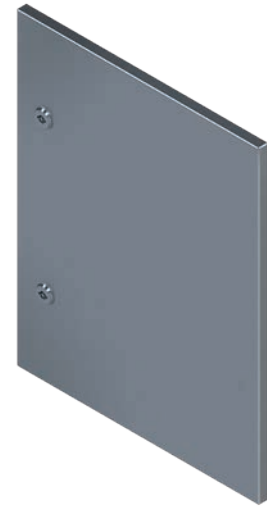
**Description:** Complete standard door for AFS enclosures. It includes standard locking system.

**Material:** AISI 304L stainless steel. AISI 316L stainless steel available on request.

**Pack quantity:** 1 piece with mounting accessories.

Enclosure dimensions		Part No.	Part No.
H	W		
300	200	AFSD0302	AFSD0302-316*
400	300	AFSD0403	AFSD0403-316*
	400	AFSD0404	AFSD0404-316*
	600	AFSD0406	AFSD0406-316*
500	500	AFSD0505	AFSD0505-316*
600	400	AFSD0604	AFSD0604-316*
	600	AFSD0606	AFSD0606-316*
	800	AFSD0608	AFSD0608-316*
800	600	AFSD0806	AFSD0806-316*
	800	AFSD0808	AFSD0808-316*
1000	800	AFSD1008	AFSD1008-316*
1200	600	AFSD1206	AFSD1206-316*
	800	AFSD1208	AFSD1208-316*
1400	800	AFSD1408	AFSD1408-316*

\* Delivery times upon request



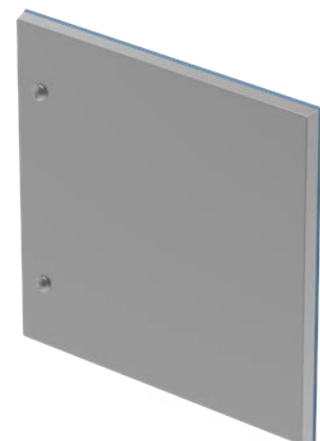
### HDW standard door | HDWD

**Description:** Complete standard door for HDW enclosures. It includes standard locking system.

**Material:** AISI 304L stainless steel.

**Pack quantity:** 1 piece with mounting accessories.

Enclosure dimensions		Part No.
H	W	
442	220	HDWD04422B
552	390	HDWD05539B
552	810	HDWD05581B
605	610	HDWD06061B
672	510	HDWD06751B
772	390	HDWD07739B
772	610	HDWD07761B
825	810	HDWD08281B
1225	810	HDWD12281B
1425	810	HDWD14281B



# Wall Mounted Enclosures

## Replacement parts

### Standard lock | ALL

**Description:** Standard lock for MAS and MAP enclosures.

**Pack quantity:** 1 piece.

Description	Part No.
RAL 9005 painted Zamak	ALL503N



### ASR standard lock | ALLS

**Description:** Standard lock for ASR.

**Pack quantity:** 1 piece.

Description	Part No.
Chrome plated Zamak	ALLS503N



### AFS standard lock | ALLSR

**Description:** Standard lock for AFS enclosures.

**Pack quantity:** 1 piece.

Description	Part No.
Chrome plated	ALLSR503



### HD standard lock | ALLSHD

**Description:** Standard HD lock.

**Pack quantity:** 1 piece.

Description	Part No.
Stainless steel 316L and FDA silicone	ALLSHD503





# Wall Mounted Enclosures

## Replacement parts

# 01

Wall Mounted Enclosures

### MAS standard espagnolette locking system | MASLS

**Description:** Espagnolette locking system for MAS enclosures. It includes the espagnolette system, standard lock cover and standard insert.

**Pack quantity:** 1 locking system with mounting accessories.

Enclosure dimensions	Part No.
Enclosure height 1000	MASLS1000
Enclosure height 1200	MASLS1200

### MAD standard espagnolette locking system | MADLS

**Description:** Espagnolette locking system for MAD enclosures. It includes the espagnolette system, standard lock cover and standard insert.

**Pack quantity:** 1 locking system with mounting accessories.

Enclosure dimensions	Part No.
Enclosure height 600	MADLS0600
Enclosure height 800	MADLS0800
Enclosure height 1000	MADLS1000
Enclosure height 1200	MADLS1200
Enclosure height 1400	MADLS1400

### ASR standard espagnolette locking system | ASRLS

**Description:** Espagnolette locking system for ASR enclosures. It includes the espagnolette system, standard lock cover and standard insert.

**Pack quantity:** 1 locking system with mounting accessories.

Enclosure dimensions	Part No.
Enclosure height 1000	ASRLS1000
Enclosure height 1200	ASRLS1200
Enclosure height 1400	ASRLS1400

### ADR standard espagnolette locking system | ADRLS

**Description:** Espagnolette locking system for ADR enclosures. It includes the espagnolette system, standard lock cover and standard insert.

**Pack quantity:** 1 locking system with mounting accessories.

Enclosure dimensions	Part No.
Enclosure height 1000	ADRLS1000



# Wall Mounted Enclosures

## Replacement parts

### Standard key | LSK

**Description:** Key with nVent HOFFMAN logo. Easy to use design and provides a good grip.

**Pack quantity:** 1 piece.

Description	Part No.
Plastic double-bit 3 mm	LSK502
Metallic double-bit 3 mm	LSK503



### Standard hinges | MMSH

**Description:** Complete hinges to replace the standard one in the wall mounted range. It includes body hinge pin, and mounting material.

**Pack quantity:** 6 pieces with mounting accessories.

Description	Part No.
Zinc plated	MMSH06
Stainless steel	MMSH06SS



### Standard gland plate | AF

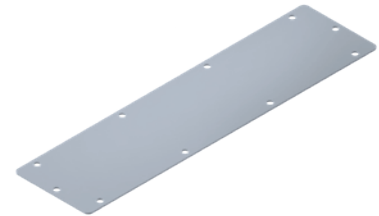
**Description:** Gland plate for the standard gland opening.

**Material:** 1.4 mm mild steel.

**Finish:** RAL7035 structure powder coating.

**Pack quantity:** 1 piece.

Size	For opening	Part No.
0S	110 x 56	AF00SR5
1S	210 x 56	AF01SR5
2S	310 x 56	AF02SR5
3S	410 x 56	AF03SR5
1	210 x 96	AF01R5
2	310 x 96	AF02R5
3	410 x 96	AF03R5
4	510 x 96	AF04R5



# Wall Mounted Enclosures

## Replacement parts

# 01

Wall Mounted Enclosures

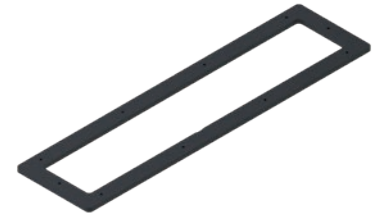
### Gland plate gasket | AG

**Description:** For standard gland plate opening.

**Material:** 4 mm polyethylene foam.

**Pack quantity:** 1 piece.

Size	For opening	Part No.
0 S	110 x 56	AG00S
1 S	210 x 56	AG01S
2 S	310 x 56	AG02S
3 S	410 x 56	AG03S
1	210 x 96	AG01
2	310 x 96	AG02
3	410 x 96	AG03
4	510 x 96	AG04



### HD standard key | LSKHD

**Description:** Key for HD lock.

**Pack quantity:** 1 piece.

Description	Part No.
Zamak	LSKHD01

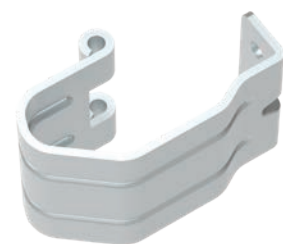


### HD standard hinge | MMSHD

**Description:** Complete hinge to replace the standard one in the wall mounted HDW range. It includes door hinge, body hinge, pin, and mounting material.

**Pack quantity:** 1 piece.

Description	Part No.
Galvanized steel	MMSHD01B



# Wall Mounted Enclosures

## Replacement parts

### Mounting plate | AMP

**Description:** Steel mounting plate for wall mounted enclosures. All sizes from 800 mm and above are strengthened by folded edges.

**Material:** Galvanized steel.

**Pack quantity:** 1 piece.



Enclosure dimensions		Mounting plate dimensions		Part No.
H	W	H	W	
180	240	150	190	AMP01824
200	200	170	150	AMP02020
240	240	210	190	AMP02424
	360	210	310	AMP02436
250	200	220	150	AMP02520
	250	220	200	AMP02525
300	200	270	150	AMP03020
	250	270	200	AMP03025
	300	270	250	AMP03030
	600	270	550	AMP03060
350	800	270	750	AMP03080
	1000	270	950	AMP03100
	1200	270	1150	AMP03120
	250	320	200	AMP03525
360	240	330	190	AMP03624
400	300	370	250	AMP04030
	400	370	350	AMP04040
	500	370	450	AMP04050
	600	370	550	AMP04060
	300	470	250	AMP05030
500	400	470	350	AMP05040
	500	470	450	AMP05050
	400	570	350	AMP06040
	500	570	450	AMP06050
600	600	570	550	AMP06060
	800	570	750	AMP06080
	500	670	450	AMP07050
	800	400	770	350
700	600	770	550	AMP08060
	800	770	750	AMP08080
	1200	770	1150	AMP08120
1000	600	970	550	AMP10060
	800	970	750	AMP10080
	1000	970	950	AMP10100
1200	1200	970	1150	AMP10120
	600	1170	550	AMP12060
	800	1170	750	AMP12080
1400	1000	1170	950	AMP12100
	800	1370	750	AMP14080
	1000	1370	950	AMP14100

# Wall Mounted Enclosures

## Replacement parts

# 01

Wall Mounted Enclosures

### AFS mounting plate | AFSM

**Description:** Steel mounting plate for AFS enclosures. All sizes from 800 mm and above are strengthened by folded edges.

**Material:** Galvanized steel.

**Pack quantity:** 1 piece.

Enclosure dimensions		Mounting plate dimension		Part No.
H	W	H	W	
300	200	275	150	AFSM0302
400	300	375	250	AFSM0403
	400	375	350	AFSM0404
	600	375	550	AFSM0406
500	500	475	450	AFSM0505
600	400	575	350	AFSM0604
	600	575	550	AFSM0606
	800	550	750	AFSM0608
800	600	750	550	AFSM0806
	800	750	750	AFSM0808
1000	800	950	750	AFSM1008
1200	600	1150	550	AFSM1206
	800	1150	750	AFSM1208
1400	800	1350	750	AFSM1408



### HDW mounting plate | HDWM

**Description:** Steel mounting plate for HDW wall mounted enclosures. All sizes from 800 mm and above are strengthened by folded edges.

**Material:** Galvanized steel.

**Pack quantity:** 1 piece.

Enclosure dimensions		Part No.
H	W	
442	220	HDWM04422
552	390	HDWM05539
552	810	HDWM05581
605	610	HDWM06061
672	510	HDWM06751
772	390	HDWM07739
772	610	HDWM07761
825	810	HDWM08281
1225	810	HDWM12281
1425	810	HDWM14281



# Wall Mounted Enclosures

## Replacement parts

### Door mounting profiles | MMDP

**Description:** To strengthen the door, mounted on the inside of the door on the M6 welded studs. Equipped with 10 mm hole pattern.

**Material:** 1.2 mm galvanized steel.

**Dimensions:** 15 x 14 mm.

**Pack quantity:** 1 pair with mounting accessories.

For enclosure	
H	Part No.
400	MMDP040
500	MMDP050
600	MMDP060
700	MMDP070
800	MMDP080
1000	MMDP100
1200	MMDP120
1400	MMDP140



### Accessories kit | MMAK

**Description:** Mounting accessories (screws for gland plate, spacers for mounting plate, washers, nuts) needed for each type of wall mounted enclosure. They are packed in one plastic bag.

**Pack quantity:** 1 kit.

Description	H	W	Part No.
For MAS	200-350	200-250	MMAK01R5
	200-800	300-400	MMAK02R5
	300-800	500-600	MMAK03R5
	1000-1200	600	MMAK04R5
	600-800	800	MMAK05R5
	1000-1200	800	MMAK06R5
For MAD			MMAK11R5
For MAP	300	600	MMAK16R5
	300	800-1200	MMAK17R5
			MMAK21R5
For ASR			MMAK22R5
For ADR			MMAK23R5
For AFS			MMAK24HD
For HDW			



# Wall Mounted Enclosures

## Replacement parts

# 01

Wall Mounted Enclosures

### MAP panel stay | MAPPS

**Description:** To secure the panel in the open position. Mounted directly on the panel profile studs.

**Pack quantity:** 1 piece with mounting accessories.



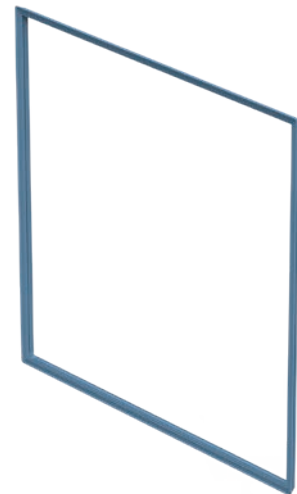
Description	Part No.
Zinc plated panel stay	MAPPS01

### HDW Door gasket | HDWG

**Description:** Door gasket for HDW enclosures. One piece with molded corners

**Material:** Blue silicone RAL 5010. FDA 21 CFR 177.2600 compliant.

**Pack quantity:** 1 piece.



Enclosure dimensions		Part No.
H	W	
442	220	HDWG04422B
552	390	HDWG05539B
552	810	HDWG05581B
605	610	HDWG06061B
672	510	HDWG06751B
772	390	HDWG07739B
772	610	HDWG07761B
825	810	HDWG08281B
1225	810	HDWG12281B
1425	810	HDWG14281B





# Wall Mounted Enclosures

## Spare parts

# 01

Wall Mounted Enclosures

### Spare parts

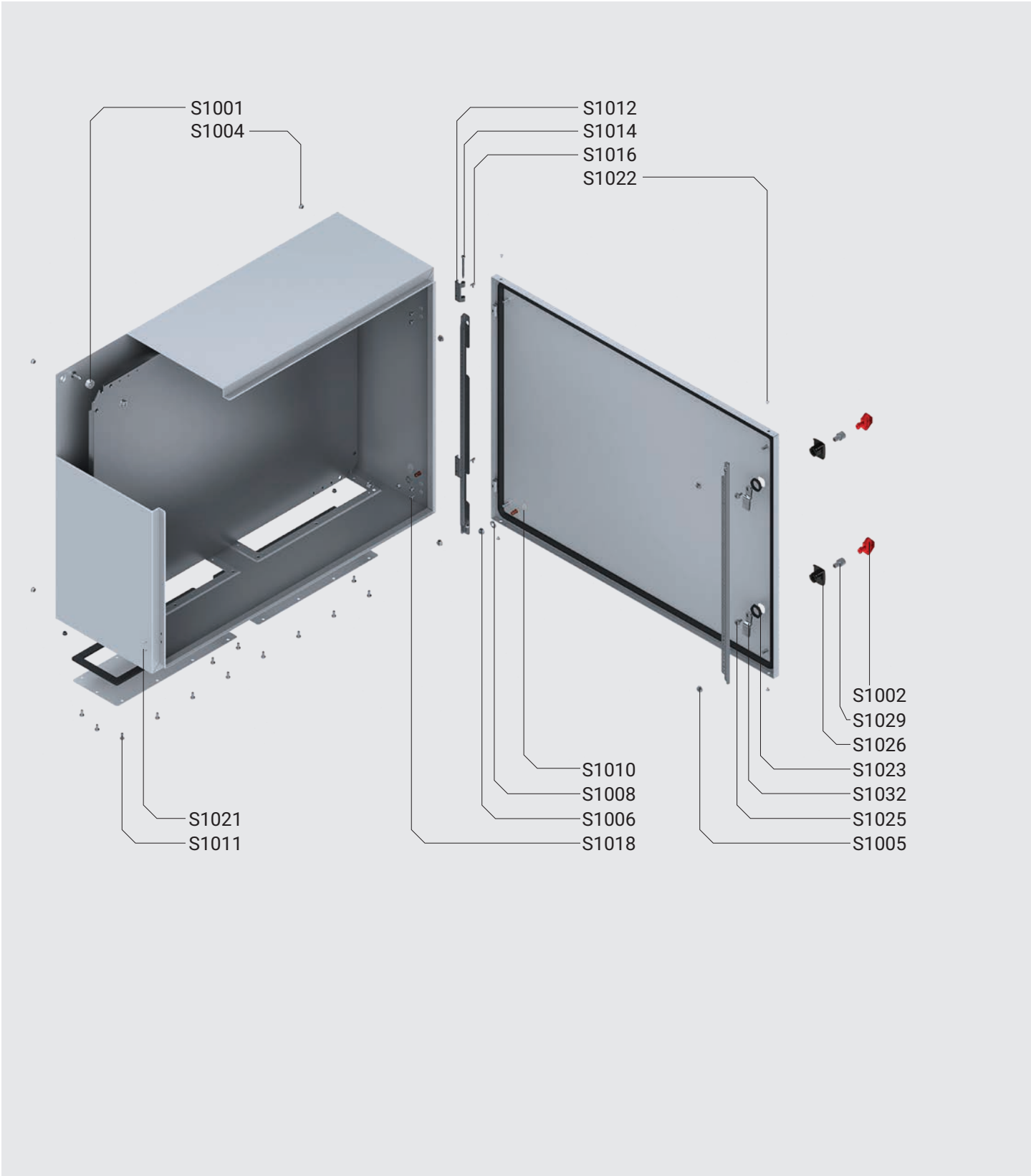
Single door enclosure   MAS	34
Double door enclosure   MAD	38
Panel   MAP	40
Single door enclosure   ASR	42
Double door enclosure   ADR	46
Single door enclosure with integrated hood   AFS	48

# Wall Mounted Enclosures | Spare parts

## Mild steel

### Single door enclosure | MAS

Simple lock



# 01

## Wall Mounted Enclosures

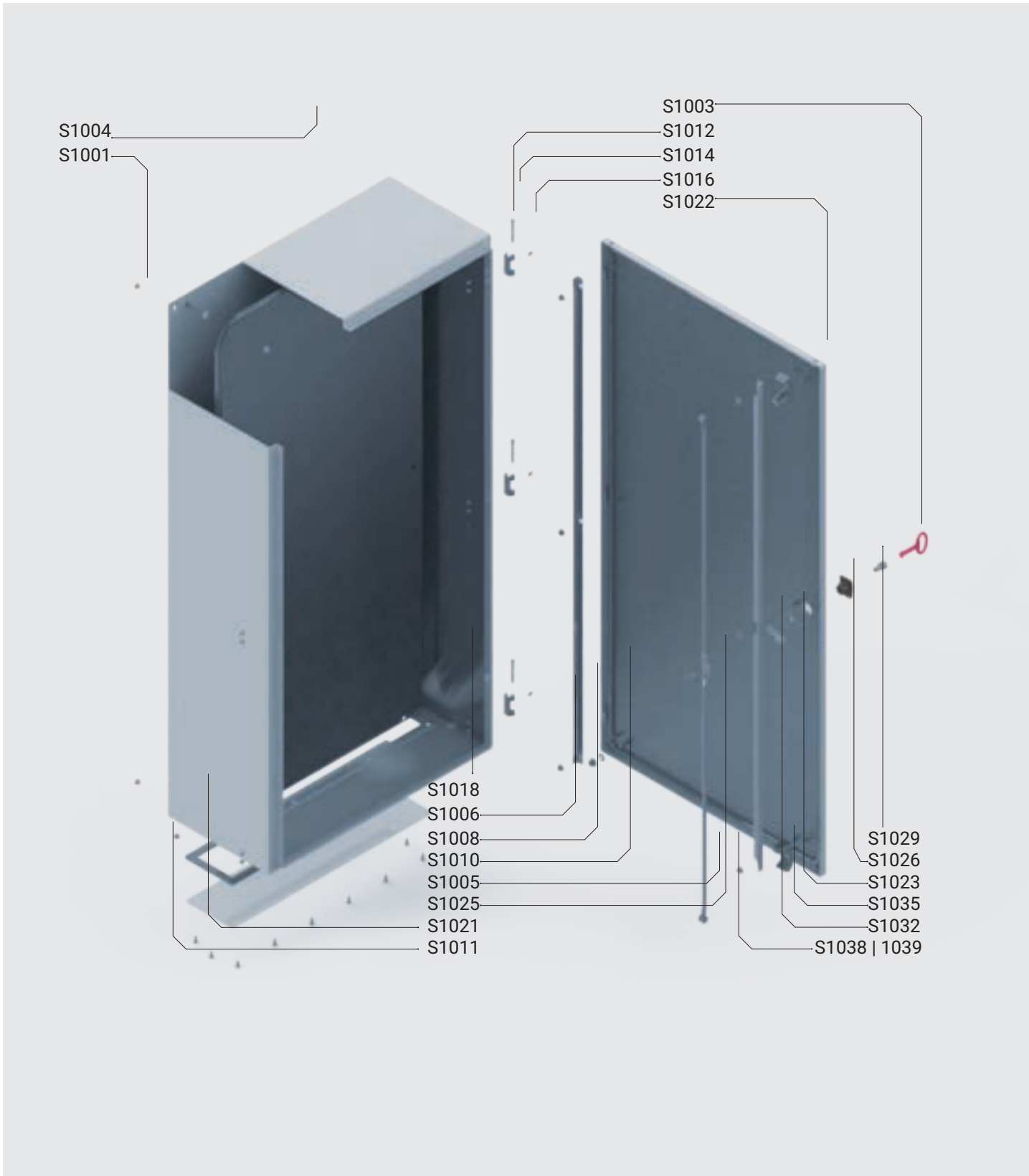
Spare part	Pack quantity	Description
S1001	50	Mounting plate spacer
S1002	50	Plastic key
S1004	50	Rear hole plug
S1005	50	M6 Nut
S1006	50	M8 Nut
S1008	50	M8 Earthing washer
S1010	100	Earthing label
S1011	100	Gland plate screw
S1012	25	Hinge arm
S1014	25	Hinge pin
S1016	50	Hinge clip
S1018	50	M5x6 hinge screw with nylon washer
S1021	50	Hinge hole plug
S1022	50	Door plug
S1023	50	Plastic lock nut
S1025	50	Lock screw
S1026	25	Zamak lock body and spring
S1029	25	Zamak chrome plated lock insert
S1032	25	MAS / MAP / ASR lock latch

# Wall Mounted Enclosures | Spare parts

## Mild steel

### Single door enclosure | MAS

3 points espagnolette locking system

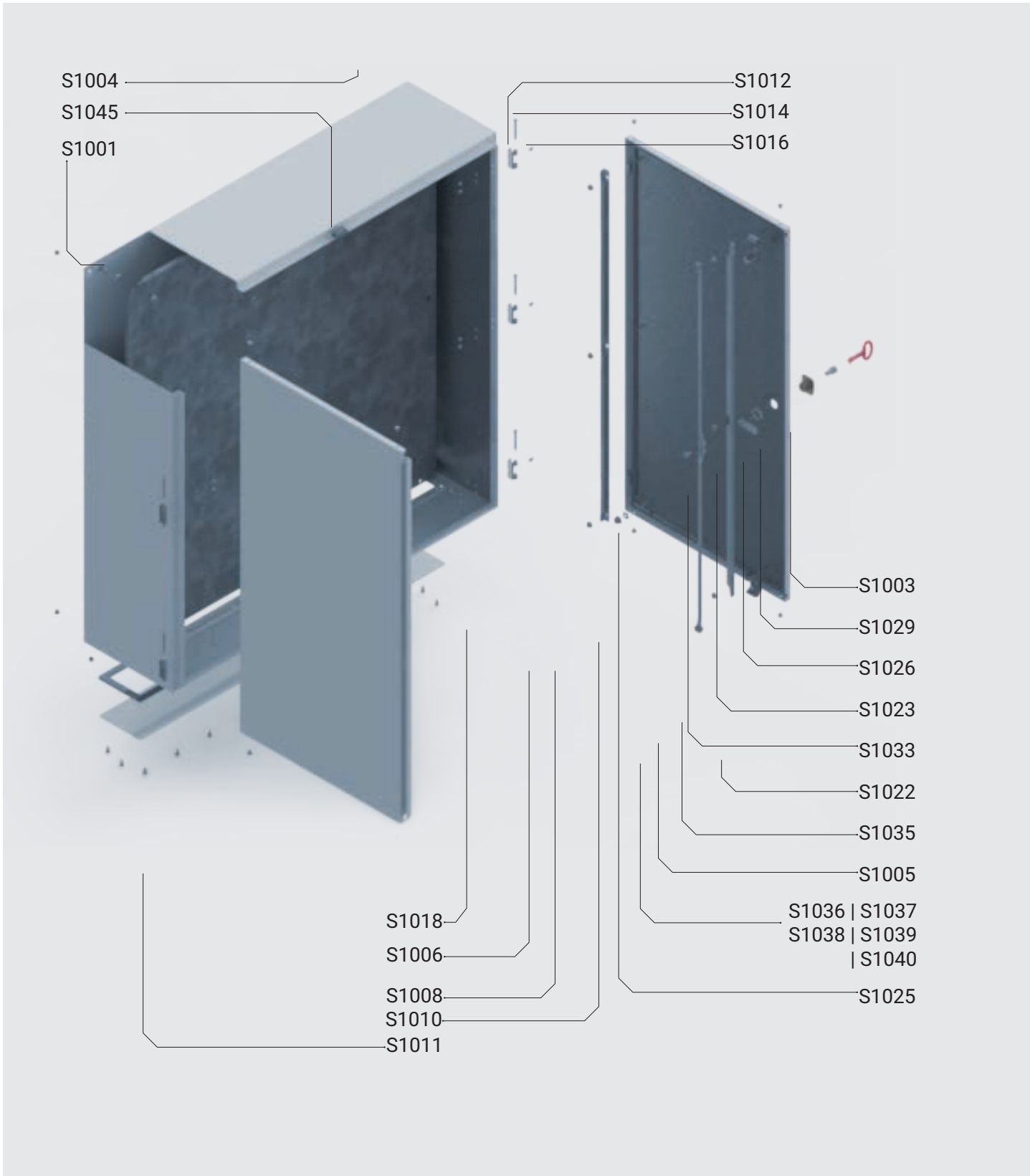


Spare part	Pack quantity	Description
S1001	50	Mounting plate spacer
S1003	50	Metallic key
S1004	50	Rear hole plug
S1005	50	M6 nut
S1006	50	M8 nut
S1008	50	M8 earthing washer
S1010	100	Earthing label
S1011	100	Gland plate screw
S1012	25	Hinge arm
S1014	25	Hinge pin
S1016	50	Hinge clip
S1018	50	M5x6 hinge screw with nylon washer
S1021	50	Hinge hole plug
S1022	50	Door plug
S1023	50	Plastic lock nut
S1025	50	Lock screw
S1026	25	Zamak lock body and spring
S1029	25	Zamak chrome plated lock insert
S1032	25	MAS / MAP / ASR lock latch
S1035	50	Plastic rod guide
S1038	5	Standard espagnolette locking system with wheels (1000 mm high enclosures)
S1039	5	Standard espagnolette locking system with wheels (1200 mm high enclosures)

# Wall Mounted Enclosures | Spare parts

## Mild steel

### Double door enclosure | MAD



# 01

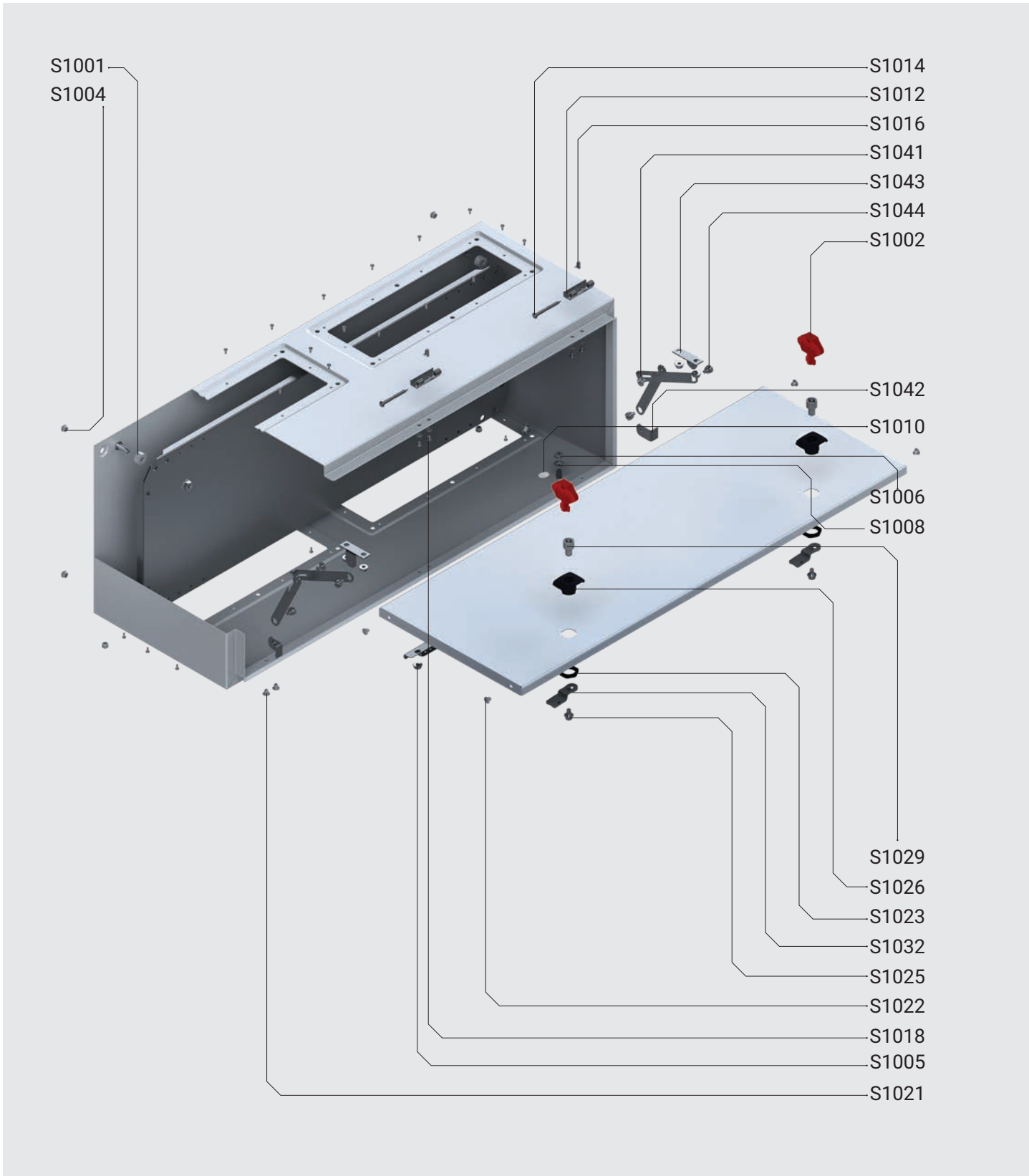
## Wall Mounted Enclosures

Spare part	Pack quantity	Description
S1001	50	Mounting plate spacer
S1003	50	Metallic key
S1004	50	Rear hole plug
S1005	50	M6 nut
S1006	50	M8 nut
S1008	50	M8 earthing washer
S1010	100	Earthing label
S1011	100	Gland plate screw
S1012	25	Hinge arm
S1014	25	Hinge pin
S1016	50	Hinge clip
S1018	50	M5x6 Hinge screw with nylon washer
S1022	50	Door plug
S1023	50	Plastic lock nut
S1025	50	Lock screw
S1026	25	Zamak lock body and spring
S1029	25	Zamak chrome plated lock insert
S1033	25	MAD / ADR lock latch
S1035	50	Plastic rod guide
S1036	5	Standard espagnolette locking system with wheels (600 mm high enclosures)
S1037	5	Standard espagnolette locking system with wheels (800 mm high enclosures)
S1038	5	Standard espagnolette locking system with wheels (1000 mm high enclosures)
S1039	5	Standard espagnolette locking system with wheels (1200 mm high enclosures)
S1040	5	Standard espagnolette locking system with wheels (1400 mm high enclosures)
S1045	10	MAD / ADR Adhesive tape

# Wall Mounted Enclosures | Spare parts

## Mild steel

### Panel | MAP





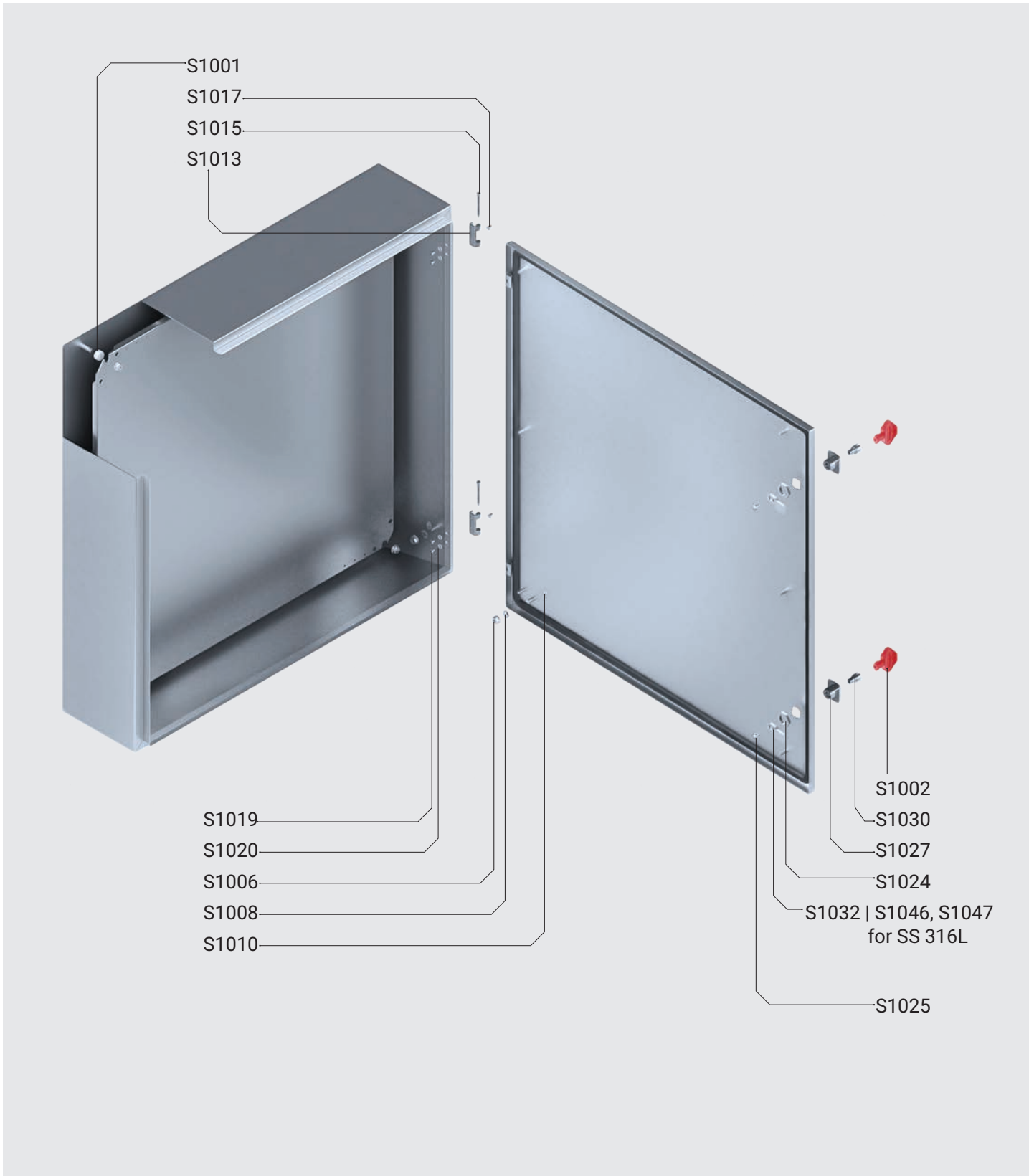
Spare part	Pack quantity	Description
S1001	50	Mounting plate spacer
S1002	50	Plastic key
S1004	50	Rear hole plug
S1005	50	M6 nut
S1006	50	M8 nut
S1008	50	M8 earthing washer
S1010	100	Earthing label
S1012	25	Hinge arm
S1014	25	Hinge pin
S1016	50	Hinge clip
S1018	50	M5x6 hinge screw with nylon washer
S1021	50	Hinge hole plug
S1022	50	Door plug
S1023	50	Plastic lock nut
S1025	50	Lock screw
S1026	25	Zamak lock body and spring
S1029	25	Zamak chrome plated lock insert
S1032	25	MAS / MAP / ASR lock latch
S1041	5	MAP door stop
S1042	5	MAP door stop - door bracket
S1043	5	MAP body - door stop bracket
S1044	10	MAP door stop fixing screw

# Wall Mounted Enclosures | Spare parts

## Stainless steel

### Single door enclosure | ASR

#### Simple lock



# 01

## Wall Mounted Enclosures

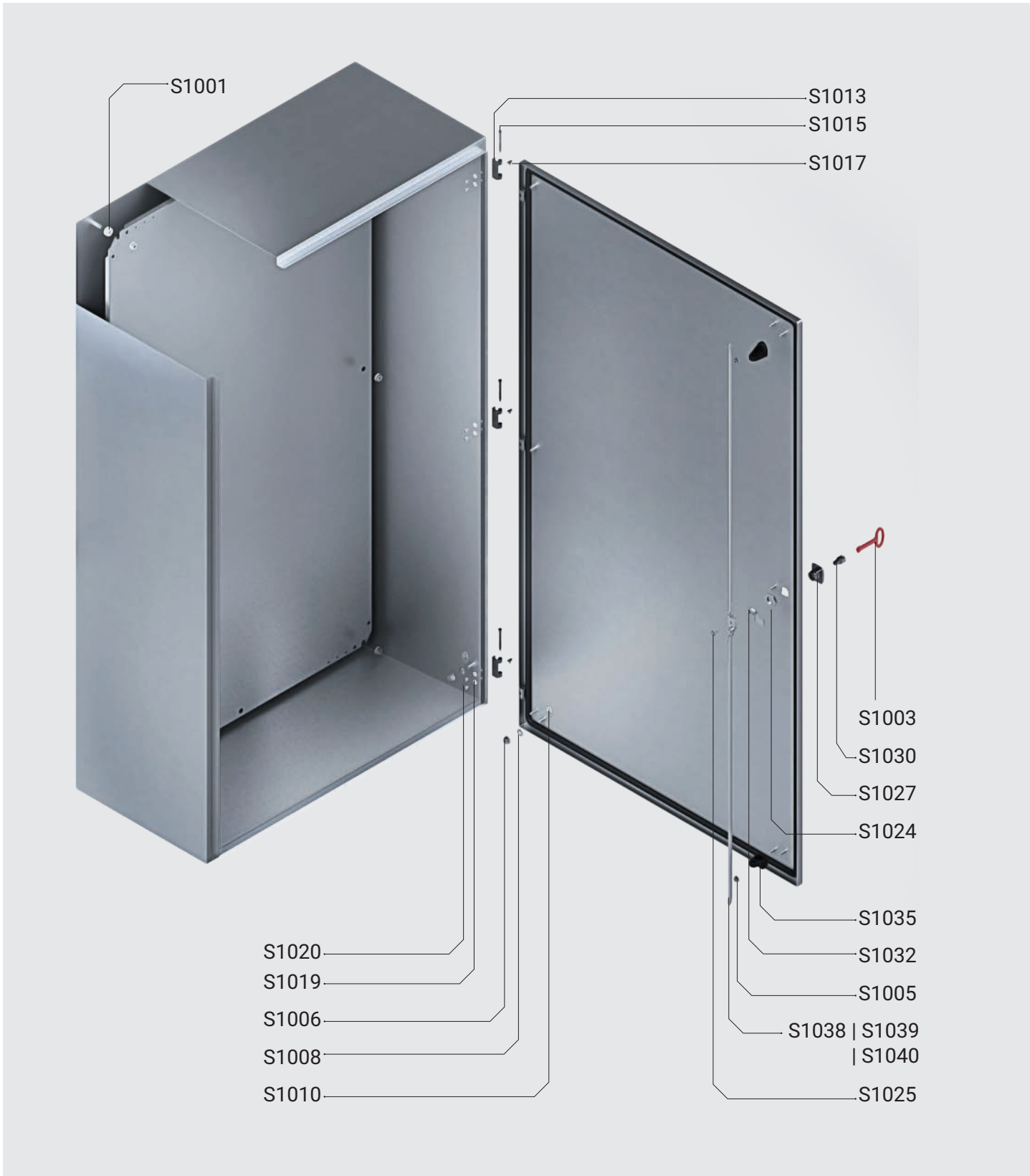
Spare part	Pack quantity	Description
S1001	50	Mounting plate spacer
S1002	50	Plastic key
S1006	50	M8 Nut
S1008	50	M8 Earthing washer
S1010	100	Earthing label
S1013	25	Hinge arm stainless steel
S1015	25	Hinge pin stainless steel
S1017	50	Hinge clip stainless steel
S1019	50	M5x6 Hinge screw stainless steel
S1020	50	M5 Hinge nylon washer
S1024	50	Metallic lock nut
S1025	50	Lock screw
S1027	25	ASR/ADR Chrome plated lock body with spring
S1030	25	ASR/ADR Chrome plated lock insert
S1032	25	MAS/MAP/ASR Lock latch
S1046	25	ASR-316 Lock latch
S1047	25	ASR-316 Slide shoe

# Wall Mounted Enclosures | Spare parts

## Stainless steel

### Single door enclosure | ASR

3 points espagnolette locking system



# 01

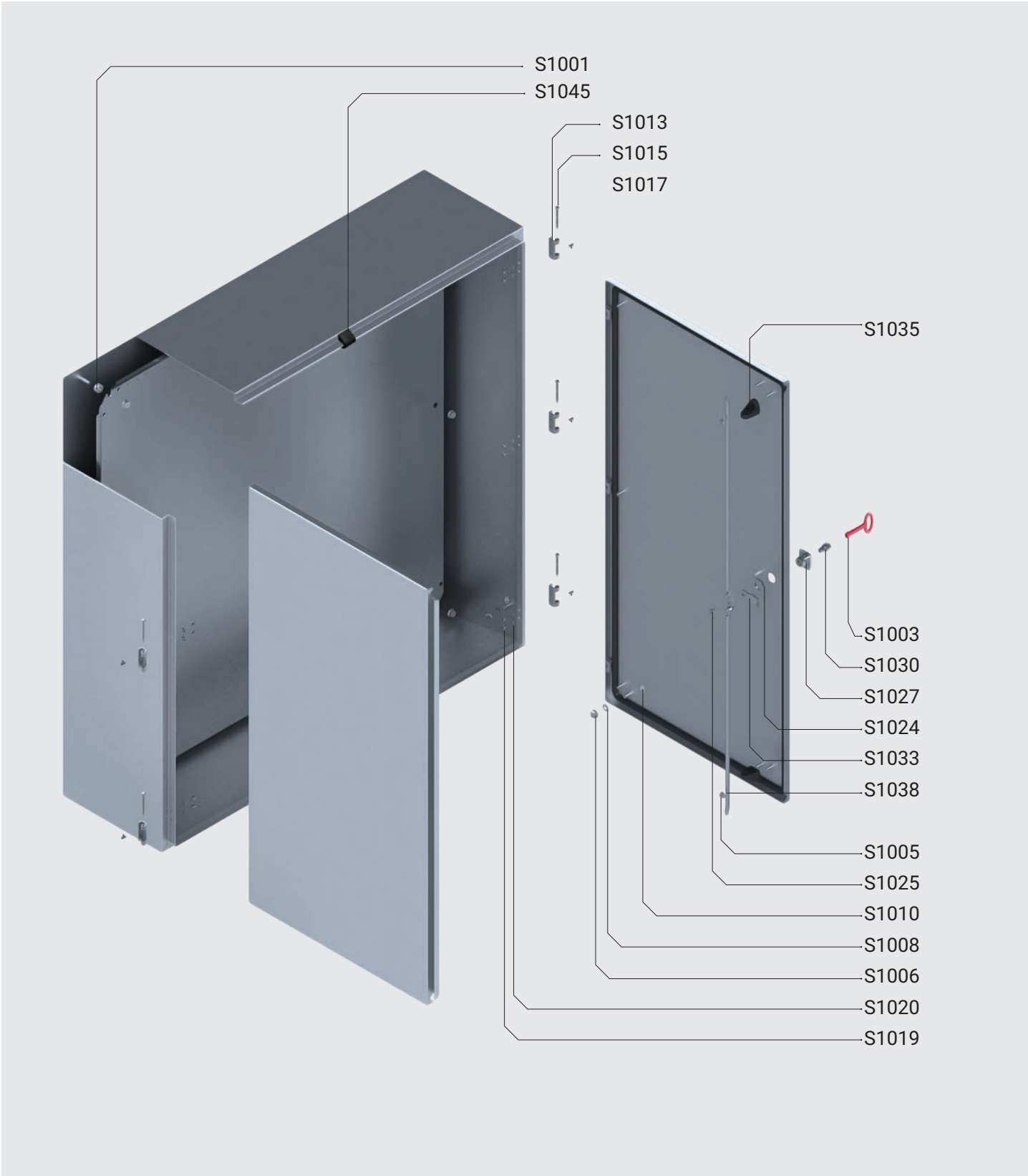
## Wall Mounted Enclosures

Spare part	Pack quantity	Description
S1001	50	Mounting plate spacer
S1003	50	Metallic key
S1005	50	M6 nut
S1006	50	M8 nut
S1008	50	M8 earthing washer
S1010	100	Earthing label
S1013	25	Hinge arm stainless steel
S1015	25	Hinge pin stainless steel
S1017	50	Hinge clip stainless steel
S1019	50	M5x6 hinge screw stainless steel
S1020	50	M5 hinge nylon washer
S1024	50	Metallic lock nut
S1025	50	Lock screw
S1027	25	ASR / ADR chrome plated lock body
S1030	25	ASR / ADR chrome plated lock insert
S1032	25	MAS / MAP / ASR lock latch
S1035	50	Plastic rod guide
S1038	5	Standard espagnolette locking system (1000 mm high enclosures)
S1039	5	Standard espagnolette locking system (1200 mm high enclosures)
S1040	5	Standard espagnolette locking system (1400 mm high enclosures)

# Wall Mounted Enclosures | Spare parts

## Stainless steel

### Double door enclosure | ADR



# 01

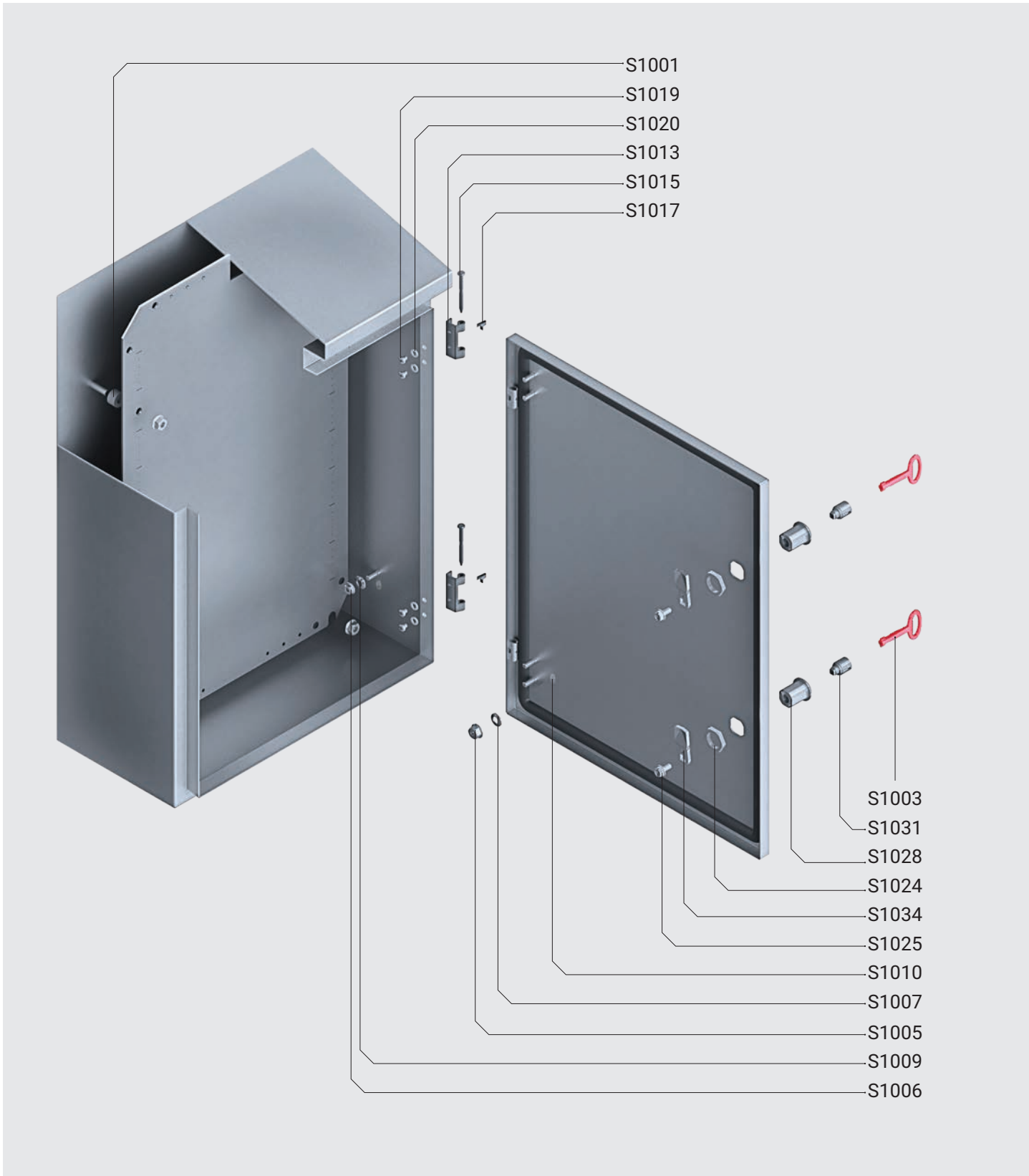
## Wall Mounted Enclosures

Spare part	Pack quantity	Description
S1001	50	Mounting plate spacer
S1003	50	Metallic key
S1005	50	M6 nut
S1006	50	M8 nut
S1008	50	M8 earthing washer
S1010	100	Earthing label
S1013	25	Hinge arm stainless steel
S1015	25	Hinge pin stainless steel
S1017	50	Hinge clip stainless steel
S1019	50	M5x6 hinge screw stainless steel
S1020	50	M5 hinge nylon washer
S1024	50	Metallic lock nut
S1025	50	Lock screw
S1027	25	ASR / ADR chrome plated lock body
S1030	25	ASR / ADR chrome plated lock insert
S1033	25	MAD / ADR lock latch
S1035	50	Plastic rod guide
S1038	5	Standard espagnolette locking system (1000 mm high enclosures)
S1045	10	MAD / ADR adhesive tape

# Wall Mounted Enclosures | Spare parts

## Stainless steel

Single door enclosure with integrated hood | AFS





# 01

## Wall Mounted Enclosures

Spare part	Pack quantity	Description
S1001	50	Mounting plate spacer
S1003	50	Metallic key
S1005	50	M6 nut
S1006	50	M8 nut
S1007	50	M6 washer
S1009	50	M8 washer
S1010	100	Earthing label
S1013	25	Hinge arm stainless steel
S1015	25	Hinge pin stainless steel
S1017	50	Hinge clip stainless steel
S1019	50	M5x6 hinge screw stainless steel
S1020	50	M5 hinge nylon washer
S1024	50	Metallic lock nut
S1025	50	Lock screw
S1028	25	AFS chrome plated lock body
S1031	25	AFS chrome plated lock insert
S1034	25	AFS lock latch



Protection you can trust for mild to harsh environments, nVent HOFFMAN floor standing enclosures set a high standard for strength, ease of use and easy installation. Choose from a broad range of models, configurations, mounting options, sizes, finishes and type ratings, as well as a complete range of accessories.

## Floor Standing Enclosures

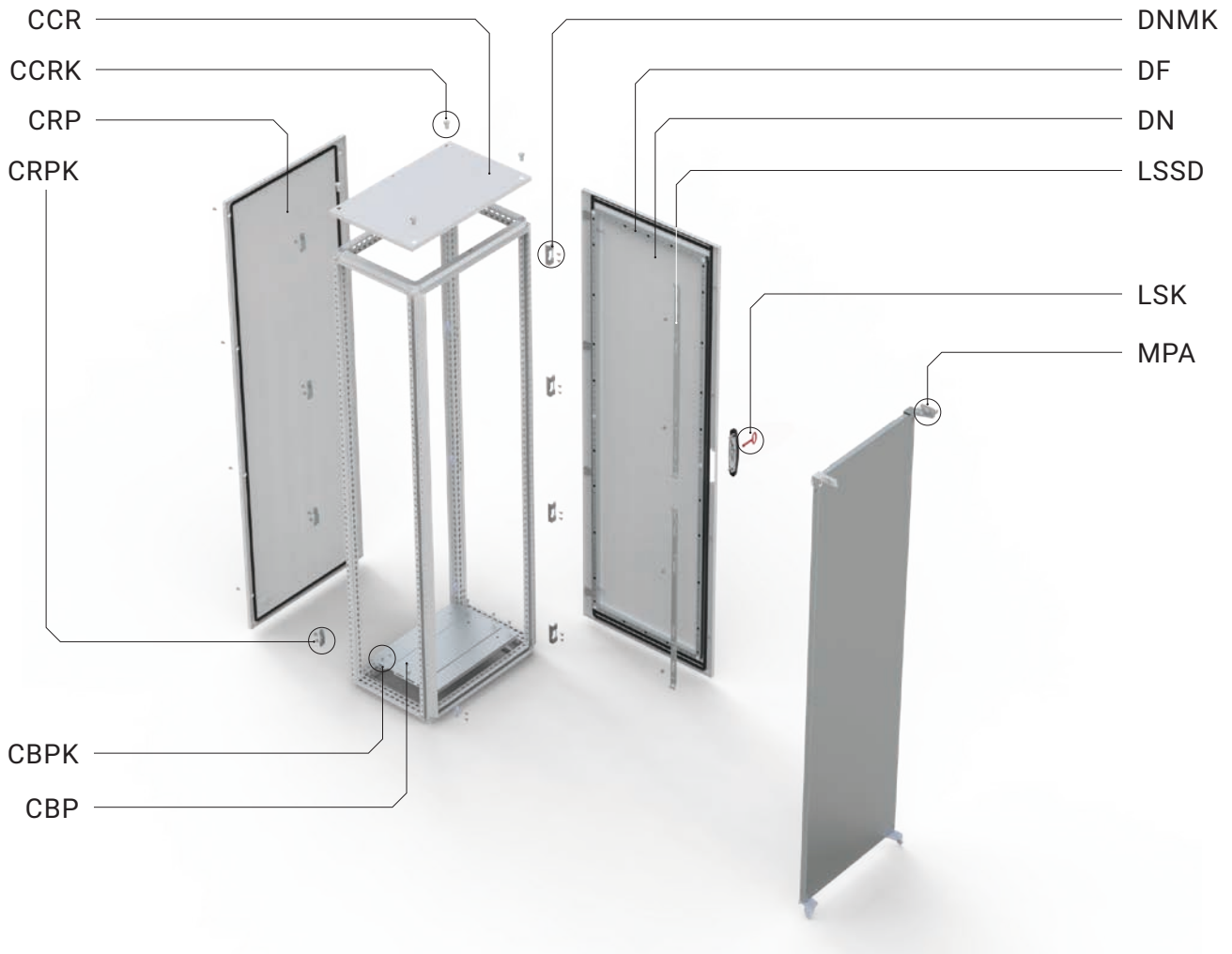
### Overview

Mild steel	Single door enclosure, combinable version   MCS	52
	Double door enclosure, combinable version   MCD	53
	IP protected ICT rack   MCI	54
	Industrial computer enclosure   MCM	55
	Single door enclosure, compact version   MKS	56
	Double door enclosure, compact version   MKD	57
Stainless steel	Single door enclosure, combinable version   MCSS	58
	Double door enclosure, combinable version   MCDS	59
	Single door enclosure, compact version   EKSS	60
	Double door enclosure, compact version   EKDS	61
<b>Replacement parts</b>		<b>63</b>
<b>Spare parts</b>		<b>81</b>

# Floor Standing Enclosures

## Mild steel

### Single door enclosure, combinable version | MCS



Replacement parts	Description	Page No.
DN	Plain door	64
LSSD	Locking system	63
DF	Door frame	65
DNMK	Door mounting kit	66
LSK	Key	66
CCR	Roof plate	67
CRP	Rear panel	68
CCRK	Roof mounting kit	69
CRPK	Rear panel mounting kit	69
MPA	Mounting plate brackets	70
CBP	Bottom plate	71
CBPK	Bottom plate mounting kit	72

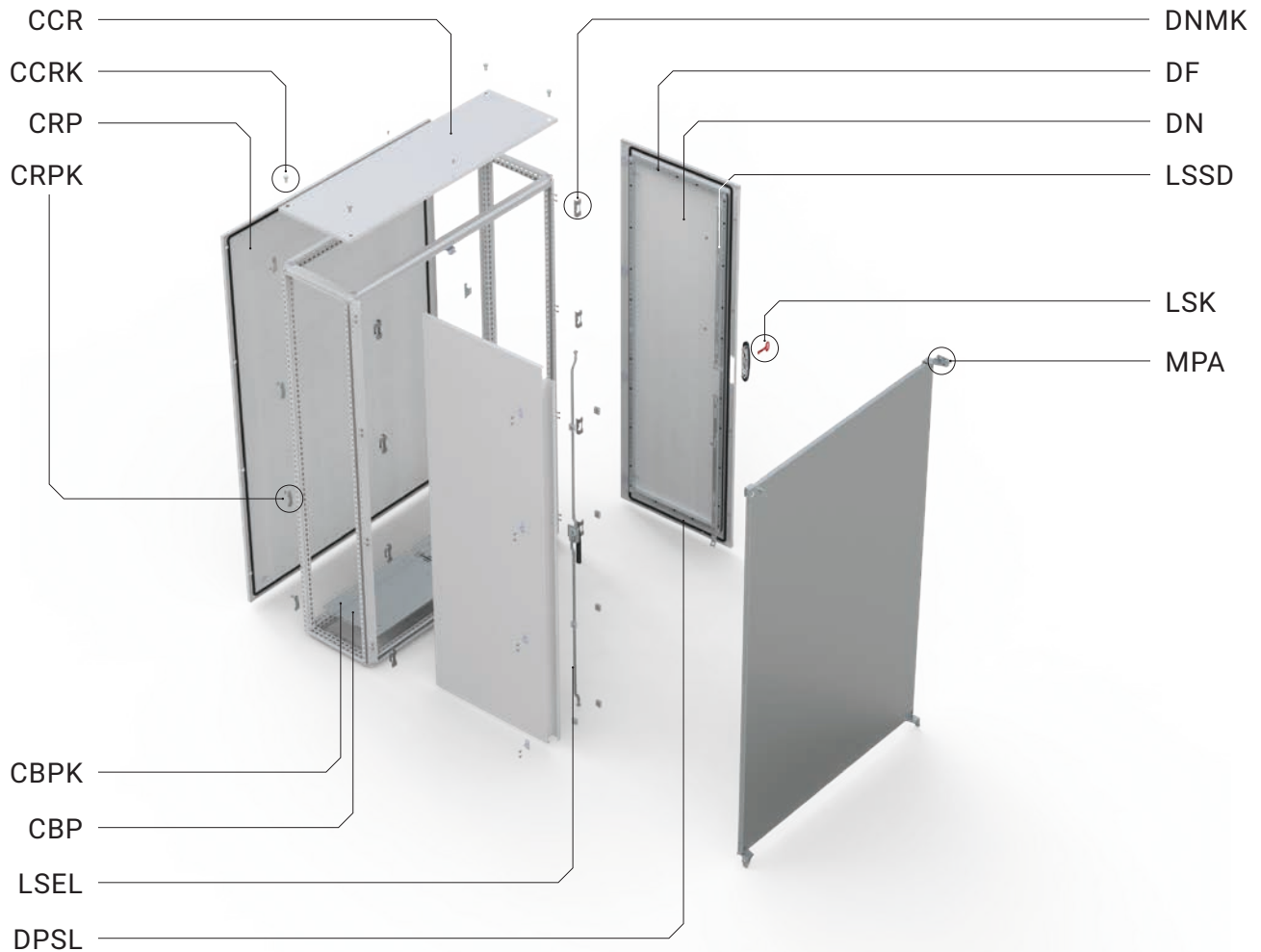
# Floor Standing Enclosures

## Mild steel

Double door enclosure, combinable version | MCD

# 02

Floor Standing Enclosures

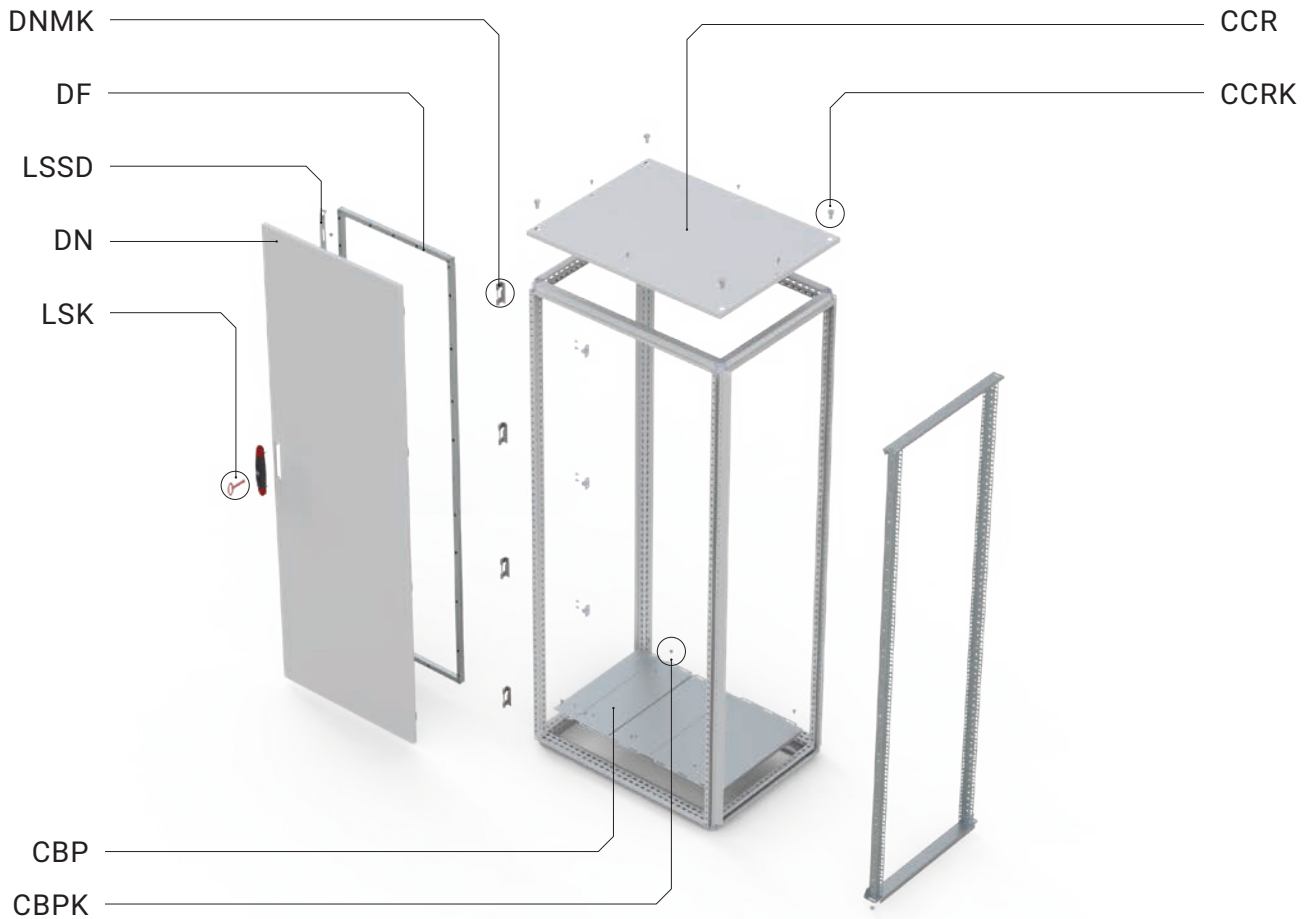


Replacement parts	Description	Page No.
DN	Plain door	60
LSSD	Locking system	63
LSEL	Left door locking system	63
DF	Door frame	65
DNMK	Door mounting kit	66
LSK	Key	66
CCR	Roof plate	67
CRP	Rear panel	68
CCRK	Roof mounting kit	69
CRPK	Rear panel mounting kit	69
MPA	Mounting plate brackets	70
DPSL	Door plastic support	70
CBP	Bottom plate	71
CBPK	Bottom plate mounting kit	72

# Floor Standing Enclosures

## Mild steel

### IP protected ICT rack | MCI



Replacement parts	Description	Page No.
DN	Plain door	60
LSSD	Locking system	63
DF	Door frame	65
DNMK	Door mounting kit	66
LSK	Key	66
CCR	Roof plate	67
CCRK	Roof mounting kit	69
CBP	Bottom plate	71
CBPK	Bottom plate mounting kit	72

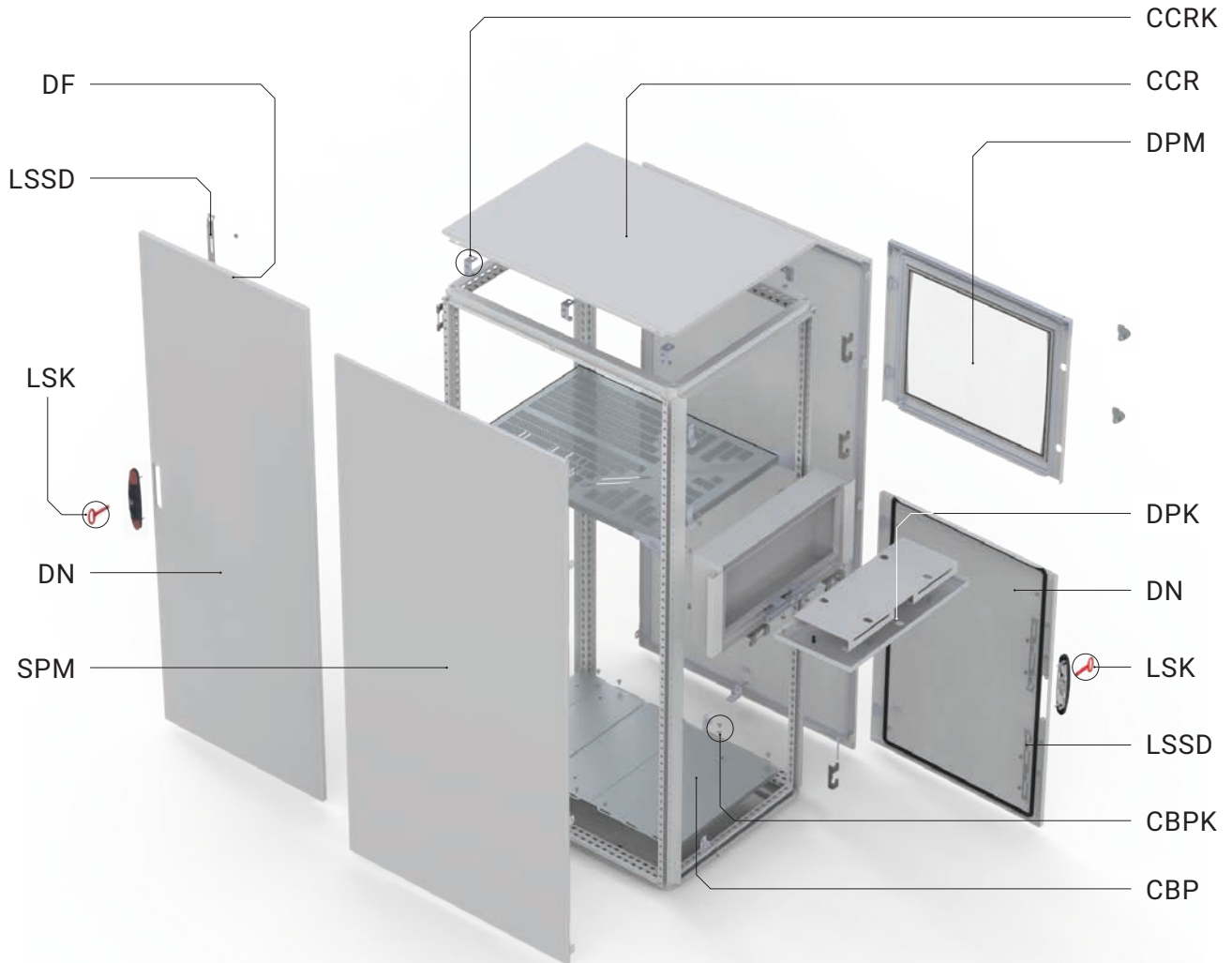
# Floor Standing Enclosures

## Mild steel

### Industrial computer enclosure | MCM

# 02

Floor Standing Enclosures



Replacement parts	Description	Page No.
DN	Plain door	60
LSSD	MCM espagnolette bottom door	63
LSSD	MCM espagnolette back door	63
DF	Door frame	65
LSK	Key	66
CCR	Roof plate MCM	67
CCRK	Roof mounting kit	69
SPM	Side panel MCM	70
CBP	Bottom plate	71
CBPK	Bottom plate mounting kit	72
DPM	MCM monitor door	73
DPK	Keyboard panel	74

# Floor Standing Enclosures

## Mild steel

### Single door enclosure, compact version | MKS



Replacement parts	Description	Page No.
DN	Plain door	60
LSSD	Locking system	63
DF	Door frame	65
DNMK	Door mounting kit	66
LSK	Key	66
CCR	Roof plate	67
CRP	Rear panel	68
CCRK	Roof mounting kit	69
CRPK	Rear panel mounting kit	69
MPA	Mounting plate brackets	70
CBP	Bottom plate	71
CBPK	Bottom plate mounting kit	72



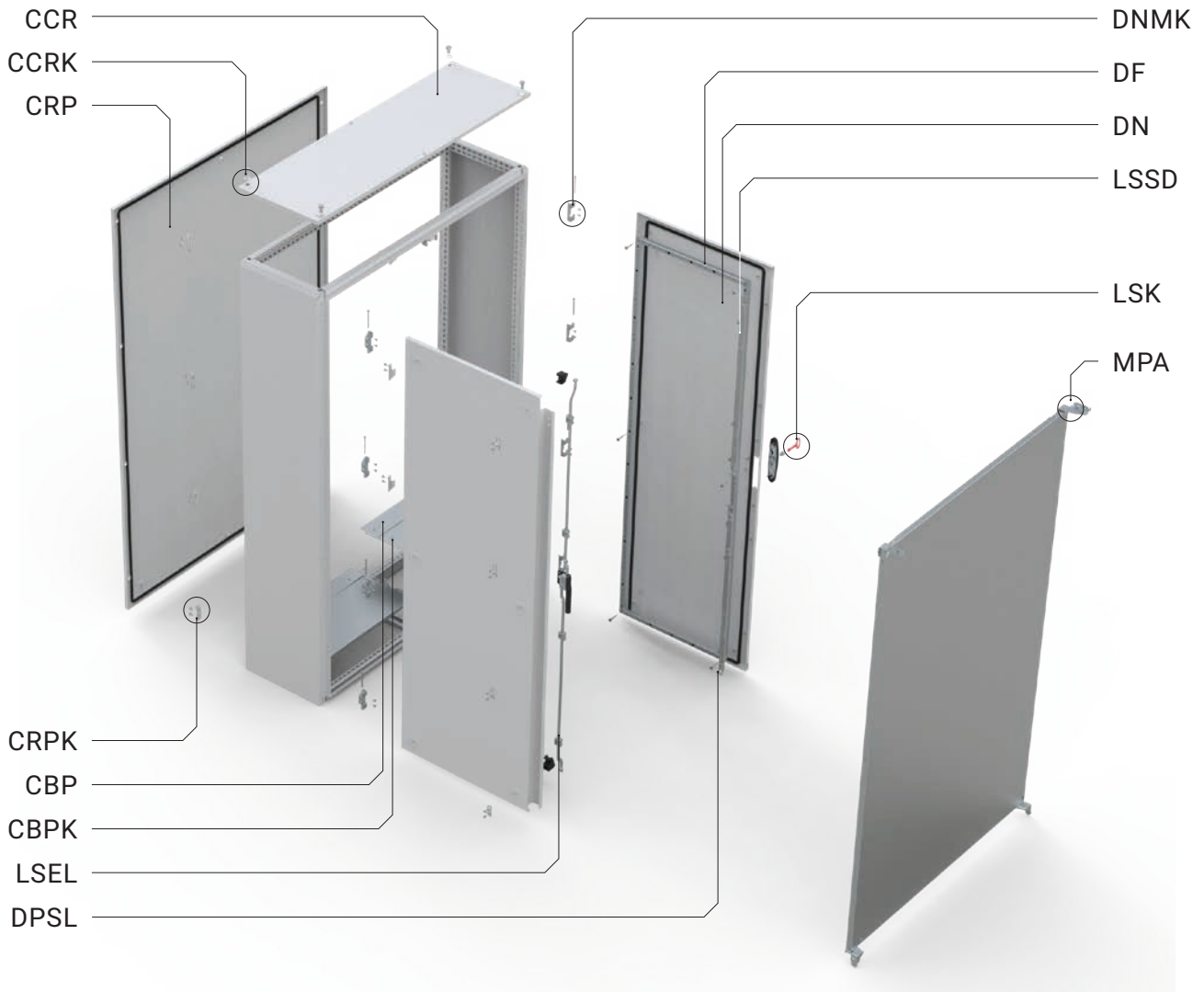
# Floor Standing Enclosures

## Mild steel

### Double door enclosure, compact version | MKD

# 02

Floor Standing Enclosures

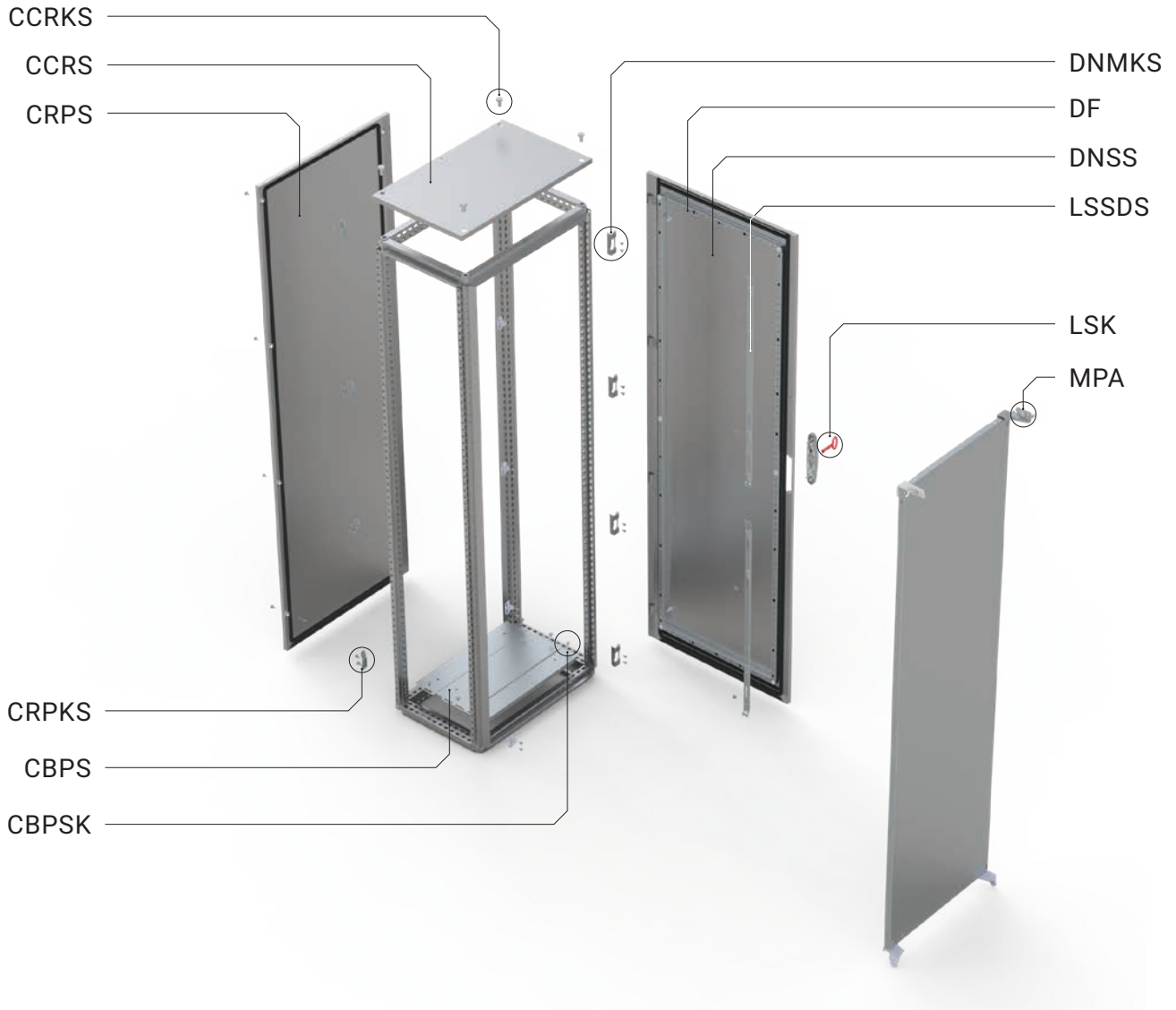


Replacement parts	Description	Page No.
DN	Plain door	60
LSSD	Locking system	63
LSEL	Left door locking system	63
DF	Door frame	65
DNMK	Door mounting kit	66
LSK	Key	66
CCR	Roof plate	67
CRP	Rear panel	68
CCRK	Roof mounting kit	69
CRPK	Rear panel mounting kit	69
MPA	Mounting plate brackets	70
DPSL	Door plastic support	70
CBP	Bottom plate	71
CBPK	Bottom plate mounting kit	72

# Floor Standing Enclosures

## Stainless steel

Single door enclosure, combinable version | MCSS



Replacement parts	Description	Page No.
DNSS	Stainless steel plain door	62
LSSDS	Locking system	64
DF	Door frame	65
DNMKs	Door mounting kit	66
LSK	Key	66
CCRS	Roof plate	67
CRPS	Rear panel	68
CCRKS	Roof mounting kit	69
CRPKS	Rear panel mounting kit	69
MPA	Mounting plate brackets	70
CBPS	Stainless steel bottom plate	72
CBPSK	Stainless steel bottom plate mounting kit	72

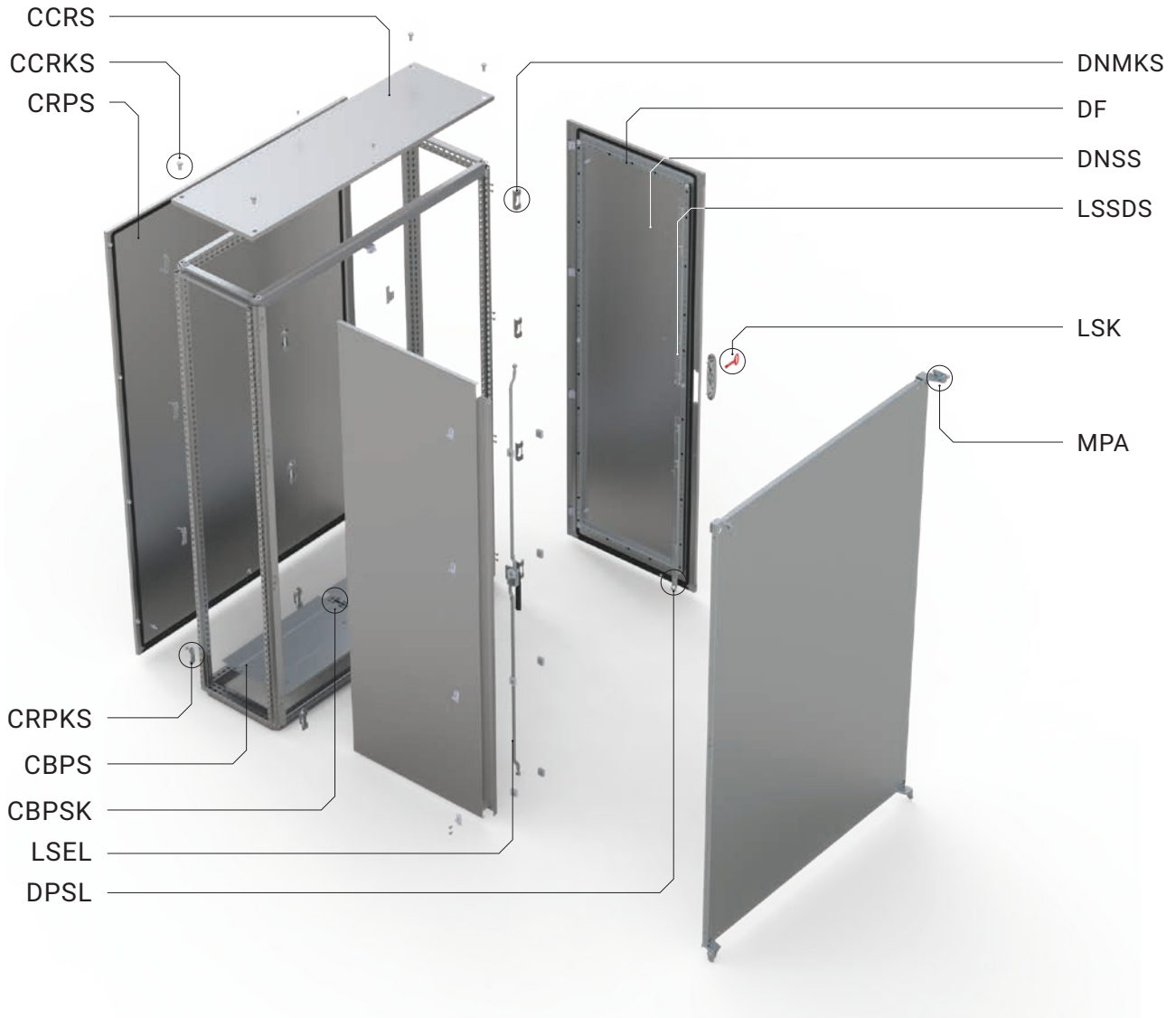
# Floor Standing Enclosures

## Stainless steel

Double door enclosure, combinable version | MCDS

# 02

Floor Standing Enclosures

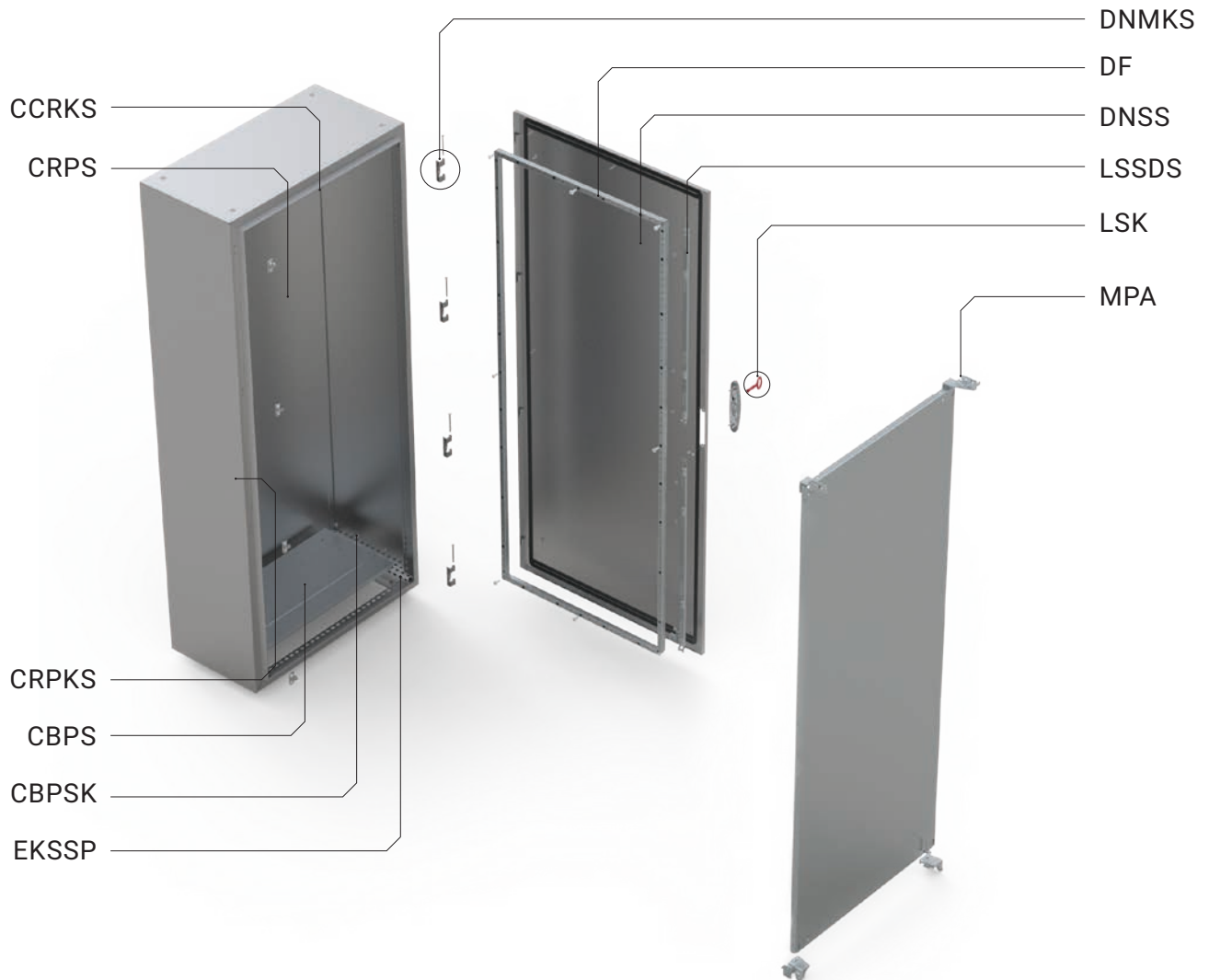


Replacement parts	Description	Page No.
DNSS	Stainless steel plain door	62
LSEL	Left door locking system	63
LSSDS	Locking system	64
DF	Door frame	65
DNMKS	Door mounting kit	66
LSK	Key	66
CCRS	Roof plate	67
CRPS	Rear panel	68
CCRKS	Roof mounting kit	69
CRPKS	Rear panel mounting kit	69
MPA	Mounting plate brackets	70
DPSL	Door plastic support	70
CBPS	Stainless steel bottom plate	72
CBPSK	Stainless steel bottom plate mounting kit	72

# Floor Standing Enclosures

## Stainless steel

### Single door enclosure, compact version | EKSS



Replacement parts	Description	Page No.
DNSS	Stainless steel plain door	62
LSSDS	Locking system	64
DF	Door frame	65
DNMKS	Door mounting kit	66
LSK	Key	66
CRPS	Stainless steel rear panel	68
CCRKS	Stainless steel roof mounting kit	69
CRPKS	Rear panel brackets	69
MPA	Mounting plate brackets	70
CBPS	Plain bottom plates	72
CBPSK	Stainless steel bottom plate mounting kit	72
EKSSP	Floor standing compact enclosure profiles	73

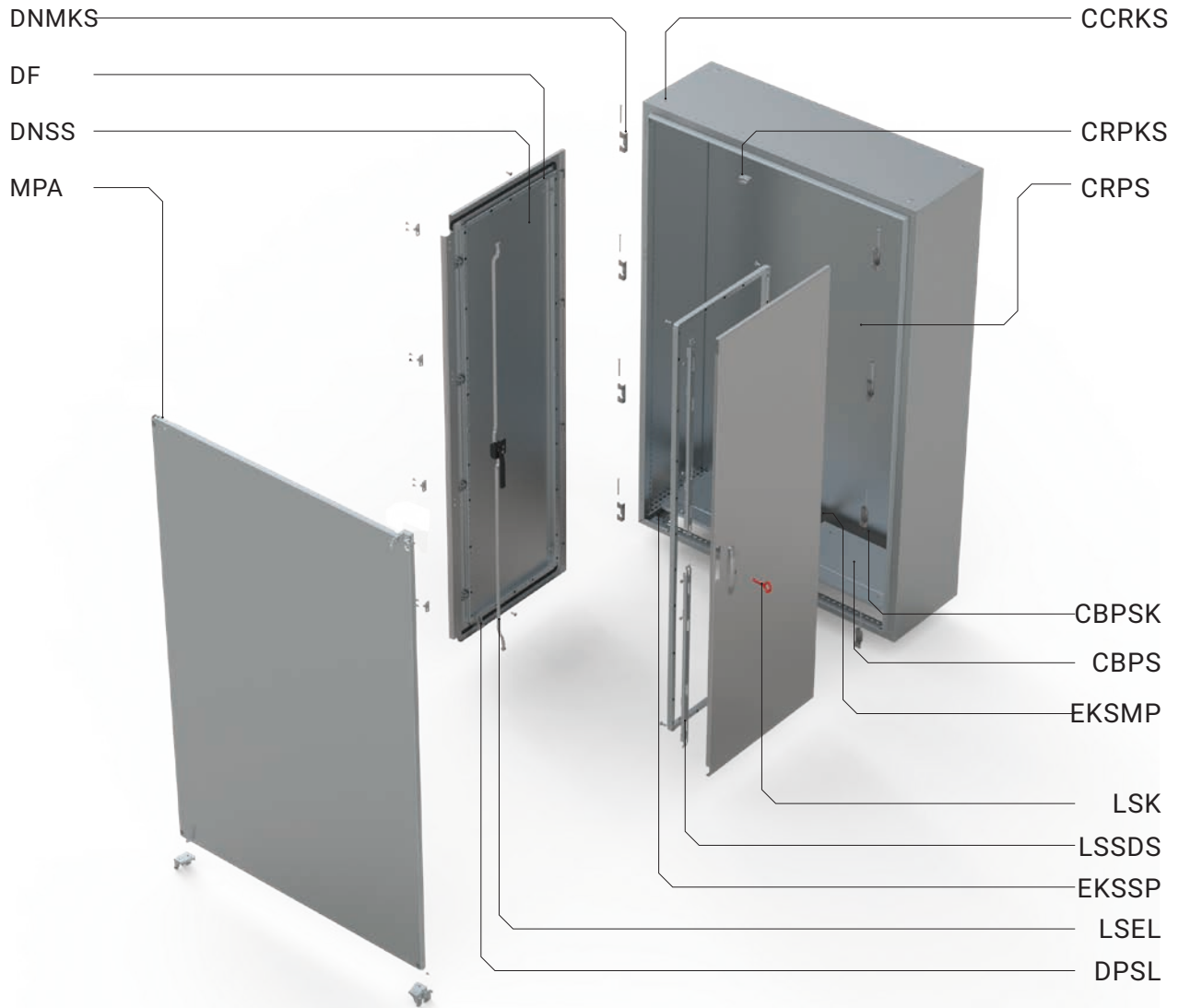
# Floor Standing Enclosures

## Stainless steel

Double door enclosure, compact version | EKDS

# 02

Floor Standing Enclosures



Replacement parts	Description	Page No.
DNSS	Stainless steel plain door	62
LSEL	Left door locking system	63
LSSDS	Locking system	64
DF	Door frame	65
DNMKS	Door mounting kit	66
LSK	Key	66
CRPS	Stainless steel rear panel	68
CCRKS	Roof mounting kit	69
CRPKS	Rear panel brackets	69
MPA	Mounting plate brackets	70
DPSSL	Door plastic support	70
CBPS	Plain bottom plates	72
CBPSK	Stainless steel bottom plate mounting kit	72
EKSSP	Floor standing compact enclosure profiles	73
EKSMPS	Stainless steel floor standing compact enclosure middle profiles	73



# Floor Standing Enclosures

## Replacement parts

# 02

Floor Standing Enclosures

### Replacement parts

Plain door   DN	64
Compact plain door   DNK	65
Stainless steel plain door   DNSS	66
Floor standing locking system   LSSD	67
Left door locking system   LSEL	67
Floor standing locking system   LSSDS	68
Floor standing enclosures door frame   DF	69
Door mounting kit   DNMK	70
Stainless steel door mounting kit   DNMKs	70
Key   LSK	70
Roof plate   CCR	71
Stainless steel roof plate   CCRS	71
Rear panel   CRP	72
Stainless steel rear panel   CRPS	72
Roof mounting kit   CCRK	73
Stainless steel roof mounting kit   CCRKS	73
Rear panel mounting kit   CRPK	73
Stainless steel rear panel mounting kit   CRPKS	73
Side panel   SPM	74
Door plastic support   DPSL	74
Mounting plate brackets   MPA	74
Bottom plate   CBP	75
Stainless steel bottom plate   CBPS	76
Bottom plate screws   CBPK	76
Stainless steel bottom plate screws   CBPSK	76
Stainless steel floor standing compact enclosure sliding profiles   EKSSP	77
Stainless steel floor standing compact and combinable middle profiles   EKSMP	77
Monitor door   DPM	77
Monitor door   DPMB	78
Hinged keyboard tray   DPK	78

# Floor Standing Enclosures

## Replacement parts

### Floor Standing plain door | DN

**Description:** Standard door equipped with double-bit 3 mm lock system and door frame. Door accessory kit DNMK (hinges, rod catches) to be ordered separately. Allows all the options of the locking program and 180° hinges.

**Material:** 2 mm steel plate.

**Finish:** RAL 7035 structured powder coating.

**Pack quantity:** 1 piece.

**Maximum load:** 800 N.

**Mounting requirement:** Use hinge kit DNMK01 (single door) or DNMK02 (double door) if no door was fitted previously.

H	W	Part No.
<b>Plain door</b>		
1100	600	DN1106R5
1400	800	DN1408R5
1600	600	DN1606R5
	800	DN1608R5
	1000	DN1610R5
1800	500	DN1805R5
	600	DN1806R5
	800	DN1808R5
	1000	DN1810R5
2000	500	DN2005R5
	600	DN2006R5
	800	DN2008R5
	1000	DN2010R5
2200	600	DN2206R5
	800	DN2208R5

<b>Left door</b>		
1600	600	DN1606LR5
1800	400	DN1804LR5
	500	DN1805LR5
	600	DN1806LR5
2000	800	DN1808LR5
	400	DN2004LR5
	500	DN2005LR5
	600	DN2006LR5
2200	800	DN2008LR5
	500	DN2205LR5
	600	DN2206LR5

<b>Right door</b>		
1600	600	DN1606RR5
1800	400	DN1804RR5
	500	DN1805RR5
	600	DN1806RR5
2000	800	DN1808RR5
	400	DN2004RR5
	500	DN2005RR5
	600	DN2006RR5
2200	800	DN2008RR5
	500	DN2205RR5
	600	DN2206RR5





# Floor Standing Enclosures Replacement parts

# 02

Floor Standing Enclosures

## Compact plain door | DNK

**Description:** Standard door equipped with double-bit 3 mm lock system and door frame. Door accessory kit DNMK (hinges, rod catches) to be ordered separately. Allows all the options of the locking program and 180° hinges.

**Material:** 2 mm steel plate.

**Finish:** RAL 7035 structured powder coating.

**Pack quantity:** 1 piece.

**Maximum load:** 800 N.

**Mounting requirement:** Use hinge kit DNMK01 (single door) or DNMK02K (double door) if no door was fitted previously.

H	W	Part No.
<b>Plain door</b>		
1200	600	DNK1206
	800	DNK1208
1400	600	DNK1406
	800	DNK1408
1600	600	DNK1606
	800	DNK1608
	1000	DNK1610
1800	600	DNK1806
	800	DNK1808
2000	1000	DNK1810
	600	DNK2006
	800	DNK2008
	1000	DNK2010

<b>Left door</b>		
1200	1200	DNK1206L
1400	1000	DNK1405L
	1200	DNK1406L
1600	1200	DNK1606L
	1200	DNK1806L
1800	1600	DNK1808L
	1200	DNK2006L
2000	1600	DNK2008L

<b>Right door</b>		
1200	1200	DNK1206R
1400	1000	DNK1405R
	1200	DNK1406R
1600	1200	DNK1606R
	1200	DNK1806R
1800	1600	DNK1808R
	1200	DNK2006R
2000	1600	DNK2008R



# Floor Standing Enclosures

## Replacement parts

### Floor standing stainless steel plain door | DNSS

**Description:** Standard door equipped with double-bit 3 mm lock system and door frame. Door accessory kit DNMKS (hinges, rod catches) to be ordered separately. Allows all the options of the locking program and 180° hinges.

**Material:** 2 mm AISI 304L stainless steel plate / AISI 316L (on request).

**Finish:** 240s pre-grained stainless steel (0.5 microns average).

**Pack quantity:** 1 piece.

**Maximum load:** 800 N.

**Mounting requirement:** Use hinge kit DNMKS01 / DNMKS02 if no door was fitted previously.

H	W	Part No.
<b>Plain door</b>		
1400	800	DNSS1408
1600	600	DNSS1606
	800	DNSS1608
	1000	DNSS1610
1800	600	DNSS1806
	800	DNSS1808
	1000	DNSS1810
2000	600	DNSS2006
	800	DNSS2008
	1000	DNSS2010

<b>Left door</b>		
1200	1200	DNSS1212L
1600	1200	DNSS1612L
1800	1000	DNSS1810L
	1200	DNSS1812L
	1600	DNSS1816L
2000	1200	DNSS2012L

<b>Right door</b>		
1200	1200	DNSS1212R
1600	1200	DNSS1612R
1800	1000	DNSS1810R
	1200	DNSS1812R
	1600	DNSS1816R
2000	1200	DNSS2012R



# Floor Standing Enclosures Replacement parts

# 02

Floor Standing Enclosures

## Floor standing locking system | LSSD

**Description:** Complete espagnolette system for single and double door floor standing enclosures.

**Pack quantity:** Complete set for one door.

H	Part No.
1100	LSSD1100
1400	LSSD1400
1600	LSSD1600
1800	LSSD1800
2000	LSSD2000
2200	LSSD2200



## Left door espagnolette | LSEL

**Description:** Complete espagnolette system for locking the left door of double door floor standing enclosures.

**Pack quantity:** Complete set for one left door.

H	Part No.
1600	LSEL1600
1800	LSEL1800
2000	LSEL2000
2200	LSEL2200



# Floor Standing Enclosures Replacement parts

## Floor standing stainless steel locking system LSSDS

**Description:** Complete espagnolette system for single and double door stainless steel enclosures.

**Pack quantity:** Complete set for one door.

H	Part No.
1200	LSSDS1200
1400	LSSDS1400
1600	LSSDS1600
1800	LSSDS1800
2000	LSSDS2000



# Floor Standing Enclosures

## Replacement parts

# 02

Floor Standing Enclosures

## Floor Standing door frame | DF

**Description:** Gives the door extra rigidity and is removable. The hole pattern in steps of 25 mm allows mounting of several accessories.

**Pack quantity:** Complete set for one door.



H	W	Part No.
<b>Plain Door</b>		
1100	600	DF1106
1400	800	DF1408
1600	600	DF1606
	800	DF1608
	1000	DF1610
1800	500	DF1805
	600	DF1806
	800	DF1808
2000	1000	DF1810
	500	DF2005
	600	DF2006
	800	DF2008
2200	1000	DF2010
	600	DF2206
	800	DF2208

<b>Left door</b>		
1200	600	DF1206L
1400	500	DF1405L
	600	DF1406L
	600	DF1606L
1800	400	DF1804L
	500	DF1805L
	600	DF1806L
2000	800	DF1808L
	400	DF2004L
	500	DF2005L
	600	DF2006L
2200	800	DF2008L
	500	DF2205L
	600	DF2206L

<b>Right door</b>		
1200	600	DF1206R
1400	500	DF1405R
	600	DF1406R
	600	DF1606R
1800	400	DF1804R
	500	DF1805R
	600	DF1806R
2000	800	DF1808R
	400	DF2004R
	500	DF2005R
	600	DF2006R
2200	800	DF2008R
	500	DF2205R
	600	DF2206R

# Floor Standing Enclosures Replacement parts

## Door mounting kit | DNMK

**Description:** Required when fitting a door. Only needed when there was no door mounted previously.

**Pack quantity:** 1 complete kit with hinges, rod catches and mounting accessories.

Description	Part No.
For single door enclosures	DNMK01
For double door enclosures	DNMK02
For compact double door enclosures	DNMK02K



## Stainless steel door mounting kit | DNMKs

**Description:** Required when fitting a door. Only needed when there was no door mounted previously.

**Pack quantity:** 1 complete kit with hinges, rod catches and mounting accessories.

Description	Part No.
For single door enclosures	DNMKs01
For double door enclosures	DNMKs02



## Key | LSK

**Description:** Key with nVent HOFFMAN logo. Easy to use design and provides a good grip.

**Material:** Die cast alloy.

**Pack quantity:** 1 piece.

Description	Part No.
Plastic DIN3	LSK502
Metallic DIN 3 mm	LSK503
Metallic DIN 5 mm	LSK505
Metallic Square 7 mm	LSK523
Metallic Square 8 mm	LSK524
Metallic Triangle 7 mm	LSK526
Metallic Triangle 8 mm	LSK527



# Floor Standing Enclosures Replacement parts

# 02

Floor Standing Enclosures

## Roof plate | CCR

**Description:** Standard roof plate to cover the top of the floor standing combinable range.

**Material:** 1.5 mm steel plate.

**Finish:** RAL7035 structured powder coating.

**Pack quantity:** 1 piece without mounting accessories.

**Mounting requirement:** Standard roof plate for separate delivery. For mounting, add CCRKS mounting kit.



W	D	Part No.
400	400	CCR044R5
500	500	CCR055R5
600	400	CCR064R5
	500	CCR065R5
	600	CCR066R5
800	800	CCR068R5
	400	CCR084R5
	500	CCR085R5
1000	600	CCR086R5
	800	CCR088R5
	400	CCR104R5
	500	CCR105R5
1200	600	CCR106R5
	800	CCR108R5
	400	CCR124R5
1400	500	CCR125R5
	600	CCR126R5
	800	CCR128R5
	400	CCR144R5
1600	400	CCR164R5
	500	CCR165R5
	600	CCR166R5

## Stainless steel roof plate | CCRS

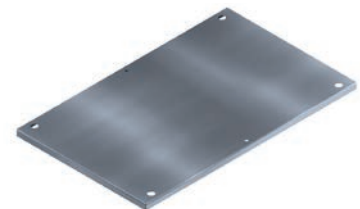
**Description:** Standard roof plate to cover the top of the floor standing Stainless steel enclosures range.

**Material:** 1.5 mm AISI 304L stainless steel plate.

**Finish:** 2405 pre-grained stainless steel (0.5 microns average).

**Pack quantity:** 1 piece without mounting accessories.

**Mounting requirement:** Standard roof plate for separate delivery. For mounting, add CCRKS mounting kit.



W	D	Part No.
600	500	CCRS065
	600	CCRS066
800	500	CCRS085
	600	CCRS086
1000	500	CCRS105
	600	CCRS106
1200	500	CCRS125
	600	CCRS126

# Floor Standing Enclosures Replacement parts

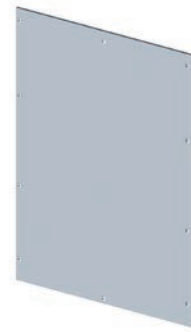
## Rear panel | CRP

**Description:** Can be replaced by a plain or transparent door.

**Material:** 1.5 mm steel plate.

**Delivery:** 1 rear panel.

H	W	Part No.
1100	600	CRP1106R5
1400	800	CRP1408R5
1600	600	CRP1606R5
	800	CRP1608R5
	1000	CRP1610R5
	1200	CRP1612R5
	600	CRP1806R5
1800	800	CRP1808R5
	1000	CRP1810R5
	1200	CRP1812R5
	1600	CRP1816R5
	400	CRP2004R5
	600	CRP2006R5
2000	800	CRP2008R5
	1000	CRP2010R5
	1200	CRP2012R5
	1600	CRP2016R5
2200	600	CRP2206R5
	800	CRP2208R5
	1000	CRP2210R5



## Stainless steel rear panel | CRPS

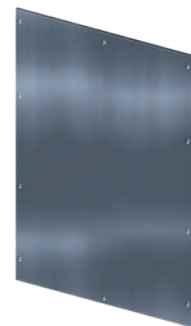
**Description:** Can be replaced by a plain or transparent door.

**Material:** 1.5 mm AISI 304L stainless steel plate.

**Finish:** 2405 pre-grained stainless steel (0.5 microns average).

**Delivery:** 1 rear panel.

H	W	Part No.
1200	1200	CRPS1212
1400	800	CRPS1408
1600	600	CRPS1606
	800	CRPS1608
	1000	CRPS1610
	1200	CRPS1612
	600	CRPS1806
1800	800	CRPS1808
	1000	CRPS1810
	1200	CRPS1812
	1600	2 x CRPS1808
	600	CRPS2006
	800	CRPS2008
2000	1000	CRPS2010
	1200	CRPS2012
	1600	2 x CRPS2008





# Floor Standing Enclosures Replacement parts

# 02

Floor Standing Enclosures

## Roof mounting kit | CCRK

**Description:** Standard mounting accessories for the CCR and CRG roof plates.

**Delivery:** 4 pieces M12x20, 4 pieces M6x12 and 4 pieces M12 plastic washers.

Part No.
CCRK08

## Stainless steel roof mounting kit | CCRKS

**Description:** Standard mounting accessories for the CCRS roof plates.

**Delivery:** 4 pieces M12x20, 4 pieces M6x12 and 4 pieces M12 plastic washers.

Part No.
CCRKS08

## Rear panel mounting kit | CRPK

**Description:** Standard mounting accessories for the back panel.

**Delivery:** 8 rear panel brackets, 16 pieces extrude-tite M6x12. EPDM sealing part.

W	Part No.
400	CRPK04
500	CRPK05
600	CRPK06
800	CRPK08
1000	CRPK10
1200	CRPK12
1600	CRPK16

## Stainless steel rear panel mounting kit CRPKS

**Description:** Standard mounting accessories for the back panel.

**Delivery:** 8 rear panel brackets, 16 pieces extrude-tite M6x12. EPDM sealing part.

W	Part No.
600	CRPKS06
800	CRPKS08
1200	CRPKS12
1600	CRPKS16*

\* Includes vertical divider.



# Floor Standing Enclosures Replacement parts

## Side panel for MCM | SPM

**Description:** Easy one-man assembly. Sealed by an extruded, one piece polyurethane gasket and mounted with 8 screws. Can be replaced by the side door DS.

**Material:** 1.5 mm steel plate.

**Finish:** RAL7035 structured powder coating.

**Pack quantity:** 2 panels with mounting accessories.

**Protection:** IP 56, NEMA 4, 12 & 13

W	D	Part No.
1600	600	SPM1606MCM
	800	SPM1608MCM



## Door plastic support | DPSL

**Description:** Helps to centre the door in case of uneven floor, easier closing and positioning of a heavily equipped door (cooling units, etc.). Mounted directly to the door frame on the bottom and top of the door. Highly recommended when fitting loads from 30 kg on door.

**Delivery:** 2 plastic supports with mounting accessories.

Part No.
DPSL01



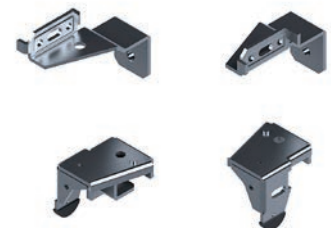
## Mounting plate brackets | MPA

**Description:** To fix mounting plates to the furthest position in the rear of the enclosure, including adjustment brackets for depth adjustment in steps of 25 mm. Brackets are needed when an extra mounting plate is required or when the enclosure is ordered without mounting plate (PE).

**Material:** 3 mm zinc plated steel.

**Delivery:** 2 top brackets, 2 bottom sliding brackets and 2 adjustment brackets with mounting accessories.

Part No.
MPA06



# Floor Standing Enclosures Replacement parts

# 02

Floor Standing Enclosures

## Bottom plate | CBP

**Description:** Consist of three or four pieces for easy cable access. To achieve perfect sealing around the cables use the gasket kit BG01.

**Material:** Zinc plated steel.

**Pack quantity:** 1 kit of two part bottom plate.



W	D	Part No.
400	400	CBP044
	500	CBP045
	600	CBP046
	800	CBP048
500	500	CBP055
600	300	CBP063
	400	CBP064
	500	CBP065
	600	CBP066
	800	CBP068
	300	CBP083
	400	CBP084
	500	CBP085
800	600	CBP086
	800	CBP088
	400	CBP104
	500	CBP105
	600	CBP106
	800	CBP108
1200	300	CBP123
	400	CBP124
	500	CBP125
	600	CBP126
1600	800	CBP128
	400	CBP164
	500	CBP165
	600	CBP166

# Floor Standing Enclosures Replacement parts

## Stainless steel bottom plate | CBPS

**Description:** One-piece bottom plate with injected polyurethane gasket to ensure maximum sealing.

**Material:** 1.5 mm AISI 304L stainless steel plate.

**Finish:** 2405 pre-grained stainless steel (0.5 microns average).

**Pack quantity:** 1 kit of one bottom plate (1200 mm or two bottom plates)



W	D	Part No.
600	400	CBPS064
	500	CBPS065
	600	CBPS066
800	400	CBPS084
	500	CBPS085
	600	CBPS086
1000	400	CBPS104
	500	CBPS105
	600	CBPS106
1200	400	2 x CBPS064
	500	2 x CBPS065
	600	2 x CBPS066
1600	400	2 x CBPS084

## Bottom plate screws | CBPK

**Description:** Standard mounting accessories for the bottom plate.

**Pack quantity:** 8 bottom plate screws.

Part No.
CBPK08



## Stainless steel bottom plate screws CBPSK

**Description:** Standard mounting accessories for the stainless steel bottom plate.

**Pack quantity:** 6 bottom plate screws.

Part No.
CBPSK08



# Floor Standing Enclosures Replacement parts

# 02

Floor Standing Enclosures

## Stainless steel floor standing compact enclosure sliding profiles EKSSP

**Description:** Depth profiles for floor standing compact enclosures.

**Material:** 2 mm zinc plated steel.

**Pack quantity:** 1 profile with mounting accessories.



D	Location	Part No.
300	Top Right	EKSSP30TR
	Top Left	EKSSP30TL
	Bottom Right	EKSSP30BR
	Bottom Left	EKSSP30BL
400	Top Right	EKSSP40TR
	Top Left	EKSSP40TL
	Bottom Right	EKSSP40BR
	Bottom Left	EKSSP40BL
500	Top Right	EKSSP50TR
	Top Left	EKSSP50TL
	Bottom Right	EKSSP50BR
	Bottom Left	EKSSP50BL

## Stainless steel floor standing compact and combinable middle profiles EKSMF

**Description:** Depth middle profiles for double door 1600mm wide floor standing compact enclosures.

**Material:** 2 mm zinc plated steel.

**Pack quantity:** 1 profile with mounting accessories.



D	Part No.
400	EKSMF04
500	EKSMF05
600	EKSMF06

## Monitor door | DPM

**Description:** Monitor door, mounted with two hinges, safety glass. Viewing area for 14"– 21" monitor.

**Pack quantity:** 1 complete monitor door.

Part No.
DPM0506



# Floor Standing Enclosures Replacement parts

## Monitor door | DPMB

**Description:** Mounted with two hinges per door, two point locking system.

**Pack quantity:** 1 complete door.

Part No.
DPMB0806



## Hinged keyboard tray | DPK

**Description:** Horizontal hinged keyboard tray with lateral sliding mouse pad (L.H. or R.H.). Equipped with panel stay. When the tray is folded out, the enclosure is sealed for dust ingress by a closed chamber.

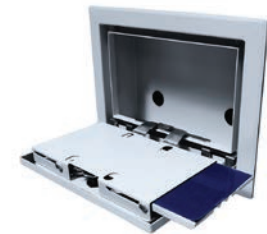
**Material:** 1.75 mm steel plate.

**Finish:** RAL 7035 structured powder coating.

**Pack quantity:** 1 door with hinges, lock, keyboard mounting support, mouse pad and mounting accessories.

**Sizes:** Max keyboard height 185 mm, width 470 mm, depth 50 mm.

W	D	Part No.
250	600	DPK06R5









# Floor Standing Enclosures

## Spare parts

# 02

Floor Standing Enclosures

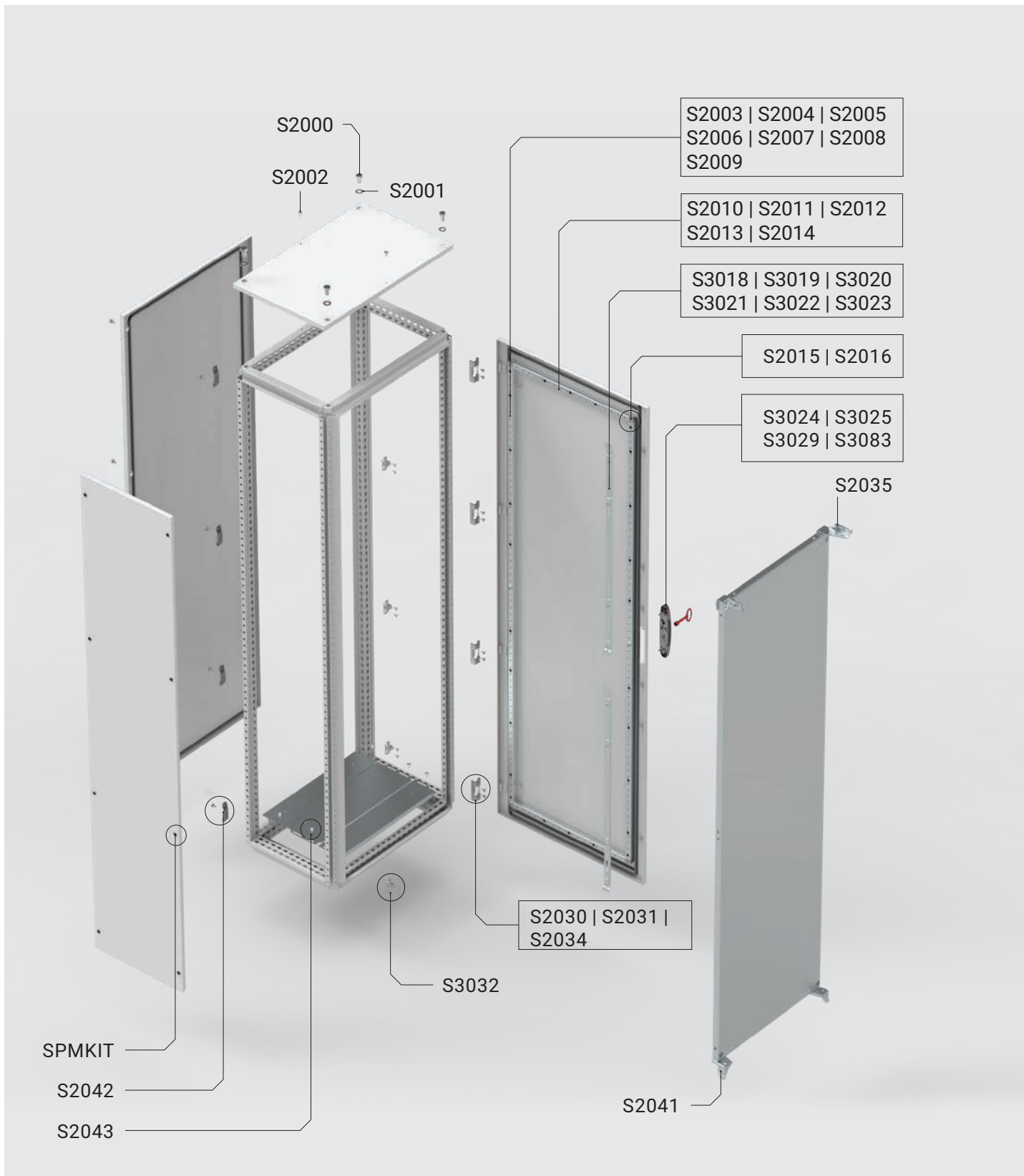
### Spare parts

Mild steel	Single door enclosure, combinable version   MCS	82
	Double door enclosure, combinable version   MCD	84
	IP protected ICT rack   MCI	86
	Industrial computer enclosure   MCM	88
	Single door enclosure, compact version   MKS	90
	Double door enclosure, compact version   MKD	92
Stainless steel	Single door enclosure, combinable version   MCSS	94
	Double door enclosure, combinable version   MCDS	96
	Single door enclosure, compact version   EKSS	98
	Double door enclosure, combinable version   EKDS	100

# Floor Standing Enclosures | Spare parts

## Mild steel

### Single door enclosure, combinable version | MCS



# 02

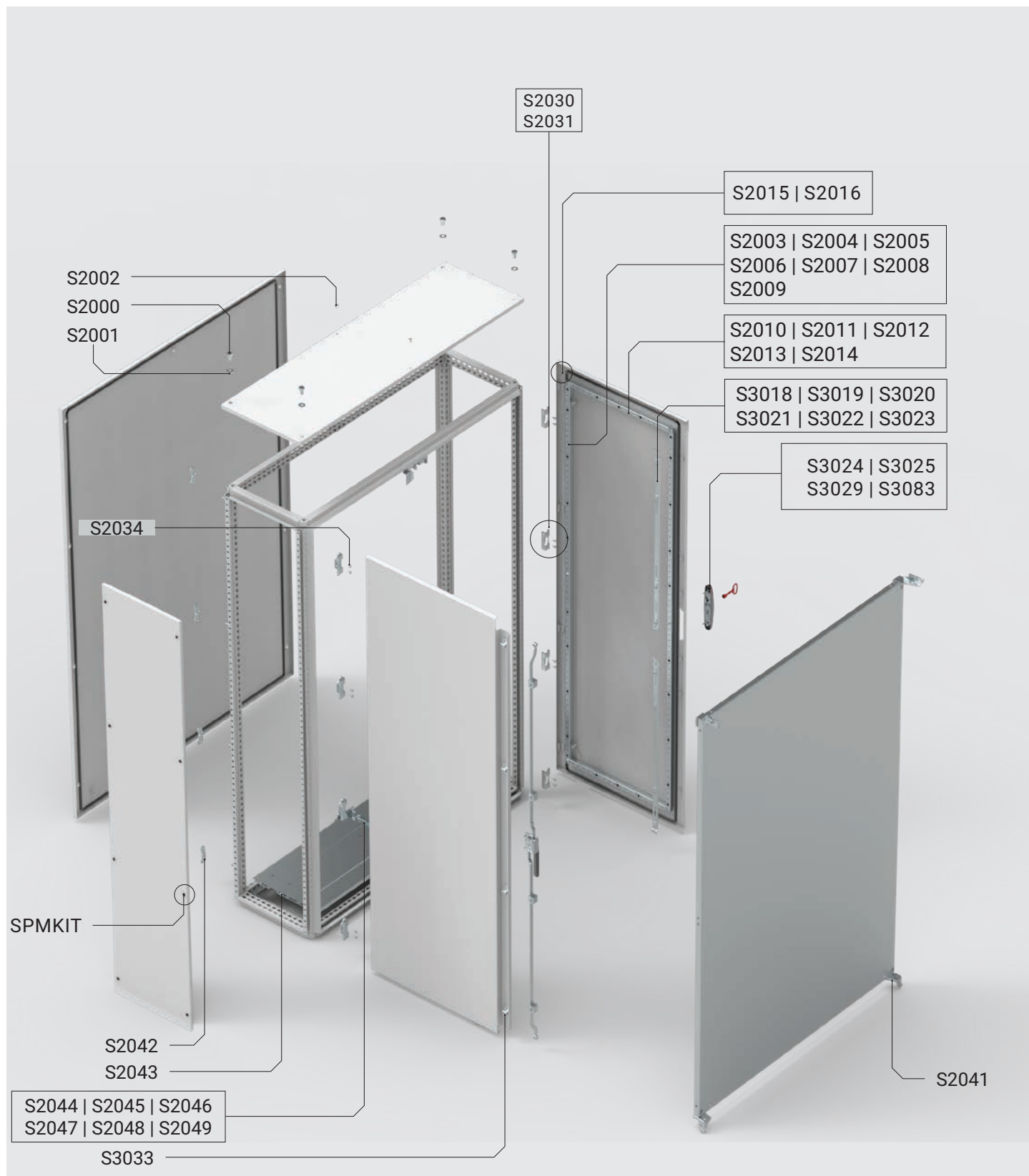
## Floor Standing Enclosures

Spare part	Pack quantity	Description
S2000	100	Hexagon screw M12x20 DIN 933
S2001	100	M12 nylon washer
S2002	100	Extrude-tite screw M6x12
S2003	10	Door frame vertical profile 1100 mm
S2004	10	Door frame vertical profile 1200 mm
S2005	10	Door frame vertical profile 1400 mm
S2006	10	Door frame vertical profile 1600 mm
S2007	10	Door frame vertical profile 1800 mm
S2008	10	Door frame vertical profile 2000 mm
S2009	10	Door frame vertical profile 2200 mm
S2010	10	Door frame horizontal profile 400 mm
S2011	10	Door frame horizontal profile 500 mm
S2012	10	Door frame horizontal profile 600 mm
S2013	10	Door frame horizontal profile 800 mm
S2014	10	Door frame horizontal profile 1000 mm
S2015	10	Door frame corner pieces
S2016	100	Door frame corner nuts
S3018	10	Locking system rods 1100
S3019	10	Locking system rods 1400
S3020	10	Locking system rods 1600
S3021	10	Locking system rods 1800
S3022	10	Locking system rods 2000
S3023	10	Locking system rods 2200
S3024	10	Locking system cover
S3025	10	Metallic insert
S3029	100	Cover screw
S2030	10	Hinge base
S2031	10	Hinge pins
S3032	10	Lock catch roller
S2034	100	Countersunk extrude-tite M6x12 screws
S2035	100	Cagenut M6 T=1,5 mm
S3037	100	Locking nuts
S2041	50	MP bottom screw
S2042	40	Rear panel bracket
S2043	100	Bottom plate screw ST5.5x10
S2056	100	IP plugs 5,5 mm
S2057	100	IP plugs 8 mm
S3083	10	Plastic transparent lock covers
SPMKIT1N	16	Side panel quick fixation (Depth <700 mm)
SPMKIT2N	18	Side panel quick fixation (Depth ≥700 mm)

# Floor Standing Enclosures | Spare parts

## Mild steel

Double door enclosure, combinable version | MCD



# 02

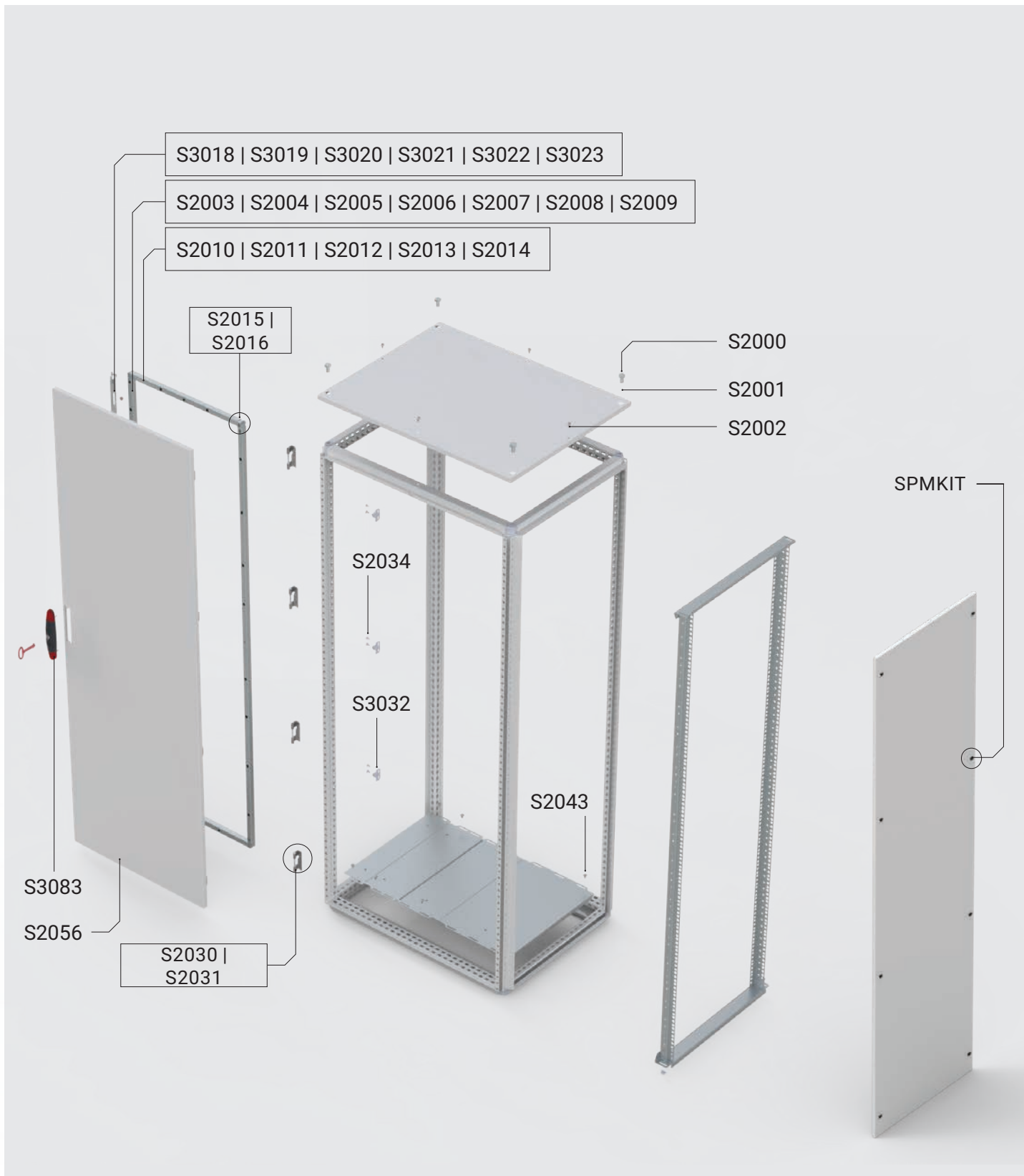
## Floor Standing Enclosures

Spare part	Pack quantity	Description
S2000	100	Hexagon screw M12x20 DIN 933
S2001	100	M12 nylon washer
S2002	100	Extrude-tite screw M6x12
S2003	10	Door frame vertical profile 1100 mm
S2004	10	Door frame vertical profile 1200 mm
S2005	10	Door frame vertical profile 1400 mm
S2006	10	Door frame vertical profile 1600 mm
S2007	10	Door frame vertical profile 1800 mm
S2008	10	Door frame vertical profile 2000 mm
S2009	10	Door frame vertical profile 2200 mm
S2010	10	Door frame horizontal profile 400 mm
S2011	10	Door frame horizontal profile 500 mm
S2012	10	Door frame horizontal profile 600 mm
S2013	10	Door frame horizontal profile 800 mm
S2014	10	Door frame horizontal profile 1000 mm
S2015	10	Door frame corner pieces
S2016	100	Door frame corner nuts
S3018	10	Locking system rods 1100
S3019	10	Locking system rods 1400
S3020	10	Locking system rods 1600
S3021	10	Locking system rods 1800
S3022	10	Locking system rods 2000
S3023	10	Locking system rods 2200
S3024	10	Locking system cover
S3025	10	Metallic insert
S3029	100	Locking cover screw M5x10 T25
S2030	10	Hinge base
S2031	10	Hinge pins
S3033	10	Lock catch roller
S2034	100	Countersunk extrude-tite M6x12 screws
S2041	50	MP bottom screw
S2042	40	Rear panel bracket
S2043	100	Bottom plate screw ST5.5x10
S2044	10	Middle bottom mounting profile 300 mm
S2045	10	Middle bottom mounting profile 400 mm
S2046	10	Middle bottom mounting profile 500 mm
S2047	10	Middle bottom mounting profile 600 mm
S2048	10	Middle bottom mounting profile 800 mm
S2049	10	Middle bottom mounting profile 1000 mm
S2050	10	Middle top profile 300 mm
S2051	10	Middle top profile 400 mm
S2052	10	Middle top profile 500 mm
S2053	10	Middle top profile 600 mm
S2054	10	Middle top profile 800 mm
S2055	10	Middle top profile 1000 mm
S2056	100	IP plugs 5,5 mm
S2057	100	IP plugs 8 mm
S3083	10	Plastic transparent lock covers
SPMKIT1N	16	Side panel quick fixation (Depth < 700 mm)
SPMKIT2N	18	Side panel quick fixation (Depth ≥ 700 mm)

# Floor Standing Enclosures | Spare parts

## Mild steel

### IP protected ICT rack | MCI



# 02

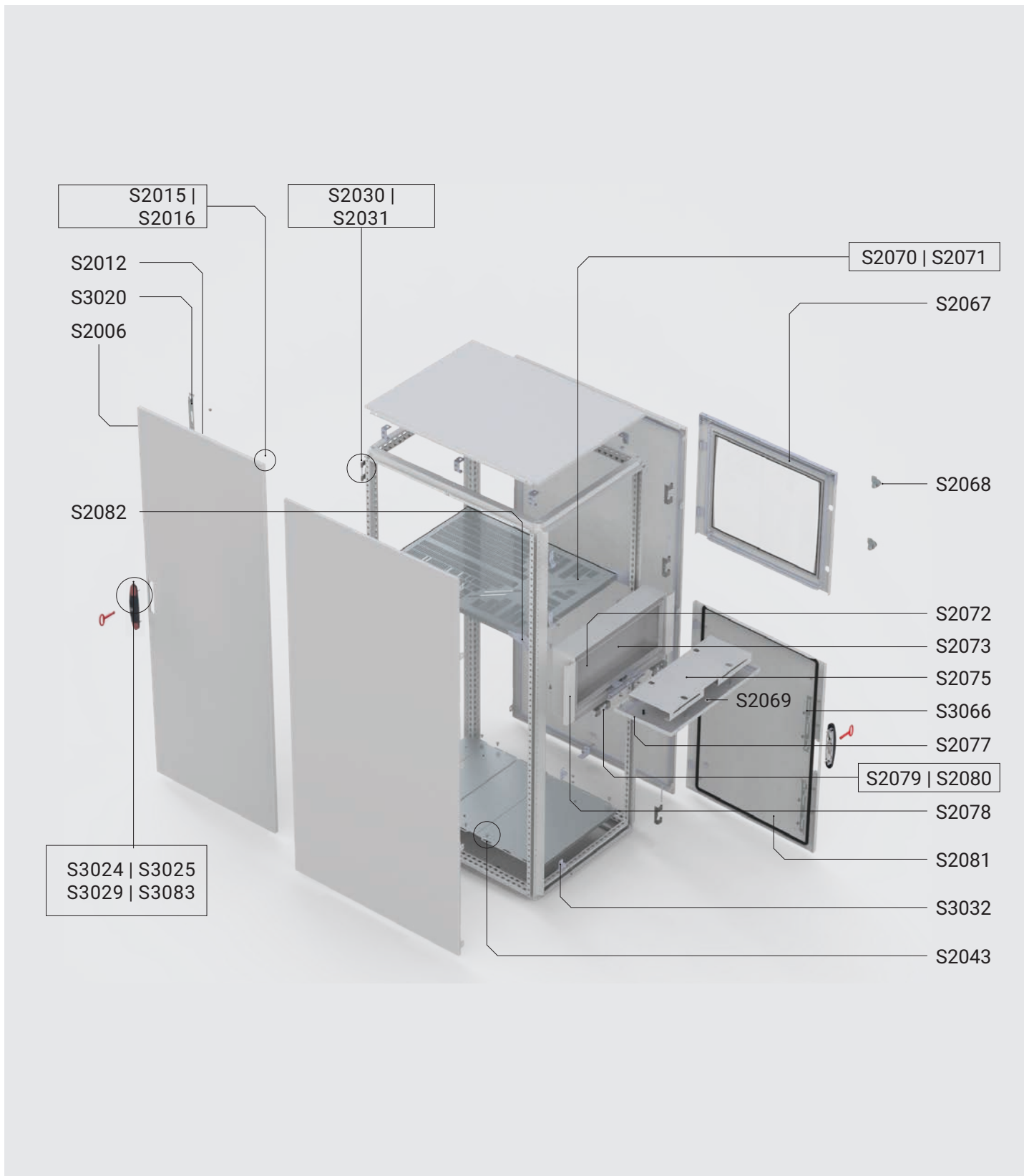
## Floor Standing Enclosures

Spare part	Pack quantity	Description
S2000	100	Hexagon screw M12x20 DIN 933
S2001	100	M12 nylon washer
S2002	100	Extrude-tite screw M6x12
S2003	10	Door frame vertical profile 1100 mm
S2004	10	Door frame vertical profile 1200 mm
S2005	10	Door frame vertical profile 1400 mm
S2006	10	Door frame vertical profile 1600 mm
S2007	10	Door frame vertical profile 1800 mm
S2008	10	Door frame vertical profile 2000 mm
S2009	10	Door frame vertical profile 2200 mm
S2010	10	Door frame horizontal profile 400 mm
S2011	10	Door frame horizontal profile 500 mm
S2012	10	Door frame horizontal profile 600 mm
S2013	10	Door frame horizontal profile 800 mm
S2014	10	Door frame horizontal profile 1000 mm
S2015	10	Door frame corner pieces
S2016	100	Door frame corner nuts
S3018	10	Locking system rods 1100
S3019	10	Locking system rods 1400
S3020	10	Locking system rods 1600
S3021	10	Locking system rods 1800
S3022	10	Locking system rods 2000
S3023	10	Locking system rods 2200
S3024	10	Locking system cover
S3025	10	Metallic insert
S3029	100	Locking cover screw M5x10 T25
S2030	10	Hinge base
S2031	10	Hinge pins
S3032	10	Lock catch roller
S2034	100	Countersunk extrude tite M6x12 screws
S2035	100	Cagenut M6 T=1,5 mm
S2043	100	Bottom plate screw ST5.5x10
S2056	100	IP plugs 5,5 mm
S2057	100	IP plugs 8 mm
S3083	10	Plastic transparent lock covers
SPMKIT1N	16	Side panel quick fixation (Depth < 700 mm)
SPMKIT2N	18	Side panel quick fixation (Depth ≥ 700 mm)

# Floor Standing Enclosures | Spare parts

## Mild steel

### Industrial computer enclosure | MCM





# 02

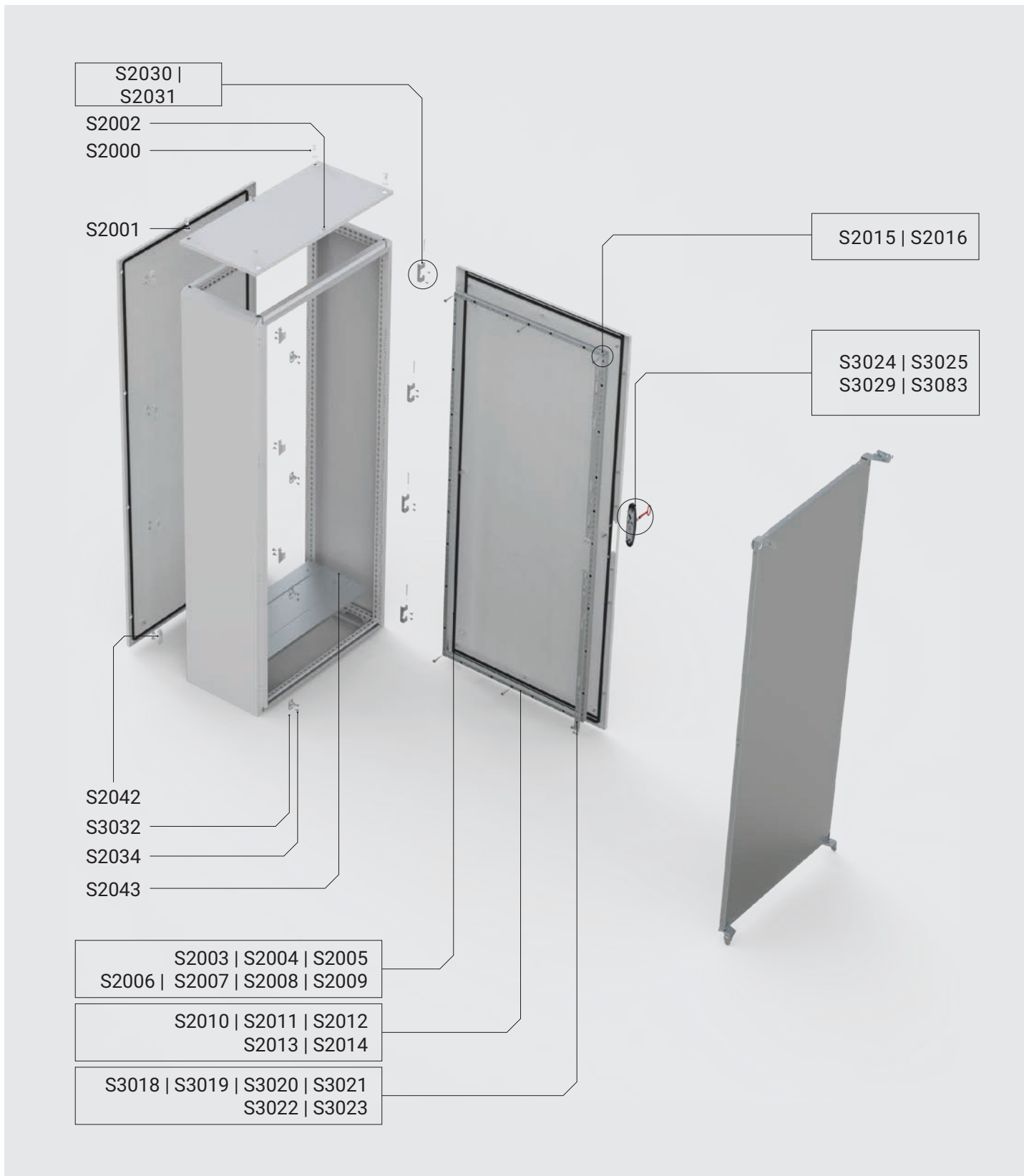
## Floor Standing Enclosures

Spare part	Pack quantity	Description
S2006	10	Door frame vertical profile 1600 mm
S2012	10	Door frame horizontal profile 600 mm
S2015	10	Door frame corner pieces
S2016	100	Door frame corner nuts
S3020	10	Locking system rods 1600
S3024	10	Locking system cover
S3025	10	Metallic insert
S3029	100	Locking cover screw M5x10 T25
S2030	10	Hinge base
S2031	10	Hinge pins
S3032	10	Lock catch roller
S2034	100	Countersunk extrude tite M6x12 screws
S3037	100	Locking nuts
S2043	100	Bottom plate screw ST5.5x10
S2056	100	IP plugs 5,5 mm
S2057	100	IP plugs 8 mm
S3066	10	Locking system rods 200
S2067	1	Monitor door
S2068	10	Panel lock (21 mm Latch) C21323
S2069	10	Lock for keyboard tray
S2070	1	Shelf 066 MCM
S2071	1	Shelf 068 MCM
S2072	50	Cable inlet thule b=28
S2073	1	Closing box MCM
S2074	1	Bracket keyboard MCM, galv
S2075	1	Keyboard-plate MCM (RAL 7035)
S2076	1	Mouse-plate MCM (RAL 7035)
S2077	1	Keyboard panel MCM
S2078	1	Keyboard frame MCM (RAL 7015)
S2079	10	Keyboard tray hinge
S2080	10	Keyboard tray hinge pin
S2081	1	Bottom door MCM
S2082	10	Bracket monitorshelf MCM, galv
S3083	10	Plastic transparent lock covers

# Floor Standing Enclosures | Spare parts

## Mild steel

### Single door enclosure, compact version | MKS



# 02

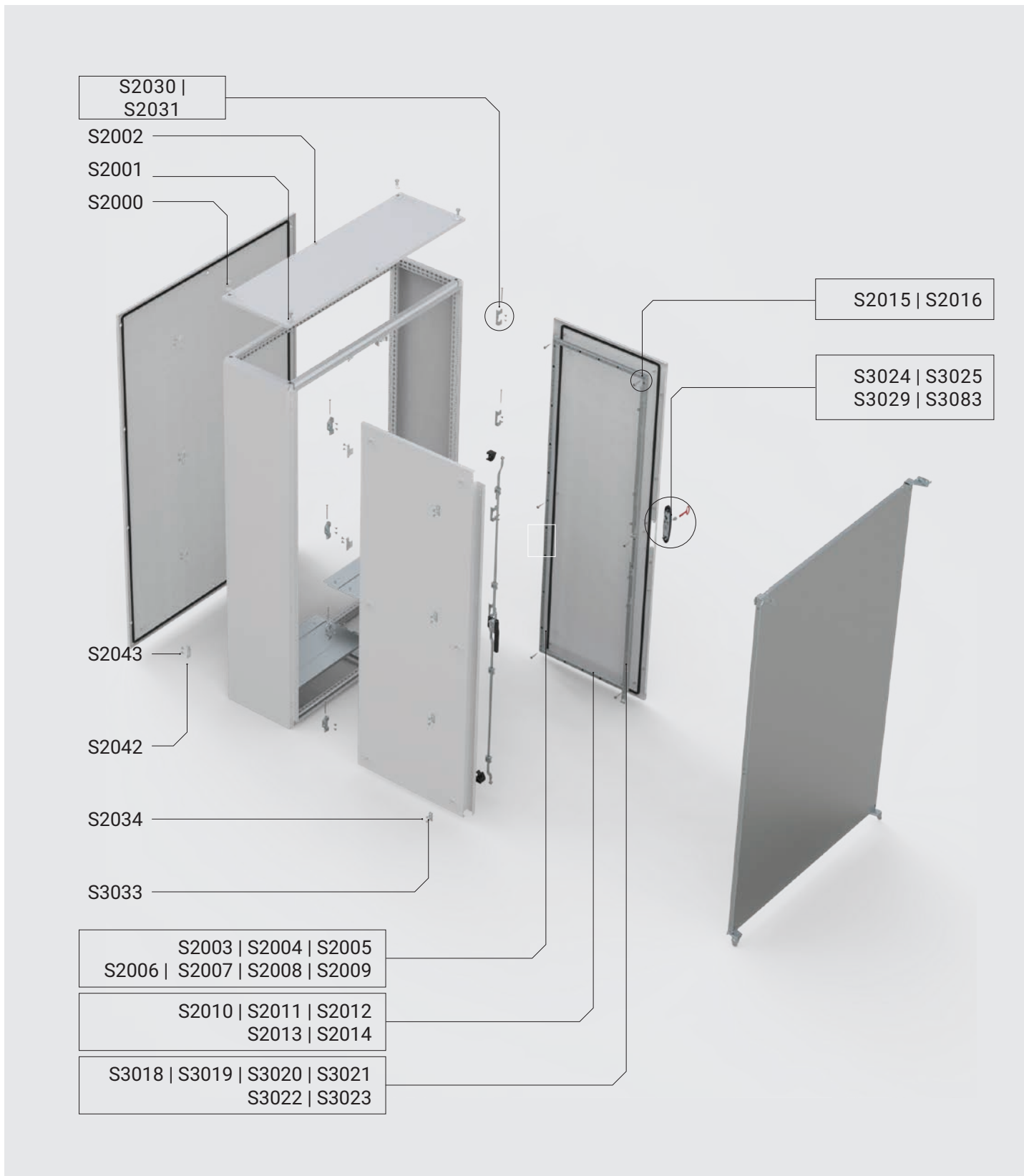
## Floor Standing Enclosures

Spare part	Pack quantity	Description
S2000	100	Hexagon screw M12x20 DIN 933
S2001	100	M12 nylon washer
S2002	100	Extrude-tite screw M6x12
S2003	10	Door frame vertical profile 1100 mm
S2004	10	Door frame vertical profile 1200 mm
S2005	10	Door frame vertical profile 1400 mm
S2006	10	Door frame vertical profile 1600 mm
S2007	10	Door frame vertical profile 1800 mm
S2008	10	Door frame vertical profile 2000 mm
S2009	10	Door frame vertical profile 2200 mm
S2010	10	Door frame horizontal profile 400 mm
S2011	10	Door frame horizontal profile 500 mm
S2012	10	Door frame horizontal profile 600 mm
S2013	10	Door frame horizontal profile 800 mm
S2014	10	Door frame horizontal profile 1000 mm
S2015	10	Door frame corner pieces
S2016	100	Door frame corner nuts
S3018	10	Locking system rods 1100
S3019	10	Locking system rods 1400
S3020	10	Locking system rods 1600
S3021	10	Locking system rods 1800
S3022	10	Locking system rods 2000
S3023	10	Locking system rods 2200
S3024	10	Locking system cover
S3025	10	Metallic insert
S3029	100	Locking cover screw M5x10 T25
S2030	10	Hinge base
S2031	10	Hinge pins
S3032	10	Lock catch roller
S2034	100	Countersunk extrude tite M6x12 screws
S2039	50	MP top screw
S2040	100	Screw M6x12 DIN 7985 T30 Galv
S2041	50	MP bottom screw
S2042	40	Rear panel bracket
S2043	100	Bottom plate screw ST5.5x10
S2056	100	IP plugs 5.5 mm
S2057	100	IP plugs 8 mm
S3083	10	Plastic transparent lock covers

# Floor Standing Enclosures | Spare parts

## Mild steel

### Double door enclosure, compact version | MKD



# 02

## Floor Standing Enclosures

Spare part	Pack quantity	Description
S2000	100	Hexagon screw M12x20 DIN 933
S2001	100	M12 nylon washer
S2002	100	Extrude-tite screw M6x12
S2003	10	Door frame vertical profile 1100 mm
S2004	10	Door frame vertical profile 1200 mm
S2005	10	Door frame vertical profile 1400 mm
S2006	10	Door frame vertical profile 1600 mm
S2007	10	Door frame vertical profile 1800 mm
S2008	10	Door frame vertical profile 2000 mm
S2009	10	Door frame vertical profile 2200 mm
S2010	10	Door frame horizontal profile 400 mm
S2011	10	Door frame horizontal profile 500 mm
S2012	10	Door frame horizontal profile 600 mm
S2013	10	Door frame horizontal profile 800 mm
S2014	10	Door frame horizontal profile 1000 mm
S2015	10	Door frame corner pieces
S2016	100	Door frame corner nuts
S3018	10	Locking system rods 1100
S3019	10	Locking system rods 1400
S3020	10	Locking system rods 1600
S3021	10	Locking system rods 1800
S3022	10	Locking system rods 2000
S3023	10	Locking system rods 2200
S3024	10	Locking system cover
S3025	10	Metallic insert
S3029	100	Locking cover screw M5x10 T25
S2030	10	Hinge base
S2031	10	Hinge pins
S3033	10	Lock catch roller
S2034	100	Countersunk extrude tite M6x12 screws
S2035	100	Cagenut M6 T=1.5 mm
S3037	100	Locking nuts
S2039	50	MP top screw
S2040	100	Screw M6x12 DIN 7985 T30 Galv
S2041	50	MP bottom screw
S2042	40	Rear panel bracket
S2043	100	Bottom plate screw ST5.5x10
S2044	10	Middle bottom mounting profile 300 mm
S2045	10	Middle bottom mounting profile 400 mm
S2046	10	Middlebottom mounting profile 500 mm
S2047	10	Middle bottom mounting profile 600 mm
S2048	10	Middle bottom mounting profile 800 mm
S2049	10	Middle bottom mounting profile 1000 mm
S2050	10	Middle top profile 300 mm
S2051	10	Middle top profile 400 mm
S2052	10	Middle top profile 500 mm
S2053	10	Middle top profile 600 mm
S2054	10	Middle top profile 800 mm
S2055	10	Middle top profile 1000 mm
S2056	100	IP plugs 5.5 mm
S2057	100	IP plugs 8 mm
S3083	10	Plastic transparent lock covers

# Floor Standing Enclosures | Spare parts

## Stainless steel

### Single door enclosure, combinable version | MCSS



# 02

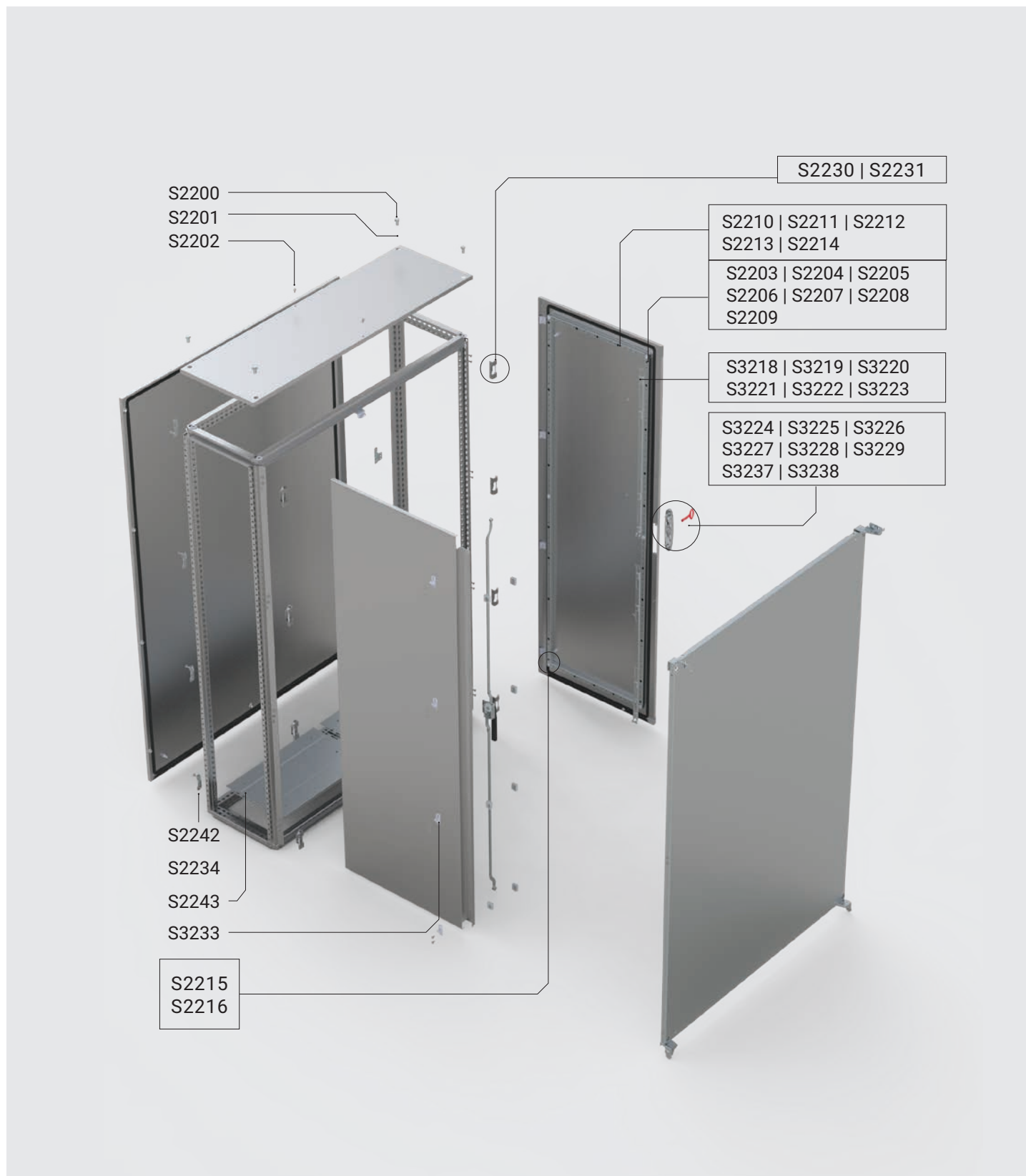
## Floor Standing Enclosures

Spare part	Quantity	Description
S2200	100	Hexagon screw M12x20 DIN 933
S2201	100	M12 nylon washer
S2202	100	Extrude-tite screw M6x12
S2203	10	Door frame vertical profile 1100 mm
S2204	10	Door frame vertical profile 1200 mm
S2205	10	Door frame vertical profile 1400 mm
S2206	10	Door frame vertical profile 1600 mm
S2207	10	Door frame vertical profile 1800 mm
S2208	10	Door frame vertical profile 2000 mm
S2209	10	Door frame vertical profile 2200 mm
S2210	10	Door frame horizontal profile 400 mm
S2211	10	Door frame horizontal profile 500 mm
S2212	10	Door frame horizontal profile 600 mm
S2213	10	Door frame horizontal profile 800 mm
S2214	10	Door frame horizontal profile 1000 mm
S2215	10	Door frame corner pieces
S2216	100	Door frame corner nuts
S3218	10	Locking system rods 1100
S3219	10	Locking system rods 1400
S3220	10	Locking system rods 1600
S3221	10	Locking system rods 1800
S3222	10	Locking system rods 2000
S3223	10	Locking system rods 2200
S3224	10	Locking system cover
S3225	10	Metallic insert
S3229	100	Locking cover screw M5x10 T25
S2230	10	Hinge base
S2231	10	Hinge pins
S3232	10	Lock catch roller
S2234	100	Countersunk extrude tite M6x12 screws
S2235	100	Cagenut M6 T=1,5 mm
S3237	100	Locking nuts
S2239	50	MP top screw
S2240	100	Screw M6x12 DIN 7985 T30 Galv
S2241	50	MP bottom screw
S2242	40	Rear panel bracket
S2243	100	Bottom plate screw ST5.5x10
S2256	100	IP plugs 5,5 mm
S2257	100	IP plugs 8 mm

# Floor Standing Enclosures | Spare parts

## Stainless steel

Double door enclosure, combinable version | MCDS





# 02

## Floor Standing Enclosures

Spare part	Quantity	Description
S2200	100	Hexagon screw M12x20 DIN 933
S2201	100	M12 nylon washer
S2202	100	Extrude-tite screw M6x12
S2203	10	Door frame vertical profile 1100 mm
S2204	10	Door frame vertical profile 1200 mm
S2205	10	Door frame vertical profile 1400 mm
S2206	10	Door frame vertical profile 1600 mm
S2207	10	Door frame vertical profile 1800 mm
S2208	10	Door frame vertical profile 2000 mm
S2209	10	Door frame vertical profile 2200 mm
S2210	10	Door frame horizontal profile 400 mm
S2211	10	Door frame horizontal profile 500 mm
S2212	10	Door frame horizontal profile 600 mm
S2213	10	Door frame horizontal profile 800 mm
S2214	10	Door frame horizontal profile 1000 mm
S2215	10	Door frame corner pieces
S2216	100	Door frame corner nuts
S3217	10	Locking system center rod
S3218	10	Locking system rods 1100
S3219	10	Locking system rods 1400
S3220	10	Locking system rods 1600
S3221	10	Locking system rods 1800
S3222	10	Locking system rods 2000
S3223	10	Locking system rods 2200
S3224	10	Locking system cover
S3225	10	Plastic insert
S3226	10	Locking system plastic gear cover
S3227	10	Locking system gear
S3228	100	Locking system plastic gear cover screws
S3229	100	Locking system gear screw
S2230	10	Hinge base
S2231	10	Hinge pins
S3233	100	Lock catch roller
S2234	100	Countersunk extrude tite M6x12 screws
S2235	50	Cagenut M6 T=1,5 mm
S3237	100	Lock system rod plastic holders
S3238	50	Lock system rod plastic holder nuts
S2239	100	MP top screw
S2240	50	Screw M6x12 DIN 7985 T30 Galv
S2241	40	MP bottom screw
S2242	100	Rear panel bracket
S2243	10	Bottom plate screw ST5.5x10
S2244	10	Middle bottom mounting profile 300 mm
S2245	10	Middle bottom mounting profile 400 mm
S2246	10	Middle bottom mounting profile 500 mm
S2247	10	Middle bottom mounting profile 600 mm
S2248	10	Middle bottom mounting profile 800 mm
S2249	10	Middle bottom mounting profile 1000 mm
S2250	10	Middle top profile 300 mm
S2251	10	Middle top profile 400 mm
S2252	10	Middle top profile 500 mm
S2253	10	Middle top profile 600 mm
S2254	10	Middle top profile 800 mm
S2255	100	Middle top profile 1000 mm
S2256	100	IP plugs 5,5 mm
S2257	50	IP plugs 8 mm

# Floor Standing Enclosures | Spare parts

## Stainless steel

### Single door enclosure, compact version | EKSS



# 02

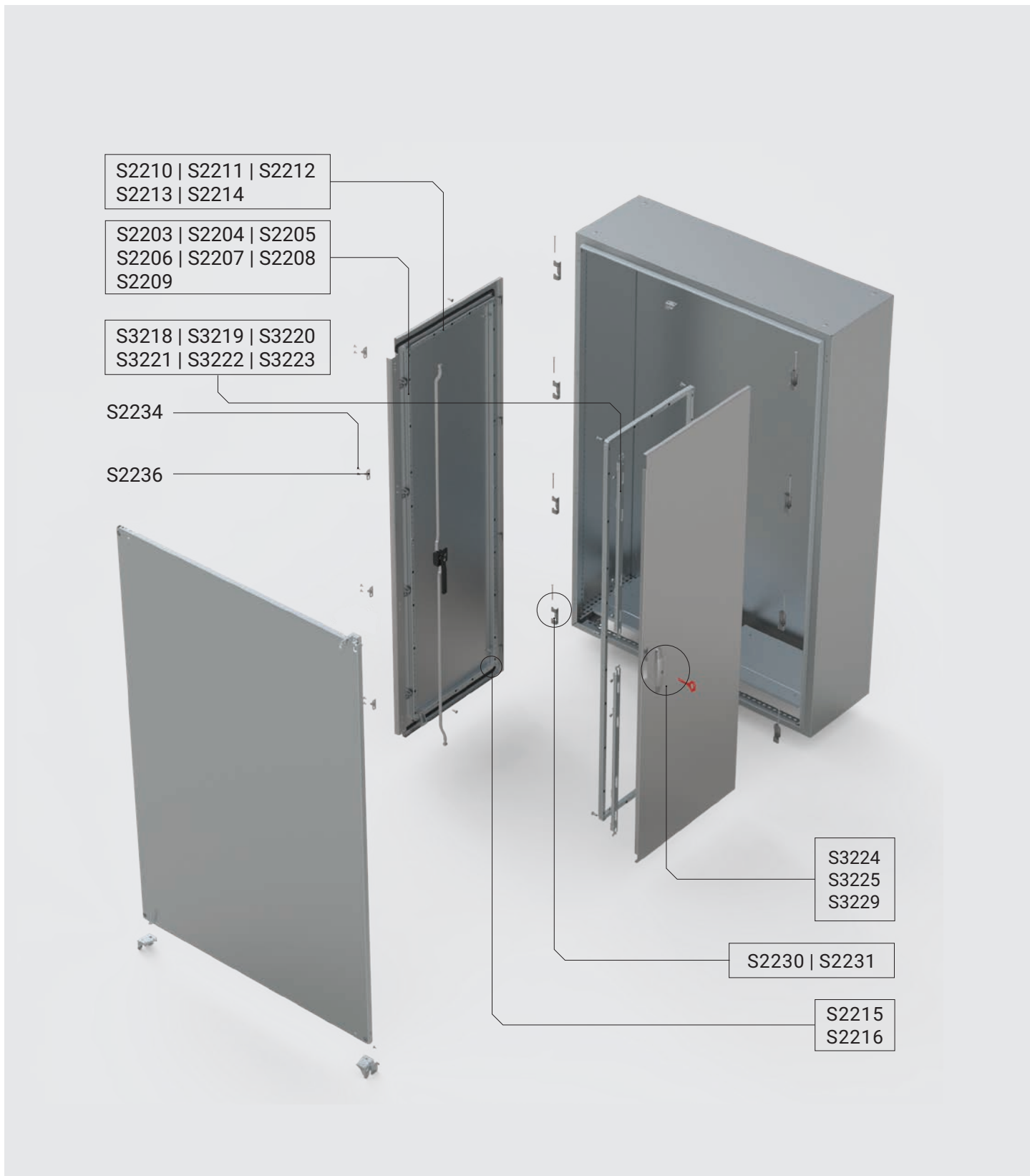
## Floor Standing Enclosures

Spare part	Quantity	Description
S2203	10	Door frame vertical profile 1100 mm
S2204	10	Door frame vertical profile 1200 mm
S2205	10	Door frame vertical profile 1400 mm
S2206	10	Door frame vertical profile 1600 mm
S2207	10	Door frame vertical profile 1800 mm
S2208	10	Door frame vertical profile 2000 mm
S2209	10	Door frame vertical profile 2200 mm
S2210	10	Door frame horizontal profile 400 mm
S2211	10	Door frame horizontal profile 500 mm
S2212	10	Door frame horizontal profile 600 mm
S2213	10	Door frame horizontal profile 800 mm
S2214	10	Door frame horizontal profile 1000 mm
S2215	10	Door frame corner pieces
S2216	100	Door frame corner nuts
S3218	10	Locking system rods 1100
S3219	10	Locking system rods 1400
S3220	10	Locking system rods 1600
S3221	10	Locking system rods 1800
S3222	10	Locking system rods 2000
S3223	10	Locking system rods 2200
S3224	10	Locking system cover
S3225	10	Metallic insert
S3229	100	Locking cover screw M5x10 T25
S2230	10	Hinge base
S2231	10	Hinge pins
S3232	10	Lock catch roller
S2234	100	Countersunk extrude tite M6x12 screws
S2235	100	Cagenut M6 T=1,5 mm
S3237	100	Locking nuts
S2239	50	MP top screw
S2240	100	Screw M6x12 DIN 7985 T30 Galv
S2241	50	MP bottom screw
S2243	100	Bottom plate screw ST5.5x10
S2256	100	IP plugs 5,5 mm
S2257	100	IP plugs 8 mm
S2258	5	Depth profile bottom left
S2259	5	Depth profile bottom right
S2260	5	Depth profile top left
S2261	5	Depth profile top right

# Floor Standing Enclosures | Spare parts

Stainless steel

Double door enclosure, combinable version | EKDS



# 02

## Floor Standing Enclosures

Spare part	Quantity	Description
S2203	10	Door frame vertical profile 1100 mm
S2204	10	Door frame vertical profile 1200 mm
S2205	10	Door frame vertical profile 1400 mm
S2206	10	Door frame vertical profile 1600 mm
S2207	10	Door frame vertical profile 1800 mm
S2208	10	Door frame vertical profile 2000 mm
S2209	10	Door frame vertical profile 2200 mm
S2210	10	Door frame horizontal profile 400 mm
S2211	10	Door frame horizontal profile 500 mm
S2212	10	Door frame horizontal profile 600 mm
S2213	10	Door frame horizontal profile 800 mm
S2214	10	Door frame horizontal profile 1000 mm
S2215	10	Door frame corner pieces
S2216	100	Door frame corner nuts
S3218	10	Locking system rods 1100
S3219	10	Locking system rods 1400
S3220	10	Locking system rods 1600
S3221	10	Locking system rods 1800
S3222	10	Locking system rods 2000
S3223	10	Locking system rods 2200
S3224	10	Locking system cover
S3225	10	Metallic insert
S3229	100	Locking cover screw
S2230	10	Hinge base
S2231	10	Hinge pins
S2234	10	Countersunk extrude tite M6x12 screws
S2235	100	Cagenut M6 T=1,5 mm
S3236	100	Lock catch roller
S3237	100	Locking nuts
S2239	50	MP top screw
S2240	100	Screw M6x12 DIN 7985 T30 Galv
S2241	50	MP bottom screw
S2243	100	Bottom plate screw ST5.5x10
S2256	100	IP plugs 5,5 mm
S2257	100	IP plugs 8 mm
S2258	5	Depth profile bottom left
S2259	5	Depth profile bottom right
S2260	5	Depth profile top left
S2261	5	Depth profile top right
S2262	5	Depth profile bottom 400 D-1600 W
S2263	5	Depth profile bottom 500 D-1600 W
S2264	5	Depth profile top 400 D-1600 W
S2265	5	Depth profile top 500 D-1600 W



Terminal boxes have been designed with versatility in mind. Practical, efficient and with a wide range of standard sizes available from stock, the terminal boxes offer a solution to virtually every application, or can be easily customised to suit specific requirements.

The stainless steel terminal boxes provide high resistance to corrosion and ensure performance of equipment. Intended for harsh environments, this range is the ideal solution for food and chemical industries, pharmaceutical plants, outdoor applications and marine environments.

## Terminal boxes

### Overview

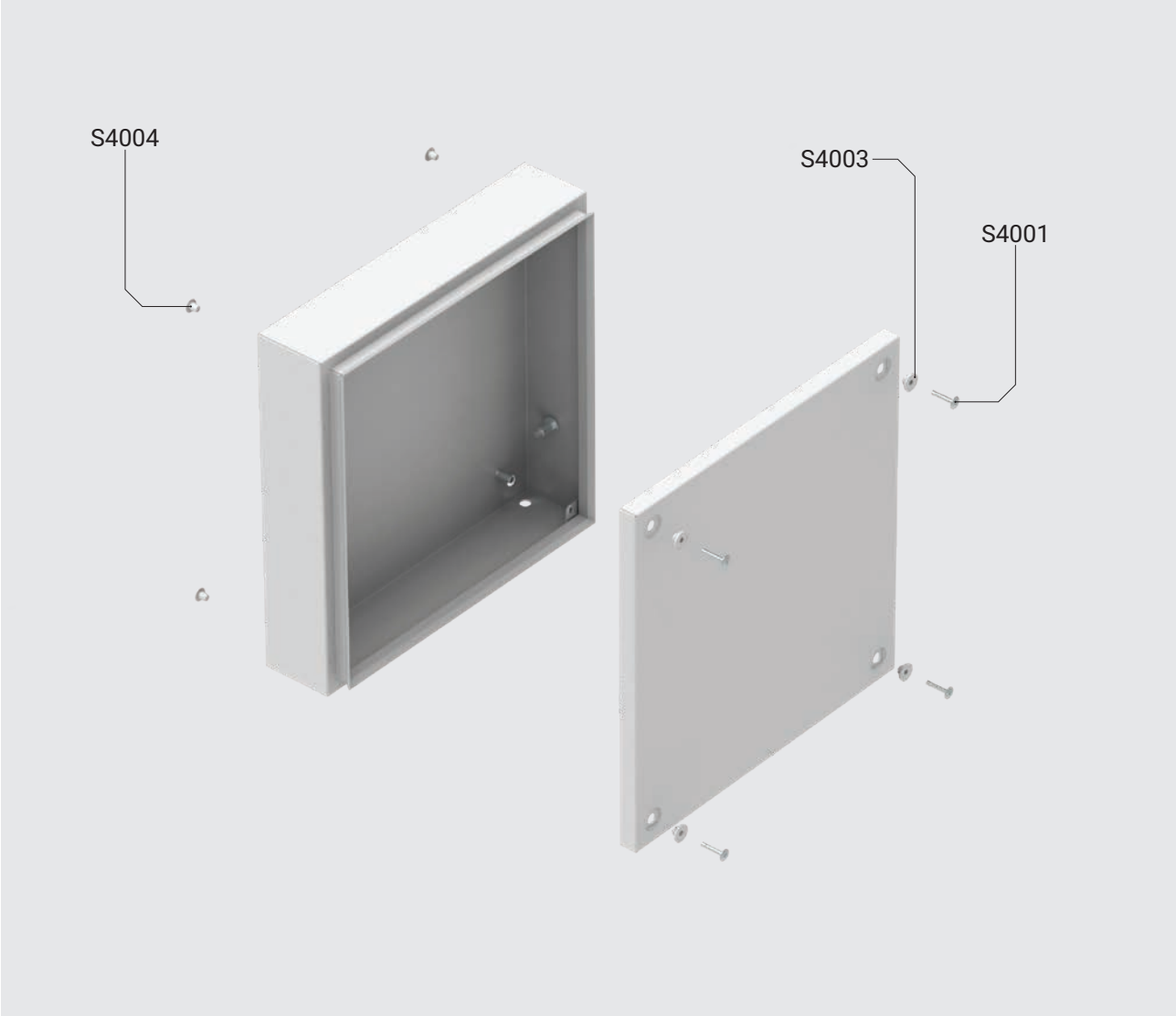
#### Spare parts

Mild steel	Terminal box   STB	104
Stainless steel	Terminal box   SSTB	105
Stainless steel	HDTB Door gasket   HDTBG	106
Stainless steel	HDTB Door gasket   HDTBS	107

# Terminal boxes | Spare parts

## Steel range

### Mild steel terminal box | STB



Spare part	Pack quantity	Description
S4001	50	Spiral cam stud zinc coated
S4003	50	Plastic washer
S4004	50	Rear hole plug



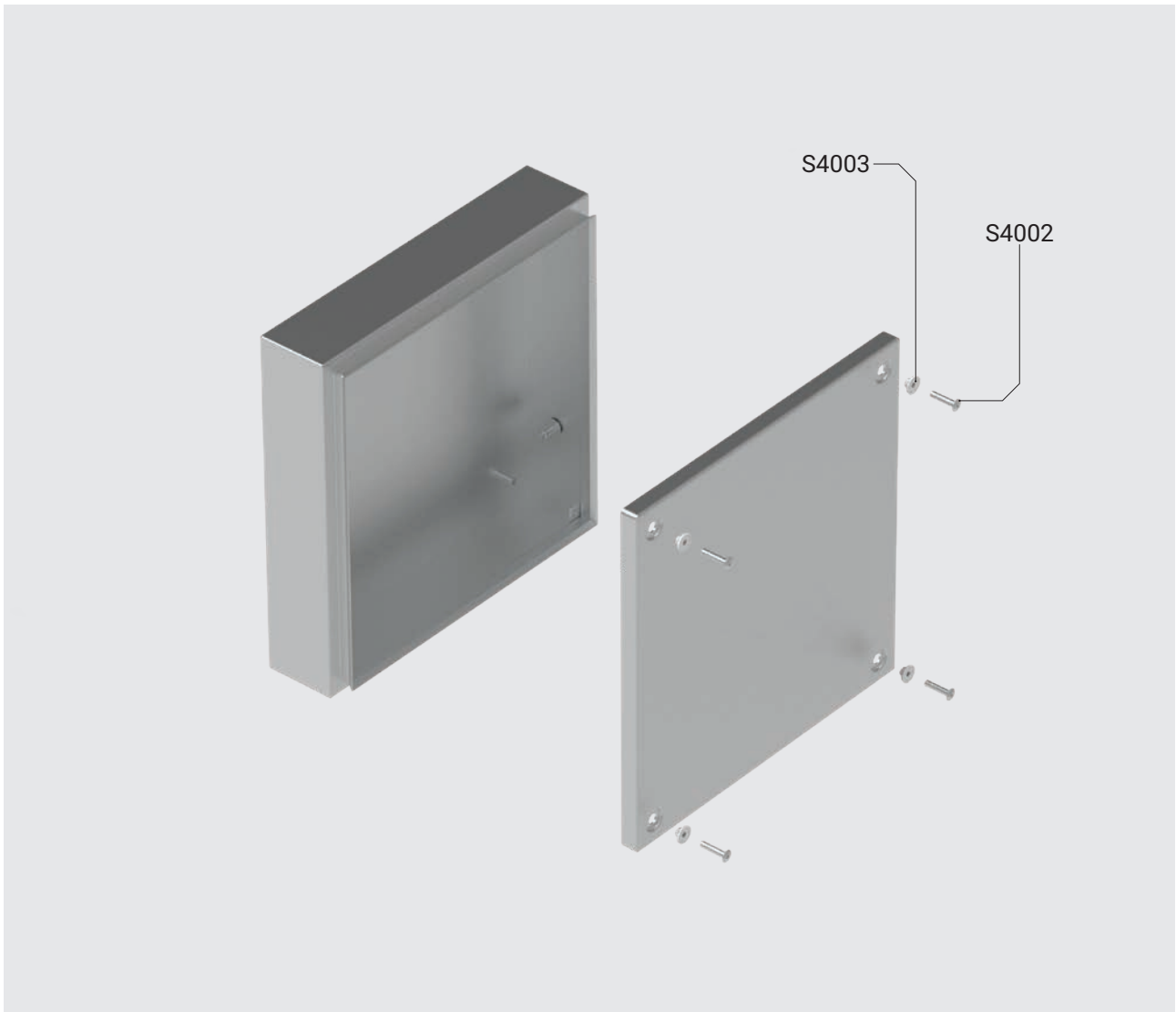
# Terminal boxes | Spare parts

## Steel range

### Stainless steel terminal box | SSTB

# 03

Terminal boxes



Spare part	Pack quantity	Description
S4002	50	Spiral cam stud stainless steel
S4003	50	Plastic washer

# Terminal boxes | Spare parts

## Steel range

### HDTB Door gasket | HDTBG



Spare part	Pack quantity	HDTB dimension (mm)		Description
		H	W	
HDTBG1515	1	171	171	Door gasket for HDTB terminal boxes. Once piece with molded corners. Blue silicone RAL 5010. FDA 21 CFR 177.2600 compliant.
HDTBG2020	1	226	226	Door gasket for HDTB terminal boxes. Once piece with molded corners. Blue silicone RAL 5010. FDA 21 CFR 177.2600 compliant.
HDTBG2030	1	226	326	Door gasket for HDTB terminal boxes. Once piece with molded corners. Blue silicone RAL 5010. FDA 21 CFR 177.2600 compliant.
HDTBG2040	1	226	426	Door gasket for HDTB terminal boxes. Once piece with molded corners. Blue silicone RAL 5010. FDA 21 CFR 177.2600 compliant.
HDTBG3040	1	326	426	Door gasket for HDTB terminal boxes. Once piece with molded corners. Blue silicone RAL 5010. FDA 21 CFR 177.2600 compliant.

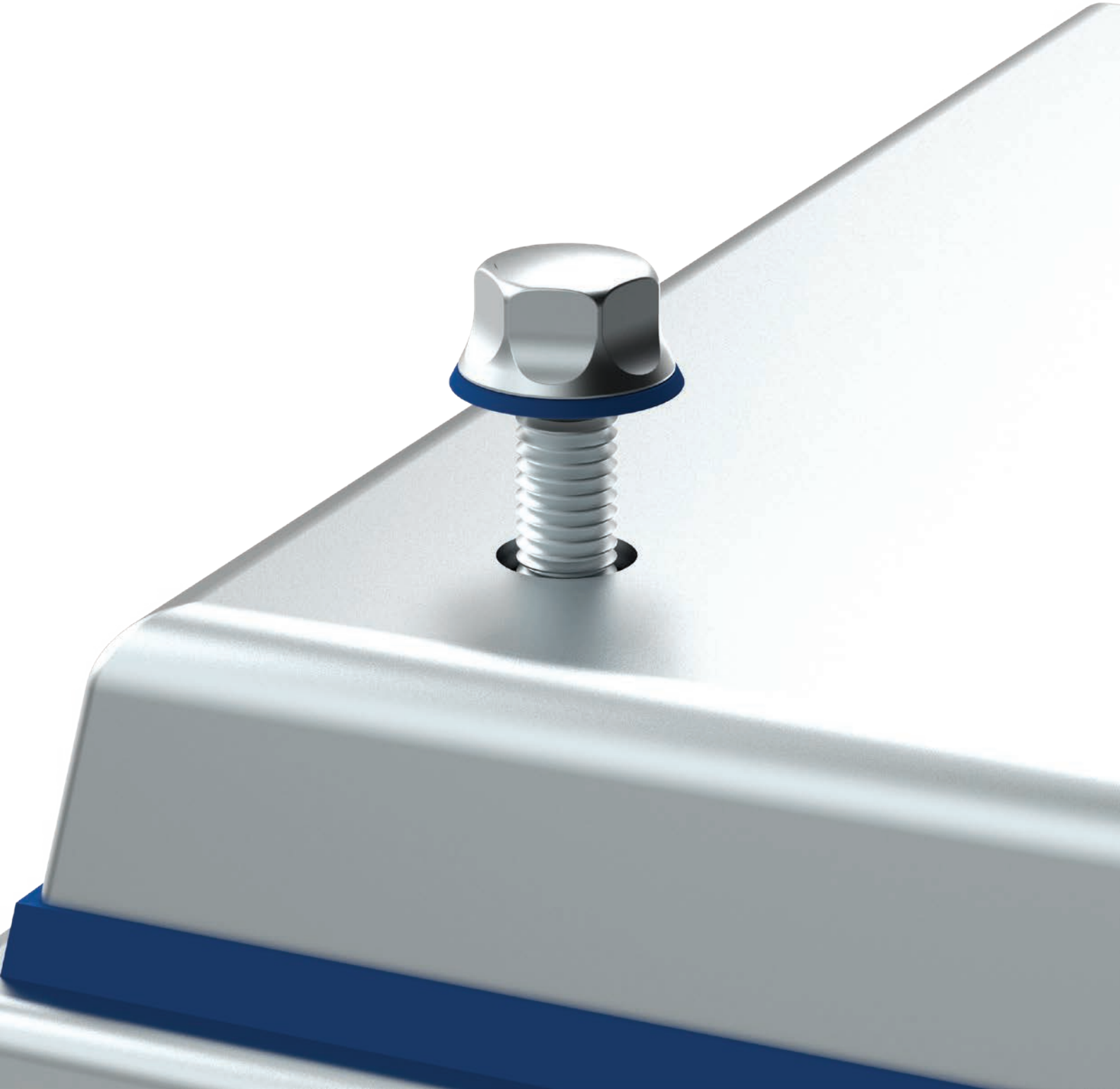
# Terminal boxes | Spare parts

## Steel range

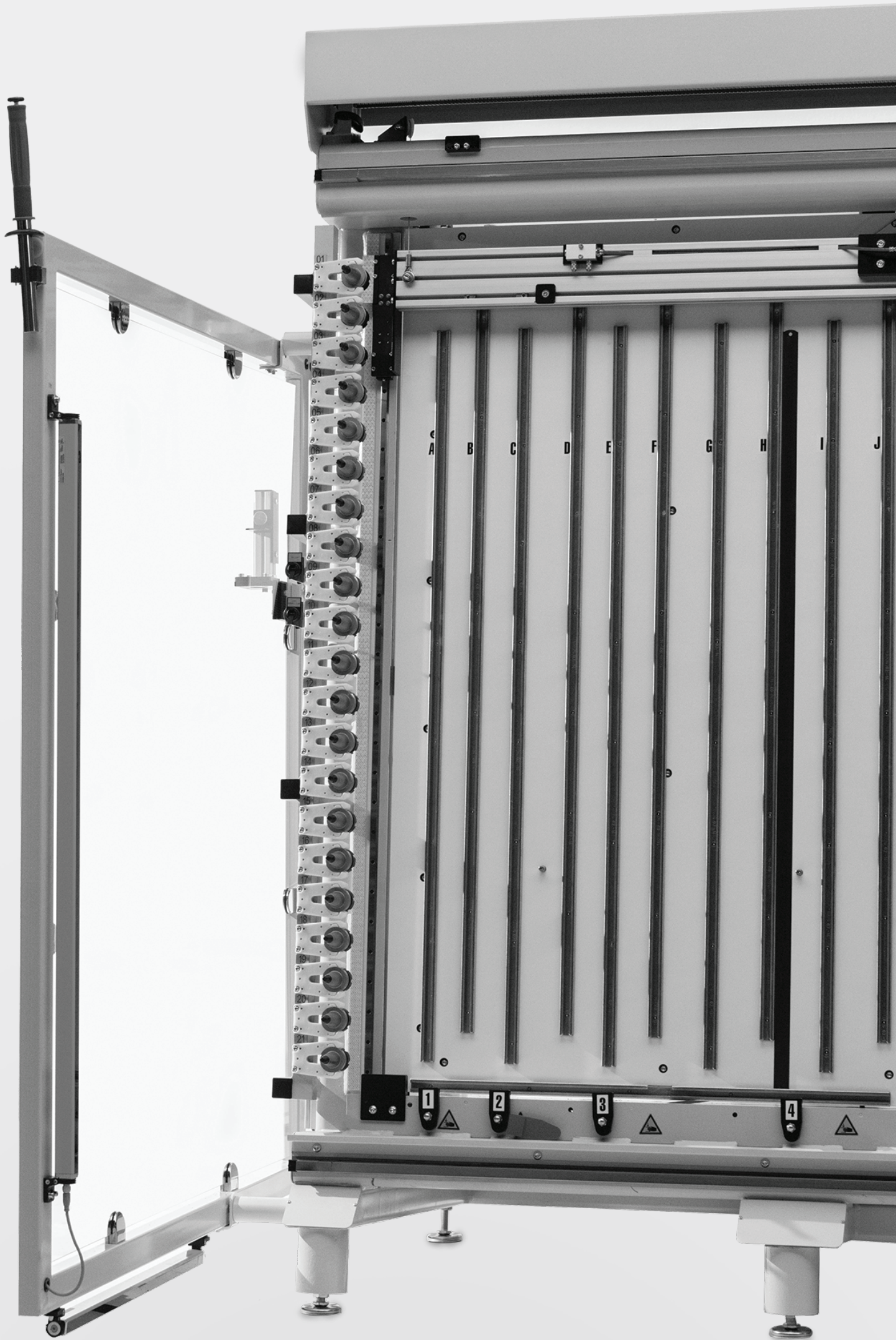
HDTB bolt | HDTBS

# 03

Terminal boxes



Spare part	Pack quantity	Description
HDTBS	1 kit	Bolt for HDTB terminal boxes



# Panel Shop Automation

## Consumable and Spare Parts

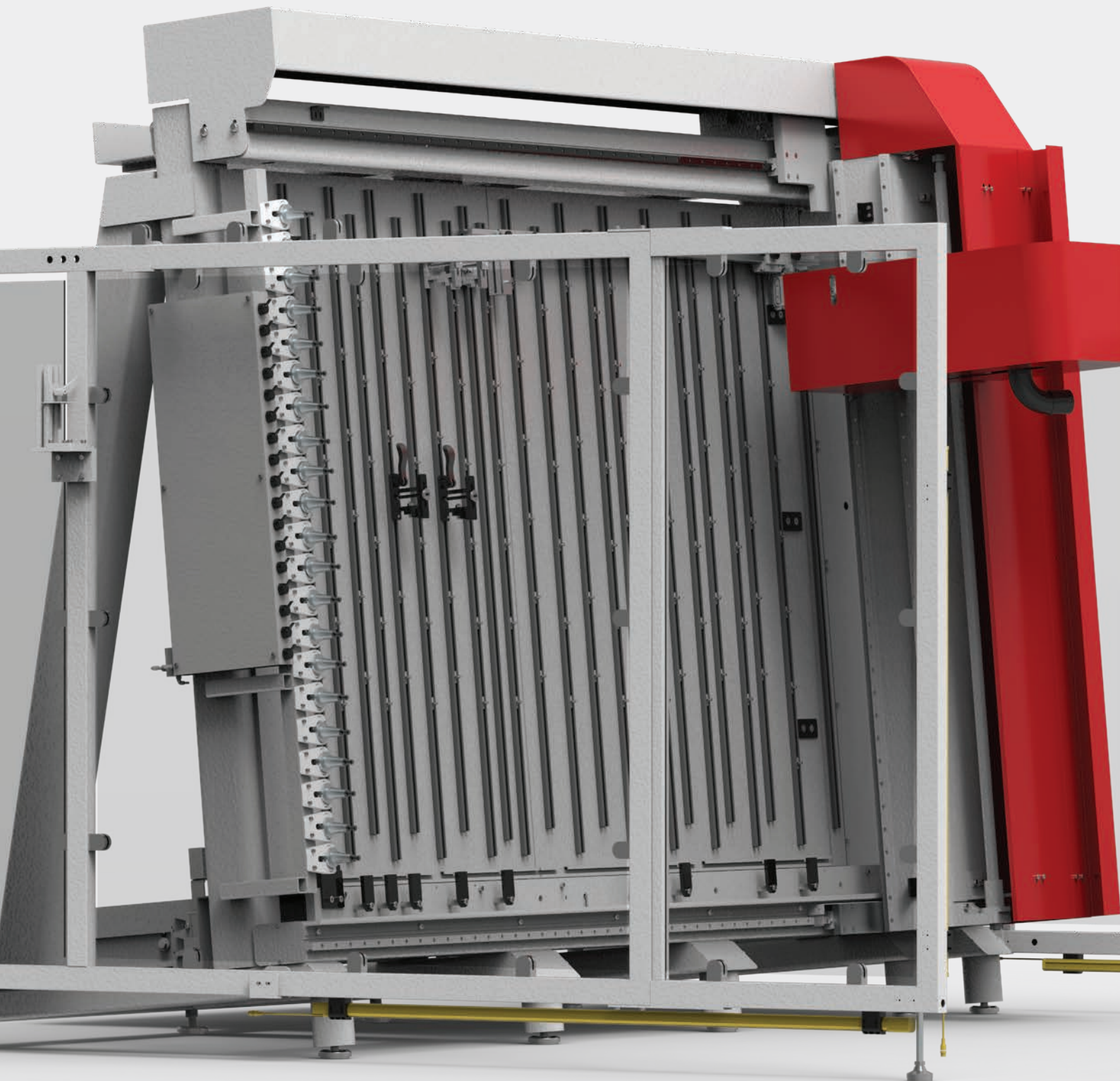
# 04

Panel Shop Automation

Listing the comprehensive range of nVent HOFFMAN consumable (also called “replacement”) and spare parts, the catalog is designed to help you easily identify the items you need.

### Enclosure modification centers

<b>Overview</b>	<b>111</b>
ModCenter	112
Consumables	116
Spare parts	121
Wire processing machines	129
Consumables	130
Spare Parts	133
PWA2000	133
PWA5000	135
PWA6000	137



# Panel Shop Automation | ModCenter

# 04

Panel Shop Automation

## The Automated Edge For Control Panel Builders

Get the most versatile automated modification solution on the market today with state-of-the-art design and controls.

### Why automate mods?

Eliminate time-consuming & costly manual mod methods



Slash production costs and lead times:

- Complete better on bids and offer faster turn times
- Perform mods in-house, on your schedule

### INCREASE PRODUCTIVITY



#### Automate a traditionally labor-intensive process

- Marking and taping is time not getting more projects done
- Reduce costs from time saved
- Improve safety of workforce

### IMPROVE QUALITY



#### Precise holes and cutouts that even a skilled hand can't match

- Produce professional, repeatable holes and cutouts
- No more slightly misaligned pushbuttons
- No deburring needed

### INCREASE FLEXIBILITY



#### Tool magazine holds up to 21 automated tools

- Perform all necessary drilling, milling, tapping, circular milling and engraving
- Process materials including mild steel, stainless steel, non-metallic, aluminum, copper and more

# Why choose the MODCENTER?

## EASY TO USE

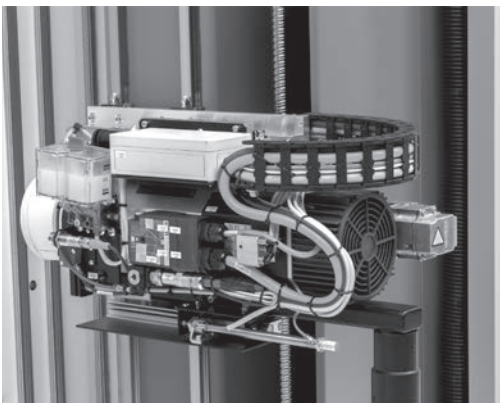


DXF or DWG-based software allows for easy drawing import or drag-and-drop drawing creation.



State-of-the-art controls from Beckhoff® or Siemens®.

## BEST-IN-CLASS CUTTING SPEEDS



High frequency spindle drive enables precise and fast material processing.



Minimal lubrication system extends tool life without creating a mess.

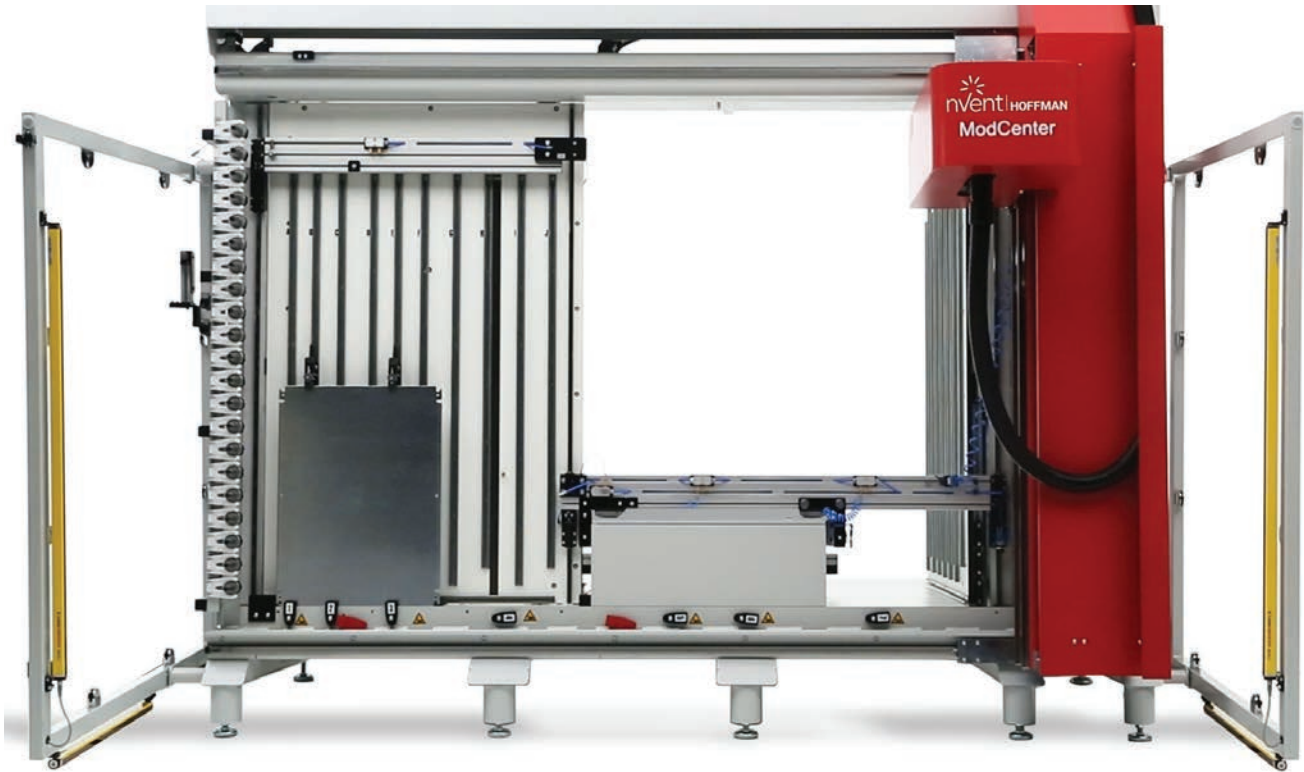




**80%** labor reductions  
vs. traditional machining

**04**

Panel Shop Automation



CUT-OUTS

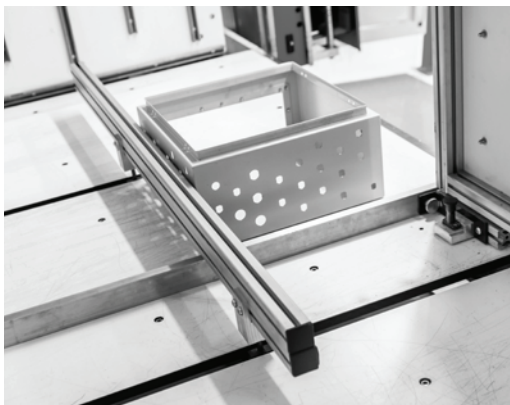


HOLES



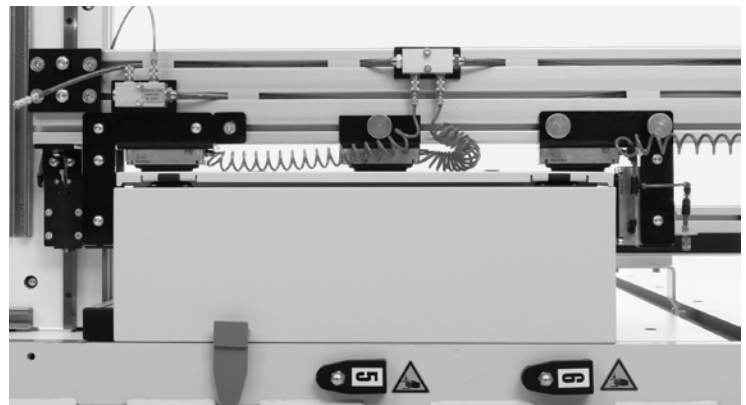
THREADING

## REPEATED PRECISION



Ball screw spindles deliver precise holes and cutouts, as well as for low vibration, high tool life and a long service life.

## LARGEST SIZE HANDLING CAPABILITY



One and two-door models accommodate broadest range of enclosure dimensions.

Four ModCenter sizes to choose from with interior clearance for enclosure handling up to 93 in x 86 in. Actual savings are dependent on a variety of factors. Shown above is a good faith estimate, based upon 12 standard enclosures per month.



4 5 6 7 8 9 10 11 12 13 14 15 16 17 18 19 20 21 22 23 24 25 26 27 28 29 30 31 32 33 34 35 36 37 38 39 40 41 42 43 44 45 46 47 48 49 50 51 52 53 54 55 56 57 58 59 60 61 62 63 64 65 66 67 68 69 70 71 72

2

3



# Enclosure modification centers

## ModCenter

# 04

Panel Shop Automation

The ModCenter increases your productivity by automating and optimizing cut-outs, drill-holes and threaded holes in enclosures. The fixation system of the ModCenter allows for placement of one or multiple enclosures, panels and mounting plates in multiple kinds of materials.

Compatible with Siemens (MODCxxxS) and Beckhoff (MODCxxxB) control systems, the ModCenter is available in four versions, depending on the size of the machinable surfaces.

Nr. of doors	Machinable enclosures, all sides		Machinable panels and mounting plates		Machine footprint		Item No.
	H (mm)	W (mm)	H (mm)	W (mm)	W (mm)	D (mm)	
1	Up to 1600	Up to 1250	Up to 1650	Up to 2400	3524	4500	MODC163B
1	Up to 1600	Up to 1250	Up to 1650	Up to 2400	3524	4500	MODC163S
2	Up to 1600	Up to 2200	Up to 1600	Up to 2400	3524	4500	MODC263B
2	Up to 1600	Up to 2200	Up to 1600	Up to 2400	3524	4500	MODC263S
2	Up to 2060	Up to 2200	Up to 2020	Up to 2400	4128	4500	MODC280B
2	Up to 2060	Up to 2200	Up to 2020	Up to 2400	4128	4500	MODC280S
2	Up to 2380	Up to 2200	Up to 2340	Up to 2400	4128	4500	MODC293B
2	Up to 2380	Up to 2200	Up to 2340	Up to 2400	4128	4500	MODC293S

# Enclosure modification centers

## Consumables

### Thread Forming Taps

**Description:** Thread Forming Tap, DIN 371 RN.

**Pack quantity:** 3 pcs.



Description	Part No.
M3 Thread Forming Tap	NT-WZ-000019
M4 Thread Forming Tap	NT-WZ-000020
M5 Thread Forming Tap	NT-WZ-000021
M6 Thread Forming Tap	NT-WZ-000022
M8 Thread Forming Tap	NT-WZ-000023
M10 Thread Forming Tap	NT-WZ-000017
M12 Thread Forming Tap	NT-WZ-000018

## Milling cutters

**Description:** Milling cutter designed for each work material differentiate machining quality and accuracy.



Description	Pack Quantity	Part No.
Milling cutter 6 mm, aluminum/copper/plastic	2	NT-WZ-000041
Milling cutter 6 mm, stainless steel	3	NT-01-152933
Milling cutter 4 mm, steel	3	NT-WZ-000028
Milling cutter 6 mm, steel	3	NT-WZ-000043
Milling cutter 8 mm, steel	3	NT-WZ-001113
Milling cutter 6 mm, stainless steel, high speed	3	NT-WZ-151564

# Enclosure modification centers

## Consumables

### Drill bits

**Description:** Twist drill bit DIN 1897, 112320 TiN



Description	Pack Quantity	Part No.
Twist drill 2.3 mm	5	NT-WZ-001127
Twist drill 2.8 mm	5	NT-WZ-000060
Twist drill 3.2 mm	5	NT-WZ-001129
Twist drill 3.5 mm	5	NT-WZ-001121
Twist drill 3.7 mm	5	NT-WZ-000062
Twist drill 3.9 mm	5	NT-WZ-001125
Twist drill 4.1 mm	5	NT-WZ-001122
Twist drill 4.2 mm	5	NT-WZ-000064
Twist drill 4.5 mm	5	NT-WZ-000065
Twist drill 4.6 mm	5	NT-WZ-001133
Twist drill 5.2 mm	5	NT-WZ-001123
Twist drill 5.5 mm	5	NT-WZ-000067
Twist drill 6.1 mm	5	NT-WZ-001137
Twist drill 7.4 mm	3	NT-WZ-000069
Twist drill 8.2 mm	3	NT-WZ-152384
Twist drill 9.3 mm	3	NT-WZ-000075
Twist drill 10.5 mm	3	NT-WZ-001154
Twist drill 11.2 mm	3	NT-WZ-000158
Twist drill 12.5 mm	3	NT-WZ-001084
Twist drill 1.0 mm	5	NT-WZ-153132
Twist drill 1.7 mm	5	NT-WZ-152359
Twist drill 1.8 mm	5	NT-WZ-150833
Twist drill 1.9 mm	5	NT-WZ-152862
Twist drill 2.0 mm	5	NT-WZ-000071
Twist drill 2.1 mm	5	NT-01-151399
Twist drill 2.2 mm	5	NT-WZ-002513
Twist drill 2.4 mm	5	NT-01-150263
Twist drill 2.5 mm	5	NT-WZ-000072
Twist drill 2.6 mm	5	NT-WZ-001108
Twist drill 2.7 mm	5	NT-WZ-001128
Twist drill 2.9 mm	5	NT-01-151332
Twist drill 3.0 mm	5	NT-WZ-000073
Twist drill 3.1 mm	5	NT-WZ-002529
Twist drill 3.3 mm	5	NT-WZ-001130
Twist drill 3.4 mm	5	NT-WZ-001131
Twist drill 3.6 mm	5	NT-WZ-001132
Twist drill 3.8 mm	5	NT-WZ-000081
Twist drill 4.0 mm	5	NT-WZ-000063
Twist drill 4.3 mm	5	NT-WZ-001109
Twist drill 4.4 mm	5	NT-01-150273
Twist drill 4.7 mm	5	NT-WZ-002522
Twist drill 4.8 mm	5	NT-WZ-001097
Twist drill 4.9 mm	5	NT-WZ-001134
Twist drill 5.0 mm	5	NT-WZ-000066
Twist drill 5.1 mm	5	NT-WZ-001135
Twist drill 5.3 mm	5	NT-WZ-001110
Twist drill 5.4 mm	5	NT-WZ-001136
Twist drill 5.6 mm	5	NT-01-150274
Twist drill 5.7 mm	5	NT-WZ-002521

# Enclosure modification centers

## Consumables

# 04

Panel Shop Automation

### Drill bits

**Description:** Twist drill bit DIN 1897, 112320 TiN



Description	Pack Quantity	Part No.
Twist drill 5.8 mm	5	NT-WZ-001086
Twist drill 5.9 mm	5	NT-01-151400
Twist drill 6.0 mm	5	NT-WZ-000068
Twist drill 6.2 mm	5	NT-WZ-001124
Twist drill 6.3 mm	5	NT-WZ-001138
Twist drill 6.4 mm	5	NT-WZ-001139
Twist drill 6.5 mm	5	NT-WZ-000085
Twist drill 6.6 mm	5	NT-01-150275
Twist drill 6.7 mm	5	NT-WZ-001140
Twist drill 6.8 mm	5	NT-WZ-000161
Twist drill 6.9 mm	5	NT-01-153624
Twist drill 7.0 mm	5	NT-WZ-001098
Twist drill 7.1 mm	5	NT-WZ-000057
Twist drill 7.3 mm	5	NT-WZ-001142
Twist drill 7.5 mm	5	NT-WZ-001143
Twist drill 7.8 mm	5	NT-WZ-150836
Twist drill 7.9mm	5	NT-WZ-150276
Twist drill 8.0 mm	5	NT-WZ-000074
Twist drill 8.3 mm	5	NT-01-150917
Twist drill 8.4 mm	3	NT-WZ-002532
Twist drill 8.5 mm	5	NT-WZ-001144
Twist drill 8.8 mm	5	NT-WZ-001145
Twist drill 9.0 mm	5	NT-WZ-001096
Twist drill 9.1 mm	5	NT-WZ-001146
Twist drill 9.2 mm	3	NT-WZ-002520
Twist drill 9.4 mm	5	NT-WZ-001148
Twist drill 9.5 mm	5	NT-WZ-001149
Twist drill 9.6 mm	5	NT-WZ-002506
Twist drill 9.6 mm	5	NT-WZ-152977
Twist drill 9.7 mm	5	NT-WZ-150929
Twist drill 9.9 mm	5	NT-WZ-150852
Twist drill 10.0 mm	5	NT-WZ-000076
Twist drill 10.1 mm	3	NT-WZ-001151
Twist drill 10.2 mm	3	NT-WZ-001152
Twist drill 10.3 mm	3	NT-WZ-153678
Twist drill 10.4 mm	3	NT-WZ-001153
Twist drill 10.7 mm	3	NT-01-151331
Twist drill 10.8 mm	3	NT-WZ-151426
Twist drill 11.0 mm	3	NT-WZ-001155
Twist drill 11.1 mm	3	NT-WZ-001156
Twist drill 11.3 mm	3	NT-WZ-001157
Twist drill 11.4 mm	3	NT-WZ-002516
Twist drill 12.0 mm	3	NT-WZ-000084
Twist drill 12.1 mm	3	NT-WZ-000058
Twist drill 12.7 mm	3	NT-01-003154
Twist drill 13.0 mm	3	NT-WZ-000001
Twist drill 13.1 mm	3	NT-01-152975
Twist drill 14.0 mm	3	NT-WZ-001159
Twist drill 14.3 mm	3	NT-WZ-152061

# Enclosure modification centers

## Consumables

### Distance pins

Description	Pack Quantity	Part No.
Lower plastic distance pin 33 mm for machines with 70 mm bending height	5	NT-01-000643
Upper plastic distance pin 55 mm for machines with 70 mm bending height	24	NT-01-000644
Lower plastic distance pin 62 mm for machines with 100 mm bending height	5	NT-01-002094
Upper plastic distance pin 83 mm for machines with 100 mm bending height	24	NT-01-002052
Lower plastic distance pin, adjustable	4	BG-01-151565



### Lubricants | Cooling Lubricant

**Description:** Water-soluble cooling lubricant, Mobilcut 140 BF, 1l.

**Pack quantity:** 1 bottle.

Part No.
BG-01-152409



### Lubricants | Low-viscosity grease

**Description:** Microlube GB 00, low-viscosity gears, 1 kg.

**Pack quantity:** 1 piece.

Part No.
NT-01-000733





# Enclosure modification centers

## Spare parts

# 04

Panel Shop Automation

## Collets

**Description:** Collet ER32, DIN 6499.

**Pack quantity:** 1 piece.



Spare part	Description
NT-WZ-000082	Collet ER32, Ø 02-01 mm
NT-WZ-000039	Collet ER32, Ø 03-02 mm
NT-WZ-000033	Collet ER32, Ø 04-03 mm
NT-WZ-000032	Collet ER32, Ø 05-04 mm
NT-WZ-000029	Collet ER32, Ø 06-05 mm
NT-WZ-000034	Collet ER32, Ø 07-06 mm
NT-WZ-000035	Collet ER32, Ø 08-07 mm
NT-WZ-000030	Collet ER32, Ø 09-08 mm
NT-WZ-000031	Collet ER32, Ø 10-09 mm
NT-WZ-000059	Collet ER32, Ø 12-11 mm
NT-WZ-000036	Collet ER32, Ø 20-19 mm

## Tools

Spare part	Pack Quantity	Description
BG-01-150740	1	Clamping device for machines with 100 mm bending height
BG-01-000137	1	Clamping plate, for machines with 70 mm bending height
BG-01-152638	1	Upper work piece clamping device, for machines with 70 mm bending height
BG-01-000218	1	Upper work piece clamping device, for machines with 100 mm bending height
BG-01-000219	1	Lower work piece clamping device, pneumatic, machine's year of manufacture <Dec 2015
BG-01-013452	1	Lower work piece clamping device pneumatic, machine's year of manufacture >Jan 2016
BG-01-000142	1	Zero point
BG-01-013445	1	Zero point for multiple processing



# Enclosure modification centers

## Spare parts

### Tools

Spare part	Pack Quantity	Description
NT-01-002686	1	HSD Collet chuck for ER collets including internal pull-stud
NT-01-000606	1	Holder thread milling plate for circular milling
NT-01-000829	1	Circular saw blade for NPT thread
NT-01-000605	1	Circular saw blade for metric threads
NT-01-002124	1	Clamping nut for collet chuck
BG-01-000147	1	Tool expansion kit for HSD or 5.5 Umbra Motor, complete
NT-01-000403	1	Internal pull stud for 5,5 KW HSD/Umbra, ISO 30
NT-01-002078	1	Internal pull stud for 7.5 kW UMBRA engine
NT-01-000737	1	Hook wrench for tool change aid
NT-01-000840	1	Magnetic handbroom
NT-01-000358	1	Hand lever grease gun model
NT-01-000357	1	High-pressure grease press
BG-01-151335	2	Lifting eye adapters
BG-01-000053	1	Lower work piece clamping device, standard, for machines with 70 mm bending height



# Enclosure modification centers

## Spare parts

# 04

Panel Shop Automation

### Pneumatic components

Spare part	Pack Quantity	Description
NT-01-000031	1	Plastic tube PUN-4X0,75-BL, 50 m
NT-01-000177	1	Plastic tube 6x1-blue, 50 m
NT-01-150544	1	Spiral-plastic tube
NT-01-000430	5	Coupling socket (NW 2,7) 6 x 4 mm
NT-01-000719	5	Coupling socket (NW 2,7) G 1/8"
NT-01-000429	5	Coupling plug (NW 2,7) 6 x 4 mm
NT-01-000757	5	Coupling plug (NW 2,7) 4.3 x 3 mm
BG-01-152668	8	Anti-vibration protection cap, yellow
NT-01-000281	10	Push-in L-fit QSML-M5-4
NT-01-000692	10	L-connector QSML-6H-4
NT-01-000277	10	Push-in fitting QSM-M5-6
NT-01-000176	10	T-connector QSMT-6
NT-01-002502	10	Y-connector QSY-6-4
NT-01-000397	1	Filter control valve LFR-1/4-D-MINI
NT-01-000386	1	Butterfly valve GRLO-M5-QS-4-LF-C



# Enclosure modification centers

## Spare parts

### Pneumatic components

Spare part	Pack Quantity	Description
NT-01-000396	1	Pressure regulator LR-1/4-D-MINI
NT-01-001731	1	Pressure sensor SDE5-D10-O-Q6E-P-K
NT-01-000372	1	Standard cylinder Ø 16 mm, hub 80 mm
NT-01-000275	1	Front panel valve SV-3-M5
NT-01-151486	1	Sliding valve 5/2 ways, round
NT-01-000276	1	Tumbler switch H-22-SW
NT-01-151328	1	Tumbler switch (5/2- & 3/2-way valve)
EL-01-002580	1	Valve Terminal CPV-SC-MP-VI 80P-10-1MS-PF-N-SLG-KMKMKLL+CP
EL-01-002280	1	Magnetic valve CPVSC1-M1H-M-P-Q4
NT-01-000284	1	Clamping Modul EV20/75-5 with reset function
BG-01-013382	1	Vacuum device for machines with 100 mm bending height, complete
NT-01-002259	1	Suction cup for antivibration system
BT-01-012839	1	Vacuum device for machines with 100 mm bending height



# Enclosure modification centers

## Spare parts

# 04

Panel Shop Automation

### Machine parts

Spare part	Pack Quantity	Description
NT-01-001830	1	Eccentric clamp 16 mm for machines with 70 mm bending height
NT-01-002769	1	Eccentric clamp 20 mm for machines with 100 mm bending height
NT-01-000748	1	M10x32 Elessa clamp lever with screw
NT-01-000304	1	M8x20 Elessa clamp lever with screw
NT-01-000820	1	M8 Elessa clamp lever with inner thread
NT-01-000303	1	M8x16 Lever straight
NT-01-000332	1	M8 Lever with internal thread, straight
NT-01-000331	1	M8 knurled screw, flat, zinc-plated
NT-01-002620	1	M8x16 knurled screw high form, steel
NT-01-000192	1	Tool holder
NT-01-000329	50	M8 sliding nut for plastic distance pin
NT-01-000431	1	Fixation chip catcher
NT-01-000602	1	Reflective tape, 1m



# Enclosure modification centers

## Spare parts

### Machine parts

Spare part	Pack Quantity	Description
BG-01-150909	1	Swing clamp spare cylinder, right (w/o bracket and marking)
BG-01-150908	1	Swing clamp spare cylinder, left (w/o bracket and marking)
NT-01-000380	1	Suction hose, 10m
BG-01-000002	1	Z-spindle Lubricator 0,35l
BG-01-152346	1	Oil pump (preassembled)
BG-01-000161	1	Lubrication hose complete
NT-01-000316	1	Lubrication system circular jet UFZ.U00-022
BG-01-000276	1	Chip catcher, for ModCenter versions and 5.5 Umbra version
BG-01-000054	1	Chip catcher, 7.5 kw Umbra
BG-01-000055	1	Container for chip extraction
NT-01-000324	1	Gear belt 500-5M
NT-01-152347	1	Mylar protective tape 0,25 x 1500 mm



# Enclosure modification centers

## Spare parts

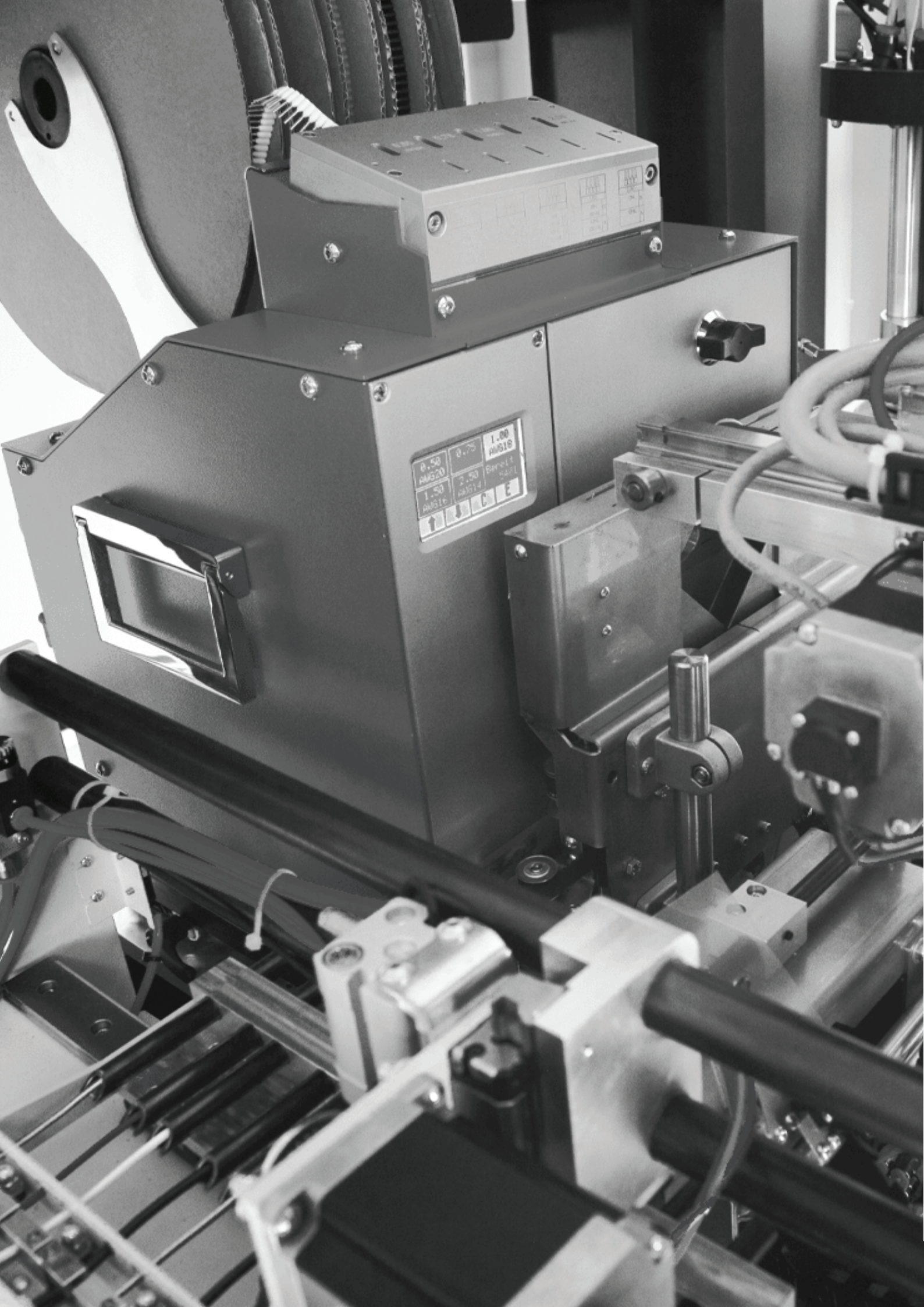
# 04

Panel Shop Automation

## Electrical components

Spare part	Pack Quantity	Description
EL-01-000092	5	Replacement Bulb for Beckhoff operator panel, black socket
EL-01-000130	5	Replacement Bulb for Beckhoff operator panel, glass socket
EL-01-000329	5	LED bulb for Beckhoff operator panel, 24 V, white
EL-01-000058	1	Infrared sensor for tool magazine
EL-01-000600	1	Lighted pressure key for Beckhoff operator panel
EL-01-002338	1	Wire control for Beckhoff operator panel





0.50	0.75	1.00
AUG20		AUG18
1.50	2.00	Barrett
AUG16	AUG14	CAST
↑ ↓ ← → C E		



# Wire Processing Machines

# 04

Panel Shop Automation

nVent HOFFMAN offers a comprehensive range of wire machines to meet the demand of modern wire processing. Designed for high production rates and short setup times, the semi and fully automated machines optimize wire production, reducing the processing time up to 75%.

The catalog provides a simple and easy way for customers to identify replacement and spare parts for maintenance.

The majority of available parts are listed below. For additional items or further support, please contact [PanelShopAutomation-support@nVent.com](mailto:PanelShopAutomation-support@nVent.com)



# Wire processing Machines

## Personal Wiring Assistant

### Consumables

## Wire End Ferrules On Reel

**Description:** Wire end ferrules on reel



Part No.	Pck. Qty.	For cross-sections [mm <sup>2</sup> ]	AWG	Length [mm]	Colour
EL-01-152179	5000	0.5	20	8	White
EL-01-152181	5000	0.75	18	8	Gray
EL-01-152183	5000	1.0	18	8	Red
EL-01-152185	5000	1.5	16	8	Black
EL-01-152188	3000	2.5	14	8	Blue
EL-01-152180	5000	0.5	20	10	White
EL-01-152182	5000	0.75	18	10	Gray
EL-01-152184	5000	1.0	18	10	Red
EL-01-152186	5000	1.5	16	10	Black
EL-01-152190	3000	2.5	14	10	Blue

## Printers

Part No.	Pack Quantity	Description
NT-01-153781	1	Mounting clip print head top for AlphaJet 5
NT-01-153780	1	Mounting clip print head bottom for AlphaJet 5
BG-01-153406	1	Service set filter Unit AlphaJet Invo/ Evo
BG-01-154122	1	Service set filter Unit AlphaJet 5 HS-M/ 5X/ SP
EL-01-150366	1	Color tape HSS HF EL 40/300
NT-01-003511	1	TwinMark, conductor and cable marker, 2.4 - 4.8 mm 13,000 x 7.6 mm, yellow
NT-01-003512	1	TwinMark, conductor and cable marker, 2.4 - 4.8 mm 13,000 x 7.6 mm, white
NT-01-153782	1	TwinMark, conductor and cable marker, 1.6 – 3.2 mm 13,000 x 7.6 mm, yellow
NT-01-153783	1	TwinMark, conductor and cable marker, 1.6 - 3.2 mm 13,000 x 7.6 mm, white



<sup>1</sup> Outside the EU please order ink and/or solvent directly from the König&Bauer or a trade partner  
<sup>2</sup> Order 4L solvent to match use of 1L ink



# Wire processing Machines

## Personal Wiring Assistant | PWA2000

### Spare parts

# 04

Panel Shop Automation

## PWA Machine

Part No.	Pack Quantity	Description
BG-01-154288	1	Knife set PWA2000
NT-01-151861	1	Star grip screw
BT-01-153851	2	Guide tube small Ø 10 mm without star grip <sup>3</sup> (set consisting of the left and right tube)
BG-01-153852	2	Guide tube Ø 14 mm without star grip <sup>3</sup> (set consisting of the left and right tube)



## Printers

Part No.	Pack Quantity	Description
EL-01-153445	1	THM Perforator



<sup>3</sup> Please order star grip screw additionally if needed



# Wire processing Machines

## Personal Wiring Assistant | PWA5000

### Spare parts

# 04

Panel Shop Automation

## PWA Machine

Part No.	Pack Quantity	Description
BG-01-154289	1	Knife set PWA 5000
NT-01-152946	1	Pressure spring
BG-01-150569	1	Drive roller infeed



## Printers

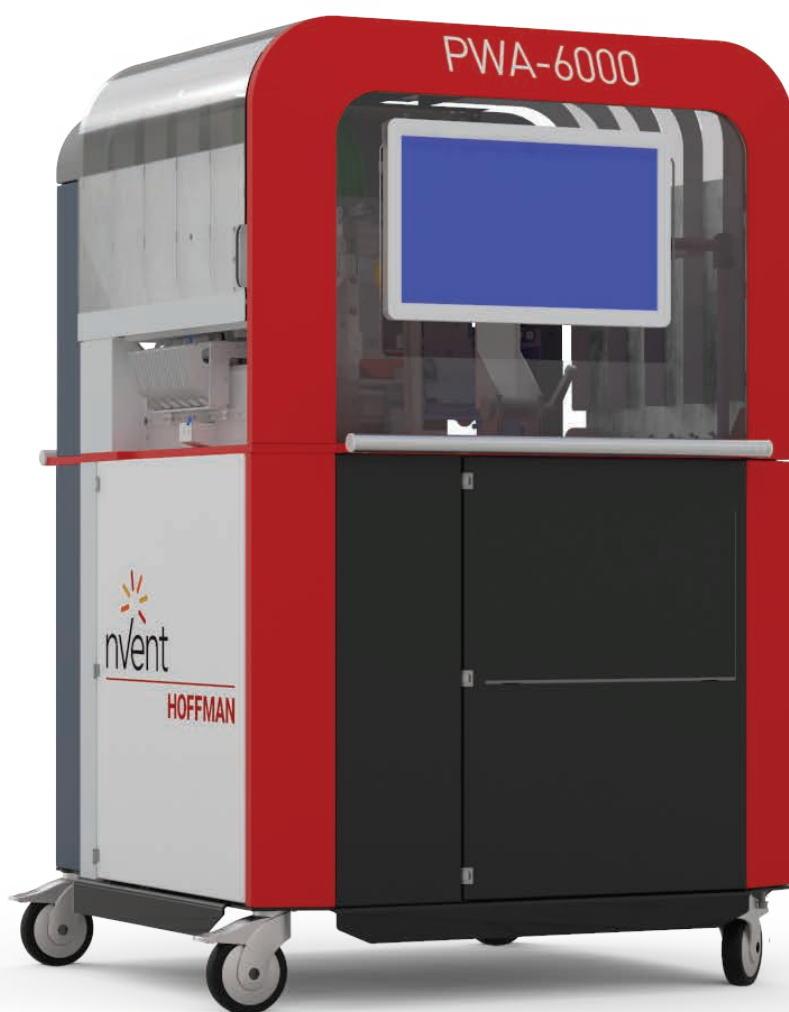
Part No.	Pack Quantity	Description
EL-01-153445	1	THM Perforator



## Stripping and Crimping Machine

Part No.	Pack Quantity	Description
BG-01-154285	1	Knife set UNIC-GVM
NT-01-153774	1	UNIC-GVM fixing pin
NT-01-154292	1	Angle wrench TX10
NT-01-154281	1	Allen wrench SW 2
NT-01-153704	1	Allen wrench SW 2.5
NT-01-153705	1	Allen wrench SW 3
NT-01-153706	1	Allen wrench SW 5
BT-01-154050	1	Shaft for ferrules magazine







# Wire processing Machines

## Personal Wiring Assistant | PWA6000

### Spare parts

# 04

Panel Shop Automation

### PWA Machine

Part No.	Pack Quantity	Description
BG-01-154287	1	Knife set PWA 6000
NT-01-003234	12	Adhesive tape for bundlers
BG-01-153612	1	Cable for drive roller Infeed
BT-01-154176	1	Splash guard for printer pin



### Stripping and Crimping Machine

Part No.	Pack Quantity	Description
BG-01-154285	1	Knife set UNIC-GVM
NT-01-153774	1	UNIC-GVM fixing pin
NT-01-154292	1	Angle wrench TX10



## Stripping and Crimping Machine

Part No.	Pack Quantity	Description
NT-01-154281	1	Allen wrench SW 2
NT-01-153704	1	Allen wrench SW 2.5
NT-01-153705	1	Allen wrench SW 3
NT-01-153706	1	Allen wrench SW 5
BT-01-154050	1	Shaft for ferrules magazine







### **North America**

Tel +1.800.545.6258

Fax +1.800.527.5703

Tel +1.650.216.1526

Fax +1.650.474.7711

info@nVent.com

### **Europe, Middle East, Africa**

Tel +32.16.213.511

Fax +32.16.213.603

info@nVent.com

### **Asia Pacific**

Tel +86.21.2412.1688

Fax +86.21.5426.3167

cn.info@nVent.com

### **Latin America**

Tel +1.713.868.4800

Fax +1.713.868.2333

info@nVent.com



Our powerful portfolio of brands:

**CADDY**

**ERICO**

**HOFFMAN**

**ILSCO**

**RAYCHEM**

**SCHROFF**