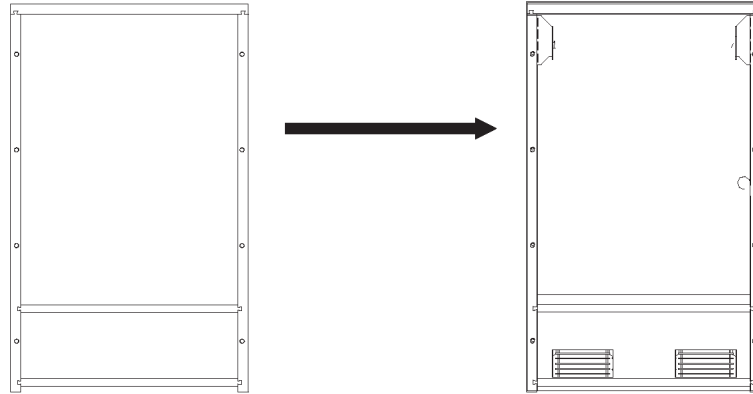


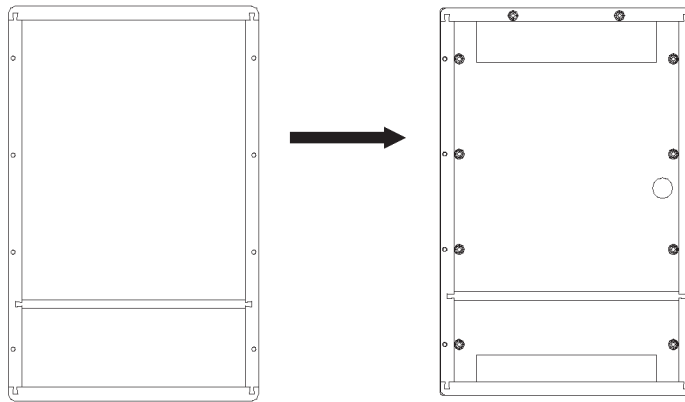


## M28 SIDE MOUNTING ADAPTER PLATE - BOLT MOUNT INSTALLATION INSTRUCTIONS

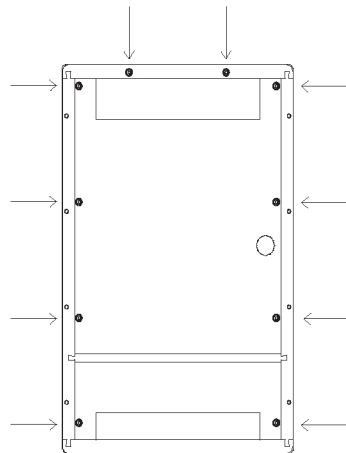
1) Apply gasket kit(28-1000-50) to rear of unit. Be sure the holes in the gasket align with the holes in unit. This gasket will be “sandwiched” between the unit and adapter plate.



2) Apply gasket kit(28-1056-06) to adapter plate(28-2308-00). This gasket will be “sandwiched” between the adapter plate and the enclosure.



3) Apply adapter plate to unit using 8 bolts and 2 screws.



4) Mount unit with adapter plate to enclosure.