

Angled Trough

nVent

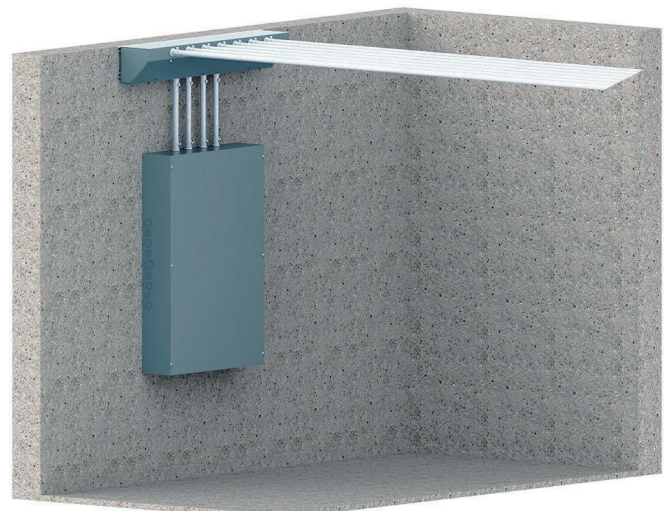
HOFFMAN

A NEW ANGLE ON PULLING WIRES

The new nVent HOFFMAN Angled Trough cuts total installation time by 80%. It eliminates the need for costly 90-degree conduit bends and offers flexibility for wire distribution, making it a time and cost saving solution for contractors.

The Angled Trough is the enclosure that alleviates the labor, time, cost, and manpower it takes to make 90 degree conduit bends down to a large MCC center, and allows us to meet our job deadlines much easier.

Greg Bills, Sr. Applications Engineer Walker Industrial



APPLICATIONS:

Wire distribution, junctions and terminations in a variety of indoor commercial applications. The Angled Trough is suitable for applications above, below or to the side of electrical panels in electrical rooms, above modular ceilings, and as a more flexible alternative to the traditional trough.

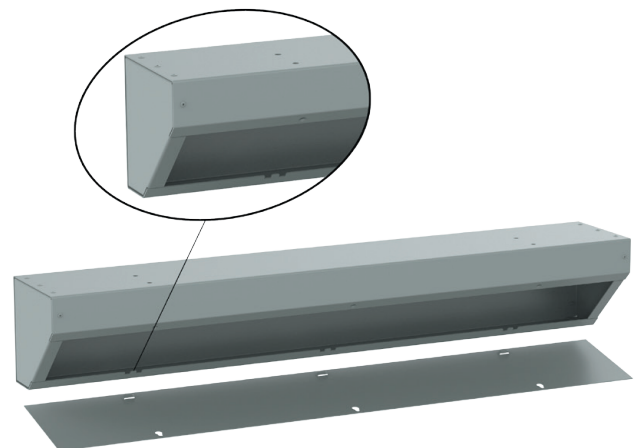
MEASURABLE SAVINGS:

- No need to buy expensive 90-degree conduits, pre-fab or bend conduits at job site
- Faster cover install with only half the number of screws



FEATURES:

- Flexible install allows conduit runs through six sides of enclosure, including the front
- Patented* angled design does not take up valuable real estate on the wall
- Easy mounting via holes on the back of the enclosure
- Unique design is easy to assemble and offers a removable cover
- Shipped completely assembled with no end caps to install



BULLETIN F40AT

Catalog Number	Model Code	AxBxC in	AxBxCmm	Max. Conduit Size in	Max. Conduit Size mm	No. of Cover Screws
AT6612	35585	6 x 6 x 12	152 x 152 x 305	1.25	32	1
AT6618	35586	6 x 6 x 18	152 x 152 x 455	1.25	32	2
AT6624	35587	6 x 6 x 24	152 x 152 x 610	1.25	32	2
AT6636	35588	6 x 6 x 36	152 x 152 x 914	1.25	32	3
AT6648	35592	6 x 6 x 48	152 x 152 x 1219	1.25	32	4
AT6660	35593	6 x 6 x 60	152 x 152 x 1524	1.25	32	5
AT6672	35594	6 x 6 x 72	152 x 152 x 1829	1.25	32	6
AT8824	35595	8 x 8 x 24	203 x 203 x 610	2	51	2
AT8836	35596	8 x 8 x 36	203 x 203 x 914	2	51	3
AT8848	35597	8 x 8 x 48	203 x 203 x 1219	2	51	4
AT8860	35598	8 x 8 x 60	203 x 203 x 1524	2	51	5
AT8872	35602	8 x 8 x 72	203 x 203 x 1829	2	51	6
AT101024	35604	10 x 10 x 24	254 x 254 x 610	3	76	2
AT101036	35605	10 x 10 x 36	254 x 254 x 914	3	76	3
AT101048	35606	10 x 10 x 48	254 x 254 x 1219	3	76	4
AT121224	35607	12 x 12 x 24	305 x 305 x 610	3	76	2
AT121236	35608	12 x 12 x 36	305 x 305 x 914	3	76	3
AT121248	35612	12 x 12 x 48	305 x 305 x 1219	3	76	4
AT121260	35613	12 x 12 x 60	305 x 305 x 1524	3	76	5
AT121272	35614	12 x 12 x 72	305 x 305 x 1829	3	76	6

nVent.com/HOFFMAN

NORTH AMERICA

Minneapolis, MN
Tel: +1.763.421.2240
Mexico, D.F.
Tel: +52.55.5280.1449
Toronto, Canada
Tel: +1.416.289.2770

SOUTH AMERICA

Sao Paulo, Brazil
Tel: +55.11.5184.2100
Boitura, Brazil
Tel: +55.15.3363.9148

EUROPE

Betschdorf, France
Tel: +33.3.88.90.64.90
Straubenhardt, Germany
Tel: +49.7082.794.0
Dzierzoniow, Poland
Tel: +48.74.64.63.900
Lainate, Italy
Tel: +39.02.932.7141

MIDDLE EAST & INDIA

Dubai, United Arab Emirates
Tel: +971.4.378.1700
Bangalore, India
Tel: +91.80.6715.2001

ASIA

Shanghai, P.R. China
Tel: +86.21.2412.6943
Singapore
Tel: +65.6768.5800
Shin-Yokohama, Japan
Tel: +81.45.476.0271
Seoul, Korea
Tel: +82.2.2129.7755
Qingdao
Tel: +86.532.8771.6101



Our powerful portfolio of brands:

nVent.com

CADDY ERICO HOFFMAN RAYCHEM SCHROFF TRACER