



CONNECT AND PROTECT

HOFFMAN on Demand Specifier's Guide

Quick Ship Program

**FULL PRODUCT RANGE.
LOCALLY AVAILABLE NOW!**

hoffman.nvent.com/hod


nvent

HOFFMAN

The HOFFMAN on Demand Specifier's Guide, Volume 2, is published by Hoffman Enclosures Inc., 2100 Hoffman Way, Anoka, MN 55303. Extracts from this literature may be copied or reproduced only with prior approval from Hoffman's Marketing Communications Department by emailing info@nvent.com and if the originator is credited. Hoffman's policy is to continually develop and improve products. The company reserves the right to change product detail and technical specifications. We cannot accept any liability for publication errors and omissions.

Subject to change without notice. Phone 763-422-2211 nVent.com/hoffman © 2019-2022 Hoffman Enclosures Inc.



One nVent

Explore nVent — backed by more than 100 years of excellence — at nVent.com

80+
Manufacturing,
service, sales and
distribution centers



Global customers

9,000

Global
workforce



Local capabilities and
localized solutions

400+

Patents



Positioned to serve
fast-growing economies

Welcome to the future of
connection and protection



CADDY ERICO HOFFMAN RAYCHEM SCHROFF TRACER

nVent.com

HOFFMAN on Demand



Quick Ship Program

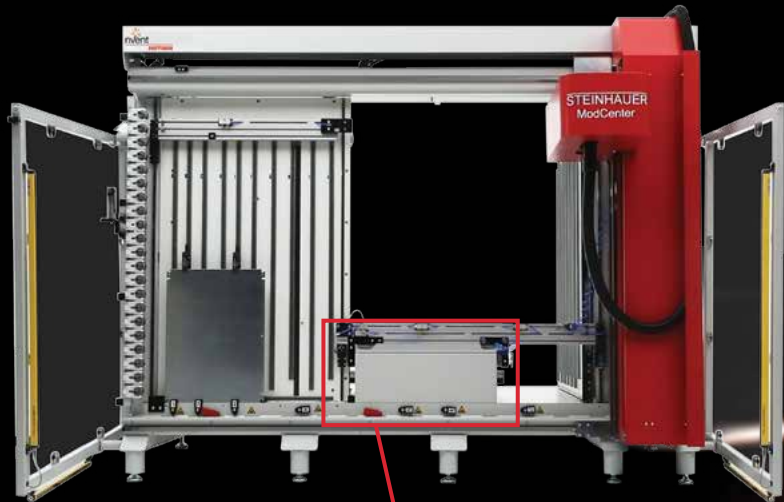
**FULL PRODUCT RANGE.
LOCALLY AVAILABLE NOW!**

Get the solution you need when your business demands it - A full range of nVent HOFFMAN core products easily modified and locally available from a nationwide network of authorized HOFFMAN on Demand distributors.



For the most recent items list and authorized HOFFMAN on Demand distributors, please visit:

hoffman.nvent.com/hod



Get modified enclosures in **1-3 Days***



STOP WASTING TIME MAKING HOLES AND CUTOUTS MANUALLY!

**Actual delivery times may vary based on location.*





TAKE ADVANTAGE OF RAPID, LOCALLY MODIFIED ENCLOSURES

In addition to faster local availability of HOFFMAN on Demand standard products, enjoy pre-modified enclosures and back panels in as little as one day. Eliminate manual holes and cutouts so you can focus on integrating and delivering control solutions to your customers.

Please visit hoffman.nvent.com for the entire HOFFMAN breadth of 15,000 products.

Product Selection Quick Reference



						
	Most Common Type Ratings	Pushbutton Enclosures	Junction Box (up to 16 x 14)	Wall Mount Enclosures (16 x 16 to 60 x 36)	Free Stand and Floor Mount Enclosures (60 x 48 and Larger)	
1						
	3R					
	12	Pushbutton Enclosures, Type 12, page 18	Continuous Hinge with Clamps, Type 12, page 15 Screw Cover, Type 12, page 16	Concept Two-Door, Type 12, page 11 Continuous Hinge with Clamps LP, Type 12, page 11 Continuous Hinge Two-Door with Handle, Type 12, page 12 Wall-Mount Disconnect Enclosure With Handle, Type 12, page 13 Mild Steel Sequestr External Disconnect Enclosure, Type 12, page 14	Free-Stand, Type 12, Single or Dual Access, page 30 Heavy-Duty Free-Stand Disconnect Enclosure, Type 12, page 31 Modular Disconnect Enclosure, Type 12, page 32 Two-Door with Floor Stands and 3-Point Latch, Type 12, page 34 Two-Door with Floor Stands Disconnect Enclosure, Type 12, page 33	
4	Extra-Deep Pushbutton Enclosures, Type 4, page 18	Continuous Hinge with Clamps, Type 4, page 15 Continuous Hinge with Quarter-Turn Latch, Type 4, page 16 Screw Cover, Contoured, Type 4, page 17	Concept Single-Door, Type 4 and 12, page 10 Continuous Hinge with Clamps LP, Type 4, page 12 Continuous Hinge with 3-Point Latch, Type 4, page 12 Concept Disconnect Enclosure, Type 4, page 13	Free-Stand, Type 4 with 3-Point Latch, page 32 Free-Stand Disconnect with Quick-Release Continuous Hinge, Type 4, page 30 Two-Door with Floor Stands and 3-Point Latch, Type 4, page 34		
	4X	Concept Single-Door, Type 4 and 12, page 10	Continuous-Hinge with Clamps, Type 4X, page 22 Continuous Hinge, Type 4X, page 24 PolyPro, Type 4X, page 26 Qline D, Type 4X, page 26	Concept, Type 4X, page 19 Continuous Hinge with Clamps LP, Type 4X, page 20 Continuous Hinge with 3-Point Latch, Type 4X, page 21 HOFFMAN Watershed, Type 4X, page 21 Hinge-Cover with Quick-Release Latches, Type 4X, page 24	Free-Stand, Type 4X, Single and Dual Access, page 37 Two-Door with 3-Point Latches, Type 4X, page 36	

Product Selection Quick Reference

			
Modular Enclosure Solutions	HMI (Human-Machine Interface)	Commercial Enclosures and Cable Management	Climate Control
		Hinged-Cover with Knockouts, Type 1, page 78 Screw-Cover, Type 1, page 79 Medium Hinged-Cover, Type 1, page 78 Lay-In Wireway, NEMA Type 1, page 88	
		Screw-Cover Drip-Shield, Type 3R, page 81 Wiring Trough, Screw-Cover NEMA Type 3R, page 95	
Industrial Packages, Type 12, page 40	Mild Steel Consolelets, page 54 Syspend 180-Max Suspension System, Type 12, page 55 Syspend 281-Max Suspension System, Type 12, page 64	Lay-In Wireway, NEMA Type 12, page 84	SpectraCool Compact Indoor, page 109
	Concept HMI, Type 4, page 52		SpectraCool Indoor, page 108 SpectraCool Narrow Indoor, page 109 T-Series Compact Outdoor, page 110



Total Enclosure Solutions

HOFFMAN PROVIDES EQUIPMENT PROTECTION SOLUTIONS

With more than 75 years of experience, extensive technical expertise, and a vast distribution network, Hoffman is recognized as an industry leader providing a broad range of standard, modified and custom enclosure solutions, serving customers worldwide.



Hoffman's vertical market strategy aligns subject matter experts in various industries with product managers, engineering and manufacturing resources. This alignment supports development of equipment protection products that meet particular industry needs.

WHY HOFFMAN?

- Built to global standards
- Global availability
- Commitment to quality
- Largest selection of standard products
- Modifications to meet your needs
- Custom fabrication
- Unparalleled service and expertise
- Comprehensive testing
- Application-specific solutions

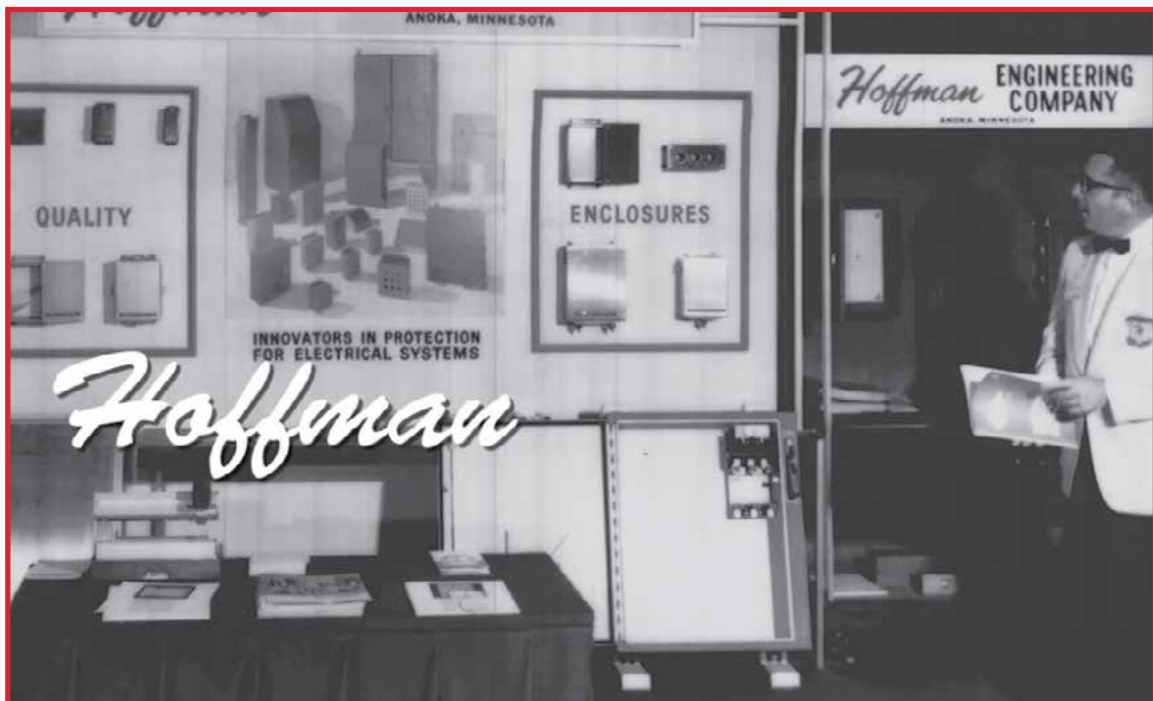


TABLE OF CONTENTS

WALL-MOUNT ENCLOSURES	8
FREE-STAND AND FLOOR-MOUNT ENCLOSURES	28
MODULAR ENCLOSURE SOLUTIONS	38
HMI (HUMAN -MACHINE INTERFACE)	50
COMMERCIAL ENCLOSURES	76
CABLE MANAGEMENT	82
ACCESSORIES	96
CLIMATE CONTROL	106
INDEX	114





4



CHAPTER 1 WALL-MOUNT ENCLOSURES



Concept Enclosures

Concept Enclosures are ideal for machine control applications. With streamlined styling, flush quarter-turn latches and an attractive, durable finish.



Continuous Hinge with Clamps, Type 4X

These enclosures combine a rugged continuous hinge, seamless foam-in-place gasket and stainless steel screw-down clamps for a reliable seal that protects components from corrosive environments.



CHAPTER CONTENT

MILD STEEL 10



Wall-Mount Enclosures

- Concept Single-Door, Type 4 and 12 10
- Concept Two-Door, Type 12 11
- Continuous Hinge with Clamps LP, Type 12 11
- Continuous Hinge Two-Door with Handle, Type 12 12
- Continuous Hinge with Clamps LP, Type 4 12
- Continuous Hinge with 3-Point Latch, Type 4 12

Disconnect Enclosures

- Concept Disconnect Enclosure, Type 4 13
- Wall-Mount Disconnect Enclosure With Handle, Type 12 13
- Mild Steel Sequestr External Disconnect Enclosure, Type 12 14

Junction Boxes

- Continuous Hinge with Clamps, Type 12 15
- Continuous Hinge with Clamps, Type 4 15
- Continuous Hinge with Quarter-Turn Latch, Type 4 16
- Screw Cover, Type 12 16
- Screw Cover, Contoured, Type 4 17

Pushbutton Enclosures

- Pushbutton Enclosures, Type 12 18
- Extra-Deep Pushbutton Enclosures, Type 4 18

STAINLESS STEEL 19

Wall-Mount Enclosures

- Concept, Type 4X 19
- Continuous Hinge with Clamps LP, Type 4X 20
- Continuous Hinge with 3-Point Latch, Type 4X 21
- HOFFMAN Watershed, Type 4X 21

Junction Boxes

- Continuous-Hinge with Clamps, Type 4X 22

Pushbutton Enclosures

- 30.5-mm and 22.5-mm Pushbutton Enclosures, Type 4X 23

NON-METALLIC 24

Fiberglass

- Continuous Hinge, Type 4X 24
- Hinge-Cover with Quick-Release Latches, Type 4X 24

Polyester

- PolyPro, Type 4X 26
- Qline D, Type 4X 26
- Qline D Pushbutton, Type 4X 27



HOFFMAN on Demand

Please visit hoffman.nvent.com for the entire HOFFMAN breadth of 15,000 products.

CONCEPT SINGLE-DOOR, TYPE 4 AND 12



1

INDUSTRY STANDARDS

Wall-mounting brackets required to maintain UL/CSA external mounting requirement.

UL 508A Listed; Type 4, 12; File No. E61997
 cUL Listed per CSA C22.2 No. 94; Type 4, 12; File No. E61997

NEMA/EEMAC Type 4, 12, 13
 CSA, File No. 42186: Type 4, 12
 VDE IP66
 IEC 60529, IP66

APPLICATION

Concept Enclosures are ideal for machine control applications. With streamlined styling, flush quarter-turn latches and an attractive, durable finish.

BULLETIN: CW1

Catalog Number	Height (in.)	Width (in.)	Depth (in.)	Panel
CSD12126	12	12	6	CP1212
CSD16126	16	12	6	CP1612
CSD16166	16	16	6	CP1616
CSD20206	20	20	6	CP2020
CSD16128	16	12	8	CP1612
CSD16168	16	16	8	CP1616
CSD20168	20	16	8	CP2016
CSD20208	20	20	8	CP2020
CSD24168	24	16	8	CP2416
CSD24208	24	20	8	CP2420
CSD24248	24	24	8	CP2424
CSD30208	30	20	8	CP3020
CSD30248	30	24	8	CP3024
CSD30308	30	30	8	CP3030
CSD36248	36	24	8	CP3624
CSD36308	36	30	8	CP3630
CSD36368	36	30	8	CP3636
CSD423610	42	36	10	CP4236
CSD483610	48	36	10	CP4836
CSD202012	20	20	12	CP2020
CSD242012	24	20	12	CP2420
CSD242412	24	24	12	CP2424
CSD302412	30	24	12	CP3024
CSD303012	30	30	12	CP3030
CSD362412	36	24	12	CP3624
CSD363012	36	30	12	CP3630
CSD363612	36	36	12	CP3636
CSD423012	42	30	12	CP4230
CSD423612	42	36	12	CP4236
CSD483612	48	36	12	CP4836
CSD603612	60	36	12	CP6036
CSD363016	36	30	16	CP3630
CSD483016	48	30	16	CP3048
CSD483616	48	36	16	CP4836
CSD603616	60	36	16	CP6036

CONCEPT TWO-DOOR, TYPE 12



APPLICATION

Concept Enclosures are ideal for machine control applications. With streamlined styling, flush quarter-turn latches and an attractive, durable finish. Two-door landscape models provide full-width access and easy panel installation.



BULLETIN: CW1

Catalog Number	Height (in.)	Width (in.)	Depth (in.)	Panel
CTD24428	24	42	28	CP2442
CTD306012	30	60	12	CP3060
CTD364812	36	48	12	CP4836
CTD366012	36	60	12	CP6036

INDUSTRY STANDARDS

Wall-mounting brackets required to maintain UL/CSA external mounting requirement.

UL 508A Listed; Type 12; File No. E61997
 cUL Listed per CSA C22.2 No. 94; Type 12; File No. E61997

NEMA/EEMAC Type 12
 CSA, File No. 42186, Type 12
 VDE IP 55
 IEC 60529, IP55



CONTINUOUS HINGE WITH CLAMPS LP, TYPE 12



Catalog Number	Height (in.)	Width (in.)	Depth (in.)	Panel
A161606LP	16	16	6	A16P16
A202006LP	20	20	6	A20P20
A201608LP	20	16	8	A20P16
A202008LP	20	20	8	A20P20
A242008LP	24	20	8	A24P20
A242408LP	24	24	8	A24P24
A302408LP	30	24	8	A30P24
A303008LP	30	30	8	A30P30
A363008LP	36	30	8	A36P30
A363608LP	36	36	8	A36P36
A423610LP	42	36	10	A42P36
A242412LP	24	24	12	A24P24
A302412LP	30	24	12	A30P24
A303012LP	30	30	12	A30P30
A363012LP	36	30	12	A36P30
A363612LP	36	36	12	A36P36
A423612LP	42	36	12	A42P36
A483612LP	48	36	12	A48P36
A603612LP	60	36	12	A60P36
A483616LP	48	36	16	A48P36
A603616LP	60	36	16	A60P36

INDUSTRY STANDARDS

UL 508A Listed; Type 12, 13; File No. E61997
 cUL Listed per CSA C22.2 No. 94; Type 12, 13; File No. E61997

NEMA/EEMAC Type 12 and 13
 CSA, File No. 42186: Type 12
 IEC 60529, IP65

APPLICATION

For applications requiring a bright white interior to increase control visibility, this enclosure includes a padlocking hasp and staple for security and screw-down clamps for secure closure.

BULLETIN: A12

CONTINUOUS HINGE TWO-DOOR WITH HANDLE, TYPE 12



1

INDUSTRY STANDARDS

UL 508A Listed; Type 12; File No. E61997
 cUL Listed per CSA C22.2 No. 94; Type 12; File No. E61997

NEMA/EEMAC Type 12
 CSA, File No. 42186: Type 12
 IEC 60529, IP55

APPLICATION

Ideal for larger wall-mount applications requiring ease of installation and access to full-width internal panel. Overlapping door design allows easy access in areas with minimal aisle space.

BULLETIN: A12

Catalog Number	Height (in.)	Width (in.)	Depth (in.)	Panel
A244208WFLP	24	42	8	A42P24
A304210WFLP	30	42	10	A42P30
A364212WFLP	36	42	12	A42P36
A426012WFALP	42	60	12	A60BFP42
A484812WFLP	48	48	12	A48P48

CONTINUOUS HINGE WITH CLAMPS LP, TYPE 4



INDUSTRY STANDARDS

UL 508A Listed; Type 4, 12, 13; File No. E61997
 cUL Listed per CSA C22.2 No. 94; Type 4, 12, 13; File No. E61997

NEMA/EEMAC Type 3, 4, 12, and 13
 CSA, File No. 42186: Type 4 and 12
 IEC 60529, IP66

APPLICATION

These single-door enclosures feature a hinged door with clamps on three sides to create a secure seal in indoor or outdoor environments. The gray polyester powder finish inside and out provides enhanced corrosion protection in outdoor applications.

BULLETIN: A4

Catalog Number	Height (in.)	Width (in.)	Depth (in.)	Panel
A16H16ALP	16	16	6	A16P16
A20H16BLP	20	16	8	A20P16
A20H20BLP	20	20	8	A20P20
A24H20BLP	24	20	8	A24P20
A24H24BLP	24	24	8	A24P24
A30H24BLP	30	24	8	A30P24
A30H30BLP	30	30	8	A30P30
A30H24DLP	30	24	12	A30P24
A36H30DLP	36	30	12	A36P30

CONTINUOUS HINGE WITH 3-POINT LATCH, TYPE 4



INDUSTRY STANDARDS

UL 508A Listed; Type 4, 12, 13; File No. E61997
 cUL Listed per CSA C22.2 No. 94; Type 4, 12, 13; File No. E61997

NEMA/EEMAC Type 3, 4, 12, and 13

CSA, File No. 42186: Type 4 and 12
 IEC 60529, IP66

APPLICATION

These time-tested, single-door enclosures feature HOFFMAN's exclusive padlocking Powerglide Handle with 3-point latching for quick and convenient access. Ideal for indoor and outdoor applications, these rigid-bodied enclosures provide superior ease-of-access without sacrificing a secure seal.

BULLETIN: A4W3

Catalog Number	Height (in.)	Width (in.)	Depth (in.)	Panel
A48H36DLP3PT	48	36	12	A48P36
A60H36DLP3PT	60	36	12	A60P36
A72H36DLP3PT	72	36	12	A72P36
A48H36FLP3PT	48	36	16	A48P36
A60H36FLP3PT	60	36	16	A60P36

CONCEPT DISCONNECT ENCLOSURE, TYPE 4



INDUSTRY STANDARDS

Mounting brackets required to maintain UL/CSA external mounting requirement.

UL 508A Listed; Type 4, 12; File No. E61997
 cUL Listed per CSA C22.2 No. 94; Type 4, 12; File No. E61997

NEMA/EEMAC Type 4, 12, Type 13
 CSA File No. 42186: Type 4, 12
 VDE, IP66
 IEC 60529, IP66

APPLICATION

Use mild steel Concept Disconnect Enclosures in applications that require indoor and outdoor environmental protection and maintain stylized design features. Accepts major brand disconnect switches and circuit breakers and is supplied with a HOFFMAN-integrated tool-to-open handle.

Furnished with Enclosures

1. Door interlock bracket welded to door
2. Concept-style latching system (2-point or 3-point) installed on door
3. Instructions to locate and install disconnect
4. Hardware kit consisting of padlocking door handle, panel mounting nuts, grounding hardware and sealing washers for mounting holes



BULLETIN: CWD

Catalog Number	Height (in.)	Width (in.)	Depth (in.)	Panel
CDSC30268	30	26	8	CP3024
CDSC36328	36	32	8	CP3630
CDSC423212	42	32	12	CP4230
CDSC423812	42	38	12	CP4236
CDSC483812	48	38	12	CP4836
CDSC603812	60	38	12	CP6036
CDSC603816	60	38	16	CP6036

WALL-MOUNT DISCONNECT ENCLOSURE WITH HANDLE, TYPE 12



INDUSTRY STANDARDS

UL 508A Listed; Type 12, 13; File No. E61997
 cUL Listed per CSA C22.2 No. 94; Type 12, 13; File No. E61997

NEMA/EEMAC Type 12, 13
 CSA File No. 42186: Type 12
 IEC 60529, IP65

APPLICATION

These general purpose disconnect enclosures accept major brand disconnect switches and circuit breakers, available with the HOFFMAN-supplied defeater door handle and handle hardware.

BULLETIN: A25

Catalog Number	Height (in.)	Width (in.)	Depth (in.)	Panel
A24SA2608LPPL	24	26	8	A24P24
A30SA2608LPPL	30	26	8	A30P24
A36SA3208LPPL	36	32	8	A36P30
A36SA3212LPPL	36	32	12	A36P30
A42SA3212LPPL	42	32	12	A42P30
A42SA3812LPPL	42	38	12	A42P36
A48SA3812LPPL	48	38	12	A48P36
A60SA3812LPPL	60	38	12	A60P36
A48SA3816LPPL	48	38	16	A48P36
A60SA3816LPPL	60	38	16	A60P36

MILD STEEL SEQUESTER EXTERNAL DISCONNECT ENCLOSURE, TYPE 12



INDUSTRY STANDARDS

UL 508A Listed; Type 12; File No. E61997
 cUL Listed per CSA C22.2 No. 94; Type 12; File No. E61997

NEMA/EEMAC Type 12
 CSA File No. 42186: Type 12
 IEC 60529, IP55

APPLICATION

Retrofit disconnect enclosure to isolate incoming power and help mitigate arc flash occurrences by moving the disconnect switch to the Sequestr enclosure. Power is passed-through to the main enclosure. The Sequestr enclosure is sized for use with up to 200A disconnect switches and designed to fit with bulletins A28 and A34 main enclosures.

BULLETIN: A70D

Catalog Number	Height (in.)	Width (in.)	Depth (in.)	Panel
AXD18	34.5	14	18	Conductive Back Panel Included

CONTINUOUS HINGE WITH CLAMPS, TYPE 12



INDUSTRY STANDARDS

UL 50, 50E Listed; Type 12, 13; File No. E27567
 cUL Listed per CSA 22.2 No. 94; Type 12, 13; File No. E27567
 UL 508A Listed; Type 12, 13; File No. E61997
 cUL Listed per CSA 22.2 No. 94; Type 12, 13; File No. E61997

NEMA/EEMAC Type 12 and 13
 CSA, File No. 42184: Type 12
 IEC 60529, IP65

APPLICATION

This easy-to-open, continuous hinge enclosure features screw-down clamps for secure closure and can be used in a wide variety of applications.

BULLETIN: A51CH

Catalog Number	Height (in.)	Width (in.)	Depth (in.)	Panel
A404CH	4	4	3	No panel
A604CH	6	4	3	A6P4
A806CH	8	6	3.5	A8P6
A606CH	6	6	4	A6P6
A808CH	8	8	4	A8P8
A1008CH	10	8	4	A10P8
A1210CH	12	10	5	A12P10
A10086CH	10	8	6	A10P8
A10106CH	10	10	6	A10P10
A1212CH	12	12	6	A12P12
A1412CH	14	12	6	A14P12
A1614CH	16	14	6	A16P14
A14128CH	14	12	8	A14P12
A16148CH	16	14	8	A16P14



CONTINUOUS HINGE WITH CLAMPS, TYPE 4



INDUSTRY STANDARDS

UL 50, 50E Listed; Type 4, 12, 13; File No. E27567
 cUL Listed per CSA C22.2 No. 94; Type 4, 12, 13; File No. E27567
 UL 508A Listed; Type 4, 12, 13; File No. E61997
 cUL Listed per CSA C22.2 No. 94; Type 4, 12, 13; File No. E61997

NEMA/EEMAC Type 4, 12, 13
 CSA, File No. 42184: Type 4 and 12
 IEC 60529, IP66

APPLICATION

A continuous hinge combined with stainless steel clamps on three sides provide environmental protection and security in indoor or outdoor applications.

BULLETIN: A51NF

Catalog Number	Height (in.)	Width (in.)	Depth (in.)	Panel
A606CHNF	6	6	4	A6P6
A808CHNF	8	8	4	A8P8
A1008CHNF	10	8	4	A10P8
A1210CHNF	12	10	5	A12P10
A10106CHNF	10	10	6	A10P10
A1212CHNF	12	12	6	A12P12
A1412CHNF	14	12	6	A14P12
A1614CHNF	16	14	6	A16P14

CONTINUOUS HINGE WITH QUARTER-TURN LATCH, TYPE 4



1



APPLICATION

This enclosure provides the convenience of quarter-turn latching with an aesthetic, easy-to-maintain light gray textured finish.

BULLETIN: A51FL

Catalog Number	Height (in.)	Width (in.)	Depth (in.)	Panel
A404CHFL	4	4	3	No Panel
A806CHFL	8	6	3.5	A8P6
A606CHFL	6	6	4	A6P6
A808CHFL	8	8	4	A8P8
A1210CHFL	12	10	5	A12P10
A10086CHFL	10	8	6	A10P8
A10106CHFL	10	10	6	A10P10
A1212CHFL	12	12	6	A12P12
A14128CHFL	14	12	8	A14P12
A16148CHFL	16	14	8	A16P14

INDUSTRY STANDARDS

UL 508A Listed; Type 4, 12; File No. E61997
 cUL Listed per CSA C22.2 No. 94 Listed; Type 4, 12; File No. E61997

NEMA/EEMAC Type 4 and 12
 IEC 60529, IP 66

SCREW COVER, TYPE 12



APPLICATION

Ideal for a broad range of applications, this enclosure's screw cover is secured in each corner for a positive seal but easily removed for modifications.

BULLETIN: A51SC

Catalog Number	Height (in.)	Width (in.)	Depth (in.)	Panel
A404SC	4	4	3	No Panel
A604SC	6	4	3	A6P4
A806SC	8	6	3.5	A8P6
A606SC	6	6	4	A6P6
A808SC	8	8	4	A8P8
A1008SC	10	8	4	A10P8
A1210SC	12	10	5	A12P10
A10106SC	10	10	6	A10P10
A1212SC	12	12	6	A12P12
A1412SC	14	12	6	A14P12
A1614SC	16	14	6	A16P14

INDUSTRY STANDARDS

UL 50, 50E Listed; Type 12, 13; File No. E27525
 cUL Listed per CSA C22.2 No. 94; Type 12, 13; File No. E27525
 UL 508A Listed; Type 12, 13; File No. E61997
 cUL Listed per CSA C22.2 No. 94; Type 12, 13; File No. E61997

NEMA/EEMAC: Type 12 and 13
 CSA, File No. 42184: Type 12
 IEC 60529, IP65

SCREW COVER, CONTOURED, TYPE 4



INDUSTRY STANDARDS

UL 508A Listed; Type 4, 6, 12, 13; File No. E61997
 cUL Listed per CSA C22.2 No. 94; Type 4, 6, 12, 13; File No. E61997



NEMA Type 4, 6, 12, 13
 CSA, File No. 42186: Type 4, 12, 13
 IEC 60529, IP67

APPLICATION

Made out of drawn steel, this screw cover junction box offers rounded corners and smooth construction while meeting the water submersion rating. It can be used for a broad range of electrical and terminal wiring applications that do not require a back panel.

BULLETIN: A51DR

Catalog Number	Height (in.)	Width (in.)	Depth (in.)	Panel
A404DSC	4	4	2.6	No Panel



PUSHBUTTON ENCLOSURES, TYPE 12



1

INDUSTRY STANDARDS

UL 508A Listed; Type 12, 13; File No. E61997
 cUL Listed per CSA C22.2 No. 94; Type 12, 13; File No. E61997

NEMA/EEMAC Type 12, 13
 CSA File Number 42186: Type 12
 IEC 60529, IP65

APPLICATION

These pushbutton and extra-deep pushbutton enclosures are designed to hold 30.5-mm or 22.5-mm pushbuttons and switches.

BULLETIN: PB1

Catalog Number	Height (in.)	Width (in.)	Depth (in.)	Holes
E1PB	3.5	3.25	2.75	1 – 30.5mm
E2PB	5.75	3.25	2.75	2 – 30.5mm
E3PB	8	3.25	2.75	3 – 30.5mm
E4PB	10	3.25	2.75	4 – 30.5mm
E1PBG	3.5	3.25	2.75	1 – 22.5mm
E2PBG	5.75	3.25	2.75	2 – 22.5mm
E3PBG	8	3.25	2.75	3 – 22.5mm
E4PBG	10	3.25	2.75	4 – 22.5mm

EXTRA-DEEP PUSHBUTTON ENCLOSURES, TYPE 4



APPLICATION

These pushbutton and extra-deep pushbutton enclosures are designed to hold 30.5-mm or 22.5-mm pushbuttons and switches.

BULLETIN: PB1

Catalog Number	Height (in.)	Width (in.)	Depth (in.)	Holes
E1PBX4	4	4	4.75	1 – 30.5mm
E2PBX4	6	4	4.75	2 – 30.5mm
E3PBX4	8	4	4.75	3 – 30.5mm
E4PBX4	10	4	4.75	4 – 30.5mm
E1PBXM4	4	4	4.75	1 – 22.5mm
E2PBXM4	6	4	4.75	2 – 22.5mm
E3PBXM4	8	4	4.75	3 – 22.5mm
E4PBXM4	10	4	4.75	4 – 22.5mm

INDUSTRY STANDARDS

UL 508A Listed; Type 4, 12; File No. E61997
 cUL Listed per CSA C22.2 No. 94; Type 4, 12; File No. E61997

NEMA/EEMAC Type 4, 12
 CSA File Number 42186: Type 4, 12
 IEC 60529, IP66

CONCEPT, TYPE 4X



INDUSTRY STANDARDS

Mounting brackets required to meet UL/CSA external mounting requirements.

UL 508A Listed; Type 3R, 4, 4X, 12; File No. E61997
 cUL Listed per CSA C22.2 No 94; Type 3R, 4, 4X, 12; File No. E61997

NEMA/EEMAC Type 3R, 4, 4X, 12, 13
 CSA File No. 42186: Type 4, 4X, 12
 VDE IP66
 IEC 60529, IP66

Meets NEMA Type 3RX requirements

APPLICATION

For indoor or outdoor applications that require corrosion protection from chemicals and water. Concept Enclosures feature streamlined styling with an attractive stroked finish and flush quarter-turn latches for secure closure.

BULLETIN: CWS

Catalog Number	Height (in.)	Width (in.)	Depth (in.)	Panel
CSD12126SS	12	12	6	CP1212
CSD12126SS6	12	12	6	CP1212
CSD161210SS	16	12	10	CP1612
CSD16126SS	16	12	6	CP1612
CSD16128SS	16	12	8	CP1612
CSD161610SS	16	16	10	CP1616
CSD16166SS	16	16	6	CP1616
CSD16168SS	16	16	8	CP1616
CSD16208SS	16	20	8	CP2016
CSD201610SS	20	16	10	CP2016
CSD20166SS	20	16	6	CP2016
CSD20168SS	20	16	8	CP2016
CSD202010SS	20	20	10	CP2020
CSD202012SS	20	20	12	CP2020
CSD20206SS	20	20	6	CP2020
CSD20208SS	20	20	8	CP2020
CSD24168SS	24	16	8	CP2416
CSD242010SS	24	20	10	CP2420
CSD24208SS	24	20	8	CP2420
CSD242410SS	24	24	10	CP2424
CSD242412SS	24	24	12	CP2424
CSD24248SS	24	24	8	CP2424
CSD24248SS6	24	24	8	CP2424
CSD243010SS	24	30	10	CP3024
CSD302410SS	30	24	10	CP3024
CSD302412SS	30	24	12	CP3024
CSD30248SS	30	24	8	CP3024
CSD303010SS	30	30	10	CP3030
CSD303012SS	30	30	12	CP3030
CSD30308SS	30	30	8	CP3030
CSD362412SS	36	24	12	CP3624
CSD363010SS	36	30	10	CP3630
CSD363012SS	36	30	12	CP3630
CSD363610SSR	36	36	10	CP3636
CSD363612SS6R	36	36	12	CP3636
CSD363612SSR	36	36	12	CP3636
CSD423612SSR	42	36	12	CP4236
CSD483612SSR	48	36	12	CP4836
CSD603612SSR	60	36	12	CP6036



CONTINUOUS HINGE WITH CLAMPS LP, TYPE 4X



1



INDUSTRY STANDARDS

UL 508A Listed; Type 3R, 4, 4X, 12; File No. E61997
 cUL Listed per CSA C22.2 No 94; Type 3R, 4, 4X, 12; File No. E61997

NEMA/EEMAC Type 3, 3R, 4, 4X, 12, 13
 CSA File No. 42186: Type 4, 4X, 12
 IEC 60529, IP66

Meets NEMA Type 3RX requirements

APPLICATION

For use in indoor and outdoor corrosive environments that require a water-tight seal, this enclosure's seamless foam-in-place gasket and screw-down clamps provide a secure seal against contaminants.

BULLETIN: A4S

Catalog Number	Height (in.)	Width (in.)	Depth (in.)	Panel
A16H1206SS6LP	16	12	6	A16P12
A16H1206SSLP	16	12	6	A16P12
A16H1208SS6LP	16	12	8	A16P12
A16H1208SSLP	16	12	8	A16P12
A16H1606SS6LP	16	16	6	A16P16
A16H1606SSLP	16	16	6	A16P16
A20H1606SS6LP	20	16	6	A20P16
A20H1606SSLP	20	16	6	A20P16
A20H1608SS6LP	20	16	8	A20P16
A20H1608SSLP	20	16	8	A20P16
A20H1610SS6LP	20	16	10	A20P16
A20H1610SSLP	20	16	10	A20P16
A20H2006SS6LP	20	20	6	A20P20
A20H2006SSLP	20	20	6	A20P20
A20H2008SS6LP	20	20	8	A20P20
A20H2008SSLP	20	20	8	A20P20
A24H1608SSLP	24	16	8	A24P16
A24H2006SSLP	24	20	6	A24P20
A24H2008SS6LP	24	20	8	A24P20
A24H2008SSLP	24	20	8	A24P20
A24H2010SS6LP	24	20	10	A24P20
A24H2010SSLP	24	20	10	A24P20
A24H2406SSLP	24	24	6	A24P24
A24H2408SS6LP	24	24	8	A24P24
A24H2408SSLP	24	24	8	A24P24
A24H2412SS6LP	24	24	12	A24P24
A24H2412SSLP	24	24	12	A24P24
A30H2408SS6LP	30	24	8	A30P24
A30H2408SSLP	30	24	8	A30P24
A30H2410SSLP	30	24	10	A30P24
A30H2412SS6LP	30	24	12	A30P24
A30H2412SSLP	30	24	12	A30P24
A30H3008SS6LP	30	30	8	A30P30
A30H3008SSLP	30	30	8	A30P30
A36H2408SS6LP	36	24	8	A36P24
A36H2408SSLP	36	24	8	A36P24
A36H2410SSLP	36	24	10	A36P24
A36H3008SSLP	36	30	8	A36P30
A36H3010SSLP	36	30	10	A36P30
A36H3012SS6LP	36	30	12	A36P30
A36H3012SSLP	36	30	12	A36P30
A36H3016SSLP	36	30	16	A36P30
A36H3612SS6LP	36	36	12	A36P36
A36H3612SSLP	36	36	12	A36P36
A48H3612SS6LP	48	36	12	A48P36
A48H3612SSLP	48	36	12	A48P36
A48H3616SSLP	48	36	16	A48P36
A60H3612SSLP	60	36	12	A60P36

CONTINUOUS HINGE WITH 3-POINT LATCH, TYPE 4X



APPLICATION

These enclosures feature HOFFMAN's exclusive Powerglide handle with 3-point latching, ideal for indoor or outdoor applications that require corrosion protection, convenient access, and padlocking security.



BULLETIN: A4SW3

Catalog Number	Height (in.)	Width (in.)	Depth (in.)	Panel
A24H2408SS6LP3PT	24	24	8	A24P24
A24H2408SSLP3PT	24	24	8	A24P24
A24H2412SSLP3PT	24	24	12	A24P24
A30H2412SSLP3PT	30	24	12	A30P24
A36H3012SSLP3PT	36	30	12	A36P30
A36H3612SSLP3PT	36	36	12	A36P36
A42H3612SSLP3PT	42	36	12	A42P36
A48H3612SS6LP3PT	48	36	12	A48P36
A48H3612SSLP3PT	48	36	12	A48P36
A48H3616SS6LP3PT	48	36	16	A48P36
A48H3616SSLP3PT	48	36	16	A48P36
A60H3612SSLP3PT	60	36	12	A60P36
A60H3616SSLP3PT	60	36	16	A60P36

INDUSTRY STANDARDS

UL 508A Listed; Type 3R, 4, 4X, 12; File No. E61997
 cUL Listed per CSA C22.2 No 94; Type 3R, 4, 4X, 12; File No. E61997

NEMA/EEMAC Type 3R, 4, 4X, 12, 13
 IEC 60529, IP66

Meets NEMA Type 3RX requirements

HOFFMAN WATERSHED, TYPE 4X



APPLICATION

Specifically designed for use in sanitary washdown production environments, particularly food and beverage manufacturing. HOFFMAN Watershed Enclosures feature a sloped top, sloped door edges, bullet-style hinges and additional unique features that facilitate washdown runoff.

BULLETIN: WS1

Catalog Number	Height (in.)	Width (in.)	Depth (in.)	Panel
WS161208SS	16	12	8	A16P12
WS161608SS	16	16	8	A16P16
WS201608SS	20	16	8	A20P16
WS202008SS	20	20	8	A20P20
WS242408SS	24	24	8	A24P24
WS242412SS	24	24	12	A24P24
WS302412SS	30	24	12	A30P24
WS303008SS	30	30	8	A30P30
WS363012SS	36	30	12	A36P30
WS363612SS	36	36	12	A36P36
WS483616SS	48	36	16	A48P36
WS603616SS	60	36	16	A60P36

INDUSTRY STANDARDS

Mounting brackets required to meet UL/cUL external mounting requirement.

UL 508A Listed; Type 4, 4X, 12; File Number E61997
 cUL Listed per CSA C22.2 No 94; Type 4, 4X, 12; File No. E61997

NSF 169
 NEMA/EEMAC Type 4, 4X, 12
 IEC 60529, IP66

CONTINUOUS-HINGE WITH CLAMPS, TYPE 4X



1



APPLICATION

Used in either indoor or outdoor applications, these enclosures combine a rugged continuous hinge, seamless foam-in-place gasket and stainless steel screw-down clamps for a reliable seal that protects components from corrosive environments.

BULLETIN: A51S

Catalog Number	Height (in.)	Width (in.)	Depth (in.)	Panel
A6044CHNFSS	6	4	4	A6P4
A606CHNFSS	6	6	4	A6P6
A8064CHNFSS	8	6	4	A8P6
A1008CHNFSS	10	8	4	A10P8
A12106CHNFSS	12	10	6	A12P10
A1212CHNFSS	12	12	6	A12P12
A1412CHNFSS	14	12	6	A14P12
A1614CHNFSS	16	14	6	A16P14
A8064CHNFSS6	8	6	4	A8P6
A1008CHNFSS6	10	8	4	A10P8
A12106CHNFSS6	12	10	6	A12P10
A1212CHNFSS6	12	12	6	A12P12
A1412CHNFSS6	14	12	6	A14P12
A1614CHNFSS6	16	14	6	A16P14

INDUSTRY STANDARDS

UL 50, 50E Listed; Type 3R, 4, 4X, 12; File No. E27567
 cUL Listed per CSA C22.2 No 94; Type 3R, 4, 4X, 12; File No. E27567
 UL 508A Listed; Type 3R, 4, 4X, 12; File No. E61997
 cUL Listed per CSA C22.2 No 94; Type 3R, 4, 4X, 12; File No. E61997

NEMA/EEMAC Type 3R, 4, 4X, 12, 13
 CSA File No. 42184: Type 4, 4X, 12
 IEC 60529, IP66
Meets NEMA Type 3RX requirements

30.5-MM AND 22.5-MM PUSHBUTTON ENCLOSURES, TYPE 4X



INDUSTRY STANDARDS

UL 508A Listed; Type 4, 4X, 12; File Number E61997
 cUL Listed per CSA C22.2 No 94; Type 4, 4X, 12; File No. E61997

NEMA/EEMAC Type 4X, 12, 13
 CSA File Number 42186: Type 4, 4X, 12
 IEC 60529, IP66

APPLICATION

Punched specifically to house either 30.5-mm or 22.5-mm oil-tight pushbuttons, switches and pilot lights. Pushbutton and extra-deep pushbutton enclosures provide protection against dirt, dust, oil and water.



BULLETIN: PB1S

Catalog Number	Height (in.)	Width (in.)	Depth (in.)	Holes
E1PBGSS	3.50	4.25	2.75	1 – 22.5mm
E1PBSS	3.50	4.25	2.75	1 – 30.5mm
E1PBXSS	4.00	4.00	4.75	1 – 30.5mm
E2PBSS	5.75	3.25	2.75	2 – 30.5mm
E3PBSS	8.00	3.25	2.75	3 – 30.5mm



CONTINUOUS HINGE, TYPE 4X



1

INDUSTRY STANDARDS

Mounting brackets required to meet UL/CSA external mounting requirements.

UL 508A Listed; Type 4, 4X, 12, 13; File No. E61997
 cUL Listed per CSA C22.2 No 94; Type 4, 4X, 12, 13; File No. E61997
 Enclosure flammability evaluated per UL 508A

NEMA/EEMAC Type 4, 4X, 12, 13
 CSA File No. 42186: Type 4, 4X, 12, 13
 IEC 60529, IP66

APPLICATION

The efficient design and simple construction of these enclosures make them durable in corrosive environments, yet aesthetically pleasing. Corner latches provide unobstructed access. The continuous hinge provides a secure seal, and double latching creates added security.

BULLETIN: A48

Catalog Number	Height (in.)	Width (in.)	Depth (in.)	Panel
A664CHQRFG	6	6	4	A6P6
A864CHQRFG	8	6	4	A8P6
A1086CHQRFG	10	8	6	A10P8
A12106CHQRFG	12	10	6	A12P10
A14128CHQRFG	14	12	8	A14P12
A16148CHQRFG	16	14	8	A16P14
A181610CHQRFG	18	16	10	A18P16

HINGE-COVER WITH QUICK-RELEASE LATCHES, TYPE 4X



APPLICATION

A full range of modification options are available for this wall-mount fiberglass enclosure. This enclosure features padlockable polyester latches for ease of access with increased security.

BULLETIN: A17WM

Catalog Number	Height (in.)	Width (in.)	Depth (in.)	Panel
A24H2408GQRLP	24	24	8	A24P24
A30H2412GQRLP	30	24	12	A30P24

INDUSTRY STANDARDS

UL 508A Listed; Type 3, 3R, 4, 4X, 12, 13; File No. E61997
 cUL Listed per CSA C22.2 No 94; Type 3, 3R, 4, 4X, 12, 13; File No. E61997
 Enclosure flammability evaluated per UL 508A

NEMA/EEMAC Type 3, 3R, 4, 4X, 12, 13
 IEC 60529, IP66
 Meets NEMA Type 3RX requirements

Notes



POLYPRO, TYPE 4X



INDUSTRY STANDARDS

Mounting brackets required to meet UL/CSA external mounting requirements.

UL 508A Listed; Type 4, 4X, 12, 13; File No. E61997
 cUL Listed per CSA C22.2 No 94; Type 4, 4X, 12, 13; File No. E61997
 Enclosure flammability evaluated per UL 508A

NEMA/EEMAC Type 4, 4X, 12, 13
 CSA File No. 42186; Type 4, 4X, 12, 13 (solid covers only)
 IEC 60529, IP66

APPLICATION

PolyPro polyester enclosures perform exceptionally well in applications where harsh chemicals, weather extremes and corrosive environments demand toughness from a lightweight enclosure. Providing excellent ultraviolet protection and a tight environmental seal, these versatile, feature-rich enclosures are also recyclable.

BULLETIN: PCR

Catalog Number	Height (in.)	Width (in.)	Depth (in.)	Panel
A864PHC	8	6	4	A8P6
A12106PHC	12	10	6	A12P10

QLINE D, TYPE 4X



APPLICATION

Qline D polycarbonate enclosures have contoured bodies with flush cover screws for an attractive, contemporary appearance. Tough as well as stylish, they are functional in corrosive environments and can withstand occasional submersion.

BULLETIN: Q41

Catalog Number	Height (in.)	Width (in.)	Depth (in.)	Panel
Q889PCD	3	3	3	Q88PD
Q16129PCD	6	4.5	3	Q1612PD

INDUSTRY STANDARDS

Polycarbonate Enclosure

UL 508A Listed; Type 4, 4X, 6, 12, 13; File No. E61997
 cUL Listed per CSA C22.2 No 94; Type 4, 4X, 6, 12, 13; File No. E61997
 Enclosure flammability evaluated per UL 508A

NEMA/EEMAC Type 4, 4X, 6, 12, 13
 CSA File No. 42186; Type 4, 4X, 6, 12, 13
 IEC 60529, IP67

QLINE D PUSHBUTTON, TYPE 4X



INDUSTRY STANDARDS

UL 508A Listed; Type 4, 4X, 12, 13; No. E61997
 cUL Listed per CSA C22.2 No 94; Type 4, 4X, 12, 13; No. E61997
 Enclosure flammability evaluated per UL 508A

NEMA/EEMAC Type 4, 4X, 12
 CSA File Number 42186: Type 4, 4X, 12
 IEC 60529, IP67

APPLICATION

Used for insulating and housing 22.5-mm pushbuttons in hostile environments. This Qline D Enclosure has contoured bodies with flush cover screws for an attractive, contemporary appearance.

BULLETIN: Q41

Catalog Number	Height (in.)	Width (in.)	Depth (in.)	Holes	Panel
Q1PBPCDM	3	3	3	1 – 22.5mm	Q88PD





CHAPTER 2 FREE-STAND AND FLOOR-MOUNT ENCLOSURES



Free-Stand, Type 12, Single or Dual Access

Available with front or front and rear access, these Type 12 enclosures have sturdy unibody construction and flexible internal mounting options.



Two-Door with 3-Point Latches, Type 4X

These two-door enclosures provide industry-leading protection for large components or complex mounting configurations in highly-corrosive environments.



CHAPTER CONTENT

MILD STEEL 30



Free-Stand

Free-Stand, Type 12, Single or Dual Access	30
Free-Stand Disconnect with Quick-Release Continuous Hinge, Type 4	30
Heavy-Duty Free-Stand Disconnect Enclosure, Type 12	31
Modular Disconnect Enclosure, Type 12	32
Free-Stand, Type 4 with 3-Point Latch	32

Floor-Mount

Two-Door with Floor Stands Disconnect Enclosure, Type 12	33
Two-Door with Floor Stands and 3-Point Latch, Type 4	34
Two-Door with Floor Stands and 3-Point Latch, Type 12	34

Disconnect Enclosure Accessories

Operator Adapters	35
Blank Adapter Plate	35

STAINLESS STEEL 36

Floor-Mount

Two-Door with 3-Point Latches, Type 4X	36
--	----

Free-Stand

Free-Stand, Type 4X, Single and Dual Access	37
---	----

HOFFMAN on Demand

Please visit hoffman.nvent.com for the entire HOFFMAN breadth of 15,000 products.

FREE-STAND, TYPE 12, SINGLE OR DUAL ACCESS



INDUSTRY STANDARDS

UL 508A Listed; Type 12; File No. E61997
 cUL Listed per CSA C22.2 No. 94; Type 12; File No. E61997

NEMA/EEMAC Type 12
 E.I.A. RS310D
 CSA, File No. 42186, Type 12
 IEC 60529, IP55

Applicable industry standards only for enclosures with Seismic Accessories:
 NEBS- Telcordia GR-63-CORE Zone 4, tested with 1000lbs evenly distributed
 OSHPD Pre-Approval OPM-0247-13

APPLICATION

Available with front or front and rear access, these Type 12 enclosures have sturdy unibody construction and flexible internal mounting options.

BULLETIN: A30

2

Catalog Number	Height (in.)	Width (in.)	Depth (in.)	Panel
A603624FS	60	36	24	A60P36F1
A723018FS	72	30	18	A72P30F1
A723618FS	72	36	18	A72P36F1
A723624FS	72	36	24	A72P36F1
A724818FSD	72	48	18	A72P48F1
A724824FSD	72	48	24	A72P48F1
A726024FSD	72	60	24	A72P60F1
A727218FSD	72	72	18	A72P72F1
A903624FS	90	36	24	A90P36F1
A904820FSD	90	48	20	A90P48F1
A907220FSD	90	72	20	A90P72F1
A907224FSD	90	72	24	A90P72F1

FREE-STAND DISCONNECT WITH QUICK-RELEASE CONTINUOUS HINGE, TYPE 4



INDUSTRY STANDARDS

UL 508A Listed; Type 4, 12, 3R; File No. E61997
 cUL Listed per CSA C22.2 No. 94; Type 4, 12, 3R; File No. E61997

NEMA/EEMAC Type 4, 12, 3R
 IEC 60529, IP66

APPLICATION

Simple, heavy-duty with easy door removal and re-installation, this disconnect enclosure can be ordered with one or two doors to fit a range of applications.

BULLETIN: A4L3D

Catalog Number	Height (in.)	Width (in.)	Depth (in.)	Panel
A72XM3418FTCLP4	72	34	18	A72PM34
A72XM5418FTCLP4	72	54	18	A72PM54

HEAVY-DUTY FREE-STAND DISCONNECT ENCLOSURE, TYPE 12



INDUSTRY STANDARDS

UL 508A Listed; Type 12; File No. E61997
cUL Listed per CSA C22.2 No. 94; Type 12; File No. E61997

NEMA/EEMAC Type 12
CSA File No. 42186: Type 12
IEC 60529, IP55

APPLICATION

Simple, heavy-duty and cost-effective, this disconnect enclosure can be ordered with one to four doors to fit a range of applications. Available in ANSI 61 outside and white, polyester powder paint inside.

BULLETIN: A28M1, A28M2, A28MM



A28M1 One Door

Catalog Number	Height (in.)	Width (in.)	Depth (in.)	Panel
A72XM3418FTCLP	72	34	18	A72PM34
A72XM4018FTCLP	72	40	18	A72PM40
A84XM4018FTCLP	84	40	18	A84PM40
A84XM4024FTCLP	84	40	24	A84PM40
A90XM4018FTCLP	90	40	18	A90PM40

A28M2 Two Door

Catalog Number	Height (in.)	Width (in.)	Depth (in.)	Panel
A72XM5418FTCLP	72	54	18	A72PM54
A72XM6618FTCLP	72	66	18	A72PM66
A72XM7818FTCLP	72	78	18	A72PM78
A72XM7824FTCLP	72	78	24	A72PM78
A84XM7818FTCLP	84	78	18	A84PM78
A90XM7818FTCLP	90	78	18	A90PM78
A90XM7824FTCLP	90	78	24	A90PM78

A28MM Three Door

Catalog Number	Height (in.)	Width (in.)	Depth (in.)	Panel
A84XM3EW18FTCLP	84	118	18	A84PM40, A84PM78

A28MM Four Door

Catalog Number	Height (in.)	Width (in.)	Depth (in.)	Panel
A84XM4EW18FTCLP	84	158	18	A84PM78

MODULAR DISCONNECT ENCLOSURE, TYPE 12



INDUSTRY STANDARDS

UL 508A Listed; Type 12; File No. E61997
 cUL Listed per CSA C22.2 No. 94; Type 12; File No. E61997

NEMA Type 12
 CSA File No. 42186: Type 12
 IEC 60529, IP55

APPLICATION

Modular disconnect enclosures provide configuration flexibility and versatility. One- and two-door models can be bolted together in any configuration. Slave enclosures can be added or removed as required.

BULLETIN: A34

Catalog Number	Height (in.)	Width (in.)	Depth (in.)	Panel
AMOD843918FTCLP	84	39	18	No Panel
AMOD847718FTCLP	84	78	18	No Panel
AMOD84X4018FTCLP	84	40	18	No Panel
AMOD84X7818FTCLP	84	78	18	No Panel

2

Modular Disconnect Enclosure Accessories

Catalog Number	Description	Dimensions (in.)
AMOD84EPT	End Plate	84 x 18
AMOD8418FEP	Flat End Plate	84 x 18
AMOD8418BAP	Barrier Panel	84 x 18
AMOD8418FGK	Gasket Kit	84 x 18

FREE-STAND, TYPE 4 WITH 3-POINT LATCH



INDUSTRY STANDARDS

UL 508A Listed; Type 4, 12; File No. E61997
 cUL Listed per CSA C22.2 No. 94; Type 4, 12; File No. E61997

NEMA Type 3, 4, 12, 13
 E.I.A. RS310D
 IEC 60529, IP66

APPLICATION

These enclosures are ideal for mounting equipment on panels or racks in indoor or outdoor applications where it is necessary to protect controls and instrumentation from wet, non-corrosive environments. The design features HOFFMAN's exclusive Powerglide Handle with 3-point latching for secure closure.

BULLETIN: A4L3

Catalog Number	Height (in.)	Width (in.)	Depth (in.)	Panel
A72H2518FS3PT	72	25	18	A72P24F1
A72H3124FS3PT	72	31	24	A72P30F1
A72H3724FS3PT	72	37	24	A72P36F1

TWO-DOOR WITH FLOOR STANDS DISCONNECT ENCLOSURE, TYPE 12



INDUSTRY STANDARDS

UL 508A Listed; Type 12; File No. E61997
cUL Listed per CSA C22.2 No. 94; Type 12; File No. E61997

NEMA/EEMAC Type 12
CSA File No. 42186: Type 12
IEC 60529, IP55

APPLICATION

A disconnect can be installed on the right side of this enclosure. Floor stands provide additional height and access for cleaning under the enclosure. Available in ANSI 61 outside and white, polyester powder paint inside.

BULLETIN: A21



Catalog Number	Height (in.)	Width (in.)	Depth (in.)	Panel
A60X4912LPFTC	60	50	12	A60P48
A60X4918LPFTC	60	50	18	A60P48
A60X6112LPFTC	60	62	12	A60P60
A60X6118LPFTC	60	62	18	A60P60
A72X6112LPFTC	72	62	12	A72P60
A72X6118LPFTC	72	62	18	A72P60
A72X7312LPFTC	72	74	12	A72P72
A72X7318LPFTC	72	74	18	A72P72
A72X7324LPFTC	72	74	24	A72P72

TWO-DOOR WITH FLOOR STANDS AND 3-POINT LATCH, TYPE 4



APPLICATION

These enclosures are ideal for indoor or outdoor applications where it is necessary to protect controls and instrumentation from wet, non-corrosive environments. The design features HOFFMAN's exclusive Powerglide Handle with 3-point latching for secure closure and floor stands that provide additional height and access for cleaning under the enclosure.

BULLETIN: A4L3

Catalog Number	Height (in.)	Width (in.)	Depth (in.)	Panel
A62H4810LP3PT	62	48	10	A60P48
A62H4818LP3PT	62	48	18	A60P48
A62H6012LP3PT	62	60	12	A60P60
A62H6018LP3PT	62	60	18	A60P60
A74H6012LP3PT	74	60	12	A72P60
A74H6018LP3PT	74	60	18	A72P60
A74H7212LP3PT	74	72	12	A72P72
A74H7218LP3PT	74	72	18	A72P72
A74H7224LP3PT	74	72	24	A72P72

INDUSTRY STANDARDS

UL 508A Listed; Type 4, 12; File No. E61997
 cUL Listed per CSA C22.2 No. 94; Type 4, 12; File No. E61997

NEMA/EEMAC, Type 3, 4, 12, 13
 IEC 60529, IP66

2

TWO-DOOR WITH FLOOR STANDS AND 3-POINT LATCH, TYPE 12



Catalog Number	Height (in.)	Width (in.)	Depth (in.)	Panel
A604808LP	60	48	8	A60P48
A604810LP	60	48	10	A60P48
A604812LP	60	48	12	A60P48
A604816LP	60	48	16	A60P48
A604824LP	60	48	24	A60P48
A606010LP	60	60	10	A60P60
A606012LP	60	60	12	A60P60
A606016LP	60	60	16	A60P60
A606024LP	60	60	24	A60P60
A726010ULP	72	60	10	A72P60
A726012ULP	72	60	12	A72P60
A726016ULP	72	60	16	A72P60
A726024ULP	72	60	24	A72P60
A727210ULP	72	72	10	A72P72
A727212ULP	72	72	12	A72P72
A727216ULP	72	72	16	A72P72
A727224ULP	72	72	24	A72P72

INDUSTRY STANDARDS

UL 508A Listed; Type 12; File No. E61997
 cUL Listed per CSA C22.2 No. 94; Type 12; File No. E61997

NEMA/EEMAC Type 12
 CSA, File No. 42186, Type 12
 IEC 60529, IP55

APPLICATION

Enclosures have gasketed, overlapping doors to give protection in industrial environments and floor stands that provide additional height and access for cleaning under the enclosure. Because there is no centerpost, it is simple to install and remove panels.

BULLETIN: A12L

OPERATOR ADAPTERS



APPLICATION

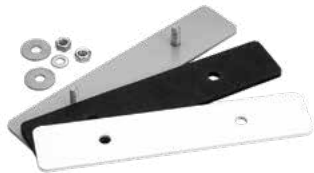
An operator adapter is required to install a disconnect in Bulletin A21, A28, A34 and A4L3D HOFFMAN enclosures that have a universal cutout.

BULLETIN: ADY

Catalog Number	Description
ABBLC	ABB Controls, Large Handle
ABBSC	ABB Controls, Small Handle
ABBSV	ABB Variable-Depth, Small Handle
ABF	Allen-Bradley 1494F & 1494D Fixed-Depth Mechanisms
ABL	Allen-Bradley 1494V Variable-Depth; Allen-Bradley 140U, 1494C & 194RC Cable-Operated; Large Handle
ABS	Allen-Bradley 1494V Variable-Depth; Allen-Bradley 140U; all 140G handles; 1494U Universal; 1494C & 194RC Cable-Operated; Small Handle
ECHC	Eaton Cutler-Hammer C371 Flex-Shaft Cable-Operated
ECHV	Eaton Cutler-Hammer C361, C371 Variable Depth
GEC	General Electric Flexible Cable-Operated
GEV	General Electric STDA Variable-Depth
SITEL	Siemens I-T-E Max-Flex™; Large Handle
SITES	Siemens I-T-E Max-Flex™; Small Handle
SQDC	Square D® Class 9422 Flex-Cable Mechanisms
SQDV	Square D® Class 9422 Variable-Depth
WAMT	Eaton Cutler-Hammer/Westinghouse Below Handle AMT & Flex-Cable for F Frame Circuit Breakers
WAMTF	Eaton Cutler-Hammer/Westinghouse Flex-Cable for Circuit Breakers Except for F Frame



BLANK ADAPTER PLATE



APPLICATION

Covers flange cutouts in disconnect enclosures when disconnects are not installed.

BULLETIN: ADY

Catalog Number	Description
UBP	With preferred cutouts (i.e. A19S, CWSD, A21S4, A28S4, WS2D, A4S2, WS1D)

TWO-DOOR WITH 3-POINT LATCHES, TYPE 4X



INDUSTRY STANDARDS

UL 508A Listed; Type 3R, 4, 4X, 12; File No. E61997
 cUL Listed per CSA C22.2 No 94; Type 3R, 4, 4X, 12; File No. E61997

NEMA Type 3, 3R, 4, 4X, 12, 13

IEC 60529, IP66

Meets NEMA Type 3RX requirements

APPLICATION

These two-door enclosures provide industry-leading protection for large components or complex mounting configurations in highly-corrosive environments. Three-point latching with the HOFFMAN Powerglide padlocking handles and a foam-in-place gasket combine convenience with security. They are well-suited for use in petrochemical plants; pulp and paper processing; water treatment facilities; and food, pharmaceutical and packaging applications.

BULLETIN: A4S3

2

Catalog Number	Height (in.)	Width (in.)	Depth (in.)	Panel
A62H4812SSLP3PT	62	48	12	A60P48
A62H4818SSLP3PT	62	48	18	A60P48
A62H6012SSLP3PT	62	60	12	A60P60
A62H6018SSLP3PT	62	60	18	A60P60
A74H6012SSLP3PT	74	60	12	A72P60
A74H6018SSLP3PT	74	60	18	A72P60
A74H7212SSLP3PT	74	72	12	A72P72
A74H7218SSLP3PT	74	72	18	A72P72
A74H7224SSLP3PT	74	72	24	A72P72

FREE-STAND, TYPE 4X, SINGLE AND DUAL ACCESS



INDUSTRY STANDARDS

UL 508A Listed; Type 3R, 4, 4X, 12; File No. E61997
 cUL Listed per CSA C22.2 No 94; Type 3R, 4, 4X, 12; File No. E61997



NEMA/EEMAC Type 3, 3R, 4, 4X, 12, 13
 E.I.A. RS-310-D
 IEC 60529, IP66
Meets NEMA Type 3RX requirements

Applicable industry standards for enclosures with Seismic Accessories:
 NEBS- Telcordia GR-63-CORE Zone 4, tested with 1000 lbs. evenly distributed
 OSHPD Pre-Approval OPM-0247-13

APPLICATION

Designed to house systems incorporating large components or complex mounting configurations. Three-point latching and sealing provide industry-leading protection from dust, dirt, oil and water. These enclosures are used in machine tool applications for housing motor starters, drives, contactors and PLCs, as well as a wide variety of other electrical and electronic equipment. The addition of 19-in. rack-mounting accessories makes these enclosures ideal for providing rugged protection for sensitive rack-mounted components in harsh industrial environments. These enclosures are used extensively in automotive, pulp and paper, wood products, textile and similar industries.

BULLETIN: A30S4



Catalog Number	Height (in.)	Width (in.)	Depth (in.)	Panel
A723618SSFSN4	72	36	18	A72P36F1
A723624SSFSN4	72	36	24	A72P36F1
A724824SSFSDN4	72	48	24	A72P48F1
A726024SSFSDN4	72	60	24	A72P60F1



CHAPTER 3 MODULAR ENCLOSURE SOLUTIONS



Industrial Packages, Type 12

Proline G2 Industrial Packages are full-featured, ready-to-use enclosure solutions that make it unnecessary to order each component separately.



Fastener Packages

P2ABVM6FP includes 10 BV-M6 fasteners. The blind, variable M6 screw-based fastener is an innovative alternative to cage nuts or self-tapping screws that can cause stripped holes.



CHAPTER CONTENT

PROLINE G2 MODULAR ENCLOSURE SOLUTIONS..... 40



Enclosure Packages

Industrial Packages, Type 12	40
------------------------------------	----

Enclosure Components

Frames	41
Solid Doors (Single or Overlapping Double)	41
Door Bar Grid Straps	41
Solid Cover (Front or Rear)	42
Side Cover	42
Solid Top	42
Gland Plate	43
Plinth Base	43
Fully-Sealed Plinth Base	43
Full Subpanel (Rear or Side)	44
Joining Subpanel	44
Side-Mount Panel	45
Grid Strap Network (Rail System)	45
Adjustable Rack-Mounting Rails	45
Frame Reducing Brackets	46
19-Inch Rack Angles	46
Fastener Packages	46
Panel Support Bracket	47
Dust Cover	47
Door Stop Kit	47
180-Degree Hinge Kit	47
Door Support Roller Kit	48
Steel Data Pocket	48
Frame Joining Kits	48
Cable Entry Gland Plate	48
Lifting Eyes	49
Lifting Angles	49

HOFFMAN on Demand

Please visit hoffman.nvent.com for the entire HOFFMAN breadth of 15,000 products.

INDUSTRIAL PACKAGES, TYPE 12



INDUSTRY STANDARDS

UL 508A Listed; Type 12; File Number E61997

NEMA/EEMAC Type 12
 CSA File Number 42186; Type 12
 VDE IP55
 IEC 60529, IP55

APPLICATION

Proline G2 Industrial Packages are full-featured, ready-to-use enclosure solutions that make it unnecessary to order each component separately. For convenience, a single part number includes a frame, solid door(s), handle and key lock, a solid top, a solid rear cover, a full mounting subpanel, a gland plate, and four lifting eyes. Side covers ordered separately to accommodate joining/baying applications.

BULLETIN: P41

Catalog Number	Height (mm)	Width (mm)	Depth (mm)	No. of Panels
P2K1866	1800	600	600	1
P2K1886	1800	800	600	1
P2K2066	2000	600	600	1
P2K2086	2000	800	600	1
P2K2088	2000	800	800	1
P2K20106	2000	1000	600	1
P2K2286	2200	800	600	1
P2KOD20126	2000	1200	600	2

FRAMES



APPLICATION

The Proline G2 frame is the foundational design element that protects the components inside this modular enclosure. The frame was designed to withstand heavier load requirements and to maintain a solid square structure - a solid foundation for the electrical enclosure.



BULLETIN: P40

Catalog Number	Product Description (mm)
P2F2068	FRAME 2000x600x800
P2F2088	FRAME 2000x800x800
P2F2288	FRAME 2200x800x800

SOLID DOORS (SINGLE OR OVERLAPPING DOUBLE)



APPLICATION

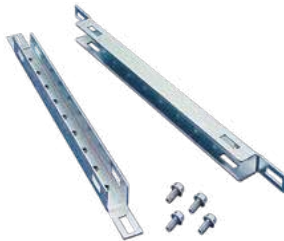
Proline G2 Solid Doors (Single or Overlapping Double) feature a solid swing and a high load capacity. The Smooth Glide latching system is made from quality components and incorporates an innovative timed latch action, ensuring a solid door seal with a low closure force. Sold individually.

BULLETIN: P40

Catalog Number	Product Description (mm)
P2D206	SOLID DOOR 2000x600
P2D208	SOLID DOOR 2000x800
P2D228	SOLID DOOR 2200x800



DOOR BAR GRID STRAPS



APPLICATION

The Proline G2 Door Bar Grid Straps are used to mount accessories to the door.

BULLETIN: P40

Catalog Number	Product Description (mm)
P2GD6	DOOR BAR 600mm
P2GD8	DOOR BAR 800mm

SOLID COVER (FRONT OR REAR)



APPLICATION

Covers on the front or rear of the enclosure frame can substitute for a door, and they have innovative design elements incorporated to ensure fast installation and enhanced structural support.

BULLETIN: P40

Catalog Number	Product Description (mm)
P2C206	FRONT OR REAR COVER 2000x600
P2C208	FRONT OR REAR COVER 2000x800
P2C228	FRONT OR REAR COVER 2200x800

SIDE COVER



APPLICATION

Proline G2 Solid Sides enclose the open sides of the modular enclosure frame and have innovative design elements incorporated to ensure fast installation and enhanced structural support.

BULLETIN: P40

Catalog Number	Product Description (mm)
P2CS186	SIDE COVER 1800x600
P2CS206	SIDE COVER 2000x600
P2CS208	SIDE COVER 2000x800
P2CS226	SIDE COVER 2200x600
P2CS228	SIDE COVER 2200x800

3

SOLID TOP



APPLICATION

Proline G2 Solid tops are used to close the top opening on an enclosure frame.

BULLETIN: P40

Catalog Number	Product Description (mm)
P2T68	SOLID TOP 600x800
P2T88	SOLID TOP 800x800

GLAND PLATE



APPLICATION

Gland plates are used with a plinth base to provide cable management solutions while maintaining a NEMA 12 rating. Proline G2's unique Duro-Stand Gland Plate was designed to bear the weight of a person, making it easier to work on the enclosure when the gland plate is installed.



BULLETIN: P40

Catalog Number	Product Description (mm)
P2BGP68G	GLAND PLATE 600x800 GALV
P2BGP88G	GLAND PLATE 800x800 GALV

PLINTH BASE



APPLICATION

Proline G2 Plinth Bases install under an enclosure to provide space for cables to enter from below.

BULLETIN: P40

Catalog Number	Product Description (mm)
P2BP166	100mm PLINTH 600X600
P2BP168	100mm PLINTH 600X800
P2BP186	100mm PLINTH 800X600
P2BP188	100mm PLINTH 800X800
P2BP1106	100mm PLINTH 1000X600
P2BP1126	100mm PLINTH 1200X600

FULLY-SEALED PLINTH BASE



APPLICATION

No need to use a gland plate in the base of the enclosure with the Fully-Sealed Plinth Base (100mm Solid Base), which includes fully-sealed gland plates on the sides. Solid bases can easily be joined, for convenient cable management in joined/ganged enclosures while maintaining Type 12 environmental rating.

BULLETIN: P40

Catalog Number	Product Description (mm)
P2B166	100mm SEALED PLINTH 600x600
P2B168	100mm SEALED PLINTH 600x800
P2B186	100mm SEALED PLINTH 800x600
P2B188	100mm SEALED PLINTH 800x800

FULL SUBPANEL (REAR OR SIDE)



APPLICATION

The Proline G2 Subpanel is part of the new patent pending EZ-Load Mounting System which was designed to maximize space utilization and to make loading the subpanel faster and safer by providing a variety of loading options. The EZ-Load Glide Blocks can be used to load a subpanel vertically from the front, rear or side. Additionally, they can be used to load the subpanel horizontally—a new method for a more controlled option to load a subpanel into a modular enclosure.

BULLETIN: P40

Catalog Number	Product Description (mm)
P2P186	FULL SUBPANEL 1800x600
P2P188	FULL SUBPANEL 1800x800
P2P206	FULL SUBPANEL 2000x600
P2P206G	FULL SUB GALV 2000x600
P2P208	FULL SUBPANEL 2000x800
P2P208G	FULL SUB GALV 2000x800
P2P2010	FULL SUBPANEL 2000x1000
P2P2010G	FULL SUB GALV 2000x1000
P2P2012	FULL SUBPANEL 2000x1200
P2P228	FULL SUBPANEL 2200x800
P2P228G	FULL SUB GALV 2200x800

JOINING SUBPANEL

3



APPLICATION

The Proline G2 Joining Subpanel provides a continuous panel surface in multiple-bay enclosures. The joining subpanel is inserted between full subpanels of equal height. It can be installed from front or rear.

BULLETIN: P40

Catalog Number	Product Description (mm)
P2PJ20G	JOINING SUB GALV 2000mm
P2PJ20	JOINING SUBPANEL 2000mm
P2PJ22	JOINING SUBPANEL 2200mm
P2PJ22G	JOINING SUB GALV 2200mm

SIDE-MOUNT PANEL



APPLICATION

Partial Subpanels can be used on the sides of a modular enclosure or placed at any depth in 25-mm increments.

BULLETIN: P40



Catalog Number	Product Description (mm)
P2PSM206	SIDE MOUNT SUBPANEL 2000x600
P2PSM208	SIDE MOUNT SUBPANEL 2000x800
P2PSM228	SIDE MOUNT SUBPANEL 2200x800

GRID STRAP NETWORK (RAIL SYSTEM)



APPLICATION

Proline G2 Grid Straps can be used to create a mounting or support network within the frame. The Grid Straps are furnished in pairs and available in three designs: full-height vertical, horizontal with mounting brackets, and single-piece horizontal with integrated tabs. Horizontal Grid Straps can be mounted front-to-back between frame verticals (depth-mounted), side-to-side between frame verticals or depth-mounted Grid Straps (width-mounted), or even vertically between Grid Straps. Vertical Grid Straps are used to span the full height of an enclosure.

BULLETIN: P40

Catalog Number	Product Description (mm)
P2G1R6	GRID STRAP 1ROW 600mm
P2G3R6	GRID STRAP 3ROW 600mm
P2G3R7	GRID STRAP 3ROW 700mm
P2G3R8	GRID STRAP 3ROW 800mm
P2G3R9	GRID STRAP 3ROW 900mm

ADJUSTABLE RACK-MOUNTING RAILS



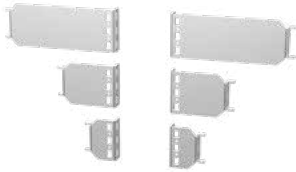
APPLICATION

Proline G2 Adjustable Rack-Mounting Rails allow 19-in. Rack Angles to be positioned anywhere within the modular enclosure frame.

BULLETIN: P40

Catalog Number	Product Description (mm)
P2GARA6	ADJUSTABLE RACK RAILS 600mm
P2GARA8	ADJUSTABLE RACK RAILS 800mm

FRAME REDUCING BRACKETS



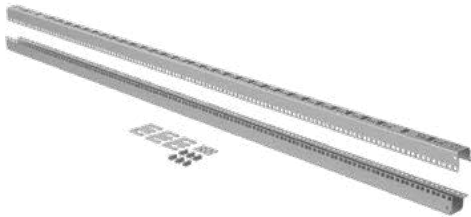
APPLICATION

- Frame-Reducing Brackets are used to reduce wider frames to 600mm, allowing 19-in. rack angles to fit
- Brackets can also be used to left- or right- justify rack-mounted equipment

BULLETIN: P40

Catalog Number	Product Description (mm)
P2AFRB100	FRAME REDUCING BRACKET 100mm

19-INCH RACK ANGLES



APPLICATION

The Proline G2 Rack Angles mount using BV-M6 fasteners instead of the traditional cage nut and screw combination. The Rack Angle height and rack unit count are optimized for the Proline G2 frame heights. Rack Angles have two mounting surfaces that function in the attachment of rack-mount equipment and accessories. Rack Angles comply with ANSI/EIA RS-310-D rack mounting standards.

BULLETIN: P40

Catalog Number	Product Description (mm)
P2RA19S20	PG2 RACK ANG 19 SQ 2000mm
P2RA19T20	PG2 RACK ANG 19 TAPPED 2000mm
P2RA19S22	PG2 RACK ANG 19 SQ 2200mm
P2RA19T22	PG2 RACK AGL 19 TAPPED 2200mm

3

FASTENER PACKAGES



Proline G2 Fastener Packages can be ordered if extra or alternate fasteners are required.

P2ABVM6FP includes (10) BV-M6 fasteners (Blind, Variable M6 screw-based fastener), an innovative alternative to cage nuts or self-tapping screws that can cause stripped holes. The fastener combines a screw and nut in one easy-to-handle package. With the BV-M6 there's no need to access the back of the fastener to tighten, and the thickness of the item being attached need not be predefined. When the BV-M6 is tightened, the embedded nut engages and moves up the screw thread to fasten.

BULLETIN: P40

Catalog Number	Product Description (mm)
P2ABVM6FP	BVM6 PKG QTY 10

PANEL SUPPORT BRACKET



APPLICATION

The panel support bracket can be used in the vertical center sides of the Proline G2 Mounting Subpanel to provide additional subpanel support.



BULLETIN: P40

Catalog Number	Product Description (mm)
P2APSB	PANEL SUPPORT BRACKET

DUST COVER



APPLICATION

The Proline G2 Dust Cover can be used across the top of joined enclosures to provide a finished appearance. The Dust Cover is not required to maintain a Type 12 rating. It is purely for enhanced aesthetics.

BULLETIN: P40

Catalog Number	Product Description (mm)
P2ADC6	DUST COVER 600mm
P2ADC8	DUST COVER 800mm

DOOR STOP KIT



APPLICATION

The Door Stop Kit is used for modular enclosures and holds doors open at 130 degrees.

BULLETIN: P40

Catalog Number	Product Description (mm)
P2ADSK	DOOR STOP KIT

180-DEGREE HINGE KIT



Hinge option for modular enclosure doors to provide up to a 260-degree door opening on single-door enclosures.

BULLETIN: P40

Catalog Number	Product Description (mm)
P2AH180	180 DEGREE HINGE KIT

DOOR SUPPORT ROLLER KIT



The Proline G2 Door Support Roller Kit supports and aligns heavy doors. It is suitable for all solid and window doors.

BULLETIN: P40

Catalog Number	Product Description (mm)
P2ADRK	DOOR ROLLER KIT

STEEL DATA POCKET



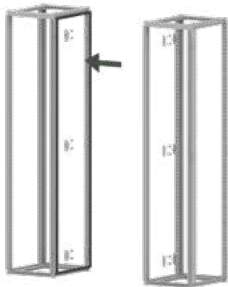
APPLICATION

Provides a convenient place to store wiring diagrams, operation manuals and other documentation inside the enclosure.

BULLETIN: P40

Catalog Number	Product Description (mm)
P2ADPS1	STEEL DATA POCKET

FRAME JOINING KITS



APPLICATION

The Proline G2 Frame Joining Kit joins two modular enclosures while maintaining an environmental seal. This process is also commonly referred to as baying. The kits have been designed for ease of installation, while maintaining the G2 solution strength.

BULLETIN: P40

Catalog Number	Product Description (mm)
P2AJ	JOINING KIT G2 TO G2
P2AJKSB	JOINING KIT SUPPORT BRACKET
P2AJSB	JOINING KIT SEALED PLINTH

3

CABLE ENTRY GLAND PLATE



APPLICATION

Cable Entry Gland Plates can be used instead of the solid gland plates on the Fully Sealed Plinth Base (100mm Solid Base) to provide additional cable management solutions.

BULLETIN: P40

Catalog Number	Product Description (mm)
P2ACEGP	CABLE ENTRY GLAND PLATE

LIFTING EYES



APPLICATION

Lifting Eyes are used for lifting Proline G2 modular frames and for fastening Proline G2 top accessories to the frame.



BULLETIN: P40

Catalog Number	Product Description (mm)
P2ALE	LIFTING EYES QTY 4

LIFTING ANGLES



APPLICATION

Lifting angles fasten into the steel corner blocks of a modular enclosure or joined modular enclosures to facilitate overhead lifting.

BULLETIN: P40

Catalog Number	Product Description (mm)
P2ALASS	SIDE TO SIDE LIFTING ANGLE



CHAPTER 4 HMI (HUMAN -MACHINE INTERFACE)



Concept HMI, Type 4

A traditional landscape-oriented HMI enclosure made of light-gray steel, the Concept HMI is unique among HMI enclosure systems when you need a range of customization options. This pendant- or pedestal-mounted system has many possible configurations for installing HMI components and the ability to accommodate cutouts anywhere on the enclosure.



Syspend 281-Max Suspension System

Variability in system configuration, advanced design and ease of assembly are key requirements when specifying an enclosure suspension system. The Syspend 281-Max features a modern industrial design, excellent ergonomics and multiple component combinations.



CHAPTER CONTENT

HMI ENCLOSURES..... 52



Concept HMI

Concept HMI, Type 4.....	52
Grounding Kit.....	53
Accessory Handle Kit.....	53
Keyboard Tray.....	53

Consolets

Mild Steel Consolets.....	54
---------------------------	----

MOUNTING OPTIONS..... 55

Syspend 180-Max

Syspend 180-Max Suspension System, Type 12.....	55
Tubes.....	55
Narrow Adapter.....	56
Elbow.....	56
Rotatable Elbow.....	57
Flange Coupling.....	57
Flange Elbow Coupling.....	58
Intermediate Joint.....	58
Horizontal Panel Coupling.....	59
Vertical Panel Coupling.....	59
Reduction Elbow.....	60
Rotation Limiter.....	60
Signal Light Adapter.....	61
Set-up Joint.....	61
Rotary Base.....	62
Wall Flange.....	62
Horizontal Wall Joint.....	63
Vertical Wall Joint.....	63

Syspend 281-Max

Syspend 281-Max Suspension System, Type 12.....	64
Tubes.....	64
Tube Adapter.....	65
Tube Hole Plugs.....	65
Rotation Limiters.....	65
Angled Adapter, Stepless 30 Degrees.....	66
Angled Coupling Tilted Forward.....	66
Base Coupling.....	67
Elbow.....	67
Rotatable Elbow.....	68
Flange Coupling.....	68
Flange Elbow Coupling.....	69
Intermediate Joint.....	69
Light Signal Adapter.....	70
Small Pedestal Base.....	70
Large Pedestal Base.....	71
Rotary Base.....	71
Wall Flange.....	72
Vertical Wall Joint.....	72
Horizontal Wall Joint.....	73
Set-Up Joint.....	73

Pedestals

Pedestals.....	74
Pedestal with Legs.....	74
Angle Adapter.....	74
Swivel Tilt.....	75
Swivel.....	75
Handles.....	75

HOFFMAN on Demand

Please visit hoffman.nvent.com for the entire HOFFMAN breadth of 15,000 products.

CONCEPT HMI, TYPE 4



INDUSTRY STANDARDS

UL 508A Listed; Type 4, 12; File Number E61997
 cUL Listed per CSA C22.2 No. 94; Type 4, 12; File No. E61997

NEMA Type 4, 12
 IEC 60529, IP66

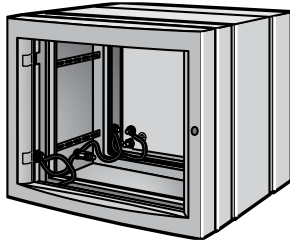
APPLICATION

A traditional landscape-oriented HMI enclosure made of light-gray steel, the Concept HMI is unique among HMI enclosure systems when you need a range of customization options. This pendant- or pedestal-mounted system has many possible configurations and modifications, including a removable front plate that makes it easy to install HMI components and the ability to accommodate cutouts anywhere on the enclosure.

BULLETIN: C2

Catalog Number	Height (in.)	Width (in.)	Depth (in.)	Front Opening Height (in.)	Front Opening Width (in.)
CP253512	10	14	5	8	11
CP304012	12	16	5	10	13
CP323512	13	14	5	11	11
CP354512	14	18	5	12	15
CP354518	14	18	7	12	15
CP374012	15	16	5	13	13
CP405012	16	20	5	14	17
CP405018	16	20	7	14	17
CP424512	17	18	5	15	15
CP424518	17	18	7	15	15
CP455512	18	22	5	16	19
CP455518	18	22	7	16	19
CP475012	19	20	5	17	17
CP475018	19	20	7	17	17
CP486018	19	24	7	17	21
CP525512	20	22	5	19	19
CP525518	20	22	7	19	19
CP556012	22	24	5	20	21
CP556018	22	24	7	20	21

GROUNDING KIT



Kit provides a means of attaching a grounding conductor to an enclosure. Kit consists of two insulated copper wires with all installation hardware and instructions included.

BULLETIN: C2

Catalog Number	Description
CCGK	Grounding Kit



ACCESSORY HANDLE KIT



Install handles on the integral handle extrusions or the bottom of the enclosure. Handle is 13.40-in. long and can be cut down to fit smaller enclosure sizes. Aluminum tube has RAL 9005 black polyester powder paint finish. Plastic ends are RAL 9005 black. Kit includes one pair of handles and all mounting hardware.

BULLETIN: C2

Catalog Number	Description
CHDLK	Accessory Handle Kit

KEYBOARD TRAY

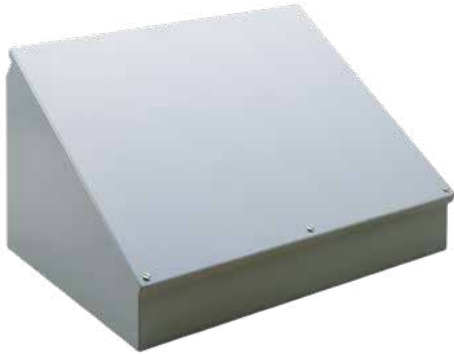


The Keyboard Tray mounts under the enclosure for a keyboard and mouse. All mounting hardware is included. The tray has RAL 7035 light-gray polyester powder paint finish.

BULLETIN: C2

Catalog Number	Description
CKBT	Keyboard Tray

MILD STEEL CONSOLETS



INDUSTRY STANDARDS

UL 508A Listed; Type 12, 13; File No. E61997
 cUL Listed per CSA C22.2 No. 94; Type 12, 13; File No. E61997

NEMA/EEMAC Type 12, 13
 CSA File Number 42186: Type 12
 IEC 60529, IP65

APPLICATION

Consolets are ideal for mounting small control or instrumentation devices where the desirable access requires a 30- or 60-degree surface. These enclosures can be mounted on either of two sides for placement on desktops, pedestals or other flat surfaces.

BULLETIN: C5

Catalog Number	Height (mm)	Width (mm)	Depth (mm)
C8C8	8	7	8
C8C12	8	12	7
C8C16	8	16	7
C12C12	12	12	9
C12C16	12	16	9
C12C20	12	20	9
C12C24	12	24	9
C16C16	16	16	11
C16C20	16	20	11
C16C24	16	24	11
C20C20	20	20	13
C20C24	20	24	13
C20C30	20	30	13

SYSPEND 180-MAX SUSPENSION SYSTEM, TYPE 12



INDUSTRY STANDARDS

Maintains NEMA Type 12 and IEC IP55 enclosure rating when properly installed per HOFFMAN instructions.



APPLICATION

The SYSPEND 180-MAX is a modular enclosure suspension system designed for modern industrial aesthetics, excellent ergonomics and multiple component combinations. The easy-to-install components can be configured in a variety of ways to get the right combination for any application. At 3.3 ft. (1 m) the system supports up to 180 lb. (81.6 kg).

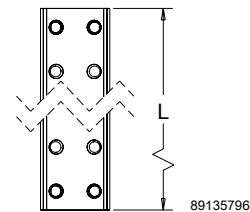
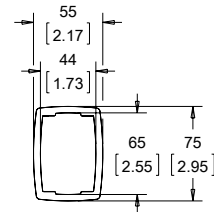
TUBES



Aluminum tubes provide structural integrity and act as conduit for equipment wiring. Tubes attach to system components with 6 setscrews on each end of the tube. Setscrews are provided with system couplings, not the tubes. Setscrews allow for easy adjustment and leveling of the system. Setscrews are provided with thread sealer providing secure connections. Available in 6 standard lengths ranging from 250 mm (9.84) to 1500 mm (59.05). Tubes 750 mm (29.53) and longer include drilling template to assist with drilling and tapping the holes when tube is cut to length.

BULLETIN: CS5

Catalog Number	Color	L (in.)	Weight (lb.)
S1MT250	Anodized	9.84	1.75
S1MT500	Anodized	19.68	3.50
S1MT750	Anodized	29.53	5.25
S1MT1000	Anodized	39.37	7.00
S1MT1250	Anodized	49.21	8.75
S1MT1500	Anodized	59.05	10.50

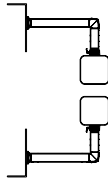


NARROW ADAPTER

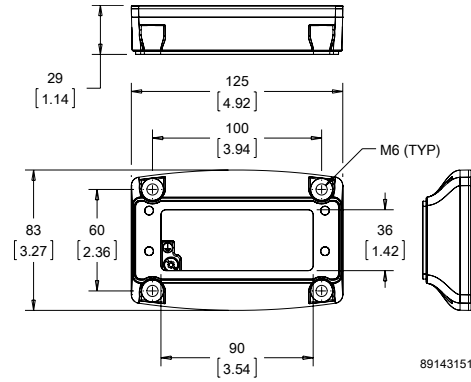


The Narrow Adapter can be attached to the Flange Coupling and Flange Elbow Coupling to create a narrower connection to an enclosure. Specifically designed for use with the Syspend Aluminum HMI Enclosures that have 66mm of usable space. Does not inhibit coupling functionality. Die-cast aluminum construction. Includes installation instructions, gaskets, and mounting hardware.

BULLETIN: CS5



Catalog Number	Color	Weight (lb.)
S1MA	RAL 9005, Black	0.5

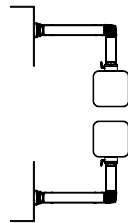


ELBOW

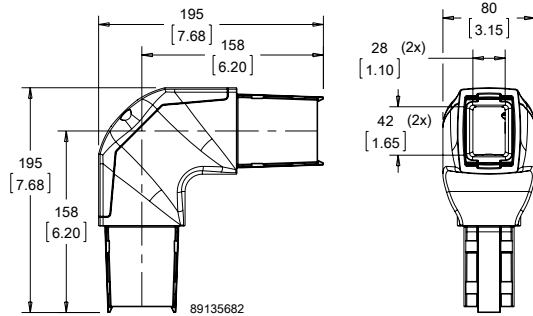


The elbow provides a 90-degree bend in the suspension system. Die-cast aluminum construction. Includes installation instructions, gaskets, and tube setscrews.

BULLETIN: CS5



Catalog Number	Color	Weight (lb.)
S1ME	RAL 9005, Black	2.75

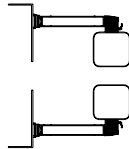


FLANGE ELBOW COUPLING

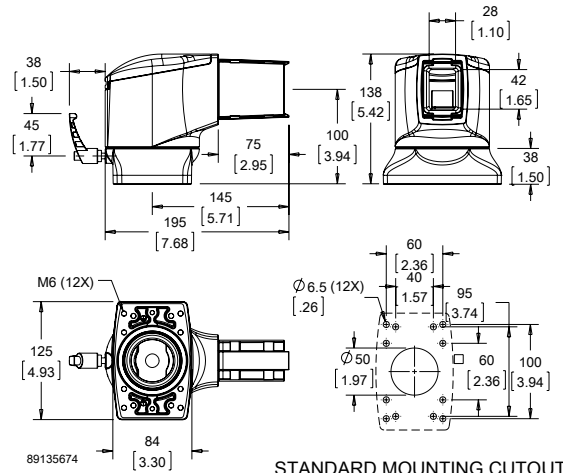


The flange elbow coupling attaches directly to the enclosure for applications where a vertical tube is not required. It enables the enclosure to rotate 300 degrees and can be locked into a given position. The flange elbow coupling has a safety stop and maintenance-free bearings. Die-cast aluminum construction. Includes installation instructions, gaskets, tube setscrews and enclosure mounting hardware.

BULLETIN: CS5



Catalog Number	Color	Weight (lb.)
S1MFEC	RAL 9005, Black	4.50



STANDARD MOUNTING CUTOUT

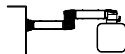
INTERMEDIATE JOINT



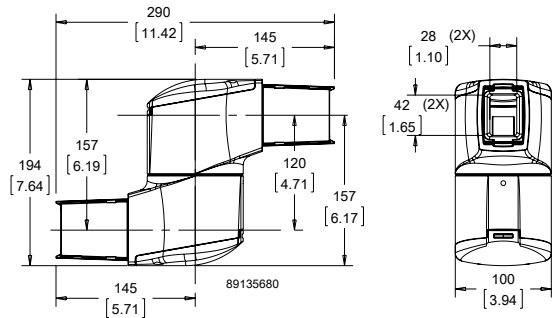
Use an intermediate joint to join two horizontal tubes together for a longer length. The arm can be rotated 300 degrees. Includes safety stop and maintenance-free bearings. Die-cast aluminum construction. Includes installation instructions, gaskets, and tube setscrews.

Use of the intermediate joint reduces the system load rating capacity to 146 lb. (66 kg) at 3.3 ft. (1 m).

BULLETIN: CS5



Catalog Number	Color	Weight (lb.)
S1MIJ	RAL 9005, Black	6.00



HORIZONTAL PANEL COUPLING

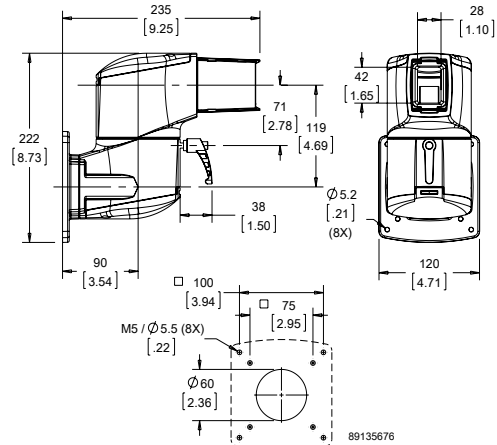


The horizontal panel coupling mounts a horizontal tube to the back of an enclosure or screen using Video Electronics Standards Association (VESA) mounting. The coupling has mounting holes drilled for standard VESA 75 and 100 flange sizes. It enables the enclosure to rotate 300 degrees and can be locked into a given position. The horizontal panel coupling has a safety stop and maintenance-free bearings. Die-cast aluminum construction. Includes installation instructions, gaskets, tube setscrews and enclosure mounting hardware.

BULLETIN: CS5



Catalog Number	Color	Weight (lb.)
S1MPCH	RAL 9005, Black	6.50



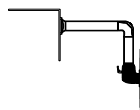
STANDARD MOUNTING CUTOUT

VERTICAL PANEL COUPLING

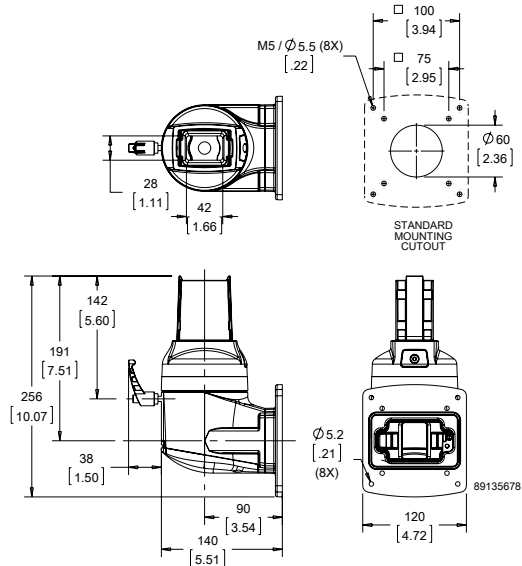


The vertical panel coupling mounts a vertical tube to the back of an enclosure or screen using Video Electronics Standards Association (VESA) mounting. The coupling has mounting holes drilled for standard VESA 75 and 100 flange sizes. It enables the enclosure to rotate 300 degrees and can be locked into a given position. The vertical panel coupling has a safety stop and maintenance-free bearings. Die-cast aluminum construction. Includes installation instructions, gaskets, tube setscrews and enclosure mounting hardware.

BULLETIN: CS5



Catalog Number	Color	Weight (lb.)
S1MPCV	RAL 9005, Black	5.50



STANDARD MOUNTING CUTOUT



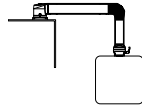
REDUCTION ELBOW



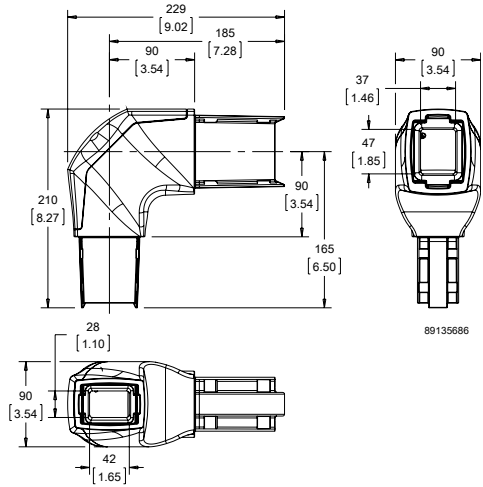
The reduction elbow provides a 90-degree bend in the suspension system between the horizontal tube and base connection of the Syspend 281-Max system and the vertical components of the Syspend 180-Max system. Die-cast aluminum construction. Includes installation instructions, gaskets, and tube setscrews.

Use of the reduction elbow with the Syspend 281-Max base and tube increases the system load rating to 281 lb. (127 kg) at 3.3 ft. (1 m).

BULLETIN: CS5



Catalog Number	Color	Weight (lb.)
S1MRE	RAL 9005, Black	4.00



89135686

ROTATION LIMITER



Rotation limiters are a retrofit option to limit the rotation of couplings and joints which normally rotate 300 degrees. Each block limits rotation 30 degrees. Kit includes six rotation limiting blocks and installation instructions.

BULLETIN: CS5

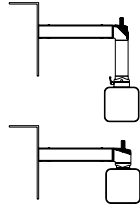
Catalog Number	Qty.
S1MRL	6

SIGNAL LIGHT ADAPTER

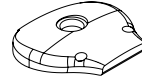


The signal light adapter is round and provides a means for attaching signal lights. Signal lights are not included. Aluminum caps are finished in RAL 9006 white aluminum powder paint. Includes caps, gasket, attachment hardware, and post.

BULLETIN: CS5



Catalog Number	Description	Color	Weight (lb.)
S1MSLAR	Round Cap	RAL 9006, White Aluminum	.53



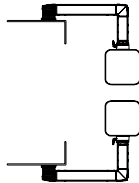
S1MSLAR

SET-UP JOINT

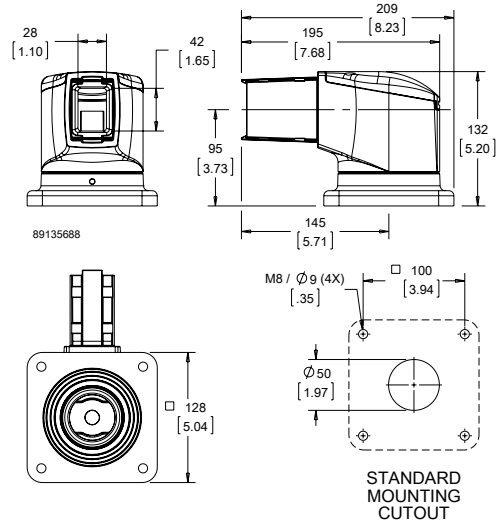


The set-up joint mounts the suspension system to a horizontal surface. The arm can be rotated 300 degrees. Includes a safety stop and maintenance-free bearings. Die-cast aluminum construction. Includes installation instructions, gaskets, and tube setscrews. Surface mounting hardware not provided.

BULLETIN: CS5



Catalog Number	Color	Weight (lb.)
S1MSJ	RAL 9005, Black	4.75

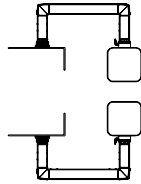


ROTARY BASE

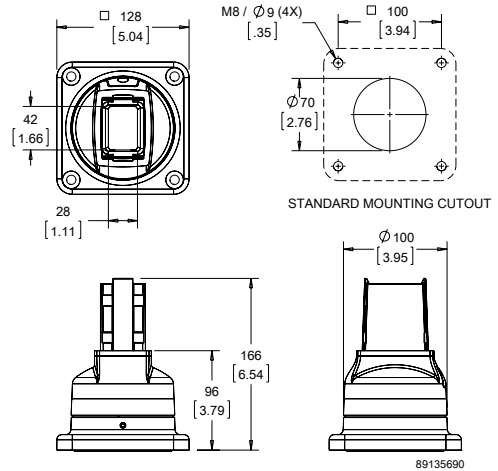


The rotatable base bracket allows the entire suspension system to rotate at the point of attachment on a horizontal surface. The arm can be rotated 300 degrees. Includes a safety stop and maintenance-free bearings. Die-cast aluminum construction. Includes installation instructions, gaskets, and tube setscrews. Surface mounting hardware not provided.

BULLETIN: CS5



Catalog Number	Color	Weight (lb.)
S1MTBB	RAL 9005, Black	3.75

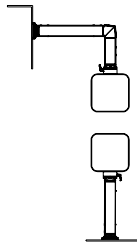


WALL FLANGE

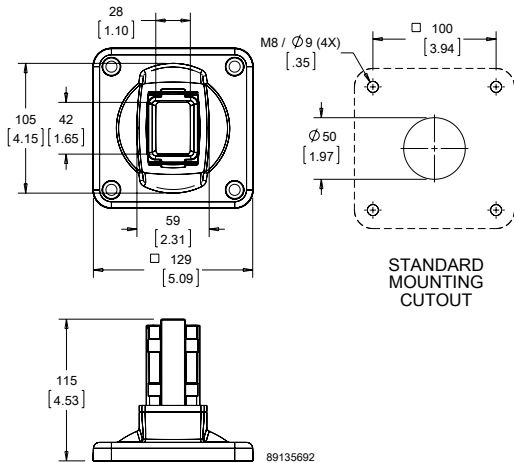


The wall flange allows for fixed positioning on a horizontal or vertical surface when rotation is not needed. Die-cast aluminum construction. Includes installation instructions, gaskets, and tube setscrews. Surface mounting hardware not provided.

BULLETIN: CS5



Catalog Number	Color	Weight (lb.)
S1MWF	RAL 9005, Black	2.00

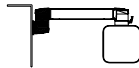


HORIZONTAL WALL JOINT

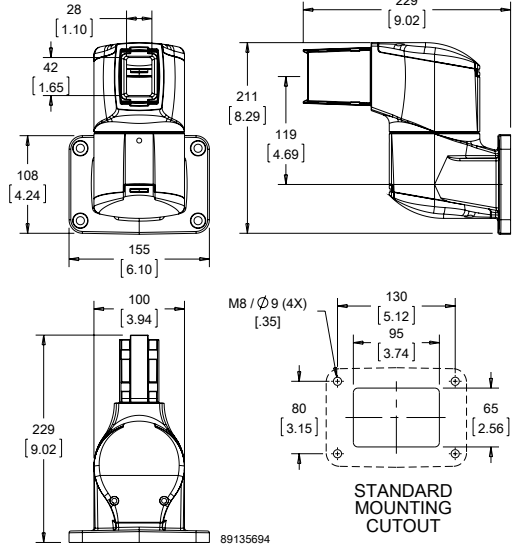


The horizontal wall joint mounts the suspension system to a vertical surface, allowing the tube to extend horizontally. The arm can be rotated 300 degrees. Includes a safety stop and maintenance-free bearings. Die-cast aluminum construction. Includes installation instructions, gaskets, and tube setscrews. Surface mounting hardware not provided.

BULLETIN: CS5



Catalog Number	Color	Weight (lb.)
S1MWJH	RAL 9005, Black	6.50

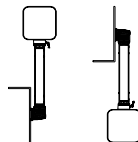


VERTICAL WALL JOINT

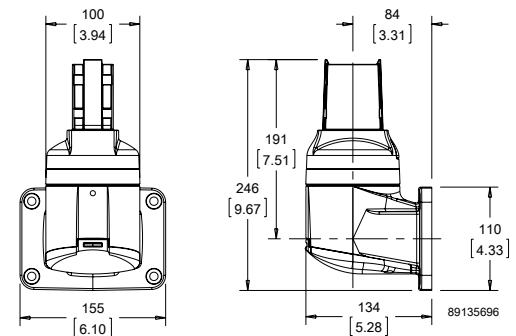
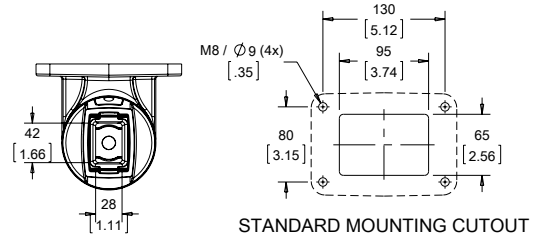


The vertical wall joint mounts the suspension system to a vertical surface, allowing the tube to extend vertically. The arm can be rotated 300 degrees. Includes a safety stop and maintenance-free bearings. Die-cast aluminum construction. Includes installation instructions, gaskets, and tube setscrews. Surface mounting hardware not provided.

BULLETIN: CS5



Catalog Number	Color	Weight (lb.)
S1MWJV	RAL 9005, Black	5.50



SYSPEND 281-MAX SUSPENSION SYSTEM, TYPE 12



INDUSTRY STANDARDS

Maintains NEMA Type 12 and IEC IP55 enclosure rating when properly installed per HOFFMAN instructions.

APPLICATION

Variability in system configuration, advanced design and ease of assembly are key requirements when specifying an enclosure suspension system. The Syspend 281-Max features a modern industrial design, excellent ergonomics and multiple component combinations for an innovative system solution on a modular platform. At 3.3 ft. (1 m) the system supports up to 281 lb. (127.7 kg).

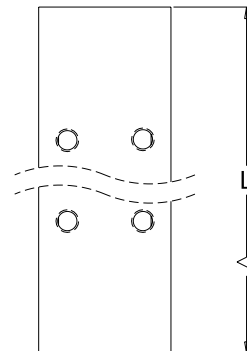
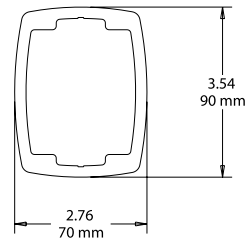
TUBES



Angled aluminum tubes provide structural integrity and act as conduit for equipment wiring. Tubes attach to system components with 6 setscrews on each end of the tube. (Setscrews are provided with the mating system components, not the tubes.) Setscrews allow for easy adjustment and leveling of the system. Setscrews are provided with Loctite to seal threaded holes and provide secure connections. Available in 8 standard lengths ranging from 250 mm to 2000 mm. Tubes 750 mm and longer include drilling template to assist with drilling and tapping the holes when the tube is cut to length.

BULLETIN: CS4

Catalog Number	L (in.)	Weight (lb.)
S2MT250	9.84	2.8
S2MT500	19.68	5.4
S2MT750	29.53	8.2
S2MT1000	39.37	11.0
S2MT1250	49.21	13.7
S2MT1500	59.05	16.5
S2MT1750	68.90	19.3
S2MT2000	78.74	22.0



87955755

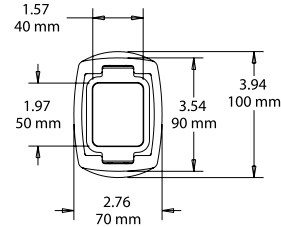
TUBE ADAPTER



Use a Tube Adapter when the tube is cut to length and it is not desirable to drill and tap new holes in the tube. Adapter attaches to the tube with internal setscrews and provides mounting holes at the end where the tube was cut. RAL 9005 black finish. Die-cast aluminum construction. Includes installation instructions, gasket and hardware for attaching to the tube.

BULLETIN: CS4

Catalog Number	Weight (lb.)
S2MTA	1.6



87955759

TUBE HOLE PLUGS



Plastic hole plugs cover up the set screws in the tubes. Kit includes 50 hole plugs. Hole plugs are not needed to maintain the suspension system's NEMA Type 12 rating but provide an attractive smooth finish for the tube. Gray RAL 9006 color.

BULLETIN: CS4

Catalog Number
S2MTHP

ROTATION LIMITERS



Rotation limiters can be retro-fit on coupling and joint components and are adjustable in increments of 13.7 degrees. Limits rotation of couplings and joints which normally rotate 300 degrees. Kit includes ten steel balls, plug and installation instructions.

BULLETIN: CS4

Catalog Number	Weight (lb.)
S2MRL	0.1

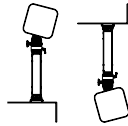


ANGLED ADAPTER, STEPLESS 30 DEGREES

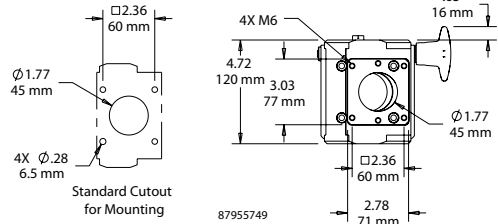
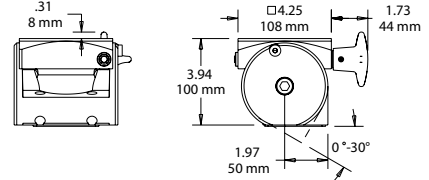
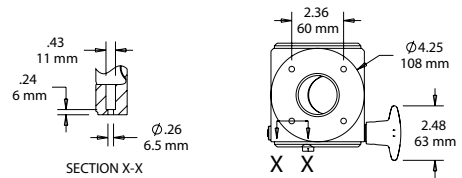


Angled Adapter must be used in conjunction with a coupling (not compatible with S2MFC48). Enclosure angle can be adjusted forward or backward up to 30 degrees. RAL 9005 black finish. Die-cast aluminum construction. Includes installation instructions, gasket and enclosure mounting hardware.
Maximum load bearing capacity is 67 lb. (30.4 kg).

BULLETIN: CS4



Catalog Number	Weight (lb.)
S2MAA	4.1

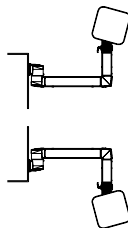


ANGLED COUPLING TILTED FORWARD

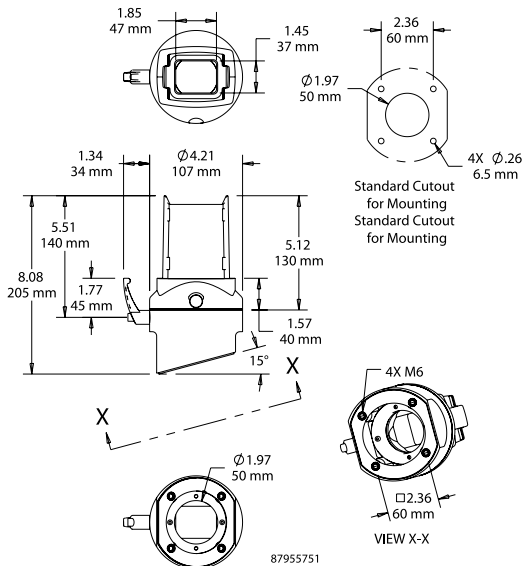


Use Angled Coupling Tilted Forward to mount enclosure at a 15-degree forward angle. Enclosure can be rotated 300 degrees and locked in position. Includes safety stop and maintenance-free bearing. RAL 9005 black finish. Die-cast aluminum construction. Includes installation instructions, gaskets, tube setscrews and enclosure mounting hardware.

BULLETIN: CS4



Catalog Number	Weight (lb.)
S2MACF	3.7



BASE COUPLING

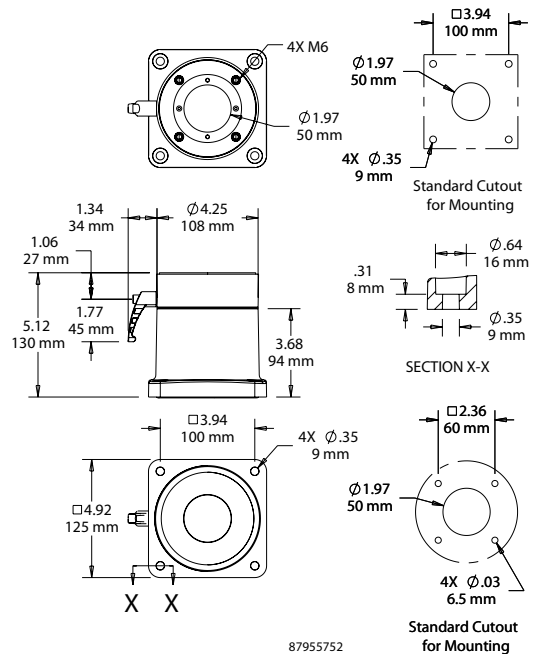


Base Coupling attaches the enclosure directly to a horizontal surface. Enclosure can be rotated 300 degrees and locked in position. Includes safety stop and maintenance-free bearing. RAL 9005 black finish. Die-cast aluminum construction. Includes installation instructions, gaskets and enclosure mounting hardware. Surface mounting hardware not provided.

BULLETIN: CS4



Catalog Number	Weight (lb.)
S2MBC	4.7

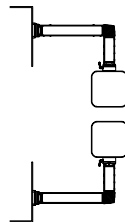


ELBOW

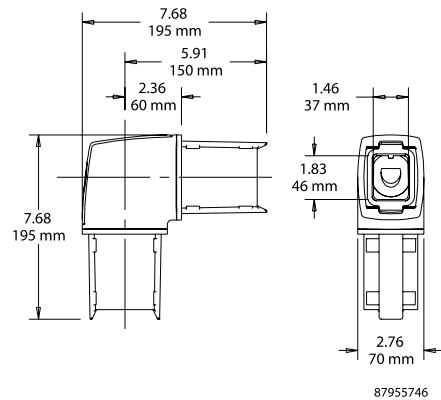


Elbow provides a 90-degree bend in the suspension system. RAL 9005 black finish. Die-cast aluminum construction. Includes removable cable access cover, installation instructions, gaskets and tube setscrews.

BULLETIN: CS4



Catalog Number	Weight (lb.)
S2ME	3.7

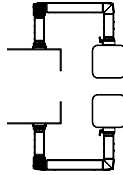


ROTATABLE ELBOW

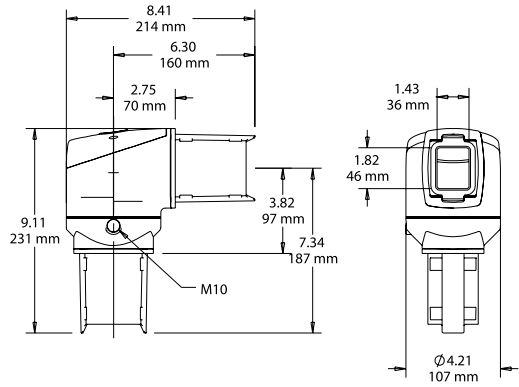


Rotatable elbow provides a 90-degree bend in the suspension system and allows the vertical tube to rotate 300 degrees. Includes safety stop and maintenance-free bearing. RAL 9005 black finish. Die-cast aluminum construction. Includes removable cable access cover, installation instructions, gaskets and tube setscrews.

BULLETIN: CS4



Catalog Number	Weight (lb.)
S2MER	5.4



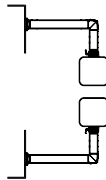
87955747

FLANGE COUPLING

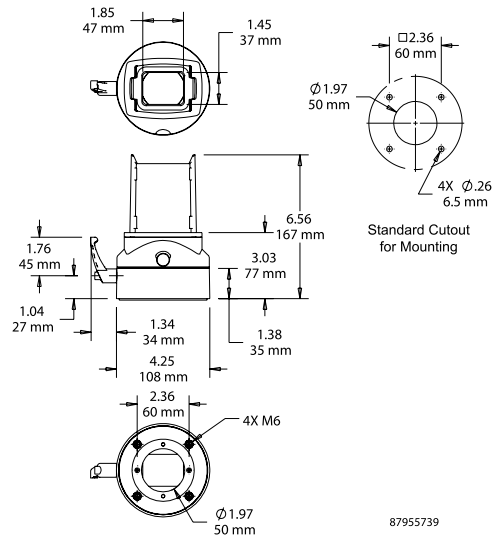


Flange Coupling attaches a tube to the enclosure, enabling 300-degree enclosure rotation. Enclosure can be locked in position. Flange Coupling has safety stop and maintenance-free bearing. RAL 9005 black finish. Die-cast aluminum construction. Includes installation instructions, gaskets, tube setscrews and enclosure mounting hardware.

BULLETIN: CS4



Catalog Number	Weight (lb.)
S2MFC	3.2



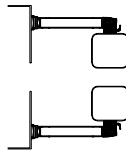
87955739

FLANGE ELBOW COUPLING

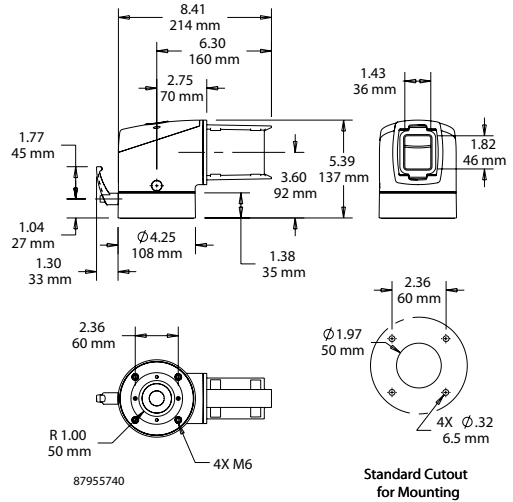


Flange Elbow Coupling attaches directly to the enclosure for applications where a vertical tube is not required. Enables enclosure to be rotated 300 degrees and locked in position. Includes safety stop and maintenance-free bearing. RAL 9005 black finish. Die-cast aluminum construction. Includes cable access cover, installation instructions, gaskets, tube setscrews and enclosure mounting hardware.

BULLETIN: CS4



Catalog Number	Weight (lb.)
S2MFEC	4.6



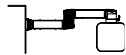
INTERMEDIATE JOINT



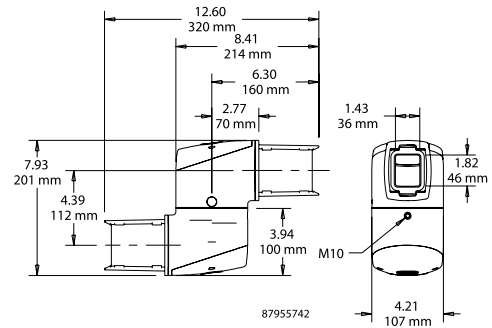
Use Intermediate Joint to join two horizontal tubes together for a longer run. Arm can be rotated or turned 300 degrees. Includes safety stop and maintenance-free bearing. RAL 9005 black finish. Die-cast aluminum construction. Includes two removable cable access covers, installation instructions, gaskets and tube setscrews.

Use of the Intermediate Joint reduces the system load capacity to 179 lb. (81.2 kg) at 3.3 ft. (1 m).

BULLETIN: CS4



Catalog Number	Weight (lb.)
S2MIJ	6.5

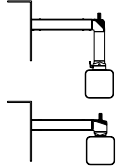


LIGHT SIGNAL ADAPTER

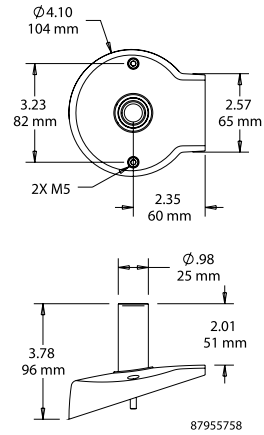


Light Signal Adapter is round and provides a means for attaching signal lights. Signal lights are not included. Gray composite cover caps include a gasket, attachment hardware and post and replace the caps provided with other system components.

BULLETIN: CS4



Catalog Number	Description	Weight (lb.)
S2MLSAR	Round Cover	0.3



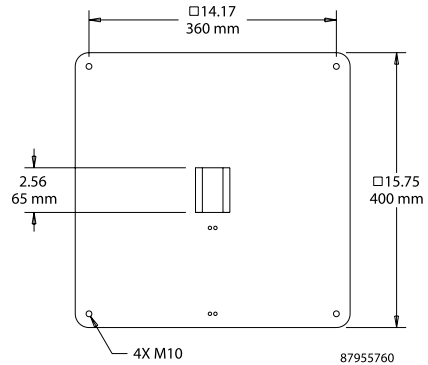
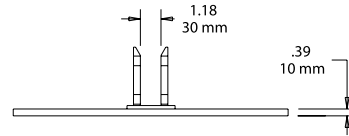
SMALL PEDESTAL BASE



Tubes attach directly to Small Pedestal Base. RAL 9005 black finish. Constructed from 3/8-in. thick steel plate. Includes installation instructions, cable ties and tube setscrews. Surface mounting hardware not provided. Compatible with accessory casters and levelers. *Supports loads per Load Rating Graph.*

BULLETIN: CS4

Catalog Number	Weight (lb.)
S2MPBS	29.1



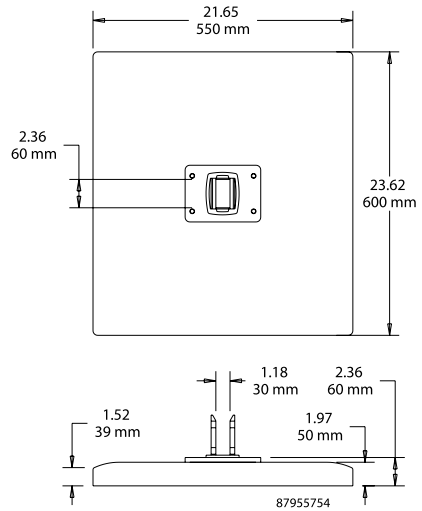
LARGE PEDESTAL BASE



Tubes attach directly to Large Pedestal Base. RAL 9005 black finish. Cast aluminum construction. Includes installation instructions and tube setscrews. Surface mounting hardware not provided. Compatible with accessory casters, levelers and bolt-down kit. **Supports loads per Load Rating Graph.**

BULLETIN: CS4

Catalog Number	Weight (lb.)
S2MPBL	25.7



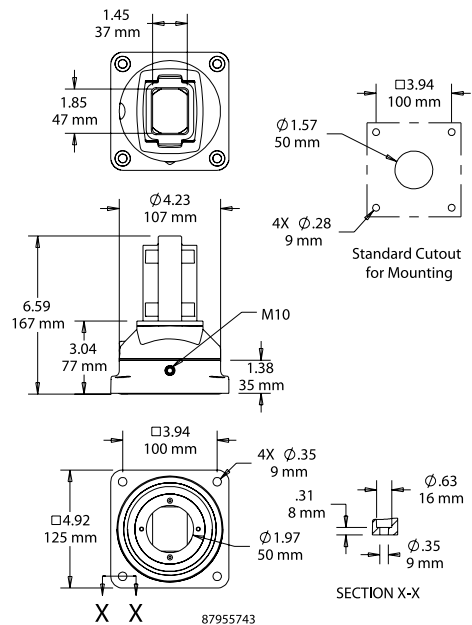
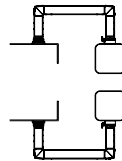
ROTARY BASE



Rotary Base allows the entire suspension system to rotate at the point of attachment on a horizontal surface. Arm can be rotated or turned 300 degrees. Includes safety stop and maintenance-free bearing. RAL 9005 black finish. Die-cast aluminum construction. Includes installation instructions, gaskets and tube setscrews. Surface mounting hardware not provided.

BULLETIN: CS4

Catalog Number	Weight (lb.)
S2MRB	3.9

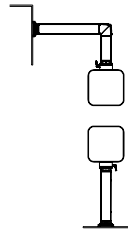


WALL FLANGE

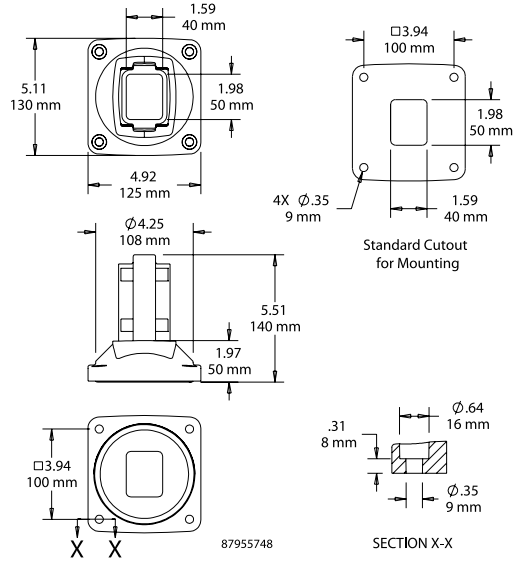


Wall Flange allows for fixed positioning on a horizontal or vertical surface when rotation is not needed. RAL 9005 black finish. Die-cast aluminum construction. Includes installation instructions, gaskets and tube setscrews. Surface mounting hardware not provided.

BULLETIN: CS4



Catalog Number	Weight (lb.)
S2MWF	2.8

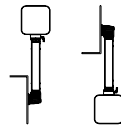


VERTICAL WALL JOINT

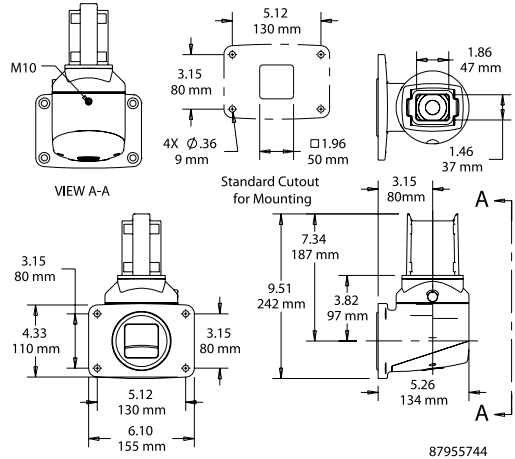


Vertical Wall Joint mounts suspension system to vertical surface and allows tube to extend vertically. Enables arm to be rotated or turned 300 degrees. Includes safety stop and maintenance-free bearing. RAL 9005 black finish. Die-cast aluminum construction. Includes removable cable access cover, installation instructions, gaskets and tube setscrews. Surface mounting hardware not provided.

BULLETIN: CS4



Catalog Number	Weight (lb.)
S2MWJV	5.4

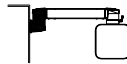


HORIZONTAL WALL JOINT

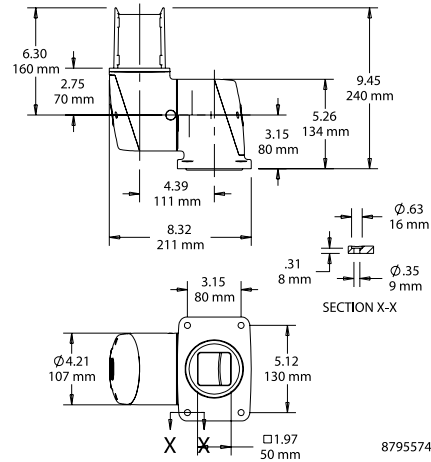
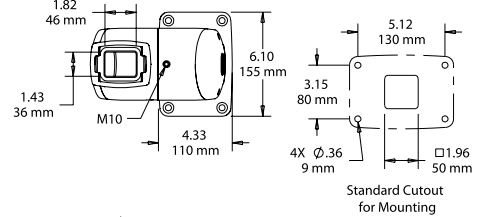


Horizontal Wall Joint mounts suspension system to vertical surface, allowing tube to extend horizontally. Arm can be rotated or turned 300 degrees. Includes safety stop and maintenance-free bearing. RAL 9005 black finish. Die-cast aluminum construction. Includes two removable cable access covers, installation instructions, gaskets and tube setscrews. Surface mounting hardware not provided.

BULLETIN: CS4



Catalog Number	Weight (lb.)
S2MWJH	6.4

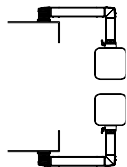


SET-UP JOINT

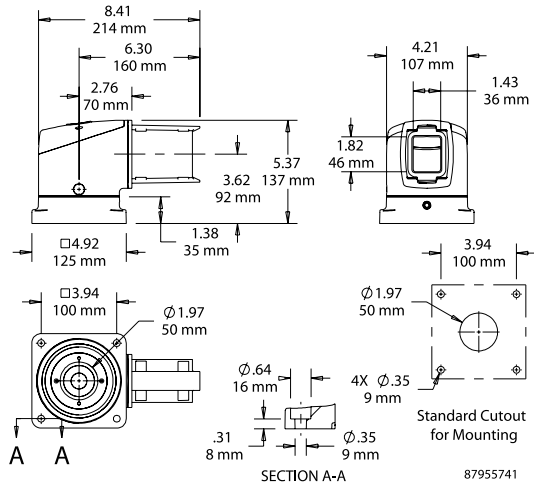


Set-Up Joint mounts suspension system to a horizontal surface. Arm can be rotated or turned 300 degrees. Includes safety stop and maintenance-free bearing. RAL 9005 black finish. Die-cast aluminum construction. Includes removable cable access cover, installation instructions, gaskets and tube setscrews. Surface mounting hardware not provided.

BULLETIN: CS4



Catalog Number	Weight (lb.)
S2MSJ	5.0



PEDESTALS



Pedestals enable many types of enclosures and boxes to be floor mounted. Columns can be mounted on either base, through the vertical column or directly to the enclosure. A cutout must be made in the enclosure if the wires are to come through the column.

Columns have flanges at each end and a gasketed access plate. Screws, oil-resistant gaskets and box connector fitting are furnished with each column for joining an enclosure to the top of the column. Columns are 14 gauge steel with 10 gauge flanges. 18.00 x 18.00-in. (457 x 457-mm) base is .19-in. (5-mm) steel and 24.00 x 24.00-in. (610 x 610-mm) base is .25-in. (6-mm) steel. Both bases have leveling screws and holes for bolting to the floor. Finish on bases and columns is ANSI 61 gray polyester powder coating over pretreated surfaces. Bases and columns must be ordered separately.

The user would normally remove the mounting brackets from the enclosure if the enclosure is mounted on a pedestal. HOFFMAN can supply enclosures without mounting brackets and with cutouts. Consult HOFFMAN for more information.

BULLETIN: P1

Catalog Number	Height (in.)	Width (in.)	Depth (in.)	Description
A44CCOL	35.00	4.00	4.00	Straight Pedestal Column
A44PBCOL	41.00	4.00	4.00	Angled Pedestal Column
A66CCOL	35.00	6.00	6.00	Straight Pedestal Column
A18SBASE	18.00	18.00	--	Pedestal Base
A24SBASE	24.00	24.00	--	Pedestal Base

PEDESTAL WITH LEGS



Pedestal is available in two heights. Vertical tube has rigid one-piece construction. Bottom of tube is open. Four sturdy, die-cast legs bolt to vertical tube. Legs have holes for bolting pedestal to the floor. Legs will accept casters in limited applications. Heavy-duty black polymer caps fit on ends of legs to cover bolts or levelers. Pedestal has ANSI 61 medium-gray or RAL 7035 textured light-gray polyester powder paint finish. Tapped mounting holes in the top of pedestal allow attachment to HMI base with cutout, swivel, swivel tilt or angle adapter. Hardware and gasket to attach enclosure are included.

BULLETIN: P1

Catalog Number	Height (in.)	Width (in.)	Depth (in.)
AP36L44	36.00	4.00	4.00
AP36L88	36.00	8.00	8.00

4

ANGLE ADAPTER

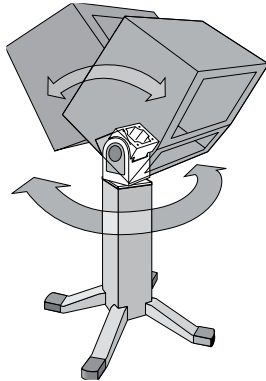


Angle Adapter fits top of pedestal and provides a fixed tilt of 15 degrees from horizontal for enclosure mounting. Angle Adapter is aluminum with large cable opening and has clear anodized aluminum finish. Mounting hardware is included.

BULLETIN: P1

Catalog Number	Fits
AAA1544	4 x 4 pedestal

SWIVEL TILT



The use of a combination swivel and tilt mechanism allows a machine operator to rotate and also tilt an HMI enclosure for optimum viewing and safe operation. The Swivel Tilt is designed for use between the bottom of an HMI enclosure and a pedestal (enclosure reinforcement may be required). **Do not use the Swivel Tilt between an overhead support and an enclosure.**

The swivel feature allows maximum rotation of 350 degrees. Integral stops are provided at 30-degree increments between 60 degrees and 180 degrees of rotation. Swivel can be locked in any position. Tilt feature allows forward and backward movement up to 30 degrees from horizontal. Tilt lock has a large release knob that allows quick incremental adjustment. Top and bottom flanges allow easy installation on pedestals. A large center opening accommodates control cables that have attached plugs. Swivel Tilt is cast aluminum with an anodized finish. Mounting hardware and gaskets are furnished.



BULLETIN: P1

Catalog Number	Height (in.)	Width (in.)	Depth (in.)	Maximum Load Including Enclosure (lb.)
AST44	5.81	4.00	4.00	75
AST88	8.00	8.00	8.00	150

The loads listed assume that the additional load is centered on the front or back of the enclosure. Please contact HOFFMAN for specific application information.

SWIVEL



A swivel mechanism can be used to provide a machine operator a way to easily rotate an operator interface enclosure to a convenient operating position. Maximum rotation is 350 degrees. The low-profile swivel has a large center opening in addition to a large, wobble-free bearing surface. Swivel mechanism can be locked in any position. The swivel mechanism is designed for use between the bottom of an operator interface enclosure and a pedestal.

Do not use the Swivel between an overhead support and an enclosure.

The Swivel is cast aluminum with an anodized finish. Mounting hardware and gaskets are furnished. Integral stops are provided at 30-degree increments between 60 degrees and 180 degrees of rotation on catalog number ASWV88 only.

BULLETIN: P1

Catalog Number	Height (in.)	Width (in.)	Depth (in.)	Maximum Load Including Enclosure (lb.)
ASWV44	1.06	4.00	4.00	100
ASWV88	1.28	8.00	8.00	200

The loads listed assume that the additional load is centered on the front or back of the enclosure. Please contact HOFFMAN for specific application information.

HANDLES



Handles attach to sides, top or bottom of sloped front to provide maximum operator control when using the suspension system, swivel or swivel tilt. Location dimples on the sides of sloped fronts indicate drill-hole location for standard mounting. Handles attach inside enclosure.

BULLETIN: P1

Catalog Number	Description
PUHKA	(2) tubular steel handles with soft coating (9.75 in./248 mm)



CHAPTER 5 COMMERCIAL ENCLOSURES



Screw-Cover, Type 1

Use this enclosure in commercial and general industrial applications that require a junction or pull box. For flush installations, order flush covers and door frames separately.



CHAPTER CONTENT

TYPE 1 BOXES AND ENCLOSURES 78



Hinged-Cover Type 1 Boxes

Hinged-Cover with Knockouts, Type 1	78
Medium Hinged-Cover, Type 1	78

Screw-Cover Type 1 Pull Boxes

Screw-Cover, Type 1	79
---------------------------	----

TYPE 3, 3R BOXES AND ENCLOSURES 80

Screw and Hinge Cover Type 3, 3R Enclosures

Screw-Cover, Gasketed, Type 3	80
Small Drip-Shield Hinged-Cover, Type 3R	80
Screw-Cover Drip-Shield, Type 3R	81

HOFFMAN on Demand

Please visit hoffman.nvent.com for the entire HOFFMAN breadth of 15,000 products.

HINGED-COVER WITH KNOCKOUTS, TYPE 1



5

INDUSTRY STANDARDS

UL 50, 50E Listed; Type 1; File No. E27567
 cUL Listed per CSA C22.2 No 40; Type 1; File No. E27567

NEMA/EEMAC Type 1
 CSA, File 42184: Type 1
 IEC 60529, IP30

APPLICATION

These boxes feature a recessed, slotted flush latch for security as well as knockouts on all four sides, making them suitable for a wide variety of applications.

BULLETIN: A90HC

Catalog Number	Height (in.)	Width (in.)	Depth (in.)
AHE12X12X4	12	12	4

MEDIUM HINGED-COVER, TYPE 1



INDUSTRY STANDARDS

UL 50, 50E Listed; Type 1; File No. E27567
 cUL Listed per CSA C22.2 No 40; Type 1; File No. E27567

NEMA/EEMAC Type 1
 CSA, File 42184: Type 1
 IEC 60529, IP30

APPLICATION

These enclosures have a size range of 16 x 12 x 6-in. to 36 x 30 x 12-in. and meet basic functionality requirements for applications that do not require oil- or dust-tight enclosures.

BULLETIN: A1M

Catalog Number	Height (in.)	Width (in.)	Depth (in.)
A20N16ALP	20	16	6

SCREW-COVER, TYPE 1



INDUSTRY STANDARDS

UL 50, 50E Listed; Type 1; File No. E27525
 cUL Listed per CSA C22.2 No 40; Type 1; File No. E27525

NEMA/EEMAC Type 1
 IEC 60529, IP30

APPLICATION

Use this enclosure in commercial and general industrial applications that require a junction or pull box. For flush installations, order flush covers and door frames separately.

BULLETIN: A90P1

Painted

Catalog Number	Height (in.)	Width (in.)	Depth (in.)
ASE6X6X4	6	6	4
ASE6X6X4NK	6	6	4
ASE6X6X6NK	6	6	6
ASE8X8X4	8	8	4
ASE8X8X4NK	8	8	4
ASE8X8X6	8	8	6
ASE8X8X6NK	8	8	6
ASE10X10X4	10	10	4
ASE10X10X4NK	10	10	4
ASE10X10X6NK	10	10	6
ASE12X12X4	12	12	4
ASE12X12X4NK	12	12	4
ASE12X12X6	12	12	6
ASE12X12X6NK	12	12	6
ASE12X12X8NK	12	12	8
ASE16X16X6NK	16	16	6
ASE18X18X4NK	18	18	4
ASE18X18X6NK	18	18	6
ASE18X18X8NK	18	18	8
ASE24X24X6NK	24	24	6
ASE24X24X8NK	24	24	8

Catalog numbers ending in "NK" have no knockouts.

Galvanized

Catalog Number	Height (in.)	Width (in.)	Depth (in.)
ASG6X6X4	6	6	4
ASG6X6X4NK	6	6	4
ASG6X6X6NK	6	6	6
ASG8X8X4	8	8	4
ASG8X8X4NK	8	8	4
ASG8X8X6NK	8	8	6
ASG10X10X4NK	10	10	4
ASG12X12X4NK	12	12	4
ASG12X12X6NK	12	12	6
ASG16X16X6NK	16	16	6
ASG18X18X6NK	18	18	6
ASG24X24X6NK	24	24	6

Catalog numbers ending in "NK" have no knockouts.



SCREW-COVER, GASKETED, TYPE 3



5



INDUSTRY STANDARDS

UL 508A Listed; Type 3, 12; File No. E61997
 cUL Listed per CSA C22.2 No 94; Type 3, 12; File No. E619977

NEMA/EEMAC Type 3 and 12 (except for mounting provisions)
 CSA, File 42184: Type 4 and 12
 IEC 60529, IP66

APPLICATION

Use this enclosure as a wiring, junction, pull or terminal box in applications subject to windblown dust and/or rain.

BULLETIN: A90GS

Catalog Number	Height (in.)	Width (in.)	Depth (in.)
A664GSC	6	6	4

SMALL DRIP-SHIELD HINGED-COVER, TYPE 3R



INDUSTRY STANDARDS

UL 50, 50E Listed; Type 3R; File No. E27567
 cUL Listed per CSA C22.2 No 94; Type 3R File No. E27567

NEMA/EEMAC Type 3R
 IEC 60529, IP32

APPLICATION

These enclosures have a size range of 6 x 4 x 4-in. to 12 x 12 x 10-in. and meet basic functionality requirements for applications that require protection from rain, sleet, snow or dripping water.

BULLETIN: A3SM

Catalog Number	Height (in.)	Width (in.)	Depth (in.)
A12R126HCR	12	12	6

SCREW-COVER DRIP-SHIELD, TYPE 3R



Catalog Number	Height (in.)	Width (in.)	Depth (in.)
A6R64	6	6	4
A6R64NK	6	6	4
A8R84	8	8	4
A8R84NK	8	8	4
A8R86	8	8	6
A8R86NK	8	8	6
A10R104	10	10	4
A12N124	12	12	4
A12N126	12	12	6
A12R124	12	12	4
A12R124NK	12	12	4
A12R126	12	12	6
A12R126NK	12	12	6
A18R186	18	18	6

Catalog numbers ending in "NK" have no knockouts.

INDUSTRY STANDARDS

UL 50, 50E Listed; Type 3R; File No. E27525
 cUL Listed per CSA C22.2 No 94; Type 3R; File No. E27525

NEMA/EEMAC Type 3R
 IEC 60529, IP32

APPLICATION

Use this enclosure with or without knockouts in outdoor applications as a wiring or junction box.

BULLETIN: A90S3





CHAPTER 6 CABLE MANAGEMENT



Lay-In Wireway, NEMA Type 12

Used primarily in industrial applications to protect wiring against exposure to oil and other contaminants. This gasketed wireway features quick-release latches for easy access and an opening on one side so wires and cables can be laid in along the entire run without pulling.



CHAPTER CONTENT

WIRE AND CABLE MANAGEMENT 84



Lay-In NEMA Type 12

Lay-In Wireway, NEMA Type 12	84
Straight Section	84
Telescope Fitting, Lay-In	84
90-Degree Elbows	85
Closure Plate	85
Bracket Hanger	85
Box Connector	86
Barrier Kit, Bolt-On	86
Barrier Kits, Bracket-Mounted	86
90-Degree Angle Sealing Plate	87
Quick-Release Flat Sealing Plate	87
Gasket and Screws	87

Lay-In NEMA Type 1 Painted Hinged-Cover Wireway

Lay-In Wireway, NEMA Type 1	88
Straight Section, Non-Hinged	88
Sweep Tee	89
45-Degree Elbow	89
90-Degree Elbow	89
90-Degree Elbow - Outside Opening	90
90-Degree Elbow - Inside Opening	90
Closure Plate	90
Panel Adapter	91
Universal U-Connector	91
Sealing Plate, 90-Degree Angle, Lay-in Hinged-Cover	91
Drop and Bracket Hangers	92
Reducer	92
Support Hanger	92
Gasket and Screws, Feed-Through	92

Lay-In NEMA Type 1 Galvanized Flat-cover Wireway

Straight Section, Painted	93
Straight Section, Galvanized	93
90-Degree Elbow, Galvanized	94
Closure Plate, Galvanized	94
Universal U-Connector, Galvanized	94

Wiring Trough, Type 3R

Wiring Trough, Screw-Cover NEMA Type 3R	95
---	----



HOFFMAN on Demand

Please visit hoffman.nvent.com for the entire HOFFMAN breadth of 15,000 products.

LAY-IN WIREWAY, NEMA TYPE 12



INDUSTRY STANDARDS

UL 870 Listed; File No. E27524

NEMA/EEMAC Type 12
 JIC standards EGP-1-1967 and EMP-1-1967
 CSA, File No. 42184, Type 1
 IEC 60529, IP54

APPLICATION

Used primarily in industrial applications to protect wiring against exposure to oil and other contaminants. This gasketed wireway features quick-release latches for easy access and an opening on one side so wires and cables can be laid in along the entire run without pulling.

BULLETIN: F10

STRAIGHT SECTION

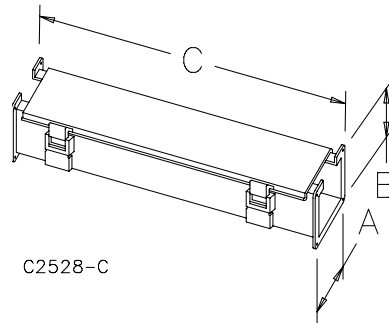
Available in lengths from 6.00 in. to 60.00 in.

BULLETIN: F10

6

Catalog Number	A x B x C (in.)
F44L06	4.00 x 4.00 x 6.00
F44L12	4.00 x 4.00 x 12.00
F44L24	4.00 x 4.00 x 24.00
F44L36	4.00 x 4.00 x 36.00
F44L48	4.00 x 4.00 x 48.00
F44L60	4.00 x 4.00 x 60.00

Each sealing plate also includes one gasket and one set of screws to join sections.



TELESCOPE FITTING, LAY-IN

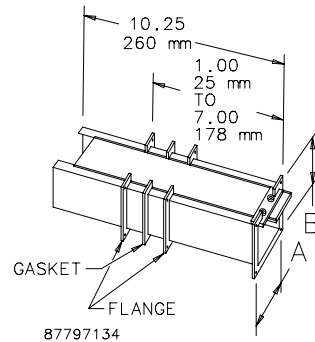


Length is easily adjustable from 1.00 in. to 7.00 in. No cutting or welding required.

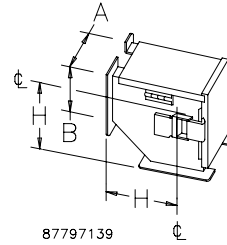
BULLETIN: F10

Catalog Number	A x B (in.)
F44LA	4.00 x 4.00

Each sealing plate also includes one gasket and one set of screws to join sections.



90-DEGREE ELBOWS



Lay-in wireway preserve the lay-in feature for right-angle installations.

BULLETIN: F10

Outside Opening

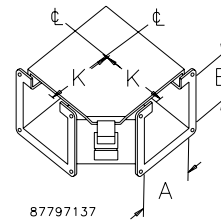
Catalog Number	A x B (in.)	H (in.)
F44LE9C	4.00 x 4.00	5.00

Each sealing plate also includes one gasket and one set of screws to join sections.

Top Opening

Catalog Number	A x B (in.)	K (in.)
F44LE9A	4.00 x 4.00	5.00

Each sealing plate also includes one gasket and one set of screws to join sections.



CLOSURE PLATE

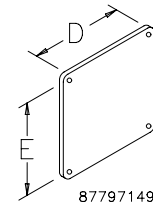


Used to seal the end of a wireway section or run.

BULLETIN: F10

Catalog Number	D (in.)	E (in.)
F44LP	5.38	5.38

Each sealing plate also includes one gasket and one set of screws to join sections.



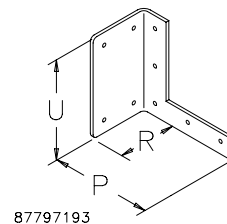
BRACKET HANGER



Hangers are used to support a wireway run. The bracket hanger can be used for wall, floor or ceiling installations.

BULLETIN: F20

Catalog Number	P (in.)	R (in.)	U (in.)
F44HB	6.12	3.62	5.88



BOX CONNECTOR

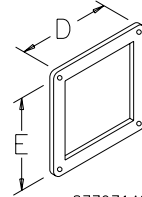


When wireway enters an enclosure, a box connector should be used on the inside of the enclosure to ensure a tight seal.

BULLETIN: F10

Catalog Number	D (in.)	E (in.)
F44LB	5.38	5.38

Each sealing plate also includes one gasket and one set of screws to join sections.



87797148

BARRIER KIT, BOLT-ON

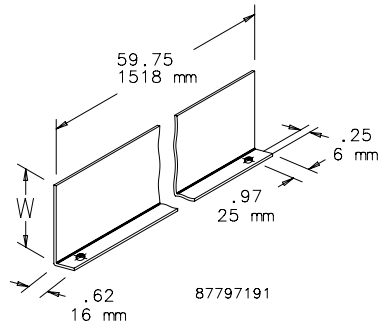
6



Divides wireway into two or more compartments. Barriers are fastened to wireway sections with screws. Sealing washers are included.

BULLETIN: F20

Catalog Number	W (in.)
F44BK60	3.00



87797191

BARRIER KITS, BRACKET-MOUNTED

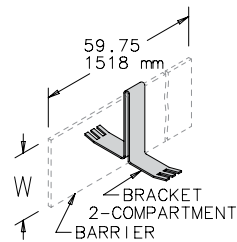


Spring steel brackets hold barriers in place by friction fit inside wireway. Order barrier and bracket separately. Recommended spacing in increments of 3 ft.

BULLETIN: F10

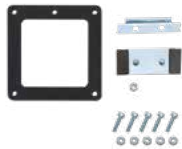
Catalog Number	W (in.)
F44BB2C	3.00

Package consists of five brackets.



87797154

90-DEGREE ANGLE SEALING PLATE

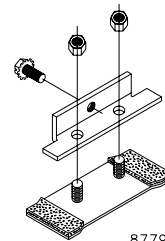


Hanger is used to support a wireway run. Plate includes a flange gasket and flange screws, not shown in drawing.

BULLETIN: F10

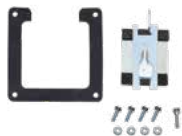
Catalog Number	Fits Height (in.)	Fits Width (in.)
F44LSAG	4.00	4.00

Each sealing plate also includes one gasket and one set of screws to join sections.



87797158

QUICK-RELEASE FLAT SEALING PLATE

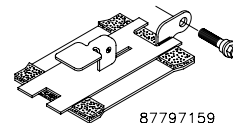


This exclusive HOFFMAN-designed hinged sealing plate permits quick and easy access to the wireway interior without using a tool.

BULLETIN: F10

Catalog Number	A x B (in.)
F44LSGQR	4.00 x 4.00

Each sealing plate also includes one gasket and one set of screws to join sections.



87797159

GASKET AND SCREWS

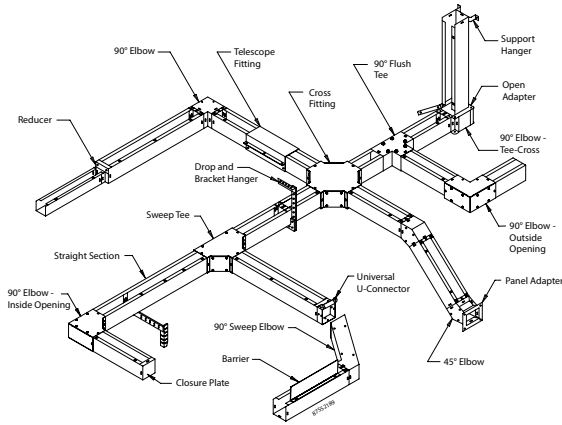


Standard packages of wireway contain one gasket and one set of screws to join sections, except Cross Fittings which contain three of each, Tee Fittings which contain two of each and Telescope Fittings which contain none. Additional gasket and screw sets may be ordered by catalog number.

BULLETIN: F20

Catalog Number
F44WG

LAY-IN WIREWAY, NEMA TYPE 1



INDUSTRY STANDARDS

UL 870 Listed; File No. E27524
 cUL Listed per CSA C22.2 No. 26; File No. E27524

NEMA/EEMAC Type 1
 IEC 60529 IP30

APPLICATION

This wireway provides convenient cable installation and maintenance with its top hinged cover and an opening on one side so wires and cables can be laid in along the entire run without pulling. A variety of lengths and fittings provide increased design flexibility

BULLETIN: F40 F40PC



STRAIGHT SECTION, NON-HINGED

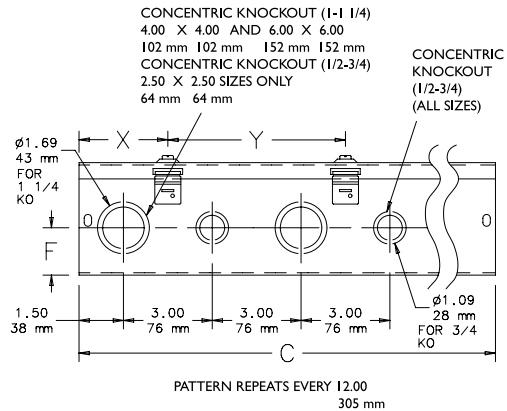


Available in lengths from 12.00 in. (305 mm), with or without knockouts.

BULLETIN: F40, F40PF

Catalog Number	A x B x C (in.)
F44G24	4.00 x 4.00 x 24.00
F44G36	4.00 x 4.00 x 36.00
F44G48	4.00 x 4.00 x 48.00
F66G24	6.00 x 6.00 x 24.00
F66G36	6.00 x 6.00 x 36.00
F66G48	6.00 x 6.00 x 48.00
F66G60	6.00 x 6.00 x 60.00
F66G72	6.00 x 6.00 x 72.00
F88G24	8.00 x 8.00 x 24.00
F88G36	8.00 x 8.00 x 36.00
F88G48	8.00 x 8.00 x 48.00
F1212G36	12.00 x 12.00 x 36.00
F1212G48	12.00 x 12.00 x 48.00

Catalog numbers without "H" are not hinged.



Patented hidden hinge permits usual plated steel screw cover arrangement to be converted to hinge cover system on all sizes except 12.00 in x 12.00 in. (305mm x 305mm).

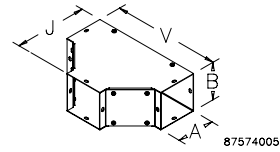
SWEEP TEE



Available in lengths from 12.00 (305 mm) to 120.00 (3048 mm), with or without knockouts.

BULLETIN: F40PF

Catalog Number	A x B (in.)	J (in.)	V (in.)
F44T	4.00 x 4.00	8.00	11.85



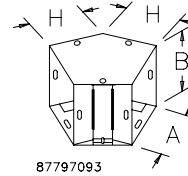
45-DEGREE ELBOW



For continuous run with 45-degree turns. Top and inside covers removable.

BULLETIN: F40PF

Catalog Number	A x B (in.)	H (in.)
F22G45E	2.00 x 2.00	2.75
F88G45E	8.00 x 8.00	5.06



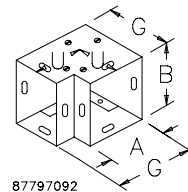
90-DEGREE ELBOW



Any side can be removed, retaining lay-in feature regardless of how the elbow is oriented. Sides are held together with screws.

BULLETIN: F40PF

Catalog Number	A x B (in.)	G (in.)
F22G90E	2.00 x 2.00	4.50
F44G90E	4.00 x 4.00	6.00
F66G90E	6.00 x 6.00	8.00
F1010G90E	10.00 x 10.00	12.00
F1212G90E	12.00 x 12.00	14.00



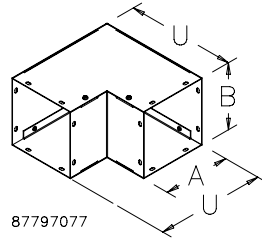
90-DEGREE ELBOW - OUTSIDE OPENING



For continuous run with 90-degree turns. Top, bottom and outside covers removable.

BULLETIN: F40PF

Catalog Number	A x B (in.)	U (in.)
F4490EOUT	4.00 x 4.00	8.00



90-DEGREE ELBOW - INSIDE OPENING

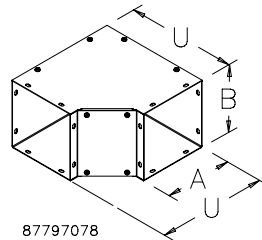


6

For continuous run with 90-degree turns. Top and inside covers removable.

BULLETIN: F40PF

Catalog Number	A x B (in.)	U (in.)
F4490EIN	4.00 x 4.00	8.00
F6690EIN	6.00 x 6.00	8.00
F8890EIN	8.00 x 8.00	10.00



CLOSURE PLATE

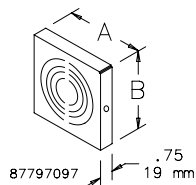


Closes the end of a wireway section or run.

BULLETIN: F40PF

Catalog Number	A x B (in.)
F22GCP	2.50 x 2.50
F22GCPNK	2.50 x 2.50
F44GCP	4.00 x 4.00
F44GCPNK	4.00 x 4.00
F66GCP	6.00 x 6.00
F66GCPNK	6.00 x 6.00
F88GCP	8.00 X 8.00
F88GCPNK	8.00 X 8.00
F1010GCPNK	10.00 X 10.00
F1212GCPNK	12.00 x 12.00

Catalog numbers ending in "NK" have no knockouts.



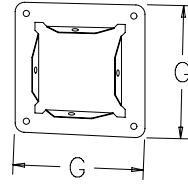
PANEL ADAPTER



A flanged fitting which allows the wireway to be securely connected to an enclosure.

BULLETIN: F40PF

Catalog Number	G (in.)
F22GPA	4.50
F44GPA	6.00
F66GPA	8.00
F88GPA	10.00
F1010GPA	12.00



87797096

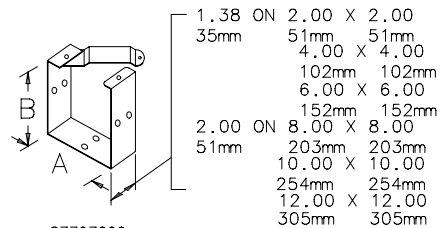
UNIVERSAL U-CONNECTOR



Joins wireway sections and fittings. Top swings aside to retain the lay-in feature. One U-connector required at each wireway joint except telescope fittings, panel adapters, open adapters, closure plates or reducers.

BULLETIN: F40PF

Catalog Number	A x B (in.)
F22GUC	2.50 x 2.50
F44GUC	4.00 x 4.00
F66GUC	6.00 x 6.00
F88GUC	8.00 x 8.00
F1010GUC	10.00 x 10.00
F1212GUC	12.00 x 12.00



87797099

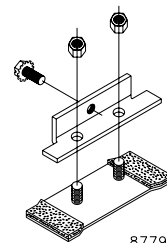
SEALING PLATE, 90-DEGREE ANGLE, LAY-IN HINGED-COVER



When joining a lay-in section or fitting to a closure plate, a box connector, a non-lay-in cut-off fitting or any similar non-lay-in section or fitting, a F____LSAG 90-degree angle sealing plate is required at each junction. Hoffman furnishes this plate with fittings. Additional 90-degree angle sealing plates may be required in some cases. Plate includes a flange gasket and flange screws, not shown in drawing.

BULLETIN: F40PF

Catalog Number	A x B (in.)
F44LSAG	4.00 x 4.00



87797158

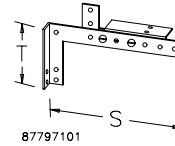
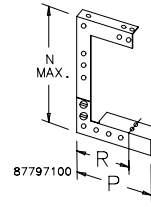
DROP AND BRACKET HANGERS



Drop and bracket hangers support a wireway run.

BULLETIN: F40PF

Catalog Number	N (in.)	P (in.)	R (in.)	S (in.)	T (in.)
F22GDB	8.50	4.50	3.38	7.25	3.75
F44GDB	10.50	6.00	4.12	9.25	4.50
F66GDB	15.00	7.12	5.12	13.75	5.50



REDUCER

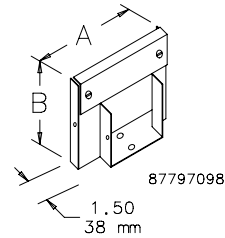
6



Reduces wireway to a smaller size.

BULLETIN: F40PF

Catalog Number	A x B (in.)
F66G44R	6.00 x 6.00



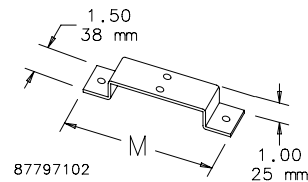
SUPPORT HANGER



For floor or wall installations.

BULLETIN: F40PF

Catalog Number	A x B (in.)	M (in.)
F44GSH	4.00 x 4.00	8.12



GASKET AND SCREWS, FEED-THROUGH



Standard packages of wireway contain one gasket and one set of screws to join sections, except Cross Fittings which contain three of each, Tee Fittings which contain two of each and Telescope Fittings which contain none. Additional gasket and screw sets may be ordered by catalog number.

BULLETIN: F20

Catalog Number	A x B (in.)
F44WG	4.00 x 4.00

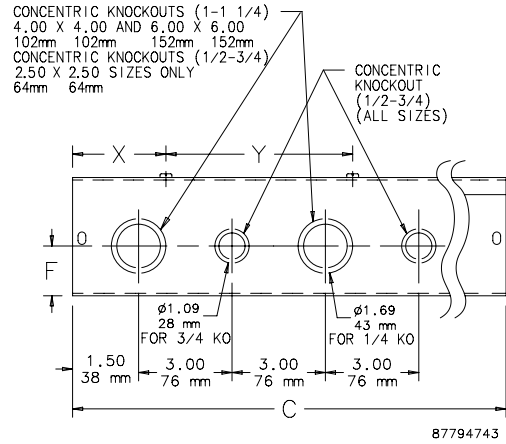
STRAIGHT SECTION, PAINTED



Available in lengths from 12.00 (305 mm) to 120.00 (3048 mm), with or without knockouts.

BULLETIN: F40PF

Catalog Number	A x B x C (in.)
F44T124GVP	4.00 x 4.00 x 124.00
F44T148GVP	4.00 x 4.00 x 148.00
F66T124GVP	6.00 x 6.00 x 124.00
F66T136GVP	6.00 x 6.00 x 136.00
F66T148GVP	6.00 x 6.00 x 148.00
F66T172GVP	6.00 x 6.00 x 172.00
F88T124GVP	8.00 x 8.00 x 124.00
F88T136GVP	8.00 x 8.00 x 136.00
F88T148GVP	8.00 x 8.00 x 148.00



PATTERN REPEATS EVERY 12.00 305 mm



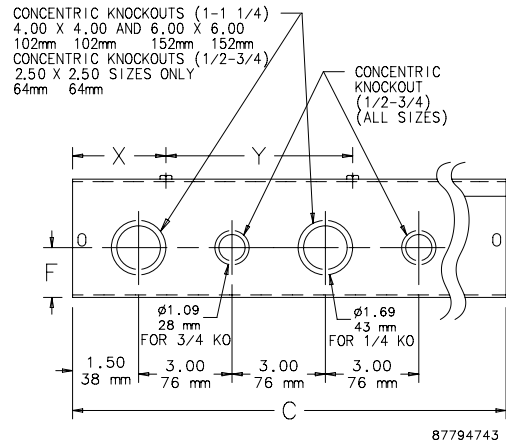
STRAIGHT SECTION, GALVANIZED



Available in lengths from 12.00 in. (305 mm) to 120.00 in. (3048 mm), with or without knockouts.

BULLETIN: F40G

Catalog Number	A x B x C (in.)
F66T124GV	6.00 x 6.00 x 24.00
F66T136GV	6.00 x 6.00 x 36.00
F66T148GV	6.00 x 6.00 x 48.00
F88T124GV	8.00 x 8.00 x 24.00
F88T148GV	8.00 x 8.00 x 48.00
F1212T148GV	12.00 x 12.00 x 48.00



PATTERN REPEATS EVERY 12.00 305 mm

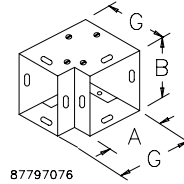
90-DEGREE ELBOW, GALVANIZED



Any side can be removed, retaining lay-in feature regardless of how the elbow is oriented. Sides are held together with screws.

BULLETIN: F40GF

Catalog Number	A x B (in.)	G (in.)
F8890EGV	8.00 x 8.00	10.00
F121290EGV	12.00 x 12.00	14.00



CLOSURE PLATE, GALVANIZED



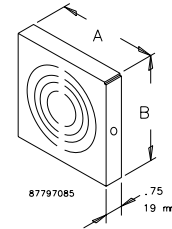
6

Closes the end of a wireway section or run.

BULLETIN: F40GF

Catalog Number	A x B (in.)
F44GCPNKGV	4.00 x 4.00
F66GCPNKGV	6.00 x 6.00
F88GCPNKGV	8.00 x 8.00
F1010GCPNKGV	10.00 x 10.00
F1212GCPNKGV	12.00 x 12.00

Catalog numbers ending in "NK" have no knockouts.



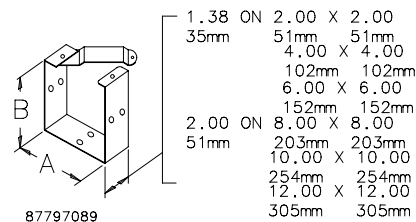
UNIVERSAL U-CONNECTOR, GALVANIZED



Joins wireway sections and fittings. Top swings aside to retain the lay-in feature. One U-connector required at each wireway joint except telescope fittings, panel adapters, open adapters, closure plates or reducers.

BULLETIN: F40GF

Catalog Number	A x B (in.)
F22GUCGV	2.50 x 2.50
F66GUCGV	6.00 X 6.00
F88GUCGV	8.00 X 8.00
F1010GUCGV	10.00 x 10.00
F1212GUCGV	12.00 X 12.00



WIRING TROUGH, SCREW-COVER NEMA TYPE 3R



Catalog Number	A x B x C (in.)
A6612RT	6.00 x 6.00 x 12.00
A6624RT	6.00 x 6.00 x 24.00
A6636RT	6.00 x 6.00 x 36.00
A6648RT	6.00 x 6.00 x 48.00
A8824RT	8.00 x 8.00 x 24.00
A8836RT	8.00 x 8.00 x 36.00
A8848RT	8.00 x 8.00 x 48.00



INDUSTRY STANDARDS

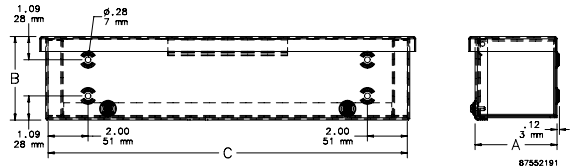
UL 870 Listed; File No. E27524; Raintight
 cUL Listed per CSA C22.2 No. 26; File No. E27524; Raintight

NEMA/EEMAC Type 3R
 IEC 60529 IP32

APPLICATION

Available in a range of sizes, this wiring trough meets basic functionality requirements for applications subjected to moisture.

BULLETIN: F40PT





CHAPTER 7 ACCESSORIES



Panels for Junction Boxes

Steel panels are 14 gauge, finished with white polyester powder paint or with a conductive, corrosion-resistant coating. Panel mounting hardware is furnished with all enclosures which accept these panels.



Hol-Sealers Hole Seals

Seal extra pushbutton holes, conduit openings and knockout openings against dust, dirt, oil and water with HOFFMAN Hol-Sealers. Seals will cover many size or shaped holes. Can be used on enclosure walls up to .31-in. (8-mm) thick.



CHAPTER CONTENT

ENCLOSURE PANELS 98



Panels

Concept Panels	98
Panels for Junction Boxes	98
Panels for Type 3R, 4, 4X, 12 and 13 Enclosures	99
Panels for free-stand enclosures with mounting channel	100
Panel for Free-Stand Enclosure with Mounting Stud	101
Qline D Panels	101

ENCLOSURE ACCESSORIES 102

General

H2omit Vent Drains, Type 4X	102
Hol-Sealers Hole Seals	102
Floor Stand Kit	103
Mounting Bracket Kits	103
Thermoplastic Data Pocket	103
Keyed Cylinder Lock Kits	104
Clamp Kits	104
Remote Door Switch	104

HOFFMAN on Demand

Please visit hoffman.nvent.com for the entire HOFFMAN breadth of 15,000 products.

CONCEPT PANELS


These panels are taller and wider than corresponding NEMA-size panels. Panels are 14 or 12 gauge steel and painted white or have a conductive finish.

Panels have a formed flange along any side that is longer than 22.20 in. (564 mm).

BULLETIN: CWP

Catalog Number	Height (in.)	Width (in.)	Material
CP1212	10.2	10.2	Painted Steel
CP1212G	10.2	10.2	Galvanized
CP1612	14.2	10.2	Painted Steel
CP1612G	14.2	10.2	Galvanized
CP1616	14.2	14.2	Painted Steel
CP1616G	14.2	14.2	Galvanized
CP2016	18.2	14.2	Painted Steel
CP2016G	18.2	14.2	Galvanized
CP2020	18.2	18.2	Painted Steel
CP2020G	18.2	18.2	Galvanized
CP2416	22.2	14.2	Painted Steel
CP2416G	22.2	14.2	Galvanized
CP2420	22.2	18.2	Painted Steel
CP2420G	22.2	18.2	Galvanized

Catalog Number	Height (in.)	Width (in.)	Material
CP2424	22.2	22.2	Painted Steel
CP2424G	22.2	22.2	Galvanized
CP2442	22.2	40.2	Painted Steel
CP2442G	22.2	40.2	Galvanized
CP3024	28.2	22.2	Painted Steel
CP3024G	28.2	22.2	Galvanized
CP3030	28.2	28.2	Painted Steel
CP3030G	28.2	28.2	Galvanized
CP3060	28.2	58.2	Painted Steel
CP3060G	28.2	58.2	Galvanized
CP3624	34.2	22.2	Painted Steel
CP3624G	34.2	22.2	Galvanized
CP3630	34.2	28.2	Painted Steel
CP3630G	34.2	28.2	Galvanized
CP3636	34.2	34.2	Painted Steel
CP3636G	34.2	34.2	Galvanized
CP4230	40.2	28.2	Painted Steel
CP4230G	40.2	28.2	Galvanized
CP4236	40.2	34.2	Painted Steel
CP4236G	40.2	34.2	Galvanized
CP4836	46.2	34.2	Painted Steel
CP4836G	46.2	34.2	Galvanized
CP6036	58.2	34.2	Painted Steel
CP6036G	58.2	34.2	Galvanized

7
PANELS FOR JUNCTION BOXES


Steel panels are 14 gauge, finished with white polyester powder paint or with a conductive, corrosion-resistant coating. Panel mounting hardware is furnished with all enclosures which accept these panels.

BULLETIN: PNLJ, PNLWM

Catalog Number	Height (in.)	Width (in.)	Material
A6P4	4.88	2.88	Painted Steel
A6P4G	4.88	2.88	Galvanized
A6P6	4.88	4.88	Painted Steel
A6P6G	4.88	4.88	Galvanized
A8P6	6.75	4.88	Painted Steel
A8P6G	6.75	4.88	Galvanized
A8P8	6.75	6.88	Painted Steel
A8P8G	6.75	6.88	Galvanized
A10P10	8.75	8.88	Painted Steel
A10P10G	8.75	8.88	Galvanized
A10P8	8.75	6.88	Painted Steel
A10P8G	8.75	6.88	Galvanized
A12P10	10.75	8.88	Painted Steel
A12P10G	10.75	8.88	Galvanized
A12P12	10.75	10.88	Painted Steel
A12P12G	10.75	10.88	Galvanized
A14P12	12.75	10.88	Painted Steel
A14P12G	12.75	10.88	Galvanized
A16P14	14.75	12.88	Painted Steel
A16P14G	14.75	12.88	Galvanized
A18P16	16.75	14.88	Painted Steel

PANELS FOR TYPE 3R, 4, 4X, 12 AND 13 ENCLOSURES



Steel panels are 11 or 12 gauge, finished with white polyester powder paint or a conductive, corrosion-resistant coating. Larger panels have flanges on two or four sides. Some larger steel panels are 11 gauge and include extra holes for panel lifting. Panel mounting hardware is furnished with all enclosures which accept these panels.

BULLETIN: PNLWM, PNLFS

Catalog Number	Height (in.)	Width (in.)	Material
A16P12	14.75	10.88	Painted Steel
A16P12G	14.75	10.88	Galvanized
A16P16	13	13	Painted Steel
A16P16G	13	13	Galvanized
A20P16	17	13	Painted Steel
A20P16G	17	13	Galvanized
A20P20	17	17	Painted Steel
A20P20G	17	17	Galvanized
A24P16	21	13	Painted Steel
A24P16G	21	13	Galvanized
A24P20	21	17	Painted Steel
A24P20G	21	17	Galvanized
A24P24	21	21	Painted Steel
A24P24G	21	21	Galvanized
A30P24	27	21	Painted Steel
A30P24G	27	21	Galvanized

Catalog Number	Height (in.)	Width (in.)	Material
A30P30	27	27	Painted Steel
A30P30G	27	27	Galvanized
A36P24	33	21	Painted Steel
A36P24G	33	21	Galvanized
A36P30	33	27	Painted Steel
A36P30G	33	27	Galvanized
A36P36	33	33	Painted Steel
A36P36G	33	33	Galvanized
A42P24	39	21	Painted Steel
A42P24G	39	21	Galvanized
A42P30	39	27	Painted Steel
A42P30G	39	27	Galvanized
A42P36	39	33	Painted Steel
A42P36G	39	33	Galvanized
A48P36	45	33	Painted Steel
A48P36G	45	33	Galvanized
A48P48	44	44	Painted Steel
A48P48G	44	44	Galvanized
A60BFP42	56	38	Painted Steel
A60BFP42G	56	38	Galvanized
A60P36	57	33	Painted Steel
A60P36G	57	33	Galvanized
A60P48	56	44	Painted Steel
A60P48G	56	44	Galvanized
A60P60	56	56	Painted Steel
A60P60G	56	56	Galvanized
A72P36	69	33	Painted Steel
A72P36G	69	33	Galvanized
A72P60	68	56	Painted Steel
A72P60G	68	56	Galvanized
A72P72	68	68	Painted Steel
A72P72G	68	68	Galvanized



PANELS FOR FREE-STAND ENCLOSURES WITH MOUNTING CHANNEL


Panels are 12 gauge steel and can be positioned anywhere along horizontal mounting channels. Panels are full length and finished with white polyester powder paint or a conductive, corrosion-resistant coating and furnished with plated mounting hardware.

BULLETIN: PNL30

Catalog Number	Height (in.)	Width (in.)	Material	Full or Half	Enclosure Height (in.)	Enclosure Width (in.)
A60P36F1	48	32	Painted Steel	Full	60	36
A60P36F1G	48	32	Galvanized	Full	60	36
A72P24F1	60	20	Painted Steel	Full	72	24
A72P24F1G	60	20	Galvanized	Full	72	24
A72P30F1	60	26	Painted Steel	Full	72	30
A72P30F1G	60	26	Galvanized	Full	72	30
A72P36F1	60	32	Painted Steel	Full	72	36
A72P36F1G	60	32	Galvanized	Full	72	36
A72P48F1	60	44	Painted Steel	Full	72	48
A72P48F1G	60	44	Galvanized	Full	72	48
A72P60F1	60	56	Painted Steel	Full	72	60
A72P60F1G	60	56	Galvanized	Full	72	60
A72P72F1	60	68	Painted Steel	Full	72	72
A72P72F1G	60	68	Galvanized	Full	72	72
A90P36F1	78	32	Painted Steel	Full	90	36
A90P36F1G	78	32	Galvanized	Full	90	36
A90P48F1	78	44	Painted Steel	Full	90	48
A90P48F1G	78	44	Galvanized	Full	90	48
A90P72F1	78	68	Painted Steel	Full	90	72
A90P72F1G	78	68	Galvanized	Full	90	72

Side-Mount Panels

Catalog Number	Height (in.)	Width (in.)	Material	Enclosure Height (in.)
A72SMP14	60	14	Painted Steel	72
A72SMP20	60	20	Painted Steel	72
A90SMP14	78	14	Painted Steel	90

PANEL FOR FREE-STAND ENCLOSURE WITH MOUNTING STUD



Panels are 11 gauge steel with .80-in. (20-mm) flanges on four sides. Finish is white polyester powder paint or a conductive, corrosion-resistant coating. Two extra holes are provided for lifting and installing panels. Mounting hardware included with enclosure.

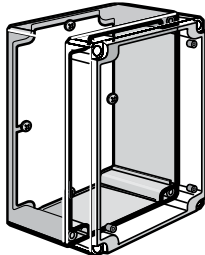


BULLETIN: PNLFS

Catalog Number	Height (in.)	Width (in.)	Material	Enclosure Height (in.)	Notes
A72PM34	60	27.75	Painted Steel	72	—
A72PM34G	60	27.75	Galvanized	72	—
A72PM40	60	33.75	Painted Steel	72	—
A72PM40G	60	33.75	Galvanized	72	—
A72PM54	60	48	Painted Steel	72	—
A72PM54G	60	48	Galvanized	72	—
A72PM66	60	60	Painted Steel	72	—
A72PM66G	60	60	Galvanized	72	—
A72PM78	60	72	Painted Steel	72	—
A72PM78G	60	72	Galvanized	72	—
A84PM40	72	33.75	Painted Steel	84	—
A84PM40G	72	33.75	Galvanized	84	—
A84PM78	72	72	Painted Steel	84	—
A84PM78G	72	72	Galvanized	84	—
A90PM40	78	33.75	Painted Steel	90	—
A90PM40G	78	33.75	Galvanized	90	—
A90PM78	78	72	Painted Steel	90	—
A90PM78G	78	72	Galvanized	90	—



QLINE D PANELS



Catalog Number	Height (in.)	Width (in.)
Q88PD	2.56	2.17
Q1612PD	5.20	4.13

BULLETIN: Q41Y

H2OMIT VENT DRAINS, TYPE 4X



INDUSTRY STANDARDS

Maintains UL/cUL Type 4, 4X rating when properly installed on a UL/cUL Type 4 or 4X enclosure.

UL 508A Listed; Type 4, 4X; File No. E61997
cUL Listed per CSA C22.2 No 94; Type 4, 4X; File No. E61997

NEMA/EEMAC Type 4, 4X
IEC 60529, IP66

APPLICATION

H2omit Vent Drains allow accumulated water to drain out the bottom of an enclosure. The UL-approved vent drains also function as an air pressure equalizer, reducing the harmful effects of temperature-induced vacuums that could pull water and moisture into the enclosure.

BULLETIN: H2O

Catalog Number	Description
AVDR4NM	Non-metallic vent drain
AVDR4SS4	Stainless steel vent drain

HOL-SEALERS HOLE SEALS



7

INDUSTRY STANDARDS

Steel Hole Seals

UL 508A Component Recognized; Type 3R, 4, 12, 13; File No. E61997

CSA File No. 42186; Type 3R, 4, 12, 13
NEMA/EEMAC Type 3R, 4, 12, 13
IEC 60529, IP66

Stainless Steel Hole Seals

UL 508A Component Recognized; Type 3R, 4, 4X, 12, 13; File No. E61997

CSA File No. 42186; Type 3R, 4, 4X, 12, 13
NEMA/EEMAC Type 3R, 4, 4X, 12, 13
IEC 60529, IP66

APPLICATION

Seal extra pushbutton holes, conduit openings and knockout openings against dust, dirt, oil and water with HOFFMAN Hol-Sealers. Can be used on enclosure walls up to .31-in. (8-mm) thick.

BULLETIN: A80HS

Catalog Number	Description	Material
AS050	½" Conduit Hole Seal	Painted Steel
AS050SS	½" Conduit Hole Seal	Stainless Steel
AS075	¾" Conduit Hole Seal	Painted Steel
AS075SS	¾" Conduit Hole Seal	Stainless Steel
AS100	1" Conduit Hole Seal	Painted Steel
AS150	1.5" Conduit Hole Seal	Painted Steel
AS200	2" Conduit Hole Seal	Painted Steel

FLOOR STAND KIT



INDUSTRY STANDARDS

Product maintains UL/CSA Type 12 when properly installed on HOFFMAN Type 4 or Type 12 enclosures.

APPLICATION

Kits are easily installed on most wall-mount HOFFMAN enclosures. Can also be used to elevate HOFFMAN free-stand enclosures.



To install, drill holes in the bottom of the enclosure and bolt the floor stands to the enclosure. It is not necessary to remove the wall-mount brackets from the enclosure.

BULLETIN: A80

Catalog Number	Height (in.)	Width (in.)	Length (in.)	Material
AFK0618	6	18	7	Steel
AFK1212	12	12	8	Steel
AFK1216	12	16	8	Steel
AFK2412	24	12	10	Steel

MOUNTING BRACKET KITS



Mounting-Bracket Kits are field installable. Stainless steel brackets are rated to Type 4X. Set of four (4) brackets can support 500 lb. (227 kg) maximum load. All hardware is included. Four brackets per kit. *Mounting brackets are required to maintain UL/CSA external mounting requirement.*

BULLETIN: A80

Catalog Number	Description
CMFK	Mild Steel Mounting Foot Kit
CMFKSS	Stainless Steel Mounting Foot Kit

THERMOPLASTIC DATA POCKET



Provides a convenient place to store wiring diagrams, operation manuals and other documentation inside the enclosure. Adhesive-backed pockets mount inside the solid enclosure cover. Mounting hardware included. Thermoplastic pockets are dark gray and have cut-away areas for easy inspection of contents.

BULLETIN: A80DP

Catalog Number	Description
ADP1	Thermoplastic Data Pocket, 6 in. x 6 in.
ADP2	Large Thermoplastic Data Pocket, 12 in. x 12 in.

KEYED CYLINDER LOCK KITS



To install, simply remove the standard slotted latch and insert the kit. Complete installation instructions are furnished. Catalog number includes a Type L12 cylinder lock, cam and all hardware. Latch and lock fit Type 1 enclosures and hinged-cover pull boxes.

BULLETIN: A80

Catalog Number	Description
AL12AR	Keyed Cylinder Lock Kit, Type 1

CLAMP KITS



These kits provide replacement clamps for clamp-cover junction boxes. Each kit contains two clamps and all mounting hardware.

BULLETIN: A80

Catalog Number	Description
AL18	Clamp Kit, Stainless Steel, For Use With A51 Junction Boxes

REMOTE DOOR SWITCH

7



The remote door switch can activate a light or other electrical component when the enclosure door is opened. It mounts on enclosure frame and includes mounting hardware. The mounting plate is 14 gauge steel with a plated finish. It also can be hard-wired to the Panelite LED or Fluorescent light or connected via the Panelite Door Switch Cable.

BULLETIN: A80LT

Catalog Number	Description
ALFSWD	Remote Door Switches, Activates a Light or Electrical Component When the Door Opens

Notes





CHAPTER 8 CLIMATE CONTROL



SpectraCool Indoor/Outdoor

SpectraCool Air Conditioners deliver reliable enclosure cooling in demanding environments, including industrial automation, telecommunications, waste water treatment, material handling, security and defense systems. These Air Conditioners are available in three configurations that offer a broad range of cooling capacities.



HF Side-Mount Filter Fans

Filter Fans cool a wide range of heat loads in applications ranging from industrial drives to process equipment and controls. More than 175 models, Type 12, Type 3R and Type 1 options available.



CHAPTER CONTENT

SEALED ENCLOSURE COOLING..... 108



Air Conditioners

SpectraCool Indoor	108
SpectraCool Compact Indoor	109
SpectraCool Narrow Indoor	109
T-Series Compact Outdoor	110
Easy Swap Adaptor Plenums For Air Conditioners	110

FRESH AIR ENCLOSURE COOLING 111

Filter Fans

HF Side-Mount Filter Fans	111
---------------------------------	-----

Heaters

Electric Heaters	112
------------------------	-----

HOFFMAN on Demand

Please visit hoffman.nvent.com for the entire HOFFMAN breadth of 15,000 products.

SPECTRACOOOL INDOOR


G57
20000 BTU/Hr.
5861 Watt

G52
8000/12000 BTU/Hr.
2300/3500 Watt

G28
4000/6000 BTU/Hr.
1172/1758 Watt

INDUSTRY STANDARDS

UL/cUL Listed; Type 12, 3R, 4; File No. SA6453

CE
EAC
IP 56 Internal Loop
IP 34 on External Loop

APPLICATION

- Painted RAL 7035 galvanized Sheet-metal cover for rugged factory environment
- Dust-resistant condenser coil allows for filterless operation
- Cleanable, reusable aluminum mesh filter included
- Active condensate management with heater strip
- Power-off relay for door switch
- Malfunction switch
- Mechanical Thermostat

Catalog Number	BTU	Voltage (AC)
G280416G050	4000	115
G280426G050	4000	230
G280446G050	4000	400/460
G280616G050	6000	115
G280626G050	6000	230
G280646G050	6000	400/460
G520816G050	8000	115
G520826G050	8000	230
G520846G050	8000	400/460
G521216G050	12000	115
G521226G050	12000	230
G521246G050	12000	400/460
G572046G050	20000	400/460

Reference <http://hoffman.nvent.com/en/hoffman/SpectraCool-Indoor-Outdoor/> to verify capacity curves in spec sheet located in "Downloads" tab.

SPECTRACOOL COMPACT INDOOR



INDUSTRY STANDARDS

UL/cUL Listed; Type 12; File No. SA6453

CE
 IP 54 Internal Loop
 IP 34 External Loop
 EAC
 Telcordia GR-487 capable
 Reference performance data tables for agency approvals applied to each model.



APPLICATION

- Narrow design accommodates 12-in. deep cabinets
- Painted RAL 7035 galvanized Sheet-metal cover for rugged factory environment
- Dust-resistant condenser coil allows for filterless operation
- Cleanable, reusable aluminum mesh filter included
- Active condensate management with heater strip
- Power-off relay for door switch
- Malfunction switch
- Mechanical Thermostat

Catalog Number	BTU	Voltage (AC)
N170116G010	1000	115
N170126G010	1000	230
N170146G010	1000	400/460
N170216G010	2000	115
N170226G010	2000	230
N170246G010	2000	400/460

Reference <http://hoffman.nvent.com/en/hoffman/SpectraCool-Compact-Indoor/> to verify capacity curves in spec sheet located in "Downloads" tab.

SPECTRACOOL NARROW INDOOR



N43
11000 BTU/Hr.
3223 Watt

N36
6000/8000 BTU/Hr.
1758/2344 Watt

N28
4000 BTU/Hr.
1172 Watt

INDUSTRY STANDARDS

UL/cUL Listed; Type 12, 3R, 4; File No. SA6453

CE
 IP 56 Internal Loop
 IP 34 on External Loop

APPLICATION

- Narrow design accommodates 12-in. deep cabinets
- Painted RAL 7035 galvanized Sheet-metal cover for rugged factory environment
- Dust-resistant condenser coil allows for filterless operation
- Cleanable, reusable aluminum mesh filter included
- Active condensate management with heater strip
- Power-off relay for door switch
- Malfunction switch
- Mechanical Thermostat

Catalog Number	BTU	Voltage (AC)
N280416G050	4000	115
N360616G050	6000	115
N360646G050	6000	400/460
N360846G050	8000	400/460
N431246G050	12000	400/460

Reference <http://hoffman.nvent.com/en/hoffman/SpectraCool-Narrow-Indoor-Outdoor/> to verify capacity curves in spec sheet located in "Downloads" tab.

T-SERIES COMPACT OUTDOOR


T15
800 BTU/Hr.
234 Watts

T20
2000 BTU/Hr.
586 Watts

Catalog Number	BTU	Voltage (AC)	Heater Option
T150116G100	800	115	Without Heat
T150116G150	800	115	With Heat
T200216G100	2000	115	Without Heat
T200216G150	2000	115	With Heat
T200226G100	2000	230	Without Heat

Reference <http://hoffman.nvent.com/en/hoffman/T-Series-Compact-Outdoor/> to verify capacity curves in spec sheet located in "Downloads" tab.

INDUSTRY STANDARDS

UL/cUL Listed; Type 12, 3R, 4; File No. SA6453

CE
EAC
Telcordia GR-487 capable

APPLICATION

- Painted RAL 7035 galvanized Sheet-metal cover for rugged outdoor environments
- Dust-resistant condenser coil allows for filterless operation
- Cleanable, reusable aluminum mesh filter included
- Malfunction switch
- Compressor heater
- Head pressure control
- Mechanical thermostat
- Heater packages include 150w heater
- Outdoor operating temperature range from -40F/-40C to 131F/55C

EASY SWAP ADAPTOR PLENUMS FOR AIR CONDITIONERS

INDUSTRY STANDARDS

Maintains NEMA Type 12 rating when properly installed on a Type 12 enclosure.

NEMA Type 12
IP 54

APPLICATION

When existing air conditioners are damaged or have reached end-of-life, Easy Swap Adaptor Plenums provide a quick and easy means for attaching newer HOFFMAN air conditioners to the cutout left on the enclosure

Catalog Number	Description
PLM28G28	Plenum adapter to replace M28 with G28
PLM28N17	Plenum adapter to replace M28 with N17
PLM13N17	Plenum adapter to replace M13 with N17

HF SIDE-MOUNT FILTER FANS



INDUSTRY STANDARDS

UL/cUL Listed; File No. E482010



CE
 EAC
 Type 12 standard on all models
 IP54 standard on all options except HF13

APPLICATION

- Click-fit design for fast installation; no tools or screws required
- Terminal block connections
- Hinged grille stays attached for easy filter replacement
- RAL7035 light-gray UV-resistant plastic standard
- Service life hours from 40,000 to 100,000 hours
- Operating temperature range from -4F/-20C to 149F/65C

Filter Fans

Catalog Number	Free Air Flow (CFM / m ³ /hr.)	Voltage
HF0416414	21 / 36	115 VAC
HF0424414	21 / 36	24 VDC
HF0426414	21 / 36	230 VAC
HF0516414	35 / 59	115 VAC
HF0524414	35 / 59	24 VDC
HF0526414	35 / 59	230 VAC
HF0916414	70 / 119	115 VAC
HF0924414	70 / 119	24 VDC
HF0926414	70 / 119	230 VAC
HF1016414	159 / 270	115 VAC
HF1024414	159 / 270	24 VDC
HF1026414	159 / 270	230 VAC
HF1316414	395 / 671	115 VAC
HF1316424	484 / 822	115 VAC
HF1324414	395 / 671	24 VDC
HF1326414	395 / 671	230 VAC
HF1326424	484 / 822	230 VAC

Filter Fan Exhaust Grilles

Catalog Number	Description
HG0400404	HG04 Exhaust Grille
HG0500404	HG05 Exhaust Grille
HG0900404	HG09 Exhaust Grille
HG1000404	HG10 Exhaust Grille
HG1300404	HG13 Exhaust Grille

HF Filter Fans Replacement Filters

Catalog Number	Fits Fan Packages	IP Rating
89134423R	All HF04 Models	
89134424R	All HF05 Models	IP54
89134425R	All HF09 Models	IP54
89134426R	All HF10 Models	IP54
89134427R	All HF13 Models	IP54
89136408R	All HF05 Models	IP55
89136409R	All HF09 Models	IP55
89136410R	All HF10 Models	IP55
89136411R	All HF13 Models	IP55

ELECTRIC HEATERS



INDUSTRY STANDARDS

UL 508A Component Recognized; File No. E61997

CSA Certified, CSA File No. LR42186
CE

APPLICATION

Protect mechanical, electrical and electronic equipment from low temperatures, condensation and corrosion with this thermostatically controlled, fan-driven heater that maintains a stable enclosure temperature. Fan draws cool air from the bottom of the enclosure and passes this air across the thermostat and heating element before being released into enclosure cavity. Heated air is discharged through the top of the heater unit.

CAUTION

These electric heaters are not designed for use in dusty, dirty, corrosive, or hazardous locations. Portions of the heater can get hot. Adequate protection must be taken to protect people from potential burns, and to protect other components from this heat. nVent recommends this heater only be installed in a totally-enclosed metal enclosure.

DO NOT INSTALL HEATERS ON WOOD PANELS. Heat sensitive components should not be placed near the heater discharge area since this air can be quite warm. The clearance range defines the space that must be kept free of these components for proper and safe operation of the heater.

Catalog Number	Watts	Voltage (AC)
DAH1001A	100	100 - 120
DAH1002A	100	200 - 250
DAH2001A	200	100 - 120
DAH2002A	200	200 - 250
DAH4001B	400	100 - 120
DAH4002B	400	200 - 250
DAH8001B	800	100 - 120
DAH8002B	800	200 - 250
DAH13001C	1300	100 - 120
DAH13002C	1300	200 - 250

Notes





Catalog Number	Catalog Page	Catalog Number	Catalog Page
89134423R	111	A1008CHNFSS6	22
89134424R	111	A1008SC	16
89134425R	111	A10086CH	15
89134426R	111	A10086CHFL	16
89134427R	111	A10106CH	15
89136408R	111	A10106CHFL	16
89136409R	111	A10106CHNF	15
89136410R	111	A10106SC	16
89136411R	111	A1086CHQRFG	24
A6R64	81	A12P10	98
A6R64NK	81	A12P10G	98
A8R84	81	A12P12	98
A8R84NK	81	A12P12G	98
A8R86	81	A1210CH	15
A8R86NK	81	A1210CHFL	16
A10R104	81	A1210CHNF	15
A12N124	81	A1210SC	16
A12N126	81	A12106CHNFSS	22
A12R124	81	A12106CHNFSS6	22
A12R124NK	81	A12106CHQRFG	24
A12R126	81	A12106PHC	26
A12R126HCR	80	A1212CH	15
A12R126NK	81	A1212CHFL	16
A18R186	81	A1212CHNF	15
A20N16ALP	78	A1212CHNFSS	22
A664GSC	80	A1212CHNFSS6	22
A6612RT	95	A1212SC	16
A6624RT	95	A14P12	98
A6636RT	95	A14P12G	98
A6648RT	95	A1412CH	15
A8824RT	95	A1412CHNF	15
A8836RT	95	A1412CHNFSS	22
A8848RT	95	A1412CHNFSS6	22
A10P10	98	A1412SC	16
A10P10G	98	A14128CH	15
A10P8	98	A14128CHFL	16
A10P8G	98	A14128CHQRFG	24
A1008CH	15	A16H1206SS6LP	20
A1008CHNF	15	A16H1206SSLP	20
A1008CHNFSS	22	A16H1208SS6LP	20
		A16H1208SSLP	20

Catalog Number	Catalog Page	Catalog Number	Catalog Page
A16H16ALP	12	A24H20BLP	12
A16H1606SS6LP	20	A24H2006SSLP	20
A16H1606SSLP	20	A24H2008SS6LP	20
A16P12	99	A24H2008SSLP	20
A16P12G	99	A24H2010SS6LP	20
A16P14	98	A24H2010SSLP	20
A16P14G	98	A24H24BLP	12
A16P16	99	A24H2406SSLP	20
A16P16G	99	A24H2408GQRLP	24
A1614CH	15	A24H2408SS6LP	20
A1614CHNF	15	A24H2408SS6LP3PT	21
A1614CHNFSS	22	A24H2408SSLP	20
A1614CHNFSS6	22	A24H2408SSLP3PT	21
A1614SC	16	A24H2412SS6LP	20
A16148CH	15	A24H2412SSLP	20
A16148CHFL	16	A24H2412SSLP3PT	21
A16148CHQRFG	24	A24P16	99
A161606LP	11	A24P16G	99
A18P16	98	A24P20	99
A18SBASE	74	A24P20G	99
A181610CHQRFG	24	A24P24	99
A20H16BLP	12	A24P24G	99
A20H1606SS6LP	20	A24SA2608LPPL	13
A20H1606SSLP	20	A24SBASE	74
A20H1608SS6LP	20	A242008LP	11
A20H1608SSLP	20	A242408LP	11
A20H1610SS6LP	20	A242412LP	11
A20H1610SSLP	20	A244208WFLP	12
A20H20BLP	12	A30H24BLP	12
A20H2006SS6LP	20	A30H24DLP	12
A20H2006SSLP	20	A30H2408SS6LP	20
A20H2008SS6LP	20	A30H2408SSLP	20
A20H2008SSLP	20	A30H2410SSLP	20
A20P16	99	A30H2412GQRLP	24
A20P16G	99	A30H2412SS6LP	20
A20P20	99	A30H2412SSLP	20
A20P20G	99	A30H2412SSLP3PT	21
A201608LP	11	A30H30BLP	12
A202006LP	11	A30H3008SS6LP	20
A202008LP	11	A30H3008SSLP	20
A24H1608SSLP	20	A30P24	99





Catalog Number	Catalog Page	Catalog Number	Catalog Page
A30P24G.....	99	A42P24G.....	99
A30P30.....	99	A42P30.....	99
A30P30G.....	99	A42P30G.....	99
A30SA2608LPPL.....	13	A42P36.....	99
A302408LP.....	11	A42P36G.....	99
A302412LP.....	11	A42SA3212LPPL.....	13
A303008LP.....	11	A42SA3812LPPL.....	13
A303012LP.....	11	A423610LP.....	11
A304210WFLP.....	12	A423612LP.....	11
A36H2408SS6LP.....	20	A426012WFALP.....	12
A36H2408SSLP.....	20	A44CCOL.....	74
A36H2410SSLP.....	20	A44PBCOL.....	74
A36H30DLP.....	12	A48H36DLP3PT.....	12
A36H3008SSLP.....	20	A48H36FLP3PT.....	12
A36H3010SSLP.....	20	A48H3612SS6LP.....	20
A36H3012SS6LP.....	20	A48H3612SS6LP3PT.....	21
A36H3012SSLP.....	20	A48H3612SSLP.....	20
A36H3012SSLP3PT.....	21	A48H3612SSLP3PT.....	21
A36H3016SSLP.....	20	A48H3616SS6LP3PT.....	21
A36H3612SS6LP.....	20	A48H3616SSLP.....	20
A36H3612SSLP.....	20	A48H3616SSLP3PT.....	21
A36H3612SSLP3PT.....	21	A48P36.....	99
A36P24.....	99	A48P36G.....	99
A36P24G.....	99	A48P48.....	99
A36P30.....	99	A48P48G.....	99
A36P30G.....	99	A48SA3812LPPL.....	13
A36P36.....	99	A48SA3816LPPL.....	13
A36P36G.....	99	A483612LP.....	11
A36SA3208LPPL.....	13	A483616LP.....	11
A36SA3212LPPL.....	13	A484812WFLP.....	12
A363008LP.....	11	A60BFP42.....	99
A363012LP.....	11	A60BFP42G.....	99
A363608LP.....	11	A60H36DLP3PT.....	12
A363612LP.....	11	A60H36FLP3PT.....	12
A364212WFLP.....	12	A60H3612SSLP.....	20
A404CH.....	15	A60H3612SSLP3PT.....	21
A404CHFL.....	16	A60H3616SSLP3PT.....	21
A404DSC.....	17	A60P36.....	99
A404SC.....	16	A60P36F1.....	100
A42H3612SSLP3PT.....	21	A60P36F1G.....	100
A42P24.....	99	A60P36G.....	99

Catalog Number	Catalog Page	Catalog Number	Catalog Page
A6P4	98	A62H6018SSLP3PT	36
A6P4G	98	A66CCOL	74
A60P48	99	A664CHQRFG	24
A60P48G	99	A72H2518FS3PT	32
A6P6	98	A72H3124FS3PT	32
A60P60	99	A72H36DLP3PT	12
A6P6G	98	A72H3724FS3PT	32
A60P60G	99	A72P24F1	100
A60SA3812LPPL	13	A72P24F1G	100
A60SA3816LPPL	13	A72P30F1	100
A60X4912LPFTC	33	A72P30F1G	100
A60X4918LPFTC	33	A72P36	99
A60X6112LPFTC	33	A72P36F1	100
A60X6118LPFTC	33	A72P36F1G	100
A603612LP	11	A72P36G	99
A603616LP	11	A72P48F1	100
A603624FS	30	A72P48F1G	100
A604CH	15	A72P60	99
A604SC	16	A72P60F1	100
A6044CHNFSS	22	A72P60F1G	100
A604808LP	34	A72P60G	99
A604810LP	34	A72P72	99
A604812LP	34	A72P72F1	100
A604816LP	34	A72P72F1G	100
A604824LP	34	A72P72G	99
A606CH	15	A72PM34	101
A606CHFL	16	A72PM34G	101
A606CHNF	15	A72PM40	101
A606CHNFSS	22	A72PM40G	101
A606SC	16	A72PM54	101
A606010LP	34	A72PM54G	101
A606012LP	34	A72PM66	101
A606016LP	34	A72PM66G	101
A606024LP	34	A72PM78	101
A62H4810LP3PT	34	A72PM78G	101
A62H4812SSLP3PT	36	A72SMP14	100
A62H4818LP3PT	34	A72SMP20	100
A62H4818SSLP3PT	36	A72X6112LPFTC	33
A62H6012LP3PT	34	A72X6118LPFTC	33
A62H6012SSLP3PT	36	A72X7312LPFTC	33
A62H6018LP3PT	34	A72X7318LPFTC	33





Catalog Number	Catalog Page	Catalog Number	Catalog Page
A72X7324LPFTC.....	33	A8P8G.....	98
A72XM3418FTCLP.....	31	A806CH.....	15
A72XM3418FTCLP4.....	30	A806CHFL.....	16
A72XM4018FTCLP.....	31	A806SC.....	16
A72XM5418FTCLP.....	31	A8064CHNFSS.....	22
A72XM5418FTCLP4.....	30	A8064CHNFSS6.....	22
A72XM6618FTCLP.....	31	A808CH.....	15
A72XM7818FTCLP.....	31	A808CHFL.....	16
A72XM7824FTCLP.....	31	A808CHNF.....	15
A723018FS.....	30	A808SC.....	16
A723618FS.....	30	A84PM40.....	101
A723618SSFSN4.....	37	A84PM40G.....	101
A723624FS.....	30	A84PM78.....	101
A723624SSFSN4.....	37	A84PM78G.....	101
A724818FSD.....	30	A84XM3EW18FTCLP.....	31
A724824FSD.....	30	A84XM4EW18FTCLP.....	31
A724824SSFSN4.....	37	A84XM4018FTCLP.....	31
A726010ULP.....	34	A84XM4024FTCLP.....	31
A726012ULP.....	34	A84XM7818FTCLP.....	31
A726016ULP.....	34	A864CHQRFG.....	24
A726024FSD.....	30	A864PHC.....	26
A726024SSFSN4.....	37	A90P36F1.....	100
A726024ULP.....	34	A90P36F1G.....	100
A727210ULP.....	34	A90P48F1.....	100
A727212ULP.....	34	A90P48F1G.....	100
A727216ULP.....	34	A90P72F1.....	100
A727218FSD.....	30	A90P72F1G.....	100
A727224ULP.....	34	A90PM40.....	101
A74H6012LP3PT.....	34	A90PM40G.....	101
A74H6012SSLP3PT.....	36	A90PM78.....	101
A74H6018LP3PT.....	34	A90PM78G.....	101
A74H6018SSLP3PT.....	36	A90SMP14.....	100
A74H7212LP3PT.....	34	A90XM4018FTCLP.....	31
A74H7212SSLP3PT.....	36	A90XM7818FTCLP.....	31
A74H7218LP3PT.....	34	A90XM7824FTCLP.....	31
A74H7218SSLP3PT.....	36	A903624FS.....	30
A74H7224LP3PT.....	34	A904820FSD.....	30
A74H7224SSLP3PT.....	36	A907220FSD.....	30
A8P6.....	98	A907224FSD.....	30
A8P6G.....	98	AAA1544.....	74
A8P8.....	98	ABBLC.....	35

Catalog Number	Catalog Page	Catalog Number	Catalog Page
ABBSC.....	35	ASE10X10X6NK.....	79
ABBSV.....	35	ASE12X12X4.....	79
ABF.....	35	ASE12X12X4NK.....	79
ABL.....	35	ASE12X12X6.....	79
ABS.....	35	ASE12X12X6NK.....	79
ADP1.....	103	ASE12X12X8NK.....	79
ADP2.....	103	ASE16X16X6NK.....	79
AFK0618.....	103	ASE18X18X4NK.....	79
AFK1212.....	103	ASE18X18X6NK.....	79
AFK1216.....	103	ASE18X18X8NK.....	79
AFK2412.....	103	ASE24X24X6NK.....	79
AHE12X12X4.....	78	ASE24X24X8NK.....	79
AL12AR.....	104	ASG6X6X4.....	79
AL18.....	104	ASG6X6X4NK.....	79
ALFSWD.....	104	ASG6X6X6NK.....	79
AMOD84EPT.....	32	ASG8X8X4.....	79
AMOD84X4018FTCLP.....	32	ASG8X8X4NK.....	79
AMOD84X7818FTCLP.....	32	ASG8X8X6NK.....	79
AMOD8418BAP.....	32	ASG10X10X4NK.....	79
AMOD8418FEP.....	32	ASG12X12X4NK.....	79
AMOD8418FGK.....	32	ASG12X12X6NK.....	79
AMOD843918FTCLP.....	32	ASG16X16X6NK.....	79
AMOD847718FTCLP.....	32	ASG18X18X6NK.....	79
AP36L44.....	74	ASG24X24X6NK.....	79
AP36L88.....	74	AST44.....	75
AS050.....	102	AST88.....	75
AS050SS.....	102	ASWV44.....	75
AS075.....	102	ASWV88.....	75
AS075SS.....	102	AVDR4NM.....	102
AS100.....	102	AVDR4SS4.....	102
AS150.....	102	AXD18.....	14
AS200.....	102	C12C12.....	54
ASE6X6X4.....	79	C12C16.....	54
ASE6X6X4NK.....	79	C12C20.....	54
ASE6X6X6NK.....	79	C12C24.....	54
ASE8X8X4.....	79	C16C16.....	54
ASE8X8X4NK.....	79	C16C20.....	54
ASE8X8X6.....	79	C16C24.....	54
ASE8X8X6NK.....	79	C20C20.....	54
ASE10X10X4.....	79	C20C24.....	54
ASE10X10X4NK.....	79	C20C30.....	54





Catalog Number	Catalog Page	Catalog Number	Catalog Page
C8C12	54	CP323512	52
C8C16	54	CP354512	52
C8C8	54	CP354518	52
CCGK	53	CP3624	98
CDSC30268	13	CP3624G	98
CDSC36328	13	CP3630	98
CDSC423212	13	CP3630G	98
CDSC423812	13	CP3636	98
CDSC483812	13	CP3636G	98
CDSC603812	13	CP374012	52
CDSC603816	13	CP405012	52
CHDLK	53	CP405018	52
CKBT	53	CP4230	98
CMFK	103	CP4230G	98
CMFKSS	103	CP4236	98
CP1212	98	CP4236G	98
CP1212G	98	CP424512	52
CP1612	98	CP424518	52
CP1612G	98	CP455512	52
CP1616	98	CP455518	52
CP1616G	98	CP475012	52
CP2016	98	CP475018	52
CP2016G	98	CP4836	98
CP2020	98	CP4836G	98
CP2020G	98	CP486018	52
CP2416	98	CP525512	52
CP2416G	98	CP525518	52
CP2420	98	CP556012	52
CP2420G	98	CP556018	52
CP2424	98	CP6036	98
CP2424G	98	CP6036G	98
CP2442	98	CSD12126	10
CP2442G	98	CSD12126SS	19
CP253512	52	CSD12126SS6	19
CP3024	98	CSD161210SS	19
CP3024G	98	CSD16126	10
CP3030	98	CSD16126SS	19
CP3030G	98	CSD16128	10
CP304012	52	CSD16128SS	19
CP3060	98	CSD161610SS	19
CP3060G	98	CSD16166	10

Catalog Number	Catalog Page	Catalog Number	Catalog Page
CSD16166SS	19	CSD36248	10
CSD16168	10	CSD363010SS	19
CSD16168SS	19	CSD363012	10
CSD16208SS	19	CSD363012SS	19
CSD201610SS	19	CSD363016	10
CSD20166SS	19	CSD36308	10
CSD20168	10	CSD363610SSR	19
CSD20168SS	19	CSD363612	10
CSD202010SS	19	CSD363612SS6R	19
CSD202012	10	CSD363612SSR	19
CSD202012SS	19	CSD36368	10
CSD20206	10	CSD423012	10
CSD20206SS	19	CSD423610	10
CSD20208	10	CSD423612	10
CSD20208SS	19	CSD423612SSR	19
CSD24168	10	CSD483016	10
CSD24168SS	19	CSD483610	10
CSD242010SS	19	CSD483612	10
CSD242012	10	CSD483612SSR	19
CSD24208	10	CSD483616	10
CSD24208SS	19	CSD603612	10
CSD242410SS	19	CSD603612SSR	19
CSD242412	10	CSD603616	10
CSD242412SS	19	CTD24428	11
CSD24248	10	CTD306012	11
CSD24248SS	19	CTD364812	11
CSD24248SS6	19	CTD366012	11
CSD243010SS	19	DAH1001A	112
CSD30208	10	DAH1002A	112
CSD302410SS	19	DAH13001C	112
CSD302412	10	DAH13002C	112
CSD302412SS	19	DAH2001A	112
CSD30248	10	DAH2002A	112
CSD30248SS	19	DAH4001B	112
CSD303010SS	19	DAH4002B	112
CSD303012	10	DAH8001B	112
CSD303012SS	19	DAH8002B	112
CSD30308	10	E1PB	18
CSD30308SS	19	E1PBG	18
CSD362412	10	E1PBGSS	23
CSD362412SS	19	E1PBSS	23





Catalog Number	Catalog Page	Catalog Number	Catalog Page
E1PBX4	18	F44T148GVP	93
E1PBXM4	18	F44WG	92
E1PBXSS	23	F66G24	88
E2PB	18	F66G36	88
E2PBG	18	F66G44R	92
E2PBSS	23	F66G48	88
E2PBX4	18	F66G60	88
E2PBXM4	18	F66G72	88
E3PB	18	F66G90E	89
E3PBG	18	F66GCP	90
E3PBSS	23	F66GCPNK	90
E3PBX4	18	F66GCPNKG	94
E3PBXM4	18	F66GDB	92
E4PB	18	F66GPA	91
E4PBG	18	F66GUC	91
E4PBX4	18	F66GUCGV	94
E4PBXM4	18	F66T124GV	93
ECHC	35	F66T124GVP	93
ECHV	35	F66T136GV	93
F22G45E	89	F66T136GVP	93
F22G90E	89	F66T148GV	93
F22GCP	90	F66T148GVP	93
F22GCPNK	90	F66T172GVP	93
F22GDB	92	F88G24	88
F22GPA	91	F88G36	88
F22GUC	91	F88G45E	89
F22GUCGV	94	F88G48	88
F44G24	88	F88GCP	90
F44G36	88	F88GCPNK	90
F44G48	88	F88GCPNKG	94
F44G90E	89	F88GPA	91
F44GCP	90	F88GUC	91
F44GCPNK	90	F88GUCGV	94
F44GCPNKG	94	F88T124GV	93
F44GDB	92	F88T124GVP	93
F44GPA	91	F88T136GVP	93
F44GSH	92	F88T148GV	93
F44GUC	91	F88T148GVP	93
F44LSAG	87, 91	F1010G90E	89
F44T	89	F1010GCPNK	90
F44T124GVP	93	F1010GCPNKG	94

Catalog Number	Catalog Page	Catalog Number	Catalog Page
F1010GPA	91	G520826G050	108
F1010GUC	91	G520846G050	108
F1010GUCGV	94	G521216G050	108
F1212G36	88	G521226G050	108
F1212G48	88	G521246G050	108
F1212G90E	89	G572046G050	108
F1212GCPNK	90	GEC	35
F1212GCPNKGV	94	GEV	35
F1212GUC	91	HF0416414	111
F1212GUCGV	94	HF0424414	111
F1212T148GV	93	HF0426414	111
F4490EIN	90	HF0516414	111
F4490EOUT	90	HF0524414	111
F6690EIN	90	HF0526414	111
F8890EGV	94	HF0916414	111
F8890EIN	90	HF0924414	111
F121290EGV	94	HF0926414	111
F44BB2C	86	HF1016414	111
F44BK60	86	HF1024414	111
F44HB	85	HF1026414	111
F44L06	84	HF1316414	111
F44L12	84	HF1316424	111
F44L24	84	HF1324414	111
F44L36	84	HF1326414	111
F44L48	84	HF1326424	111
F44L60	84	HG0400404	111
F44LA	84	HG0500404	111
F44LB	86	HG0900404	111
F44LE9A	85	HG1000404	111
F44LE9C	85	HG1300404	111
F44LP	85	N170116G010	109
F44LSAG	87	N170126G010	109
F44LSGQR	87	N170146G010	109
F44WG	87	N170216G010	109
G280416G050	108	N170226G010	109
G280426G050	108	N170246G010	109
G280446G050	108	N280416G050	109
G280616G050	108	N360616G050	109
G280626G050	108	N360646G050	109
G280646G050	108	N360846G050	109
G520816G050	108	N431246G050	109





Catalog Number	Catalog Page	Catalog Number	Catalog Page
P2ABVM6FP	46	P2G1R6	45
P2ACEGP	48	P2G3R6	45
P2ADC6	47	P2G3R7	45
P2ADC8	47	P2G3R8	45
P2ADPS1	48	P2G3R9	45
P2ADRK	48	P2GARA6	45
P2ADSK	47	P2GARA8	45
P2AFRB100	46	P2GD6	41
P2AH180	47	P2GD8	41
P2AJ	48	P2K1866	40
P2AJKSB	48	P2K1886	40
P2AJSB	48	P2K20106	40
P2ALASS	49	P2K2066	40
P2ALE	49	P2K2086	40
P2APSB	47	P2K2088	40
P2B166	43	P2K2286	40
P2B168	43	P2KOD20126	40
P2B186	43	P2P186	44
P2B188	43	P2P188	44
P2BGP68G	43	P2P2010	44
P2BGP88G	43	P2P2010G	44
P2BP1106	43	P2P2012	44
P2BP1126	43	P2P206	44
P2BP166	43	P2P206G	44
P2BP168	43	P2P208	44
P2BP186	43	P2P208G	44
P2BP188	43	P2P228	44
P2C206	42	P2P228G	44
P2C208	42	P2PJ20	44
P2C228	42	P2PJ20G	44
P2CS186	42	P2PJ22	44
P2CS206	42	P2PJ22G	44
P2CS208	42	P2PSM206	45
P2CS226	42	P2PSM208	45
P2CS228	42	P2PSM228	45
P2D206	41	P2RA19S20	46
P2D208	41	P2RA19S22	46
P2D228	41	P2RA19T20	46
P2F2068	41	P2RA19T22	46
P2F2088	41	P2T68	42
P2F2288	41	P2T88	42

Catalog Number	Catalog Page	Catalog Number	Catalog Page
PLM13N17.....	110	S2MPBS.....	70
PLM28G28.....	110	S2MRB.....	71
PLM28N17.....	110	S2MRL.....	65
PUHKA.....	75	S2MSJ.....	73
Q1PBPCDM.....	27	S2MT1000.....	64
Q1612PD.....	101	S2MT1250.....	64
Q16129PCD.....	26	S2MT1500.....	64
Q88PD.....	101	S2MT1750.....	64
Q889PCD.....	26	S2MT2000.....	64
S1MA.....	56	S2MT250.....	64
S1ME.....	56	S2MT500.....	64
S1MER.....	57	S2MT750.....	64
S1MFC.....	57	S2MTA.....	65
S1MFEC.....	58	S2MTHP.....	65
S1MIJ.....	58	S2MWF.....	72
S1MPCH.....	59	S2MWJH.....	73
S1MPCV.....	59	S2MWJV.....	72
S1MRE.....	60	SITEL.....	35
S1MRL.....	60	SITES.....	35
S1MSJ.....	61	SQDC.....	35
S1MSLAR.....	61	SQDV.....	35
S1MT1000.....	55	T150116G100.....	110
S1MT1250.....	55	T150116G150.....	110
S1MT1500.....	55	T200216G100.....	110
S1MT250.....	55	T200216G150.....	110
S1MT500.....	55	T200226G100.....	110
S1MT750.....	55	UBP.....	35
S1MTBB.....	62	WAMT.....	35
S1MWF.....	62	WAMTF.....	35
S1MWJH.....	63	WS161208SS.....	21
S1MWJV.....	63	WS161608SS.....	21
S2MAA.....	66	WS201608SS.....	21
S2MACF.....	66	WS202008SS.....	21
S2MBC.....	67	WS242408SS.....	21
S2ME.....	67	WS242412SS.....	21
S2MER.....	68	WS302412SS.....	21
S2MFC.....	68	WS303008SS.....	21
S2MFEC.....	69	WS363012SS.....	21
S2MIJ.....	69	WS363612SS.....	21
S2MLSAR.....	70	WS483616SS.....	21
S2MPBL.....	71	WS603616SS.....	21





Product Description	Catalog Page	Product Description	Catalog Page
90-Degree Elbow	89	Continuous Hinge with Clamps, Type 12.....	15
90-Degree Elbow, Galvanized	94	Continuous Hinge with Clamps, Type 4.....	15
90-Degree Elbow - Inside Opening	90	Continuous Hinge with Clamps, Type 4X	20
90-Degree Elbow - Outside Opening	90	Continuous-Hinge with Clamps, Type 4X	22
180-Degree Hinge Kit.....	47	Continuous Hinge with Quarter-Turn Latch, Type 4.....	16
19-Inch Rack Angles	46	Door Bar Grid Straps	41
30.5-mm and 22.5-mm Pushbutton Enclosures, Type 4X	23	Door Stop Kit	47
90-Degree Angle Sealing Plate.....	87	Door Support Roller Kit	48
90-Degree Elbows	85	Drop and Bracket Hangers	92
Accessory Handle Kit.....	53	Dust Cover	47
Adjustable Rack-Mounting Rails	45	Easy Swap Adaptor Plenums For Air Conditioners.....	110
Angle Adapter.....	74	Elbow	56, 67
Angled Adapter, Stepless 30 Degrees.....	66	Electric Heaters.....	112
Angled Coupling Tilted Forward.....	66	Extra-Deep Pushbutton Enclosures, Type 4.....	18
Barrier Kit, Bolt-On.....	86	Fastener Packages	46
Barrier Kits, Bracket-Mounted	86	Flange Coupling	57, 68
Base Coupling	67	Flange Elbow Coupling	58, 69
Blank Adapter Plate	35	Floor Stand Kit.....	103
Bolt-Down Pedestal.....	74	Frame Joining Kits	48
Box Connector.....	86	Frame Reducing Brackets.....	46
Bracket Hanger.....	85	Frames.....	41
Cable Entry Gland Plate	48	Free-Stand Disconnect with Quick-Release Continuous Hinge, Type 4	30
Clamp Kits	104	Free-Stand, Type 12, Single or Dual Access	30
Closure Plate	85, 90	Free-Stand, Type 4 with 3-Point Latch	32
Closure Plate, Galvanized	94	Free-Stand, Type 4X, Single and Dual Access	37
Concept HMI, Type 4.....	52	Full Subpanel (Rear or Side)	44
Concept Panels	98	Fully-Sealed Plinth Base	43
Concept Single-Door, Type 4 and 12	10	Gasket and Screws	87
Concept Two-Door, Type 4 and 12	11	Gasket and Screws, Feed-Through	92
Concept, Type 4X	19	Gland Plate	43
Continuous Hinge Two-Door with Handle, Type 12	12	Grid Strap Network (Rail System)	45
Continuous Hinge, Type 4X	24	Grounding Kit.....	53
Continuous Hinge with 3-Point Latch, Type 4	12	H2omit Vent Drains, Type 4X.....	103
Continuous Hinge with 3-Point Latch, Type 4X.....	21	Handles.....	75
Continuous Hinge with Clamps LP, Type 12	11	Heavy-Duty Free-Stand Disconnect Enclosure, Type 12.....	31
Continuous Hinge with Clamps LP, Type 4	12		

Product Description	Catalog Page	Product Description	Catalog Page
HF Side-Mount Filter Fans	111	Qline D Panels	101
Hinge-Cover with Quick-Release Latches, Type 4X.....	24	Qline D Pushbutton, Type 4X.....	27
Hinged-Cover Type 1.....	78	Qline D, Type 4X.....	26
Hol-Sealers Hole Seals	102	Quick-Release Flat Sealing Plate	87
Horizontal Panel Coupling.....	59	Reducer.....	92
Horizontal Wall Joint.....	63, 73	Reduction Elbow	60
Industrial Packages, Type 12	40	Remote Door Switch	104
Intermediate Joint.....	58, 69	Rotary Base	62, 71
Joining Subpanel.....	44	Rotatable Elbow	57, 68
Keyboard Tray.....	53	Rotation Limiter.....	60
Keyed Cylinder Lock Kits	104	Rotation Limiters.....	65
Large Pedestal Base	71	Screw Cover, Contoured, Type 4.....	17
Lay-In Painted Flat-cover Wireway, NEMA Type 1	88	Screw-Cover Drip-Shield, Type 3R	81
Lay-In Wireway, NEMA Type 1	88	Screw-Cover, Gasketed, Type 3	80
Lay-In Wireway, NEMA Type 12	84	Screw-Cover, Type 1	79
Lifting Angles	49	Screw Cover, Type 12.....	16
Lifting Eyes	49	Sealing Plate, 90-Degree Angle, Lay-in Hinged-Cover.....	91
Light Signal Adapter.....	70	Set-up Joint	61
Medium, Type 1	78	Set-Up Joint.....	73
Mild Steel Consoles.....	54	Side Cover.....	42
Mild Steel Sequestr External Disconnect Enclosure, Type 12....	14	Side-Mount Panel.....	45
Modular Disconnect Enclosure, Type 12	32	Signal Light Adapter.....	61
Mounting Bracket Kits	103	Small Drip-Shield Hinged-Cover, Type 3R	80
Narrow Adapter.....	56	Small Pedestal Base.....	70
Operator Adapters.....	35	Solid Cover (Front or Rear).....	42
Panel Adapter.....	91	Solid Doors (Single or Overlapping Double)	41
Panel for Free-Stand Enclosure with Mounting Stud.....	101	Solid Top.....	42
Panels for free-stand enclosures with mounting channel.....	100	SpectraCool Compact Indoor.....	109
Panels for Junction Boxes.....	98	SpectraCool Indoor.....	108
Panels for Type 3R, 4, 4X, 12 and 13 Enclosures	99	SpectraCool Narrow Indoor.....	109
Panel Support Bracket.....	47	Steel Data Pocket.....	48
Pedestals.....	74	Straight Section.....	84, 93
Pedestal with Legs.....	74	Straight Section, Galvanized.....	93
Plinth Base.....	43	Straight Section, Non-Hinged	88
Polypro, Type 4X.....	26	Straight Section, Painted	93
Pushbutton Enclosures, Type 12.....	18	Support Hanger.....	92





Product Description	Catalog Page
Sweep Tee	89
Swivel.....	75
Swivel Tilt.....	75
Syspend 180-Max Suspension System, Type 12.....	55
Syspend 281-Max Suspension System, Type 12.....	64
Telescope Fitting, Lay-In	84
Thermoplastic Data Pocket.....	103
T-Series Compact Outdoor	110
Tube Adapter.....	65
Tube Hole Plugs	65
Tubes	55, 64
Two-Door with 3-Point Latches, Type 4X.....	36
Two-Door with Floor Stands and 3-Point Latch, Type 12.....	34
Two-Door with Floor Stands and 3-Point Latch, Type 4.....	34
Two-Door with Floor Stands Disconnect Enclosure, Type 12.....	33
Universal U-Connector	91
Universal U-Connector, Galvanized	94
Vertical Panel Coupling	59
Vertical Wall Joint	63, 72
Wall Flange	62, 72
Wall-Mount Disconnect Enclosure With Handle, Type 12.....	13
Wiring Trough, Screw-Cover NEMA Type 3R	95

Product Description	Catalog Page
---------------------	--------------

North America

Minneapolis, MN Tel: +1.763.421.2240

Mexico, D.F. Tel +52.55.5280.1449

Toronto, Canada Tel: +1.416.289.2770

South America

Sao Paulo, Brazil Tel: +55.11.5184.2100

Boitura, Brazil Tel: +55.15.3363.9148

Europe

Betschdorf, France Tel: +33.3.88.90.64.90

Straubenhardt, Germany Tel: +49.7082.794.0

Dzierzoniow, Poland Tel: +48.74.64.63.900

Lainate, Italy Tel: +39.02.932.7141

Middle East & India

Dubai, United Arab Emirates Tel: +971.4.378.1700

Bangalore, India Tel: +91.80.6715.2001

Asia

Shanghai, P.R. China Tel: +86.21.2412.6943

Singapore Tel: +65.6768.5800

Shin-Yokohama, Japan Tel: +81.45.476.0271

Seoul, Korea Tel: +82.2.2129.7755

Qingdao Tel: +86.532.8771.6101

Our powerful portfolio of brands:

CADDY ERICO HOFFMAN RAYCHEM SCHROFF TRACER



[nVent.com/HOFFMAN](https://www.nVent.com/HOFFMAN)