

Test report

N°405

DUT type:	FRAME 2000H 800W 1200D	Test date:	19/05/2020
DUT p/n:	24630-020	Firmware:	N/A
DUT s/n:	N/A	Test also applies to p/n:	
Test item: <input type="text" value="Castor for a frame mounting."/>			
Results: <input checked="" type="checkbox"/> PASS <input type="checkbox"/> FAIL <input type="checkbox"/> MIXED			
Document history:			
Revision	Date	Author	Description of changes
1.0	16/06/2020	J-Luc Hoffmeyer	Initial release
2.0	05/08/2021	J-Luc Hoffmeyer	Add released castor drawing



Information about producer:
Schroff SAS
F-67660 Betschdorf
nvent.com/SCHROFF

The details in this manual have been carefully compiled and checked.
Schroff SAS cannot accept any liability for errors or misprints. The company reserves the right to amend this technical specification due to additional development and improvement of product.
Copyright © 2018

List of contents

- 1 Test purpose3**
- 2 Description of the test3**
 - 2.1 Static strength test..... 3
 - 2.2 Internal dynamic threshold test & Internal dynamic test.....3
 - 2.3 Determination of the required force to move the cabinet.....4
 - 2.4 Loading x4..... 4
- 3 Test Setup4**
 - 3.1 Test resources/equipment 4
 - 3.2 Test object..... 4
- 4 Results5**
 - 4.1 Static strength test.....5
 - 4.2 Internal dynamic threshold test & Internal dynamic test.....5
 - 4.3 Determination of the required force to move the cabinet.....5
 - 4.4 Loading x4.....5
- 5 Conclusion.....5**

1 Test purpose

In order to release a Varistar CP casters Kit, we checked the compliance of castor according our internal test method. All the tests were made for castor Kit with max. loading capacity of 900 Kg.

2 Description of the test

2.1 Static strength test

Cabinet or castor kit nominal loading + 25%

Nominal = 1000Kg, => loading for the test =1250Kg

The cabinet must be loaded during 120 hours.

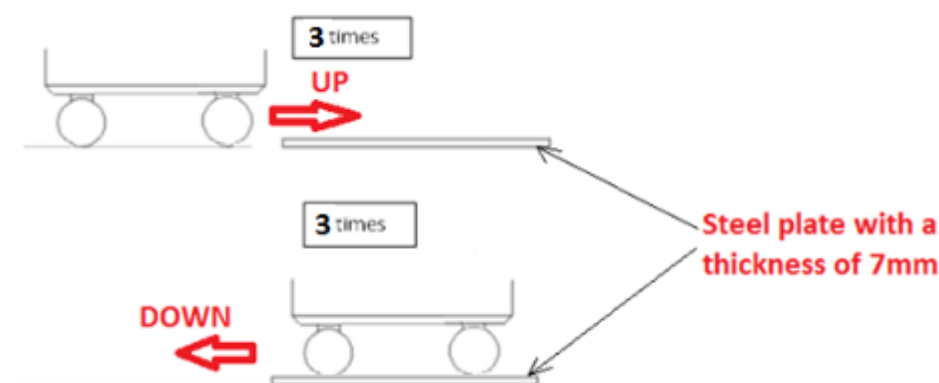
⇒ Acceptance criteria: no damages or deformation on the casters or structure

2.2 Internal dynamic threshold test & dynamic test

Cabinet or castor kit nominal loading + 25%

Nominal = 1000Kg, => loading for the test =1250Kg

- The cabinet must go down from a 7mm high plate at least 3 times
- The cabinet must go up the same 7mm high plate at least 3 times
- Testing been trailed in our industrial hall on 750 meters, speed 0,4 m/s (surface is well, no irregularities)



Testing been trailed in our industrial hall on 750 meters, speed 0,4 m/s (surface is well, no irregularities)

⇒ Acceptance criteria: no damages or deformation on the casters or cabinet structure

2.3 Determination of the required force to move the cabinet:

- by pulling the cabinet on Industrial floor

2.4 Loading test x4

Push on the cabinet to simulate a heavy weight who is into the cabinet.

As the maximum loading capacity of the casters Kit 1000 kg, we need to push with a force of 4000kg (4x rated load),

The force of 4000 kg needs to be apply for a period of one 1 min

3 Test Setup

3.1 Test resources/equipment

- a lift truck
- loads (still plates in transportation box)
- slings (ropes, belts, chains, etc...)
- 7mm plate
- AEP loading cell TCETM 100KN for compression and tension
- Handheld indicator with wireless communication
- Testing frame work facility (Banc de test)

3.2 Test object

- Varistar CP frame 42U 800W 1200D
- Casters: **24630-020**

4 Results:

- 4.1 Static strength test:test passed
- 4.2 Internal threshold & dynamic test: test passed
- 4.3 Determination of the required force to move the cabinet:
 - by pulling the cabinet on Industrial floor.....30kg -80kg
(depending the casters positions)

- 4.4 Loading x4test passed
(with a Σ of 4019Kg applied during 1 min)

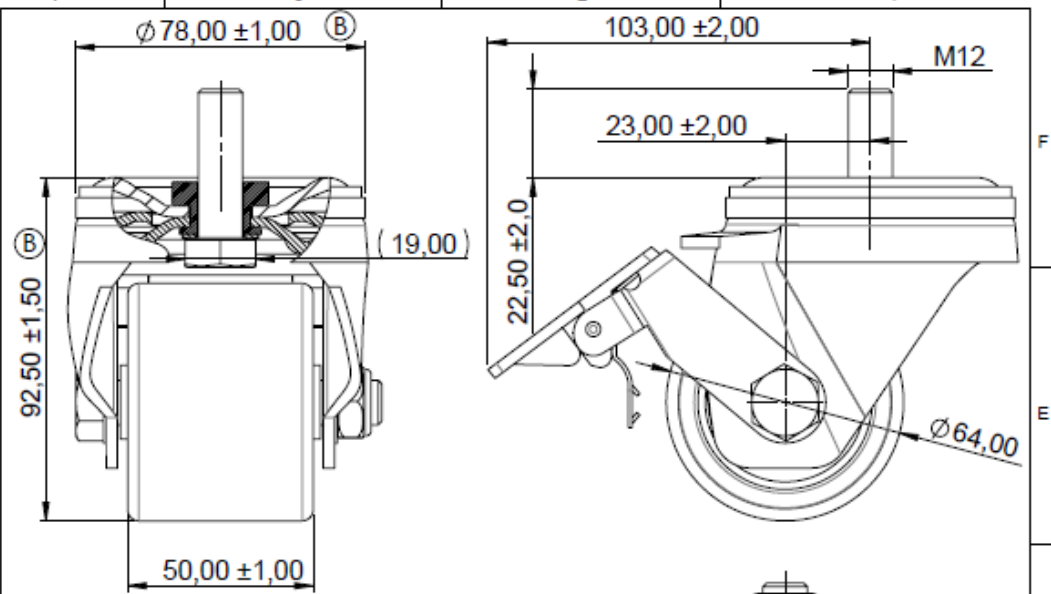
5 Conclusion

Castor Kit 24630-020 released for 900Kg

last save
24.09.2020

The reproduction, distribution and utilization of this document as well as the communication of its contents to others without express authorization is prohibited. Offenders will be held liable for the payment of damages. All rights reserved in the event of the grant of a patent, utility model or design.

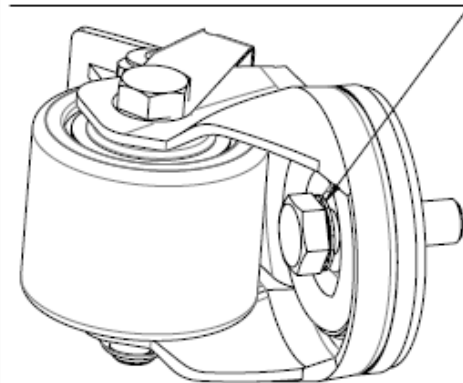
Toute communication ou reproduction de ce document, toute exploitation ou communication de son contenu sont interdites, sauf autorisation expresse. Tout manquement à cette règle est illicite et expose son auteur au versement de dommages et intérêts. Tous droits réservés pour le cas de la délivrance d'un brevet, d'un modèle d'utilité ou d'un modèle de présentation.



Vis à tête hexagonale M12x40 DIN933
Clé de 19, qualité 8.8, zingué blanc
Hexagonal head screw M12x40 DIN933
Wrench size 19, quality 8.8, zinc plated blue

+

Rondelle frein DIN 6798 forme J (B)
Tooth lock washer DIN 6798 form J (B)



- * Charge dynamique 300Kg
Dynamic loading capacity 300Kg
- * Corps traité cataphorèse noire
Body treatment electrophoresis black
- * Matière roue nylon noir
Wheel material Nylon black
- * Roue sur roulements à billes
Wheel with ball bearings

Utilisation initiale / Initial use: VARISTAR		Echelle / Scale: 1:1.5	Surface / Surface: 96524.55 mm ²	Volume / Volume: 252609.17 mm ³	Masse / Mass: 975.00 g
Matière / Material: [A002]: voir le texte / see notes					
Pièce de base / Basic-part: Epaisseur / Thickness: NA					
Libérer / Approved: 15.06.2020	HOFFMEYER	Designation: ROULETTE FREIN		Tolérance générale / General Tolerance: ISO 2768-mK	
Norme / Conformity:		Titre / Title: CASTOR WITH BRAKE		Cotes / Dimensions in mm: 0.5 x X ± 3 mm ±0.1 mm	
Vérifier / Checked: 15.06.2020		Tab. variants:		3 x X ± 5 mm ±0.1 mm	
Dessiner / Drawn: 15.06.2020		Tab. variants:		6 x X ± 50 mm ±0.3 mm	
Index Rev: B		ECO-No: ECO-277397		30 x X ± 120 mm ±0.3 mm	
Date: 23.09.2020		Nom: HOFFMEYER		120 x X ± 400 mm ±0.5 mm	
				400 x X ± 1000 mm ±0.5 mm	
				1000 x X ± 2000 mm ±1.2 mm	
print 29.09.2020		No du plan / Drawing no: 61130-164_BET		Dimensions en mm / Dimensioning in mm: nvent	
		Modèle 3D / 3D-Model: 61130-164_BET		Page Sheet: 1/1	
		Std Origin Item: 61130-164_BET		SCHROFF	