

nVent CADDY CATHPM Modular Clip Rod, Wire, and Nail Assemblies

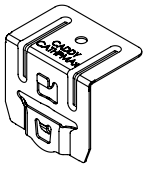


Fig. 1a



Fig. 2

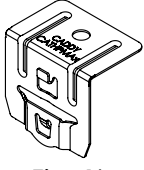


Fig. 1b

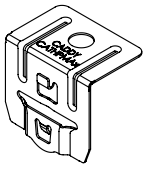


Fig. 1c

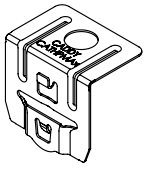


Fig. 1d

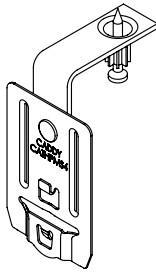


Fig. 3
(Note 2&3)

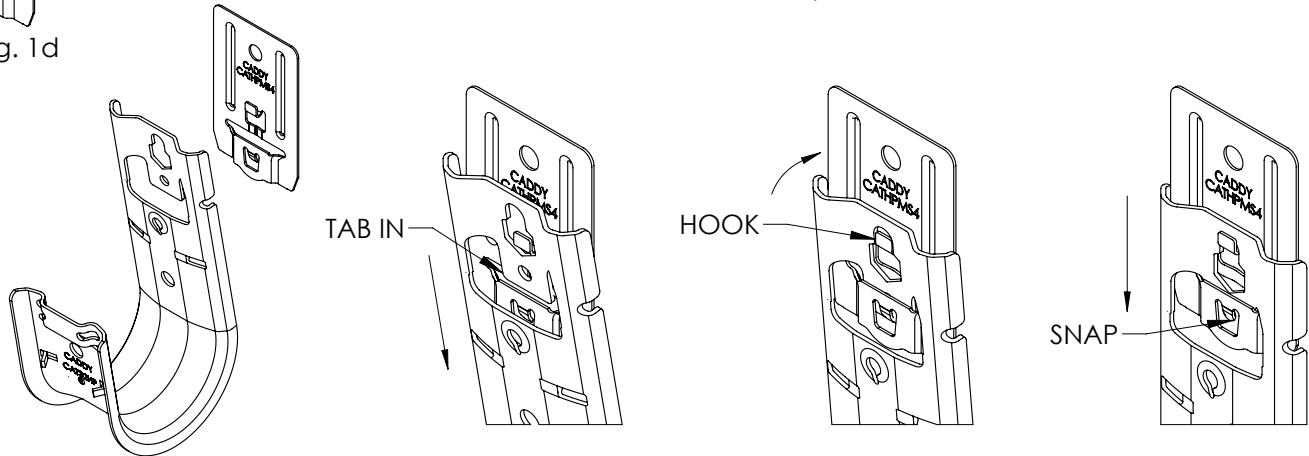


Fig. 4

Part Number	Article Number	Fig No.	Description	Load Rating (Note 1)	
				LB	N
CATHPMAN	186070	1a	Angle Bracket With Hole For 3/16" [5mm] Fastener (Note 2)	160	712
CATHPMA4	186071	1b	Angle Bracket With Hole For 1/4" [6mm] Fastener	200	890
CATHPMA6	186072	1c	Angle Bracket With Hole For 3/8" [10mm] Fastener	200	890
CATHPMA8		1d	Angle Bracket With Hole For 1/2" [12mm] Fastener	200	890
CATHPMS4	186073	2	Straight Bracket With Hole For 1/4" [6mm] Fastener	200	890
CATHPMABSF		3	Angle Bracket With Powder Actuated Drive Pin (Note 3)	60	267
CATHPM4Z34	186082	4	Multi-Function Clip, 1/4"-3/8" Rod, #12-#8 Wire, 1/8"-3/8" Flange	SEE CFS116	
CATHPM8Z34		4	Multi-Function Clip, 1/2"-5/8" Rod		

NOTES

1. Lowest load rating of the J-Hook or Modular Clip Assembly shall apply
2. Consult fastener manufacturer for fastener load rating and use lower value
3. Uses Dewalt Anchors and Fasteners Part number 50032-PWR. For minimum fastener embedment depths in steel or concrete, please consult www.anchors.dewalt.com



ATTACH J-HOOK TO MODULAR CLIP BEFORE INSTALLING ON STRUCTURE

WARNING:

1. nVent products shall be installed and used only as indicated in nVent product instruction sheets and training materials. Instruction sheets are available at www.nVent.com and from your nVent customer service representative.
2. nVent products must never be used for a purpose other than the purpose for which they were designed or in a manner that exceeds specified load ratings.
3. All instructions must be completely followed to ensure proper and safe installation and performance.
4. Improper installation, misuse, misapplication or other failure to completely follow nVent's instructions and warnings may cause product malfunction, property damage, serious bodily injury and/or death, and void your warranty.
5. Products that are manufactured using spring steel components shall be used only in a non-corrosive indoor environment.
6. All pipe supports, hangers, intermediate components and structural attachments must ONLY be used as described herein and are NEVER to be used for any other purpose.

NOTE: All load ratings are for static conditions and do not account for dynamic loading such as wind, water or seismic loads, unless otherwise noted.

The customer is responsible for:

- a. Conformance to all governing codes.
- b. The integrity of structures to which the products are attached, including their capability of safely accepting the loads imposed, as evaluated by a qualified engineer.
- c. Using appropriate industry standard hardware as noted above.

SAFETY INSTRUCTIONS:

All governing codes and regulations and those required by the job site must be observed. Always use appropriate safety equipment such as eye protection, hard hat, and gloves as appropriate to the application.

nVent, nVent CADDY, nVent ERICO Cadweld, nVent ERICO Critec, nVent ERICO, nVent ERIFLEX, and nVent LENTON are owned by nVent or its global affiliates. All other trademarks are the property of their respective owners. nVent reserves the right to change specifications without prior notice.

Example Installations of CATHPM (Modular Clip) With CATHP (J-Hook)

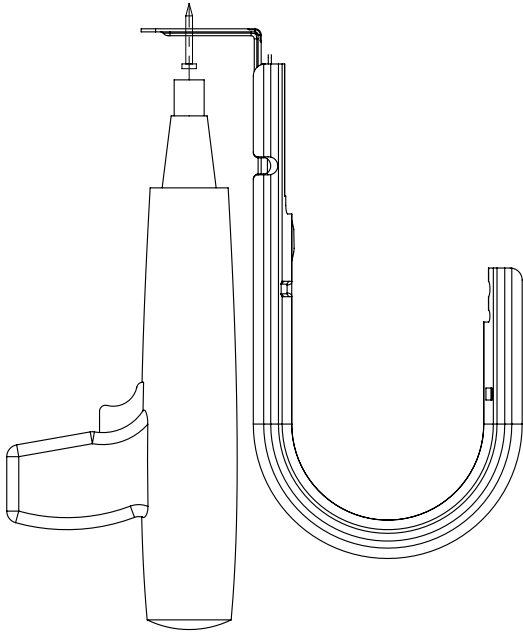


Fig. 1a
See Note 1

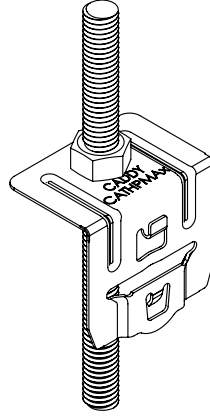


Fig. 1b, 1c

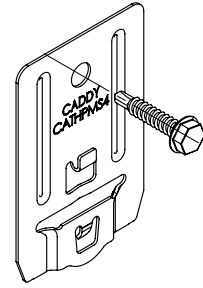


Fig. 2

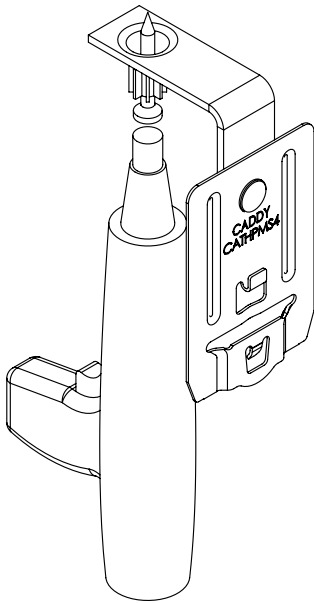


Fig. 3
(Note 2&3)

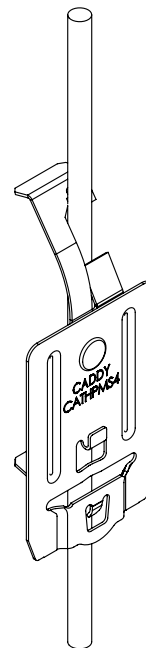


Fig. 4