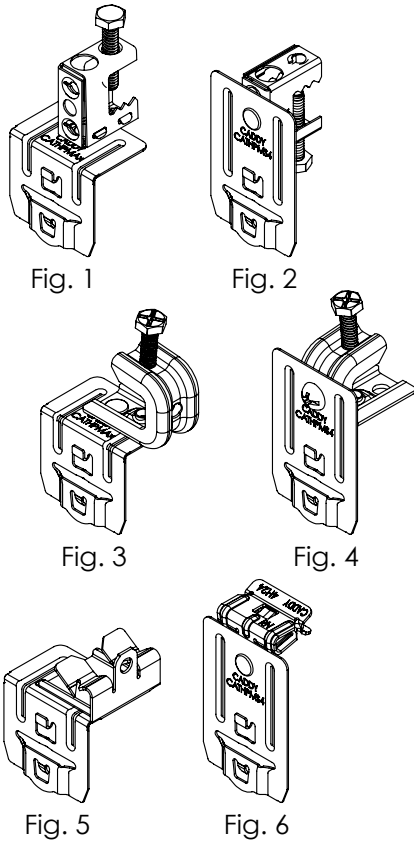


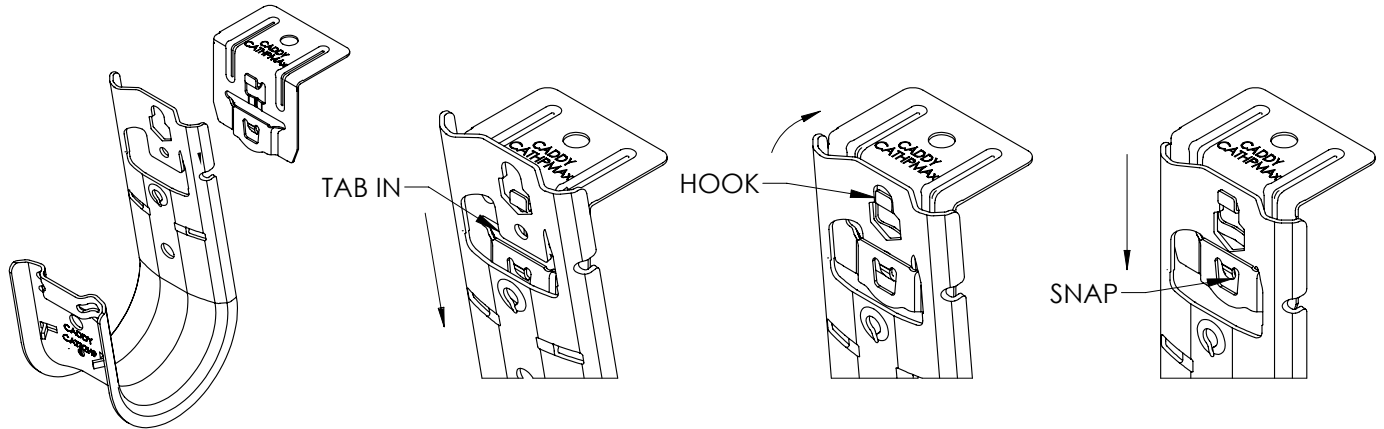
# nVent CADDY CATHPM Modular Clip Beam Mounting Assemblies



Part Number	Article Number	Fig No.	Description	Load Rating (Note 1)	
				LB	N
CATHPMBCB	186079	1	Beam Clamp, 1/8 [3.2mm] thru 1/2" [12.7mm] Flange; Bottom Mount	60	267
CATHPMBC	186078	2	Beam Clamp, 1/8 [3.2mm] thru 1/2" [12.7mm] Flange; Side Mount	100	445
CATHPMBC200B		3	Beam Clamp, 1/8 [3.2mm] thru 5/8" [15.9mm] Flange; Bottom Mount	100	445
CATHPMBC200		4	Beam Clamp, 1/8 [3.2mm] thru 5/8" [15.9mm] Flange; Side Mount	100	445
CATHPM24	186075	5	Hammer-On Flange Clip 1/8" [3.2mm] to 1/4" [6.4mm]; Bottom Mount	75	334
CATHPM58	186076	5	Hammer-On Flange Clip 5/16" [8mm] to 1/2" [12.7mm]; Bottom Mount	75	334
CATHPM912	186077	5	Hammer-On Flange Clip 9/16" [14.3mm] to 3/4" [19mm]; Bottom Mount	75	334
CATHPM24SM		6	Hammer-On Flange Clip 1/8" [3.2mm] to 1/4" [6.4mm]; Side Mount	200	890
CATHPM912SM		6	Hammer-On Flange Clip 9/16" [14.3mm] to 3/4" [19mm]; Side Mount	200	890
CATHPM58SM		6	Hammer-On Flange Clip 5/16" [8mm] to 1/2" [12.7mm]; Side Mount	200	890

**NOTES**

1. Lowest load rating of the J-Hook or Modular Clip Assembly shall apply
2. Tighten beam clamps to 20 in-lb [2.26Nm] torque
3. For Bottom Mount Assemblies, Fig 3 and 5, assemble to J-Hook before rotating beam clamp or hammer-on clip



**ATTACH J-HOOK TO MODULAR CLIP BEFORE INSTALLING ON STRUCTURE**

**WARNING:**

1. nVent products shall be installed and used only as indicated in nVent product instruction sheets and training materials. Instruction sheets are available at [www.nVent.com](http://www.nVent.com) and from your nVent customer service representative.
2. nVent products must never be used for a purpose other than the purpose for which they were designed or in a manner that exceeds specified load ratings.
3. All instructions must be **completely** followed to ensure proper and safe installation and performance.
4. Improper installation, misuse, misapplication or other failure to completely follow nVent's instructions and warnings may cause product malfunction, property damage, serious bodily injury and/or death, and void your warranty.
5. Products that are manufactured using spring steel components shall be used only in a non-corrosive indoor environment.
6. All pipe supports, hangers, intermediate components and structural attachments must **ONLY** be used as described herein and are **NEVER** to be used for any other purpose.

NOTE: All load ratings are for static conditions and do not account for dynamic loading such as wind, water or seismic loads, unless otherwise noted.

The customer is responsible for:

- a. Conformance to all governing codes.
- b. The integrity of structures to which the products are attached, including their capability of safely accepting the loads imposed, as evaluated by a qualified engineer.
- c. Using appropriate industry standard hardware as noted above.

**SAFETY INSTRUCTIONS:**

All governing codes and regulations and those required by the job site must be observed. Always use appropriate safety equipment such as eye protection, hard hat, and gloves as appropriate to the application.

nVent, nVent CADDY, nVent ERICO Cadweld, nVent ERICO Critec, nVent ERICO, nVent ERIFLEX, and nVent LENTON are owned by nVent or its global affiliates. All other trademarks are the property of their respective owners. nVent reserves the right to change specifications without prior notice.

Example Installations of CATHPM (Modular Clip) With CATHP (J-Hook)

