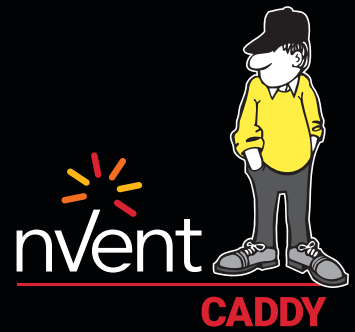


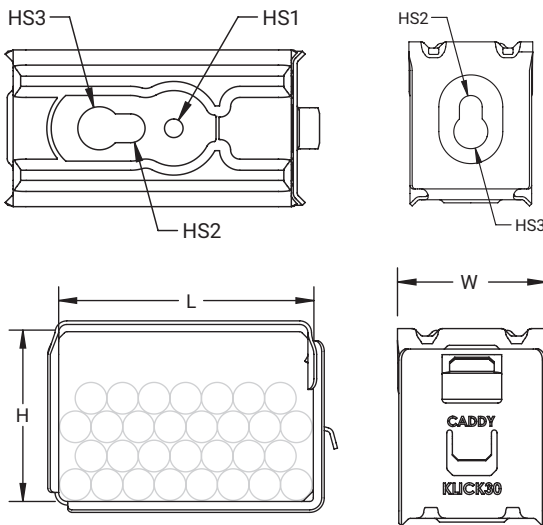
nVent CADDY Fire-Rated Cable Holder, Metal



CONNECT AND PROTECT



nVent CADDY Fire-Rated Cable Holder, Metal is a versatile bracket designed to support medium-sized cable bundles in crowded spaces, such as above suspended ceilings. Compatible with traditional anchoring and direct fastening for both wall and ceiling mounts, it presents a unique, tool-free closing mechanism that can be operated safely from the ground without a ladder or lift—ultimately saving contractors time on the job. Featuring a short profile design and compliance to DIN 4102-12, this cable holder is an ideal solution for electrical and datacom applications.



FEATURES

- E30-E90 classification according to DIN 4102-12
- Compatible with direct fastening and traditional anchoring
- Requires only one nail per holder
- Reusable in case of nail misfire
- Unique closing mechanism which can be safely operated from the ground
- Rounded edges help prevent cable damage
- Ready to use out of the box
- Made of 100% recyclable materials



Fire Rating

E30, E60 and E90 Fire Rating for Power and Data Cables.

Scan the QR code for more details



Finish: Pregalvanized
Material: Steel

Catalog Number	Article Number	Hole Size 1 HS1	Hole Size 2 HS2	Hole Size 3 HS3	Length L	Height H	Width W	Cable Capacity	Standard Packaging Qty
KLICK15	182061	4.8 mm	7.4 mm	11 mm	51 mm	42 mm	40 mm	15	50
KLICK30	182062	4.8 mm	7.4 mm	11 mm	70 mm	47 mm	40 mm	30	50



Our powerful portfolio of brands:

CADDY ERICO HOFFMAN RAYCHEM SCHROFF TRACER