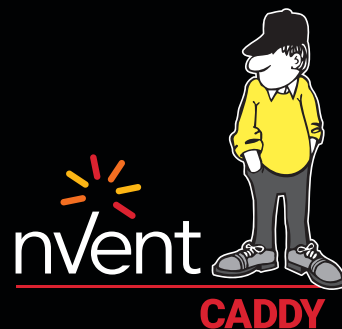


nVent CADDY Speed Link Light Pack

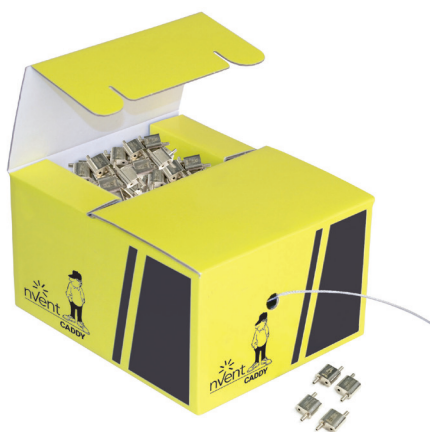


CONNECT AND PROTECT

The nVent CADDY Speed Link Light Pack is a light-duty rope system with an ultra-low-profile locking device, with an aesthetic polished finish and a 10-kilogram load rating, ideal for supporting and securing lighting and signage.



NVENT CADDY SPEED LINK LIGHT PACK SPOOL KIT



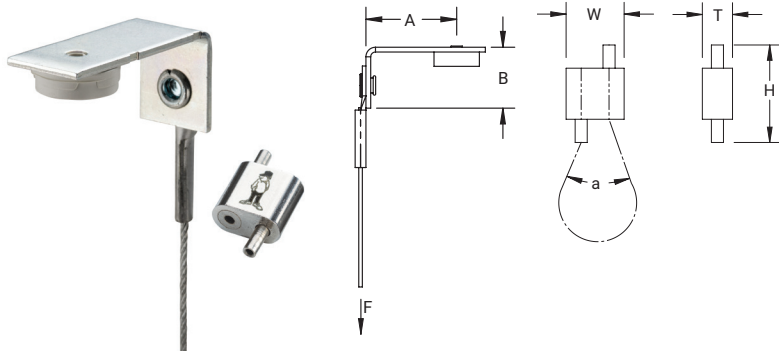
Features

- Kit includes spool of nVent CADDY Speed Link steel wire and nVent CADDY Speed Link CLP locking devices
- Wire spool and locking devices are packaged together, simplifying transportation to the jobsite and reducing inventory
- Packaging allows end-users to pull and cut any length of wire that is needed without having to take the spool out of the box
- Ideal for rework and installations where custom lengths of wire may be needed
- Wire rope constructed from one bundle of nineteen strands each of steel aircraft wire
- Keyless release allows easy adjustments
- Low-profile locking device minimizes visual impact
- Keyless release tubes are easy to operate while wearing gloves
- Double-sided locking mechanism enables simple height adjustment

Material: Steel, Brass
Finish: Electrogalvanized

Part Number	Article Number	Wire Rope Diameter	Length	Number of Locking Devices
CLP1L500PACK	196095	1 mm	150 m	100

NVENT CADDY SPEED LINK LIGHT PACK WITH NAIL GUN BRACKET



Features

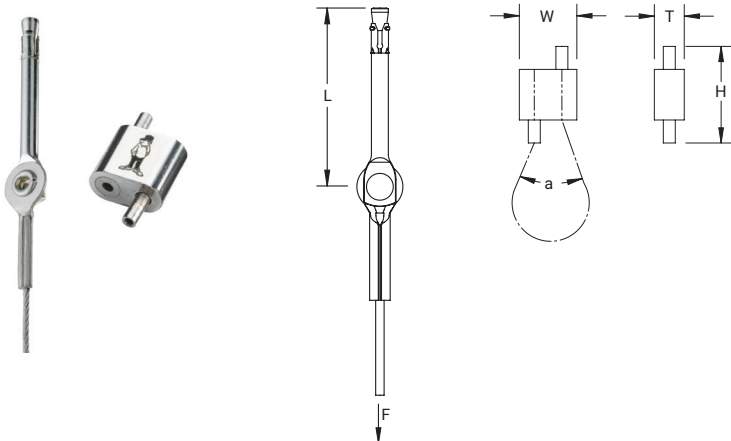
- Complete system includes wire, locking device and concrete nail gun insert bracket
- Clips onto nozzle of gas or battery-actuated nail guns allowing for hands-off installation at structure or from the floor using a pole
- Longer leg angle bracket for tool clearance
- Quickly and easily attaches to concrete, steel or composite metal decking

Static Load Safety Factor: 5:1
 Material: Steel; Brass
 Finish: Electrogalvanized

Part Number	Article Number	Wire Rope Diameter	Wire Rope Length	A	B	Thickness T	Width W	Height H	Angle a	Static Load F
CLP1L1GBSF	196091	1 mm	1 m	38 mm	25.5 mm	6.5 mm	12.5 mm	21 mm	60°	100 N
CLP1L2GBSF	196092	1 mm	2 m	38 mm	25.5 mm	6.5 mm	12.5 mm	21 mm	60°	100 N

Static Load represents the static load of the nail gun insert assembly. Please consult with the nail manufacturer to evaluate the static load of the nail and type of concrete used for the installation. Maximum load is the lesser of the static load from the nail manufacturer or the published load for the assembly. Nail gun insert is compatible with BeA® CN60-688ES, Hilti® BX 3, GX 3, DEWALT® Trak-It C3, SPIT® PULSA 40E, 800E, 700, 1000 or equivalent nailers.

NVENT CADDY SPEED LINK LIGHT PACK WITH WEDGE ANCHOR



Features

- Complete system includes wire, locking device and wedge anchor from Powers Fasteners, Inc.
- Quickly and easily attaches into cracked and non-cracked concrete
- No special tools required

Static Load Safety Factor: 5:1
 Material: Steel; Brass
 Finish: Electrogalvanized

Part Number	Article Number	Wire Rope Diameter	Wire Rope Length	Length L	Height H	Width W	Thickness T	Angle a	Static Load F
CLP1L1WA6	196093	1 mm	1 m	63.5 mm	21 mm	12.5 mm	6.5 mm	60°	100 N
CLP1L2WA6	196094	1 mm	2 m	63.5 mm	21 mm	12.5 mm	6.5 mm	60°	100 N

Drill Bit Diameter: 6 mm | Drill Hole Depth: 60 mm | Embedment Depth: 55 mm min



Our powerful portfolio of brands:

CADDY ERICO HOFFMAN ILSCO RAYCHEM SCHROFF