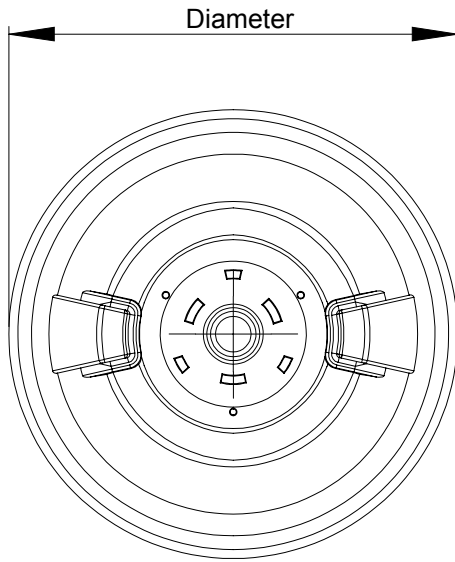
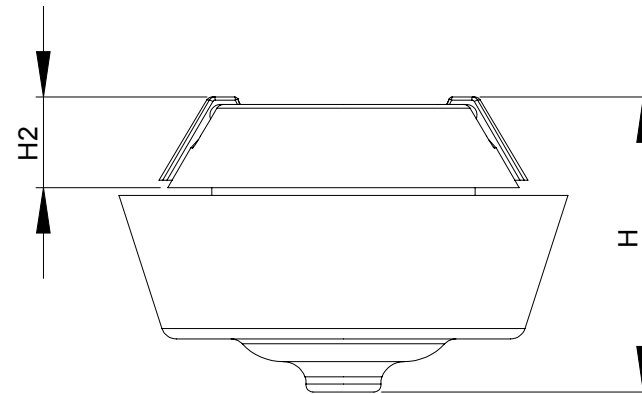


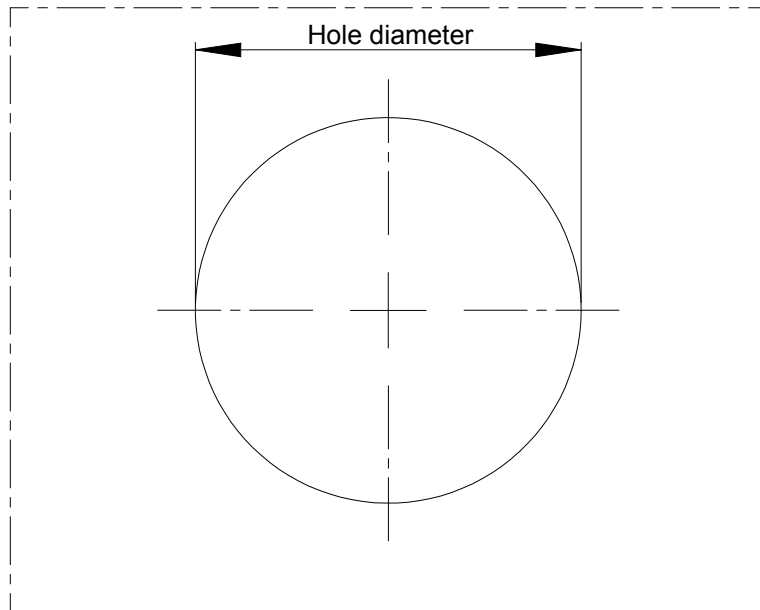
Front view



Side view



Cut-out



Metric	Cable diameter (mm)	Diameter * (mm)	Hole diameter (mm)	H (mm)	H2 (mm)	Item n°
M20	7-11	29.3-34.5	20.5	17-20	5.5	CAG20
M25	7-13	34.3-40.0	25.5	17-20	5.7	CAG25

* Varies depending on the thickness of material installed in.