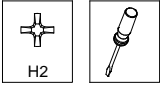
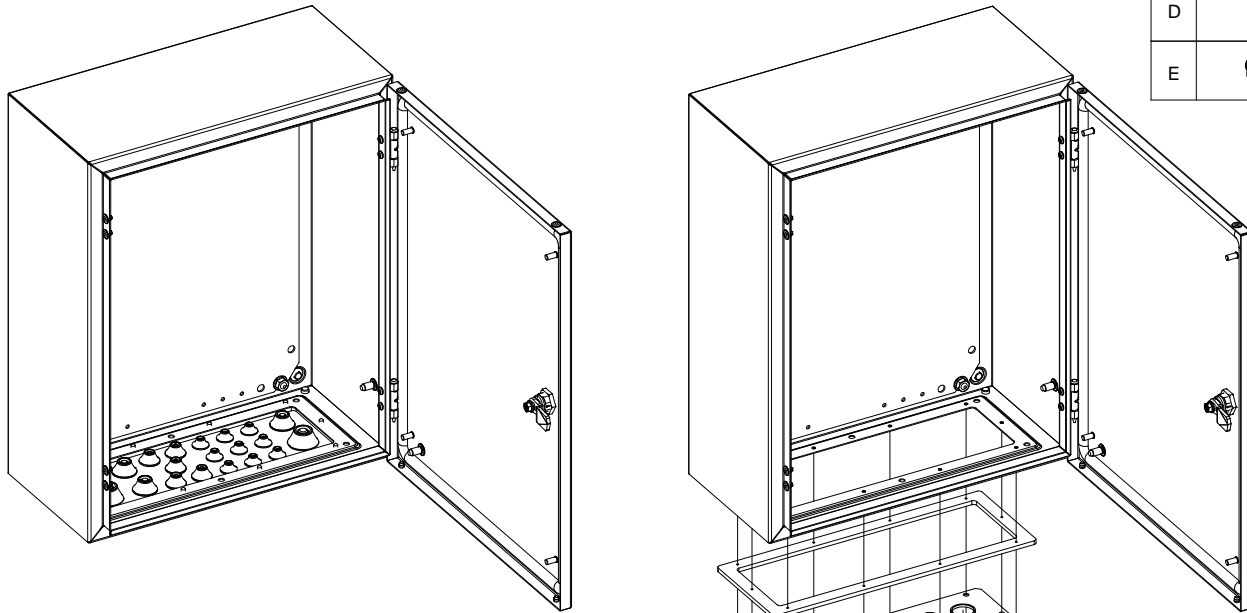


# CED



Ref.	Pic.
A	M5x10
B	CED16
C	CED20
D	CED25
E	CED32



AFK

A

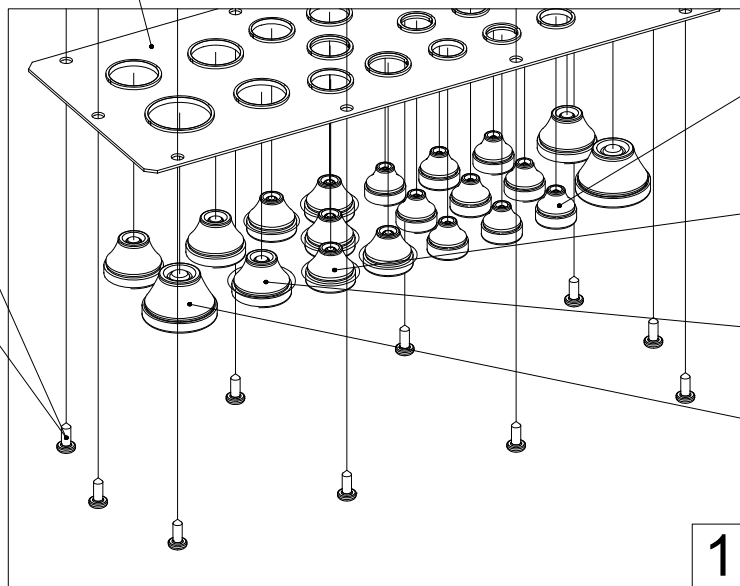
Torque  
8-10 Nm

B

C

D

E



1