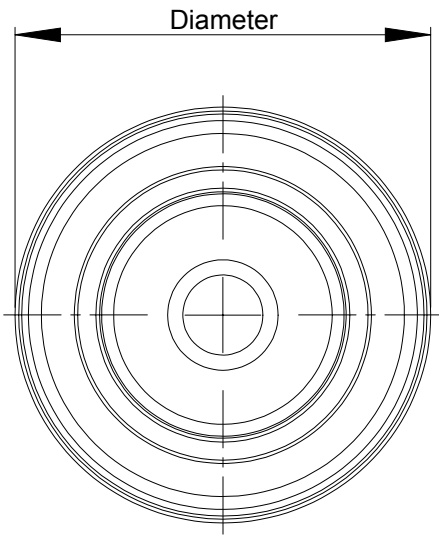
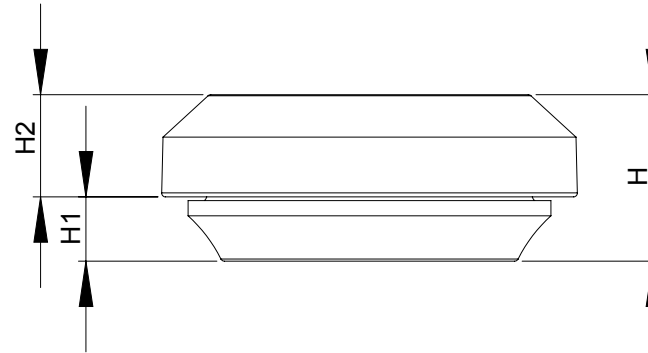


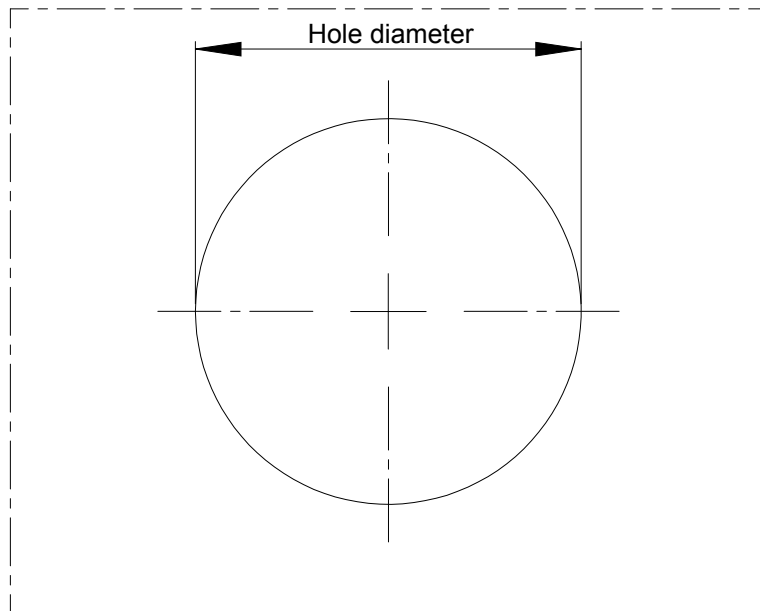
Front view



Side view



Cut-out



Metric	Cable diameter (mm)	Diameter (mm)	Hole diameter (mm)	H (mm)	H1 (mm)	H2 (mm)	Item n°
M16	5-10	23.5	16.5	11	4	6.75	CES16
M20	6-13	27.5	20.5	11	4	6.75	CES20
M25	8-17	32.5	25.5	11	4	6.75	CES25
M32	12-24	39.5	32.5	11	4	6.75	CES32