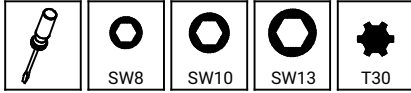
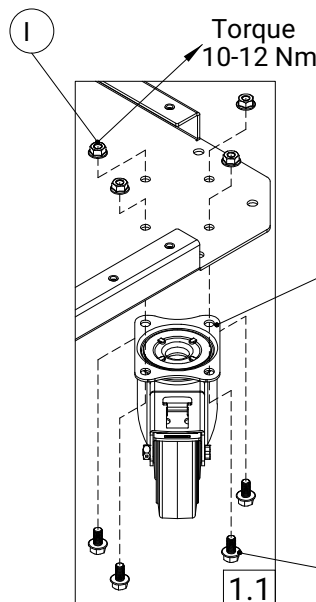
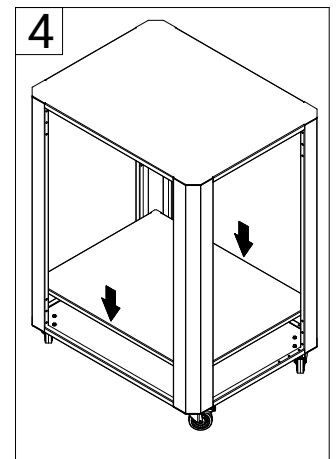
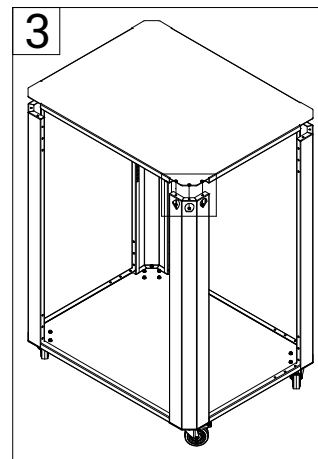
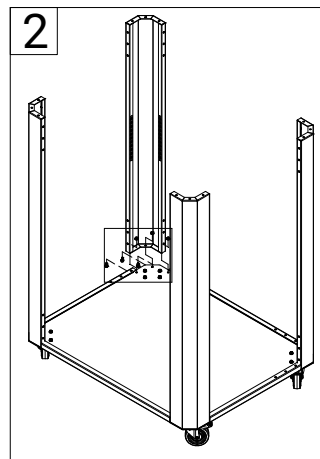
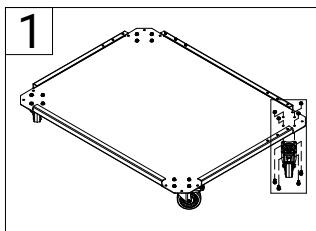
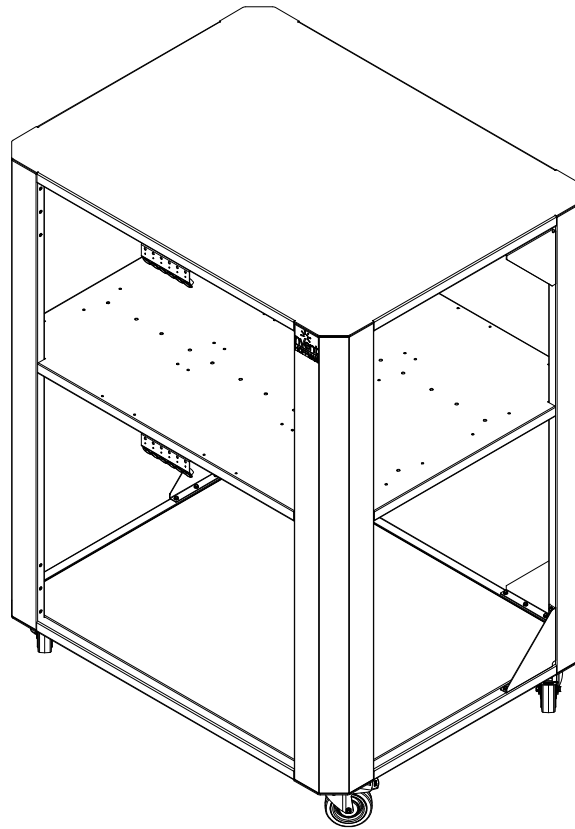


# CS1000



Ref.	Pic.	Qty.
A		8
B		8
C		8
D		8
E		52
F		24
G		4
H		28
I		28
J		2
K		12
L		1

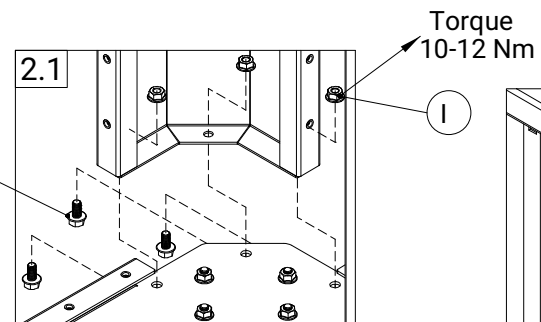


G

H

H

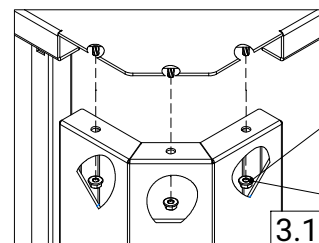
1.1



2.1

Torque 10-12 Nm

I



Torque 8-10 Nm

F

3.1