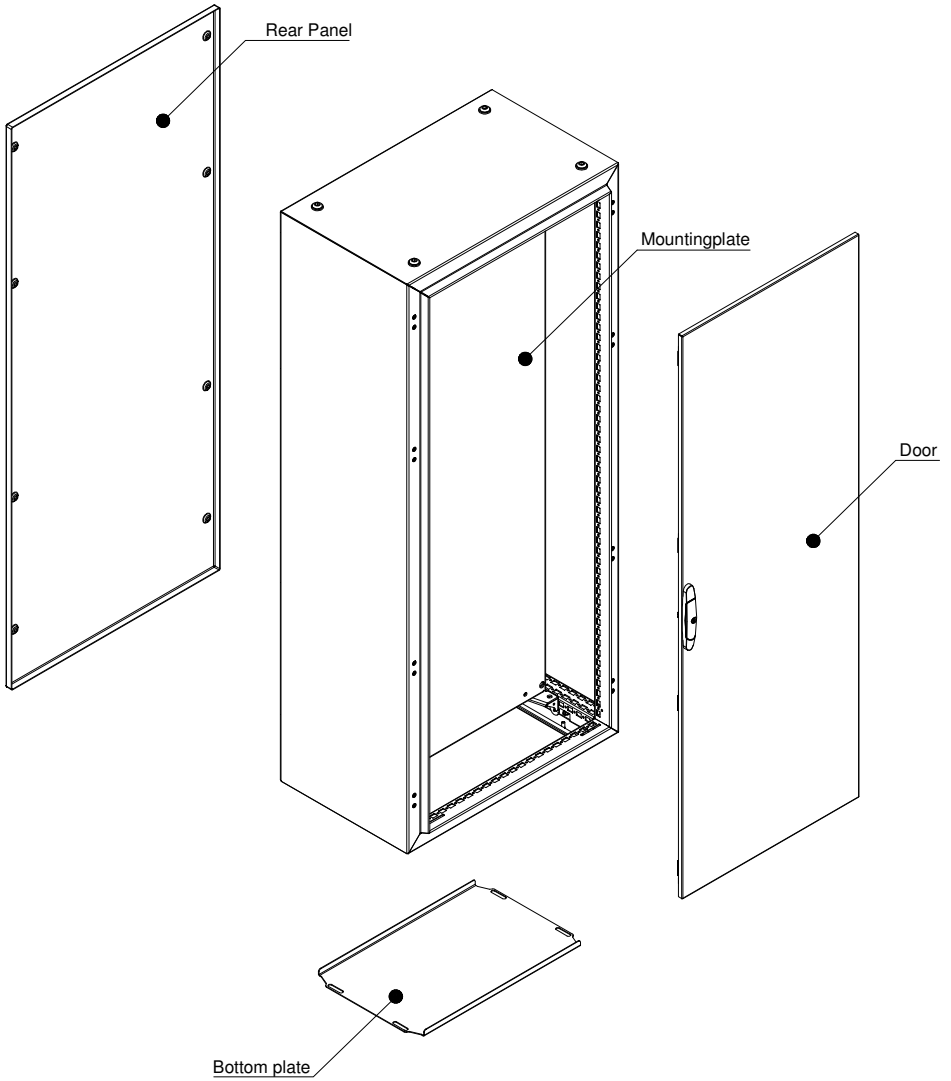
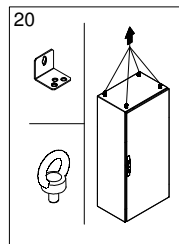
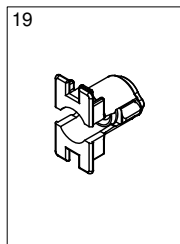
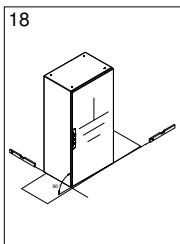
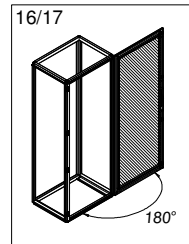
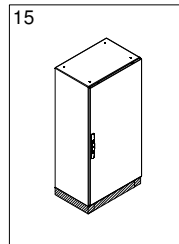
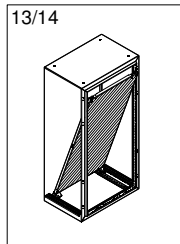
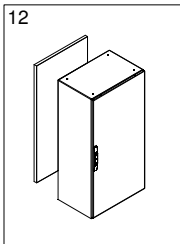
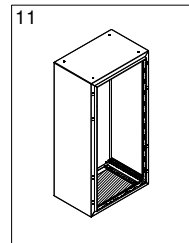
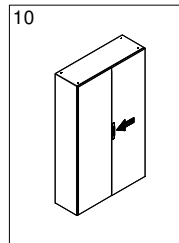
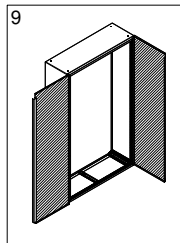
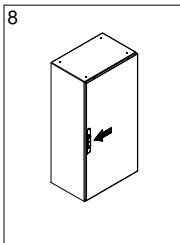
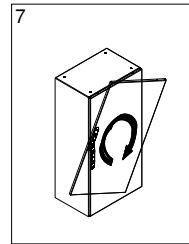
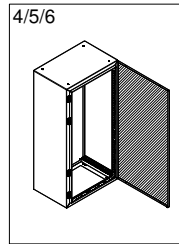
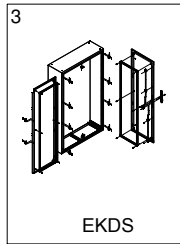
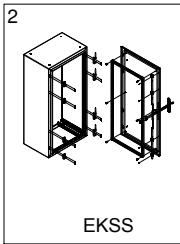


**Floor standing
enclosures Compact
version**
Stainless steel

MOUNTING INSTRUCTIONS
6885-0120-01 REV 10



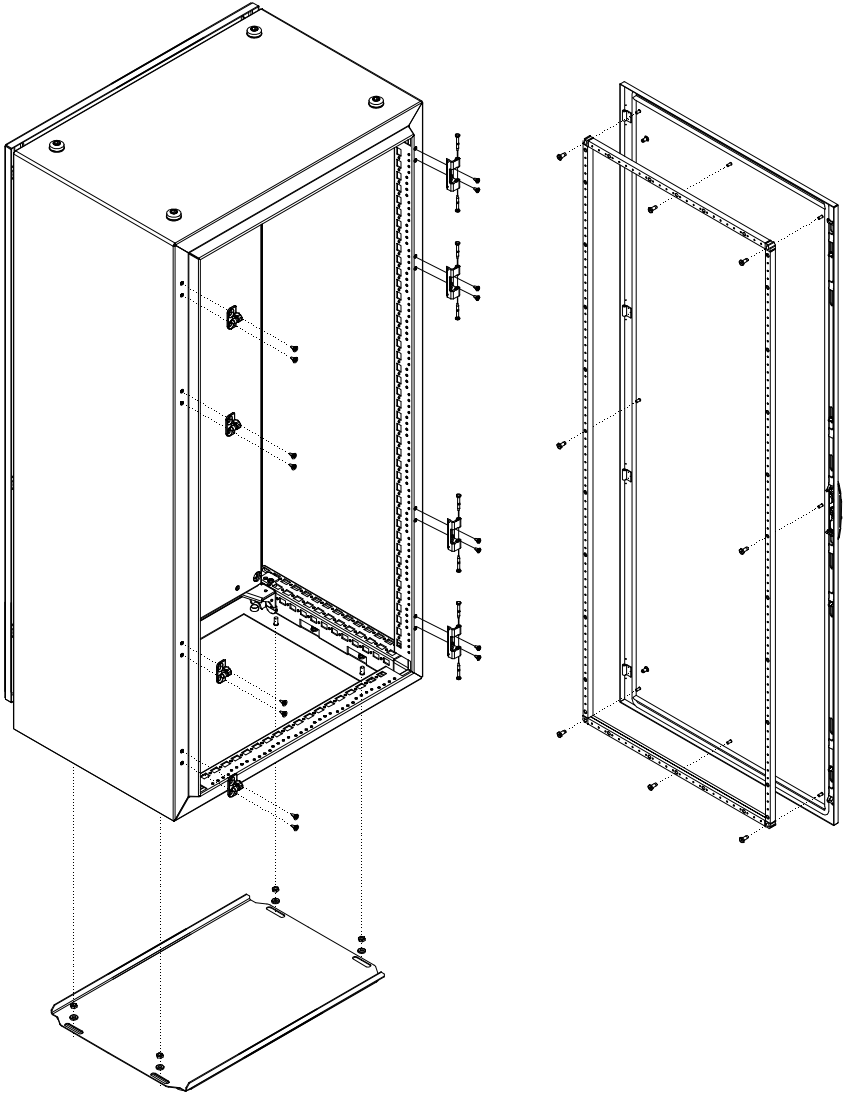




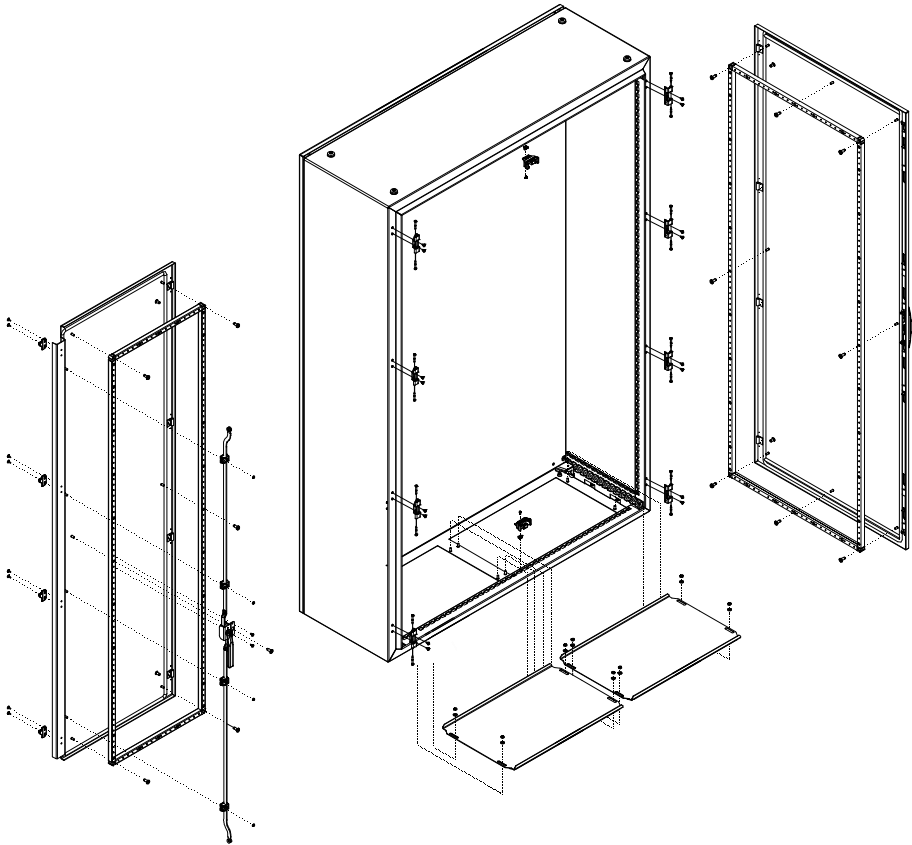
WARNING: When mounting on or over a combustible surface, a floor plate of at least 1.43 mm galvanized or 1.6 mm uncoated steel extended at least 150 mm beyond the equipment on all sides must be installed.

WARNING: In order to maintain the environmental integrity of the enclosure, devices with the same environmental ratings shall be used to close openings in customized enclosure.

EKSS



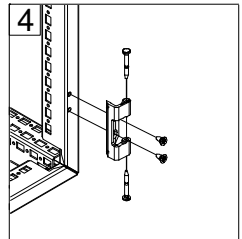
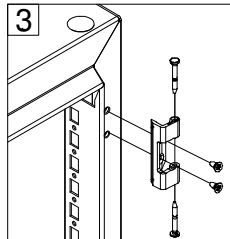
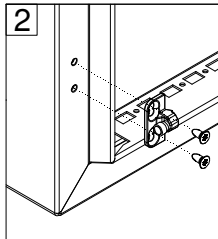
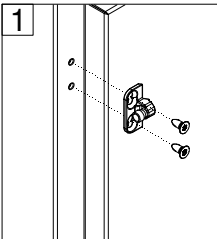
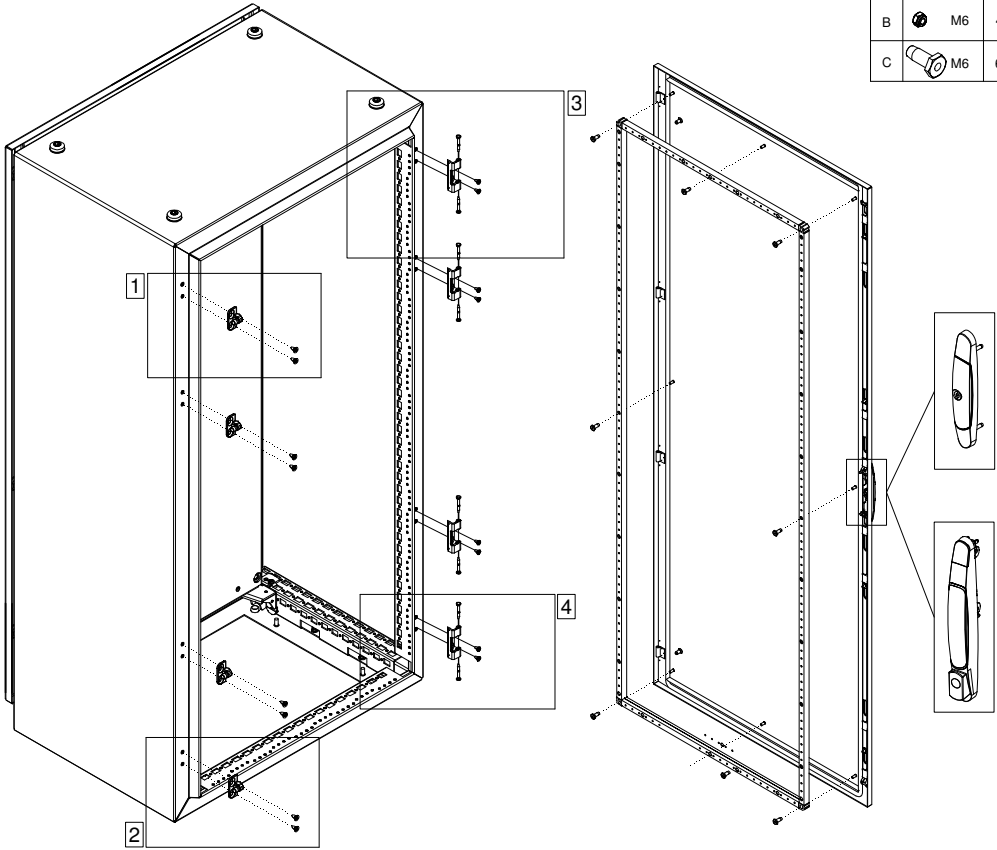
EKDS



EKSS DOOR

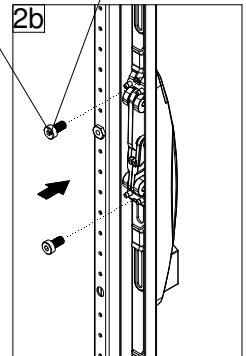
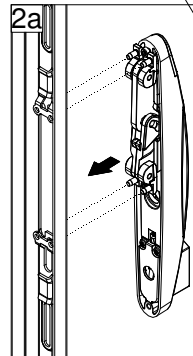
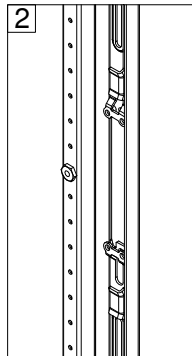
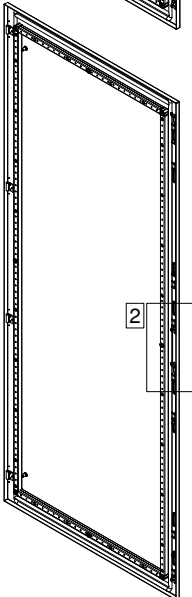
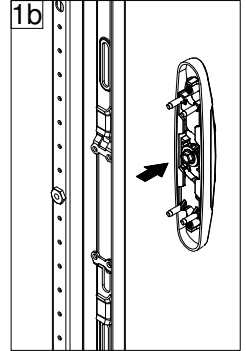
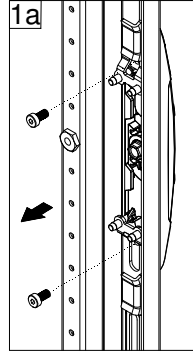
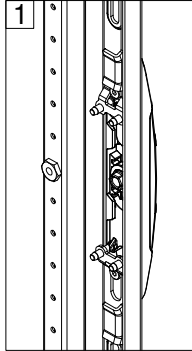
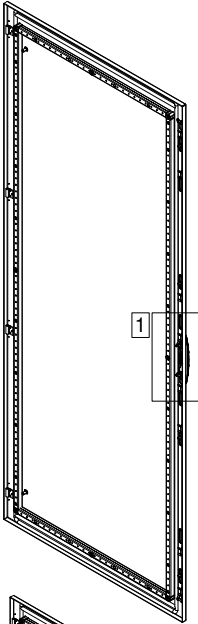


Ref.	Pic.	Qty.
A	M6x16	16
B	M6	4
C	M6	6





MOUNTING THE LIFT HANDLE



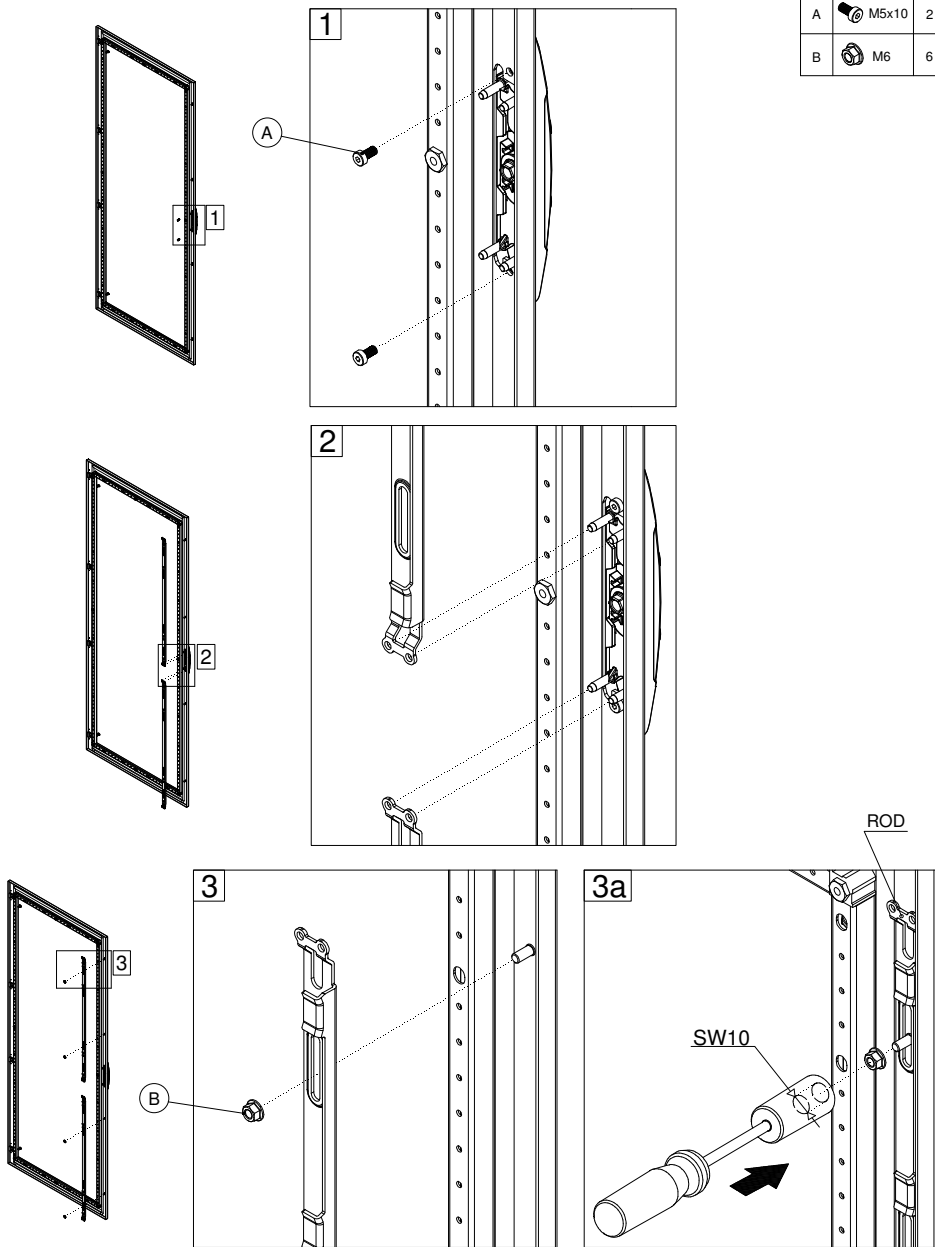
Torque
4-5.5 Nm

A



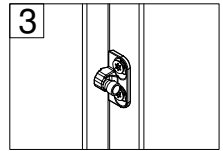
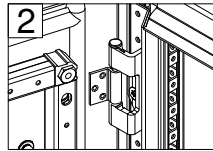
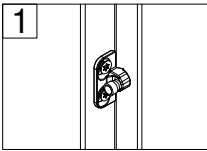
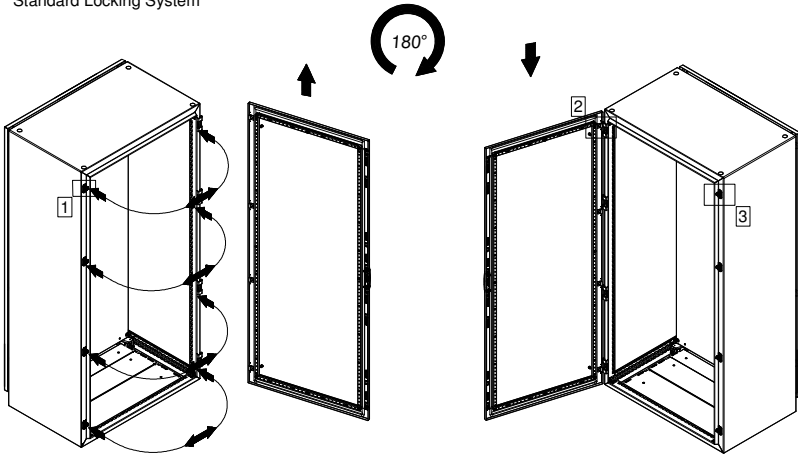
MOUNTING THE LOCKING SYSTEM

Ref.	Pic.	Qty.
A	M5x10	2
B	M6	6

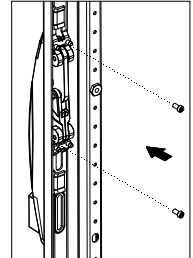
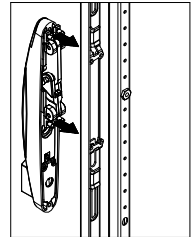
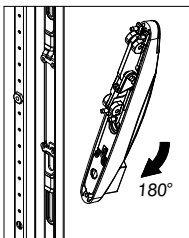
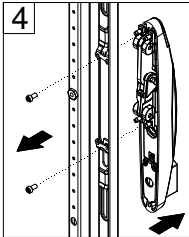
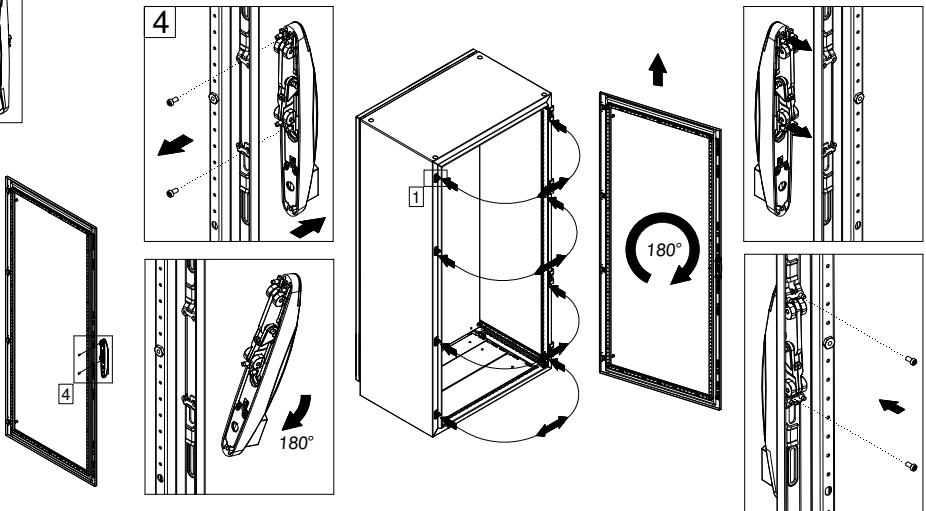




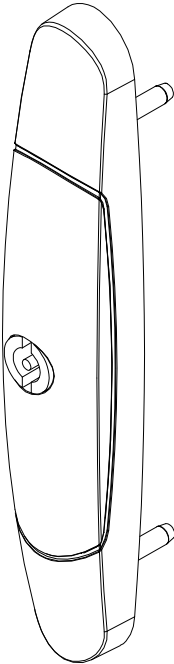
Standard Locking System



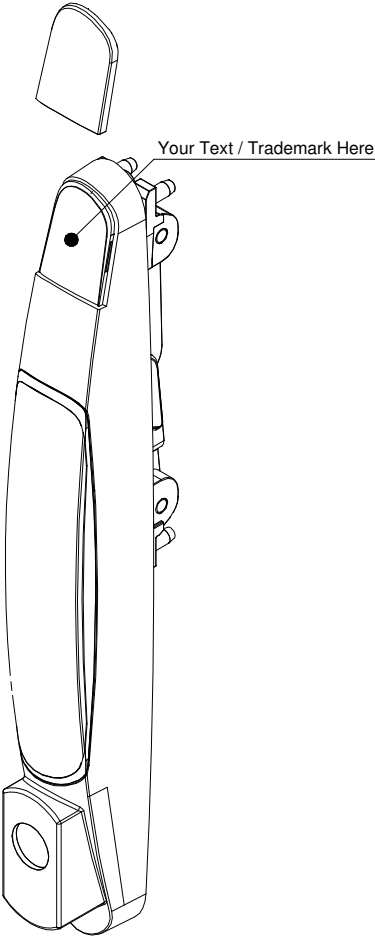
Lift Handle Locking System



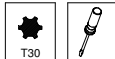
Standard Locking System



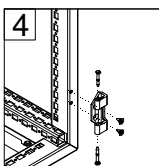
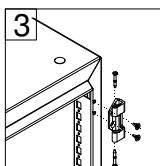
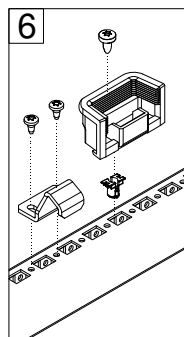
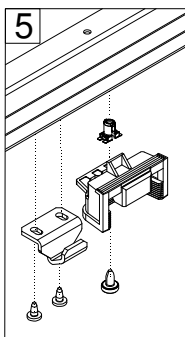
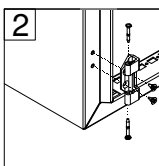
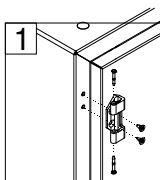
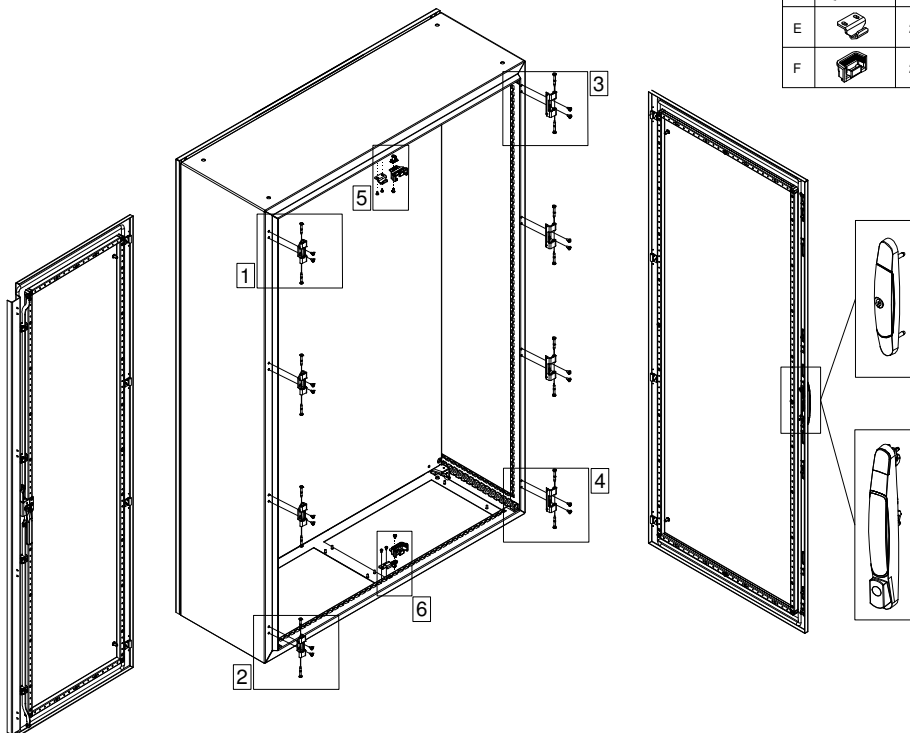
Lift Handle Locking System



EKDS DOORS



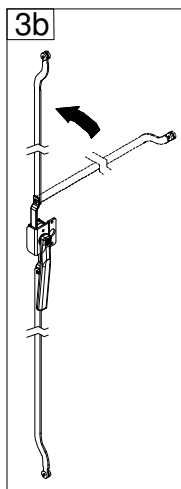
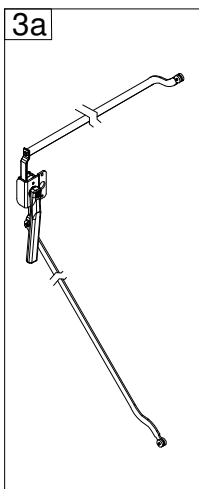
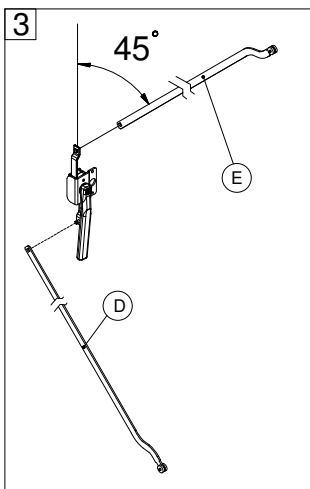
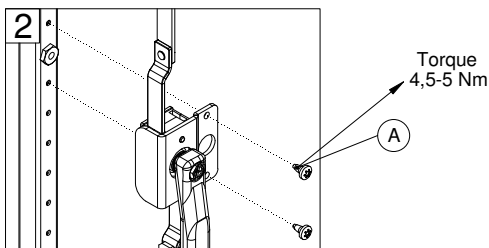
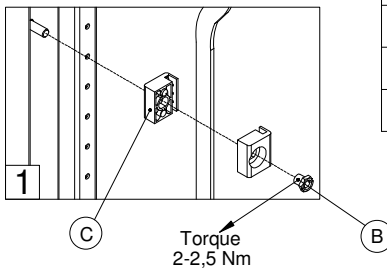
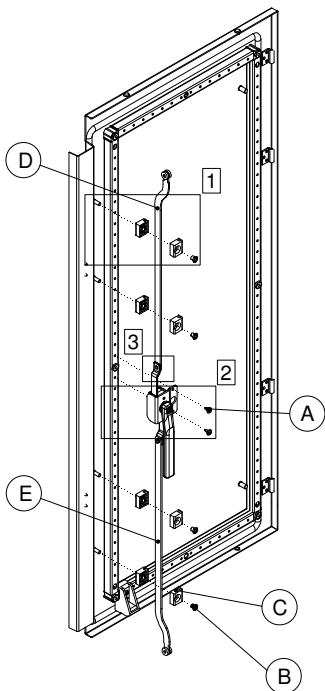
Ref.	Pic.	Qty.
A		8
B		2
C		2
D		16
E		2
F		2



MOUNTING LSEL




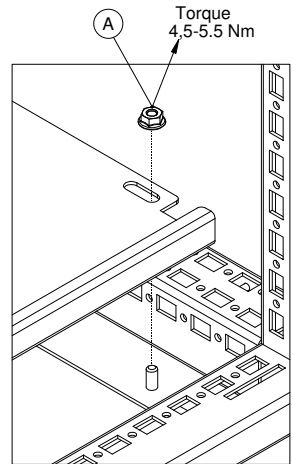
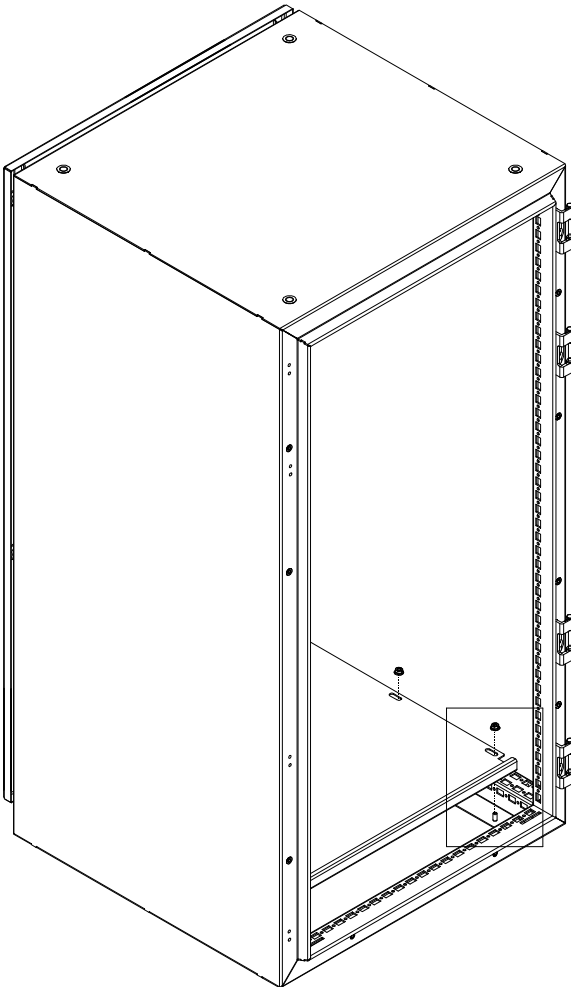
Ref.	Pic.	Qty.
A		6
B		4
C		8
D		1
E		1



BOTTOM PLATE



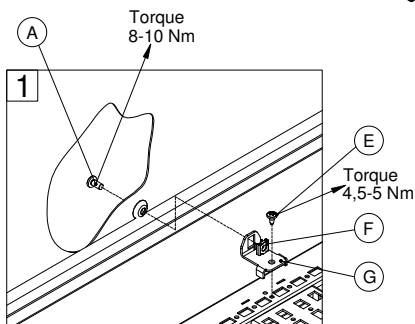
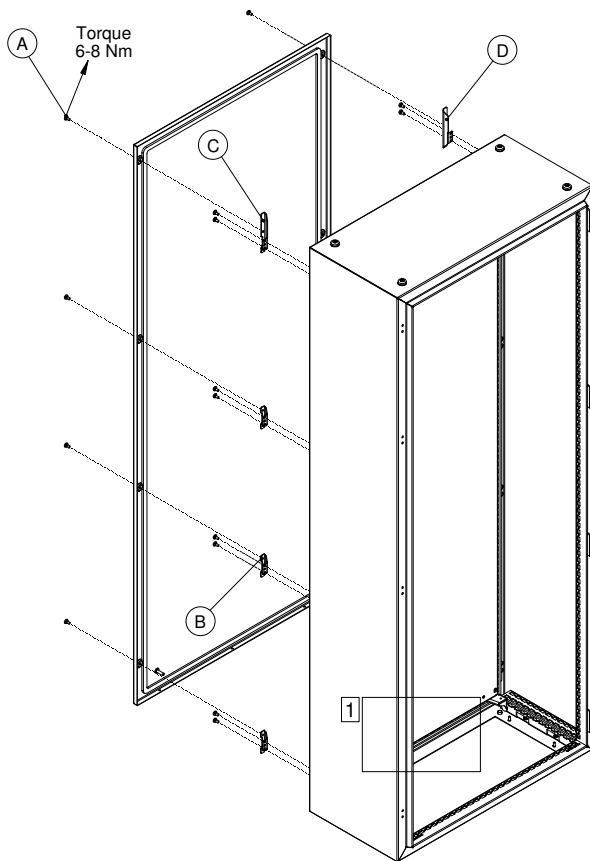
Ref.	Pic.	Qty.
A		6



EKSS REAR PANEL

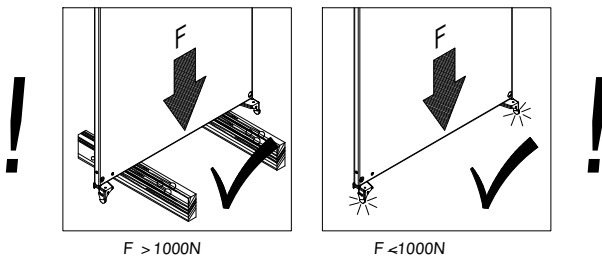


Ref.	Pic.	Qty.
A		24/26/28
B		6
C		1
D		1
E		2/4
F		2/4
G		2/4

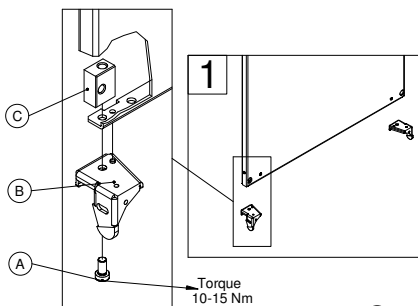


Enclosure width (mm)				
<1000	-	-	-	-
1000	2	2	2	2
1200	2	2	2	2
1600	4	4	4	4

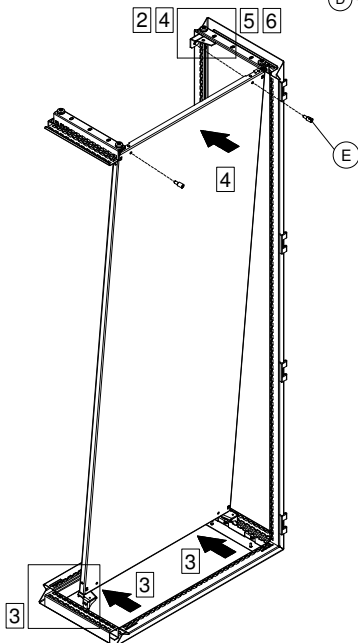
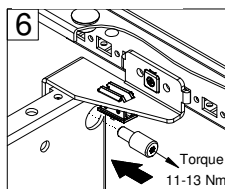
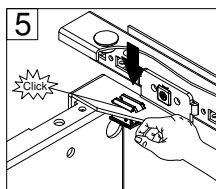
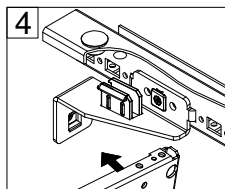
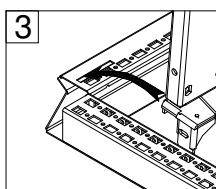
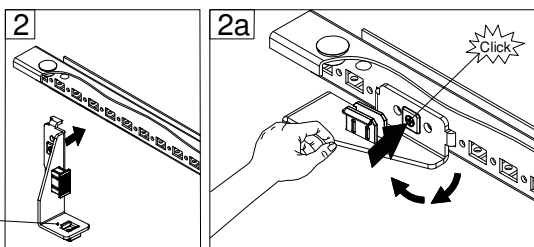
MOUNTING PLATE



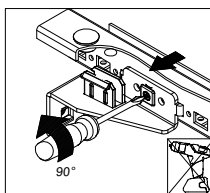
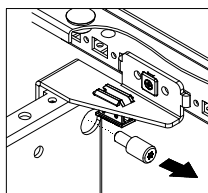
Ref.	Pic.	Qty.
A		2
B		2
C		2
D		1
E		1



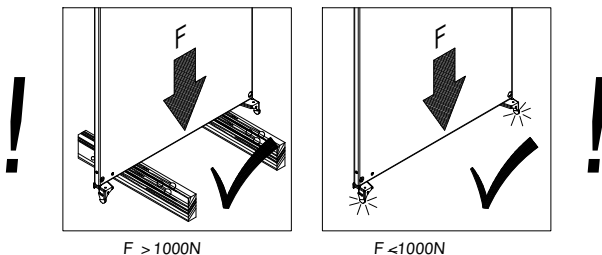
MOUNTING



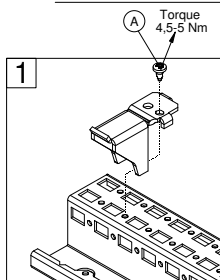
UNMOUNTING



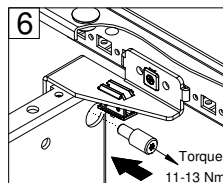
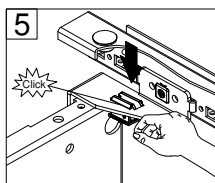
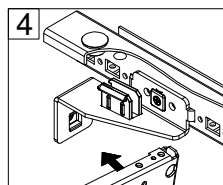
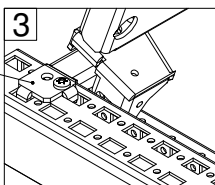
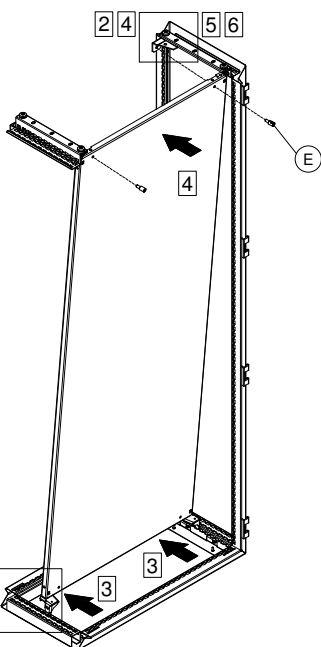
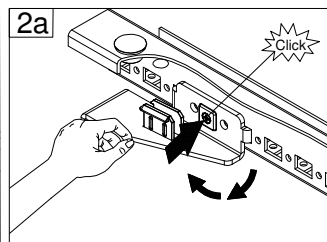
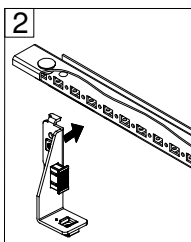
MPD02



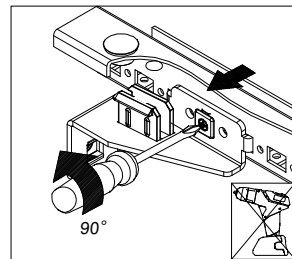
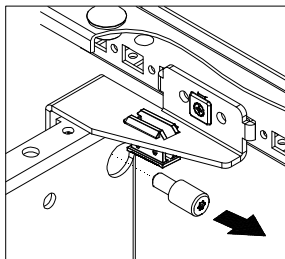
Ref.	Pic.	Qty.
A		2
B		2
C		2
D		1
E		1



MOUNTING



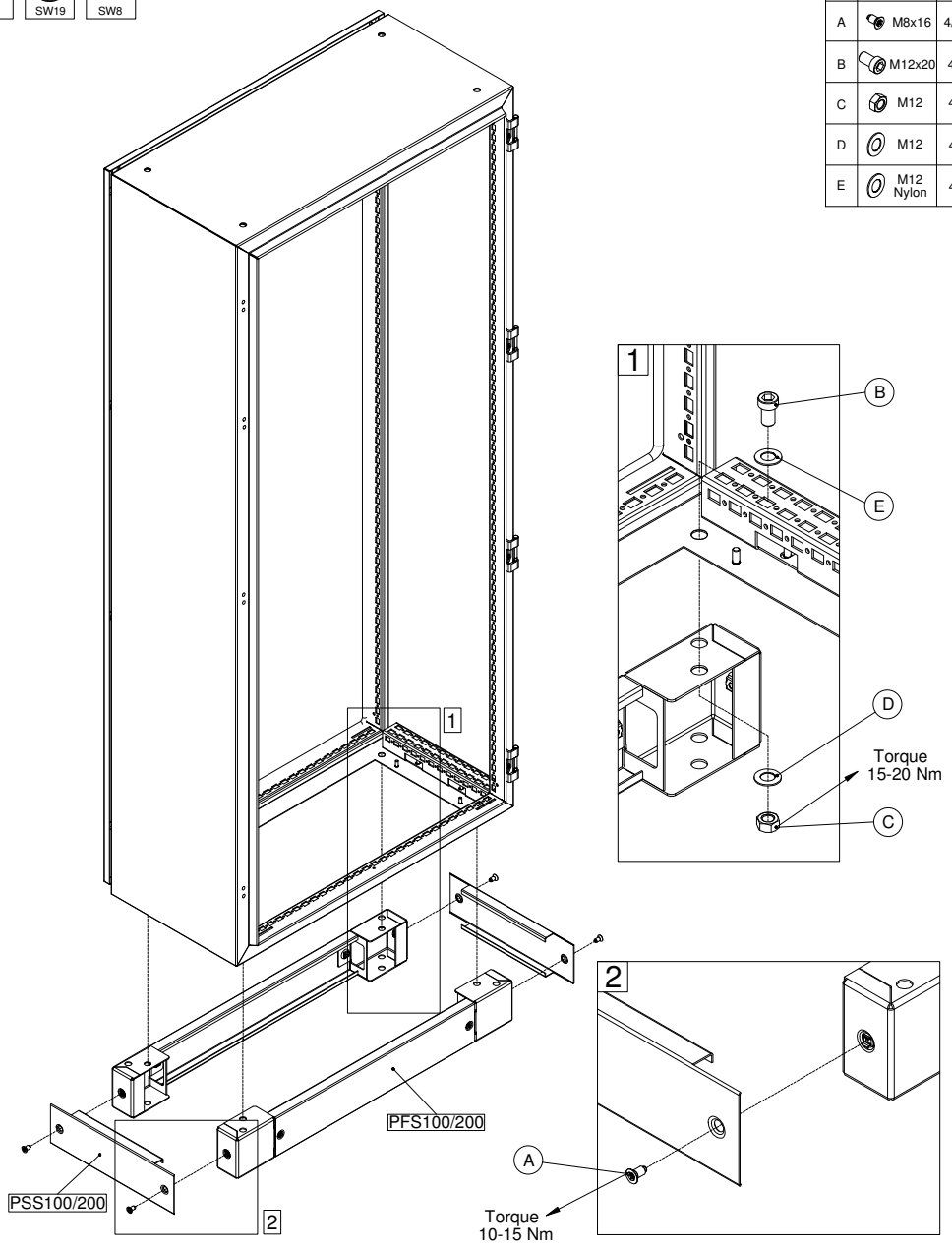
UNMOUNTING



PFS/PSS



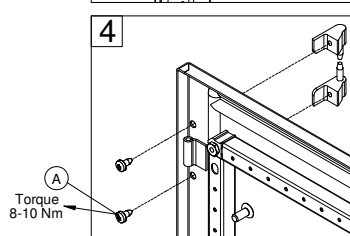
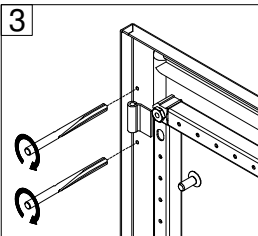
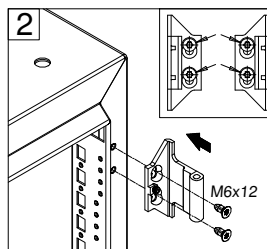
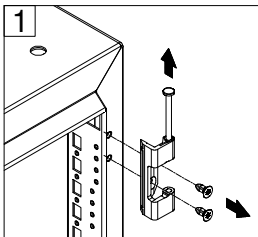
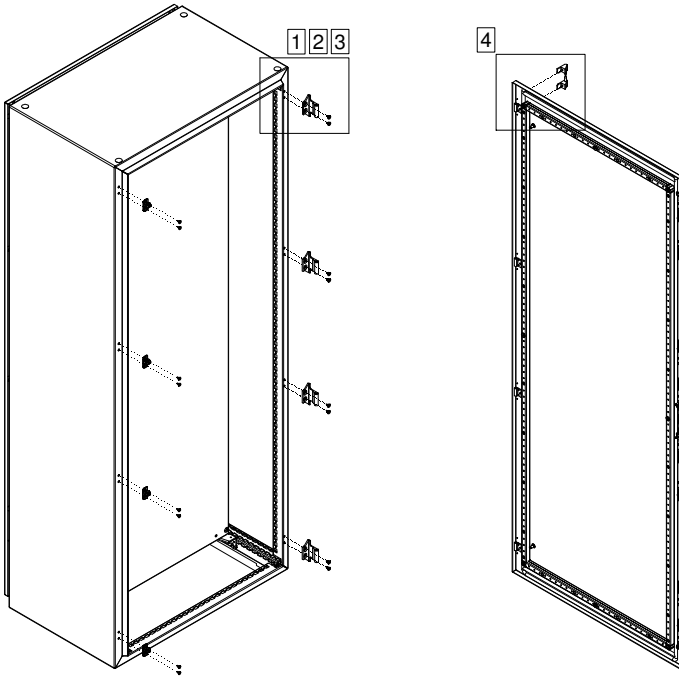
Ref.	Pic.	Qty.
A		4/8
B		4
C		4
D		4
E		4



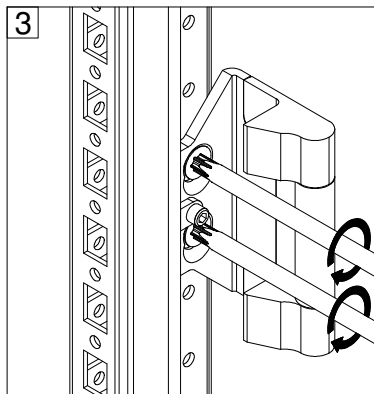
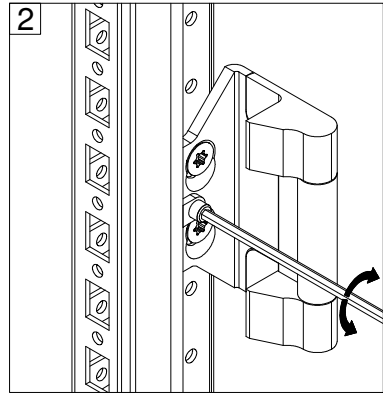
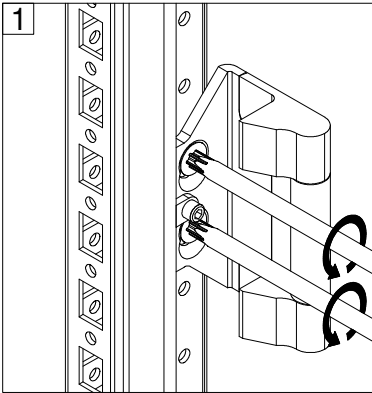
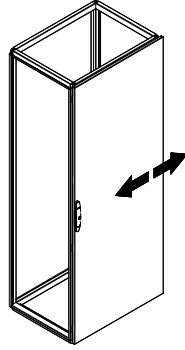
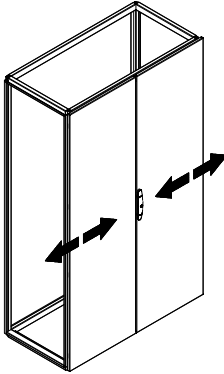
DHN 180

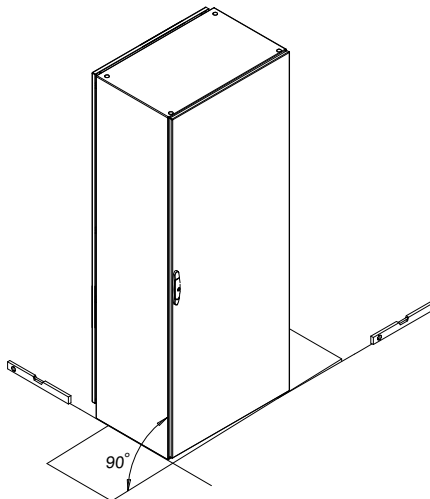
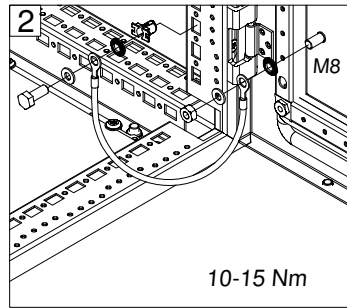
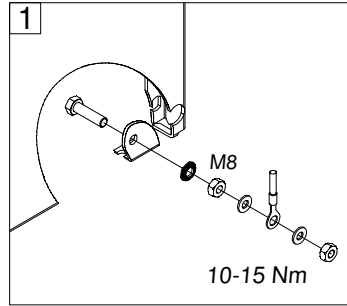
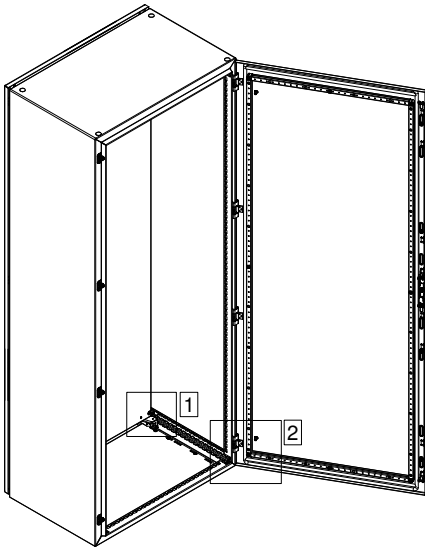


Ref.	Pic.	Qty.
A		8

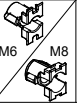


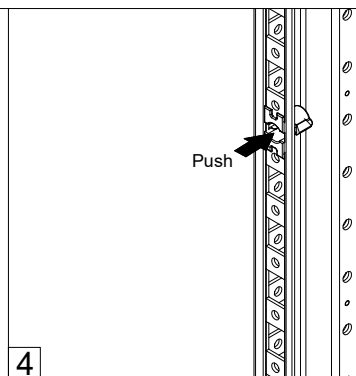
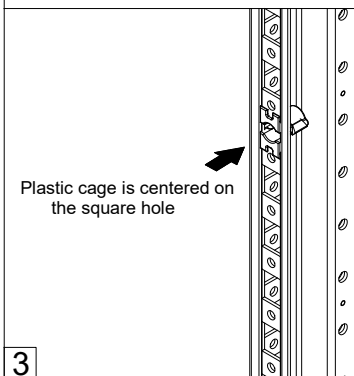
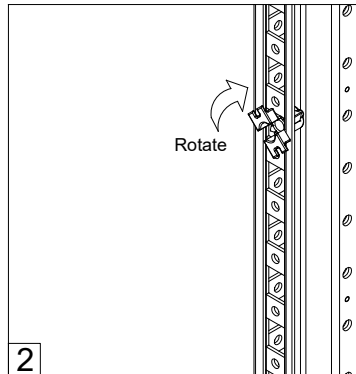
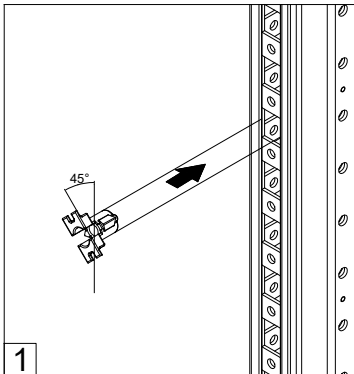
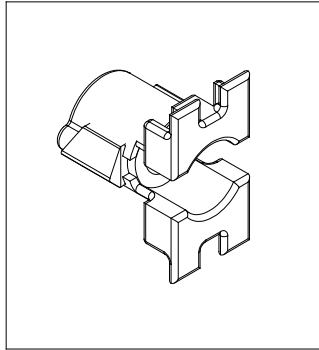
DHN 180
Door adjustment





CNM

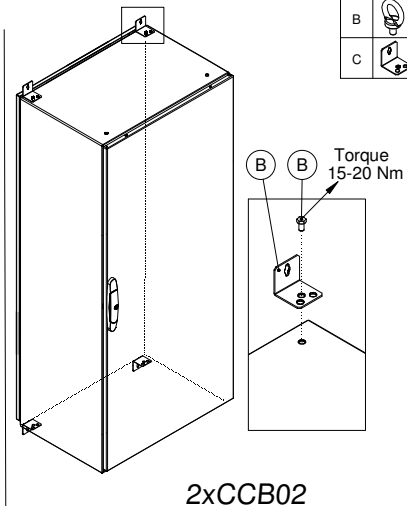
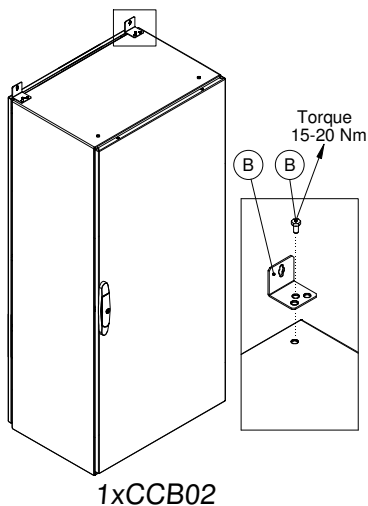
Ref.	Pic.	Qty.
A		1





CCB02

Ref.	Pic.	Qty.
A	M12x20	2
B	M12	4
C		2



LE9304SS

