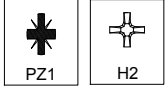
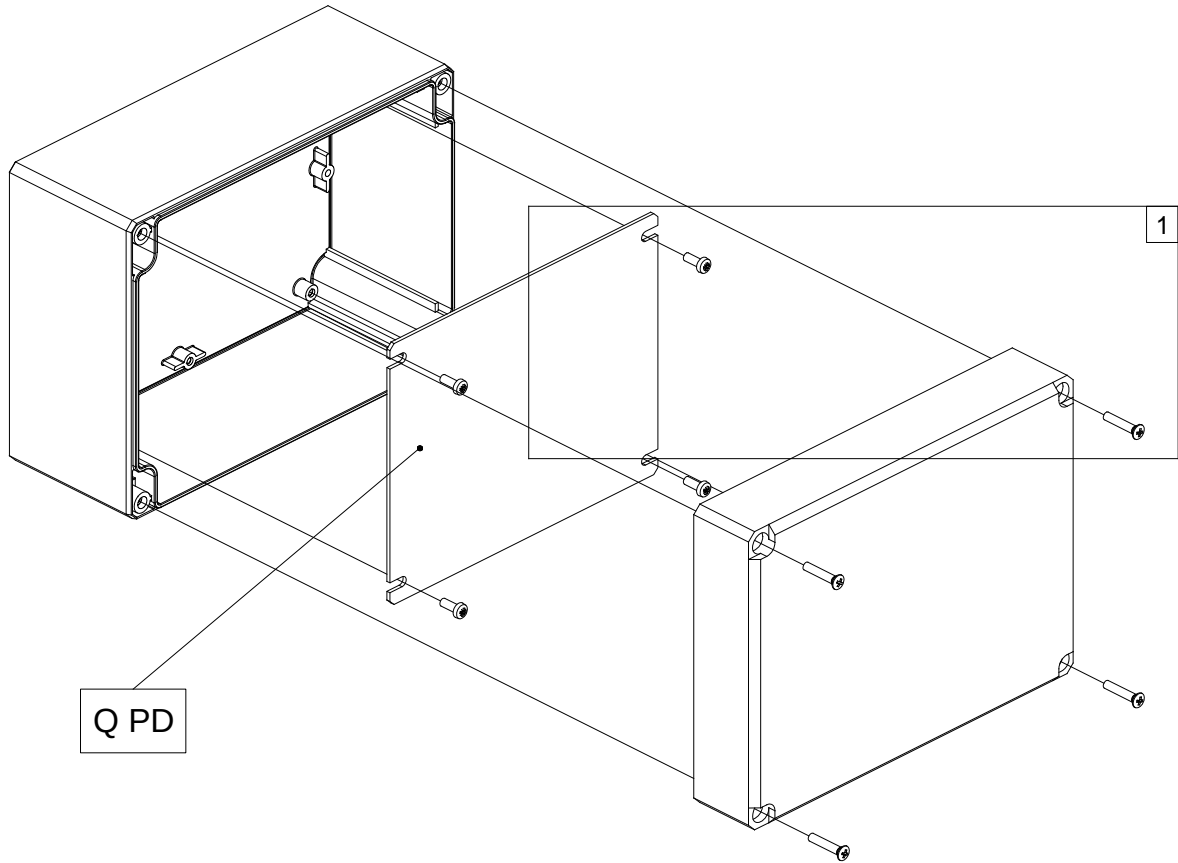


Q PCD



Ref.	Pic.	Qty.
A	3x18/10	4
B	WN1411 3x7	2-6



Torque
0.8 Nm

B

A

Torque
1-1.5 Nm

