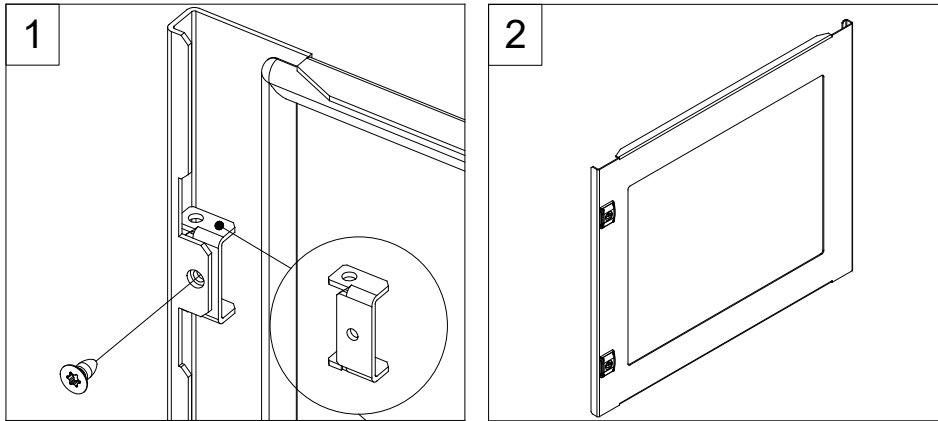




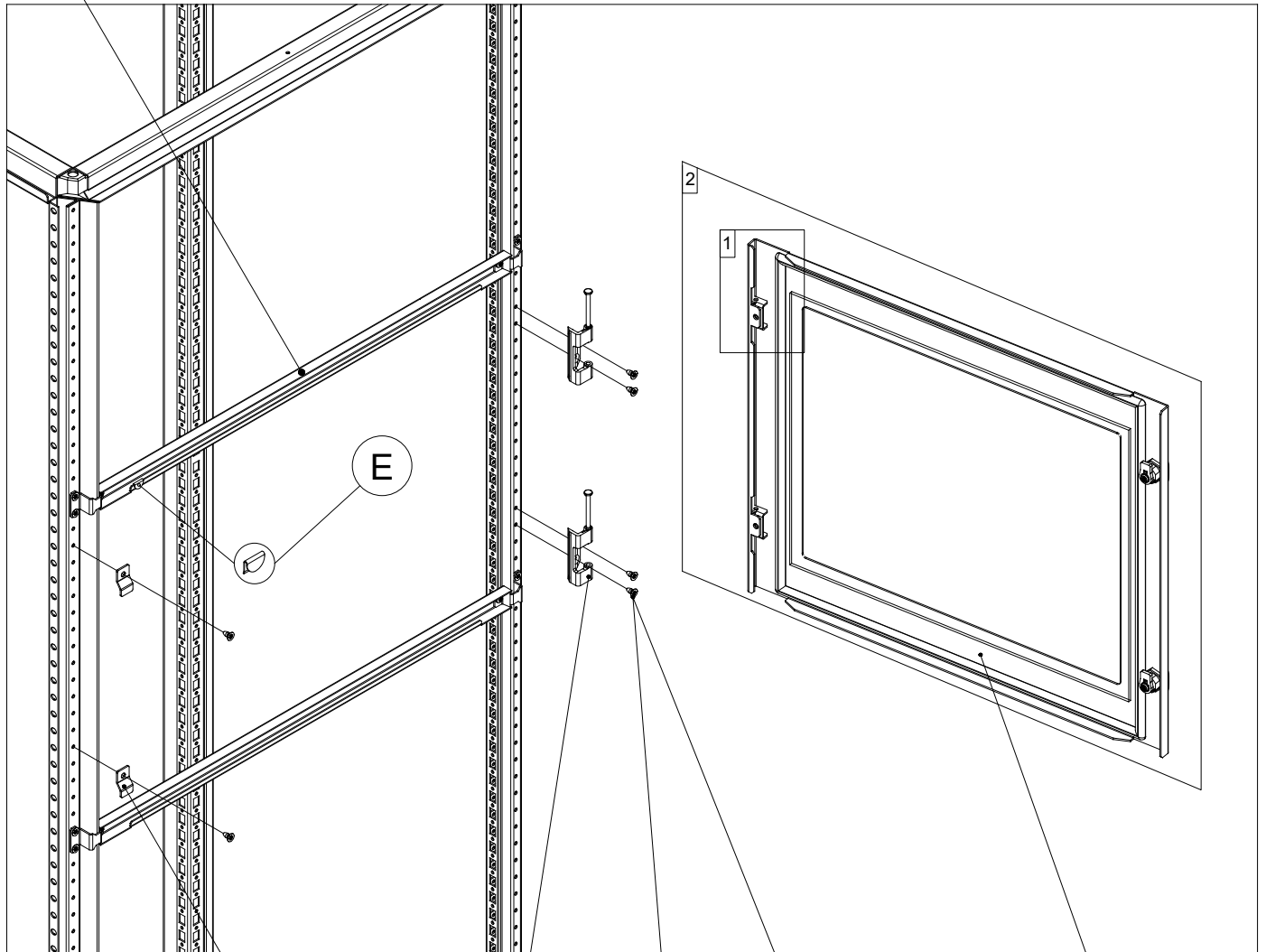
DPM

Ref.	Pic.	
A		M6x12 8
B		2
C		2
D		2
E		8



CDH

D



C

B

A

Torque
8-10 Nm

DPM