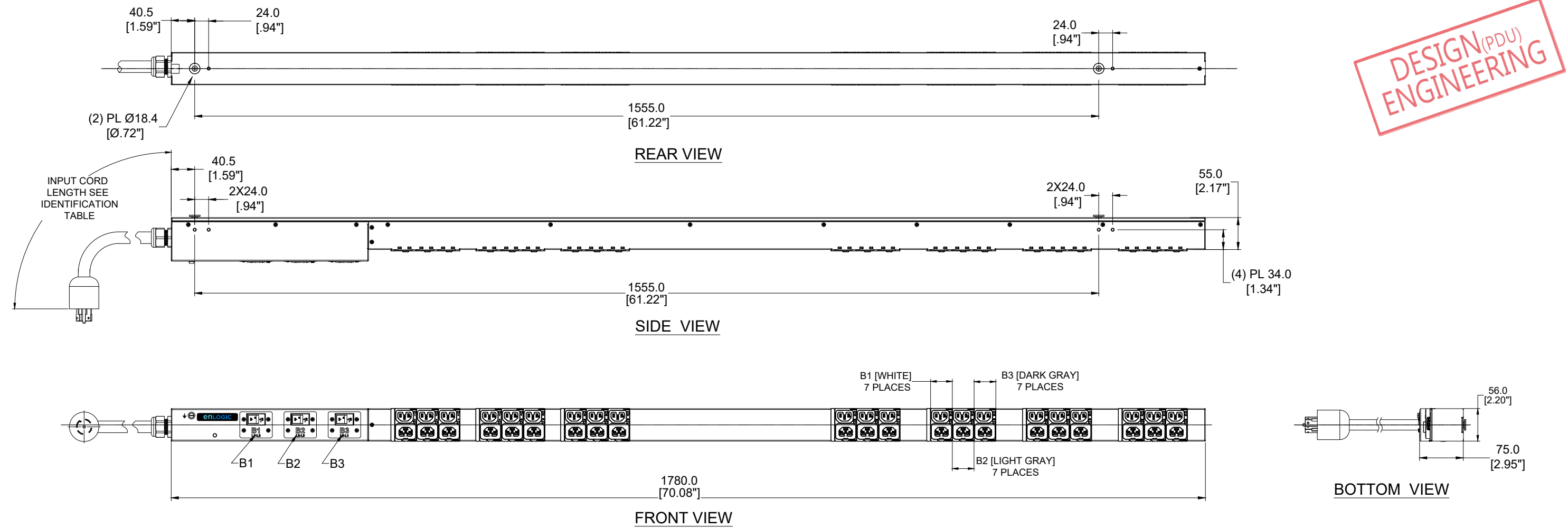


**DESIGN<sup>(PDU)</sup> ENGINEERING**



TECHNICAL SPECIFICATIONS	
UNIT TYPE:	BASIC
ORIENTATION:	VERTICAL, 0U FULL
OUTLET QTY & TYPE:	(21)C13/C15, (21)C13/C15/C19
INPUT VOLTAGE:	208VAC
INPUT CURRENT:	30A (24A DERATED)
BREAKER QTY & TYPE:	(3) 20AMP, DOUBLE-POLE
INPUT PHASE:	THREE-PHASE, WYE / DELTA
RATED POWER:	8.6 KVA
INPUT PLUG:	SEE NOTE 7
INPUT POWER CORD:	SEE IDENTIFICATION TABLE
FEATURES	
METERING ACCURACY	+/-1% TO ISO/ IEC 62052-21
METERING ATTRIBUTES	VOLTAGE(V), CURRENT(A), APPARENT POWER(kVA), REAL POWER(kW), POWER FACTOR, ENERGY(kWh)
METERED COMPONENTS	N/A
REMOTE OUTLET SWITCHING	N/A
ENVIRONMENTAL CONDITIONS	
OPERATING TEMPERATURE	-5 TO 60 C (23 TO 140 F)
STORAGE TEMPERATURE	-20 TO 60 C (-4 TO 140 F)
HUMIDITY (OPERATING/STORAGE)	5-90% RH / 5-95% RH; NON-CONDENSING
MAX OPERATING ELEVATION, ABOVE MSL	3000M(9840FT)
COMPLIANCE	
SAFETY&ENVIRONMENTAL	RoHS COMPLIANT

IDENTIFICATION TABLE	EB0851-*	* INPUT PLUG	* CHASSIS COLOR	* CORD OPTION	* ORIENTATION
MODEL IS SHOWN IN DEFAULT CONFIGURATION. FOR OPTIONAL CONFIGURATIONS, USE ITEM IDENTIFIER CODE IN PLACE OF EACH ASTERISK. ORDERABLE BASED ON FORMAT: EB0851-****		(DEFAULT) L21-30P=0	(DEFAULT) BLACK = 0 BLUE = B RED = R WHITE = W GREEN = G YELLOW = Y	(DEFAULT) 1.8m [6'] = 0 1m [3.2'] = 1 2m [6.6'] = 2 3m [10'] = 3	(DEFAULT) TOP FEED = 0 BOTTOM FEED = 2
OPTIONS LISTED ON THIS ROW ARE NON STANDARD, CONTACT SALES FOR ADDITIONAL INFORMATION		(OPTIONAL)15-30P=S	ORANGE = A	0.5m [1.6'] = A 1.5m [4.9'] = B 2.5m [8.2'] = C	

- NOTES :**
- INSTALLATION SHALL COMPLY WITH ALL APPLICABLE NATIONAL, STATE AND LOCAL CODES.
  - PRIMARY DIMENSIONS ARE IN MILLIMETERS. SECONDARY DIMENSIONS ARE IN [INCHES]
  - UNIVERSAL MOUNTING BRACKET IS AN ALTERNATIVE MOUNTING METHOD TO THE TOOLLESS MOUNT FOR 3RD PARTY ENCLOSURES. BRACKET IS PROVIDED WITH THE UNIT.
  - DETAILED INSTALLATION INSTRUCTIONS CAN BE FOUND IN THE QUICK START GUIDE
  - CONNECT EXTERNAL EARTH GROUND TO THE 10-32 SIZE THREADED NUT
  - SEE PRODUCT DOCUMENTATION FOR FURTHER INFORMATION
  - INPUT PLUG CONFIGURATION (SEE IDENTIFICATION TABLE) FOR DUAL-RATED UNITS, NEMA PLUGS ARE NAM RATED ONLY AND CAPTIVE AUS/NZ PLUGS ARE EMEA RATED ONLY

ECN/ECO	REV.	DESCRIPTION	DATE	APPROVED
ECN-2305-0101	E2	REVISE METER ACCURACY AND ATTRIBUTES CONTENT;ADD AGENCY LABEL FOR L15	2023/05/06	LRF
	E1	INITIAL DRAFT REVIEW	2022/05/23	LRF

**enLOGIC** by nvent

THIS DRAWING AND SPECIFICATIONS HEREIN ARE THE PROPERTY OF CIS GLOBAL AND SHALL NOT BE COPIED, REPRODUCED OR USED IN WHOLE OR IN PART, AS THE BASIS FOR THE MANUFACTURE OR SALE OF ITEMS WITHOUT WRITTEN PERMISSION FROM CIS GLOBAL. THIS DRAWING IS BASED UPON LATEST AVAILABLE INFORMATION AND IS SUBJECT TO CHANGE WITHOUT NOTICE

**TITLE :** Advantage Series Basic

**PROJECT:** enLOGIC

UNLESS NOTED, DIMENSIONS ARE IN MILLIMETERS & TOLERANCES ARE:  
 X ±1 MM X" ±1"  
 X.X ±0.5 MM X.X" ±0.5"  
 X ±0.20 MM  
 Ø X.X ±0.3 MM  
 Ø X.XX ±0.10 MM

BRACKETED DIMENSIONS ARE IN INCHES FOR REFERENCE ONLY

⊕ THRID ANGLE PROJECTION  
 INTERPRET PER ASME Y14.5M-1994

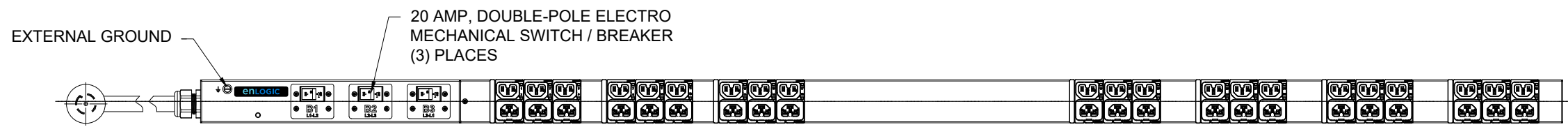
**PART NO:** EB0851-WXYZ\_DA  
**REV.:** E2

**DRAWN BY:** LRF 2022/05/23  
**ENGINEER:** LJB 2023/05/06  
**APPROVED BY:** Hanson 2023/05/06

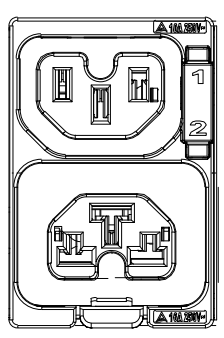
**SCALE :** N/A

**SHEET 1 OF 3** **SIZE: A3**

**DESIGN<sup>(PDU)</sup>  
ENGINEERING**

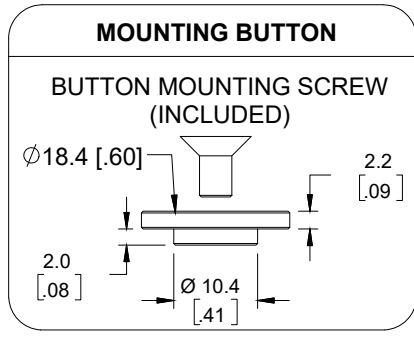
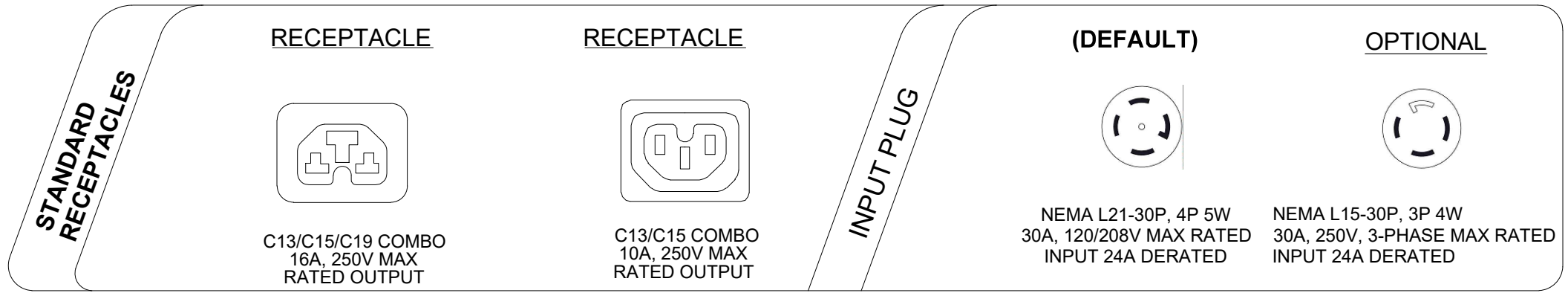


**COMBO RECEPTACLE**



C13/C15 COMBO  
10A, 250V MAX  
RATED OUTPUT

C13/C15/C19 COMBO  
16A, 250V MAX  
RATED OUTPUT



- NOTES :**
1. INSTALLATION SHALL COMPLY WITH ALL APPLICABLE NATIONAL, STATE AND LOCAL CODES.
  2. SEE PRODUCT DOCUMENTATION FOR FURTHER INFORMATION

**enLOGIC** by nvent

THIS DRAWING AND SPECIFICATIONS HEREIN ARE THE PROPERTY OF CIS GLOBAL AND SHALL NOT BE COPIED, REPRODUCED OR USED IN WHOLE OR IN PART, AS THE BASIS FOR THE MANUFACTURE OR SALE OF ITEMS WITHOUT WRITTEN PERMISSION FROM CIS GLOBAL. THIS DRAWING IS BASED UPON LATEST AVAILABLE INFORMATION AND IS SUBJECT TO CHANGE WITHOUT NOTICE

**TITLE :**

Advantage Series  
Basic

**PROJECT :**

enLOGIC

UNLESS NOTED, DIMENSIONS ARE IN MILLIMETERS & TOLERANCES ARE:

X	±1 MM	X"	±1"
X.X	±0.5 MM	X.X"	±0.5"
X	±0.20 MM		
Ø X.X	±0.3 MM		
Ø X.XX	±0.10 MM		

BRACKETED DIMENSIONS ARE IN INCHES FOR REFERENCE ONLY

⊕ THRID ANGLE PROJECTION

INTERPRET PER ASME Y14.5M-1994

<b>PART NO:</b>	EB0851-WXYZ_DA	<b>REV.</b>	E1
<b>DRAWN BY:</b>	LRF		2022/05/23
<b>ENGINEER:</b>	LJB		2023/05/06
<b>APPROVED BY:</b>	Hanson		2023/05/06
<b>SCALE :</b>	N/A	<b>SHEET</b>	2 OF 3
		<b>SIZE:</b>	A3

**DESIGN<sup>(PDU)</sup>  
ENGINEERING**

**enLOGIC RACK Power Distribution Unit**  
Basic

SKU #: EB0851-WXYZ  
Model #: EP406024-0061-C  
INPUT: 100-120/200-240VAC, WYE, 3PHASE, 50/60Hz, 24A  
OUTPUT: C13/C15 COMBO; 200-240VAC, 10A per outlet  
C13/C15/C19 COMBO; 200-240VAC, 16A max per outlet  
24A Total

Made In XXXXX

SKU#: EB0851-WXYZ

Serial Number: XXXXXX X X X X

Input Plug: L21-30P

**enLOGIC RACK Power Distribution Unit**  
Basic

SKU #: EB0851-SXYZ  
Model #: EP404024-0061-C  
INPUT: 200-240VAC, DELTA, 3PHASE, 50/60Hz, 24A  
OUTPUT: C13/C15 COMBO; 200-240VAC, 10A per outlet  
C13/C15/C19 COMBO; 200-240VAC, 16A max per outlet  
24A Total

Made In XXXXX

SKU#: EB0851-SXYZ

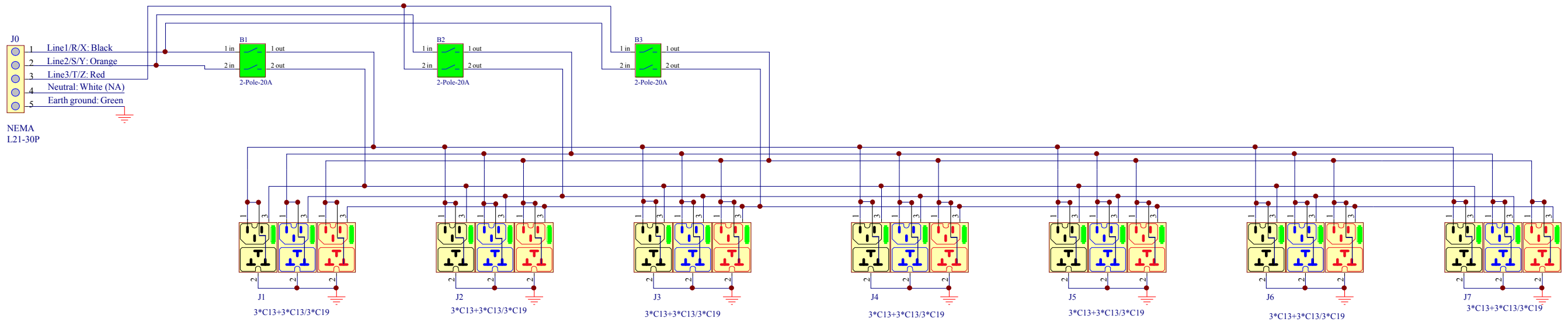
Serial Number: XXXXXX X X X X

Input Plug: L15-30P

**NOTES:**

- INTERNAL WIRING  
WIRE TYPE: UL AWM 1015, 12 & 18 AWG  
LINE 1/R/X COLOR: Black  
LINE 2/S/Y COLOR: Orange  
LINE 3/T/Z COLOR: Red  
NEUTRAL COLOR: White (NA)  
EARTH GROUND COLOR: Green
- FOR FINISHED GOOD PART NUMBER SEE IDENTIFICATION

**COMPLIANCE LABEL**



**INTERNAL WIRING SCHEMATIC DIAGRAM**

- NOTES:**
- INSTALLATION SHALL COMPLY WITH ALL APPLICABLE NATIONAL, STATE AND LOCAL CODES.
  - SEE PRODUCT DOCUMENTATION FOR FURTHER INFORMATION.
  - THIS DRAWING DEPICTS THE POWER SYSTEM CONNECTIONS AND IS NOT REPRESENTATIVE OF THE PHYSICAL LAYOUT. PLEASE REFER TO MECHANICAL DRAWINGS FOR PHYSICAL LAYOUT.

**enLOGIC by nvent**

THIS DRAWING AND SPECIFICATIONS HEREIN ARE THE PROPERTY OF CIS GLOBAL AND SHALL NOT BE COPIED, REPRODUCED OR USED IN WHOLE OR IN PART, AS THE BASIS FOR THE MANUFACTURE OR SALE OF ITEMS WITHOUT WRITTEN PERMISSION FROM CIS GLOBAL. THIS DRAWING IS BASED UPON LATEST AVAILABLE INFORMATION AND IS SUBJECT TO CHANGE WITHOUT NOTICE

**TITLE :**  
Advantage Series  
Basic

**PROJECT :**  
enLOGIC

UNLESS NOTED, DIMENSIONS ARE IN MILLIMETERS & TOLERANCES ARE:  
X ±1 MM X° ±1°  
X.X ±0.5 MM X.X° ±0.5°  
X ±0.20 MM  
Ø X.X ±0.3 MM  
Ø X.XX ±0.10 MM

BRACKETED DIMENSIONS ARE IN INCHES FOR REFERENCE ONLY

⊕ THRID ANGLE PROJECTION  
INTERPRET PER ASME Y14.5M-1994

<b>PART NO:</b> EB0851-WXYZ_DA	<b>REV.</b> E2
<b>DRAWN BY:</b> LRF	2022/05/23
<b>ENGINEER:</b> LJB	2023/05/06
<b>APPROVED BY:</b> Hanson	2023/05/06
<b>SCALE :</b> N/A	<b>SHEET</b> 3 OF 3
	<b>SIZE:</b> A3