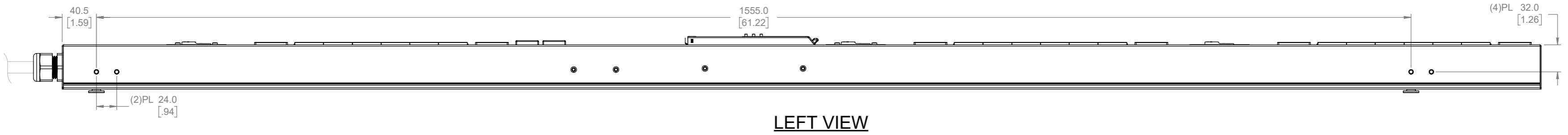
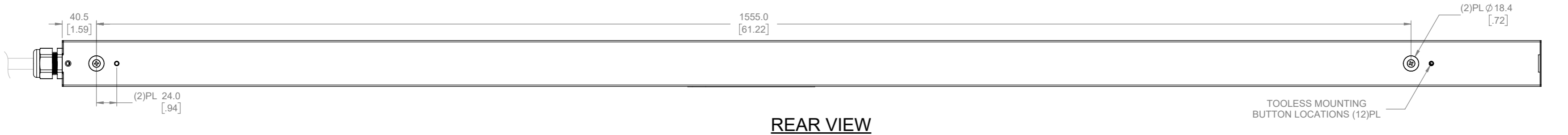


THE INFORMATION CONTAINED IN THIS DRAWING IS THE SOLE PROPERTY OF CIS. ANY REPRODUCTION IN PART OR WHOLE WITHOUT WRITTEN PERMISSION OF CIS IS PROHIBITED.

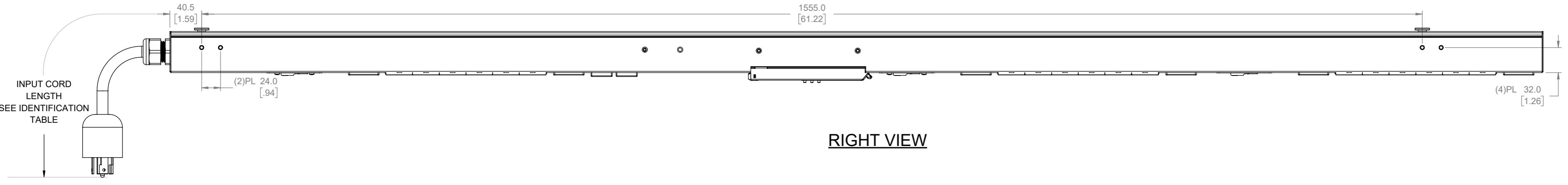
REVISIONS				SIGN	DATE
ECN/ECD	PLACES	REV.	DESCRIPTION	Huang	2020.8.17
		E1	Design Release		



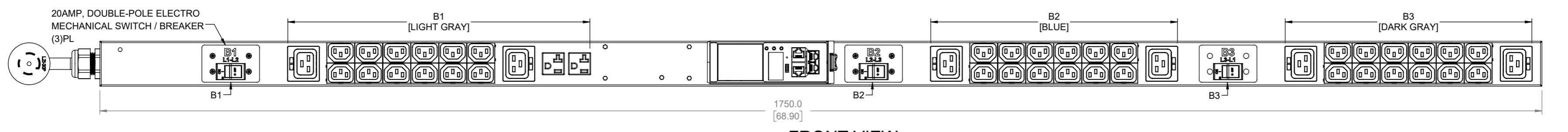
LEFT VIEW



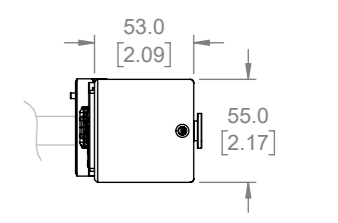
REAR VIEW



RIGHT VIEW



FRONT VIEW



BOTTOM VIEW

PLUG/RECEPTACLE BLOCK

PLUG
NEMA L21-30P, 4P 5W
30A, 250V MAX RATED INPUT
(24A DERATED)

RECEPTACLE
NEMA 5-20R
20A, 125V MAX RATED OUTPUT

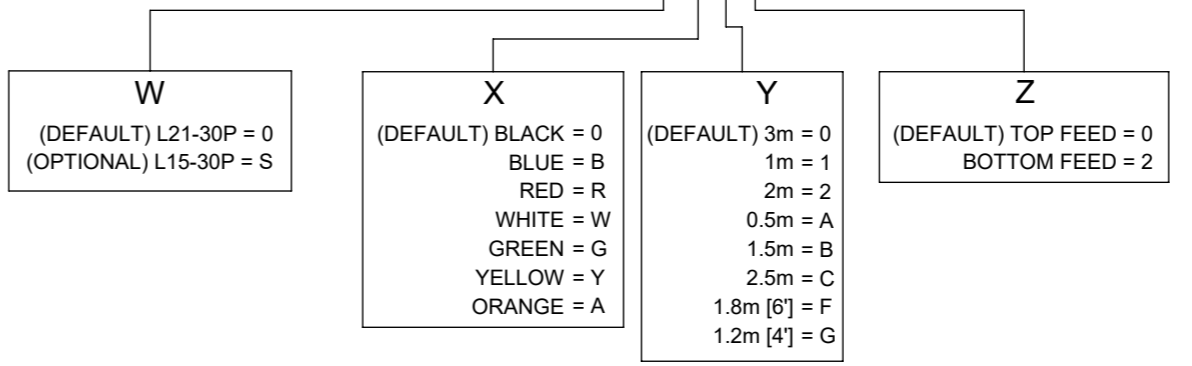
RECEPTACLE
IEC 60320/C19
16A, 250V MAX RATED OUTPUT

RECEPTACLE
IEC 60320/C13
10A, 250V MAX RATED OUTPUT

SPECIFICATIONS:

UNIT TYPE: INPUT METERED
ORIENTATION: VERTICAL, 0U FULL
OUTLET QTY & TYPE: (36)C13, (6)C19, (2)5-20R
INPUT VOLTAGE: 208VAC
INPUT CURRENT: 30A (24A DERATED)
BREAKER QTY & TYPE: (3) 20AMP, DOUBLE-POLE
INPUT PHASE: THREE-PHASE
RATED POWER: 8.6 kVA
INPUT PLUG: SEE IDENTIFICATION TABLE
INPUT POWER CORD: SEE IDENTIFICATION TABLE
REGULATORY STANDARD: RoHS COMPLIANT

IDENTIFICATION TABLE
EN1814-WXYZ



- NOTES:**
- PRIMARY DIMENSIONS ARE IN MILLIMETERS. SECONDARY DIMENSIONS ARE IN [INCHES]
 - SEE PRODUCT OVERVIEW AND SPECIFICATIONS SHEET FOR FURTHER INFORMATION STANDARD INPUT POWER CORD LENGTH IS 3000MM[118.0IN]
 - DETAILED INSTALLATION INSTRUCTIONS CAN BE FOUND IN THE QUICK START GUIDE
 - BRACKET KITS TO MOUNT TO SPECIFIC RACKS & ENCLOSURES ARE AVAILABLE AS OPTIONS
 - CONNECT SUPPLEMENTARY EXTERNAL EARTH GROUND TO THE 10-32 SIZE THREADED NUT

UNLESS NOTED, DIMENSIONS IN MILLIMETERS & TOLERANCES ARE: X, ± 1 MM X.X ± 0.5 MM X.XX ± 0.20 MM ØX.X ± 0.4 MM ØX.XX ± 0.20 MM BRACKETED DIMENSIONS ARE IN INCHES FOR REFERENCE ONLY	DESIGNER & DATE: Huang 2020-8-17	CISGLOBAL
	STANDARDIZATION/CHECKER & DATE: Aric Wang 2020-8-17	
THIRD ANGLE PROJECTION	DFM & DATE: Talon 2020-8-17	DESCRIPTION: EN2.0 PDU
	APPROVER & DATE: Hanson 2020-8-17	
IF 2D AND 3D DIFFER, 2D SHALL TAKE PRECEDENCE	ITEM WEIGHT (REFERENCE ONLY):	P/N: TA-EN1814-WXYZ
	MATERIAL: Assembly	REV: E1
	SCALE 1:1 (DO NOT SCALE DRAWING)	SIZE: A2
		SHEET 1 OF 2





THE INFORMATION CONTAINED IN THIS DRAWING IS THE SOLE PROPERTY OF CIS. ANY REPRODUCTION IN PART OR WHOLE WITHOUT WRITTEN PERMISSION OF CIS IS PROHIBITED.

enLOGIC

Power Distribution Unit

SKU #: EN1814-WXYZ
 Model #: EP16024-0052
 INPUT: 120-208VAC, WYE, 3PHASE, 50/60Hz, 24A
 OUTPUT: 5-20R; 100-120VAC, 16A per outlet
 C13/C19; 200-240VAC, 10/16A per outlet
 24A Total
 MAC0 Address: XX-XX-XX-XX-XX-XX
 MAC1 Address: XX-XX-XX-XX-XX-XX

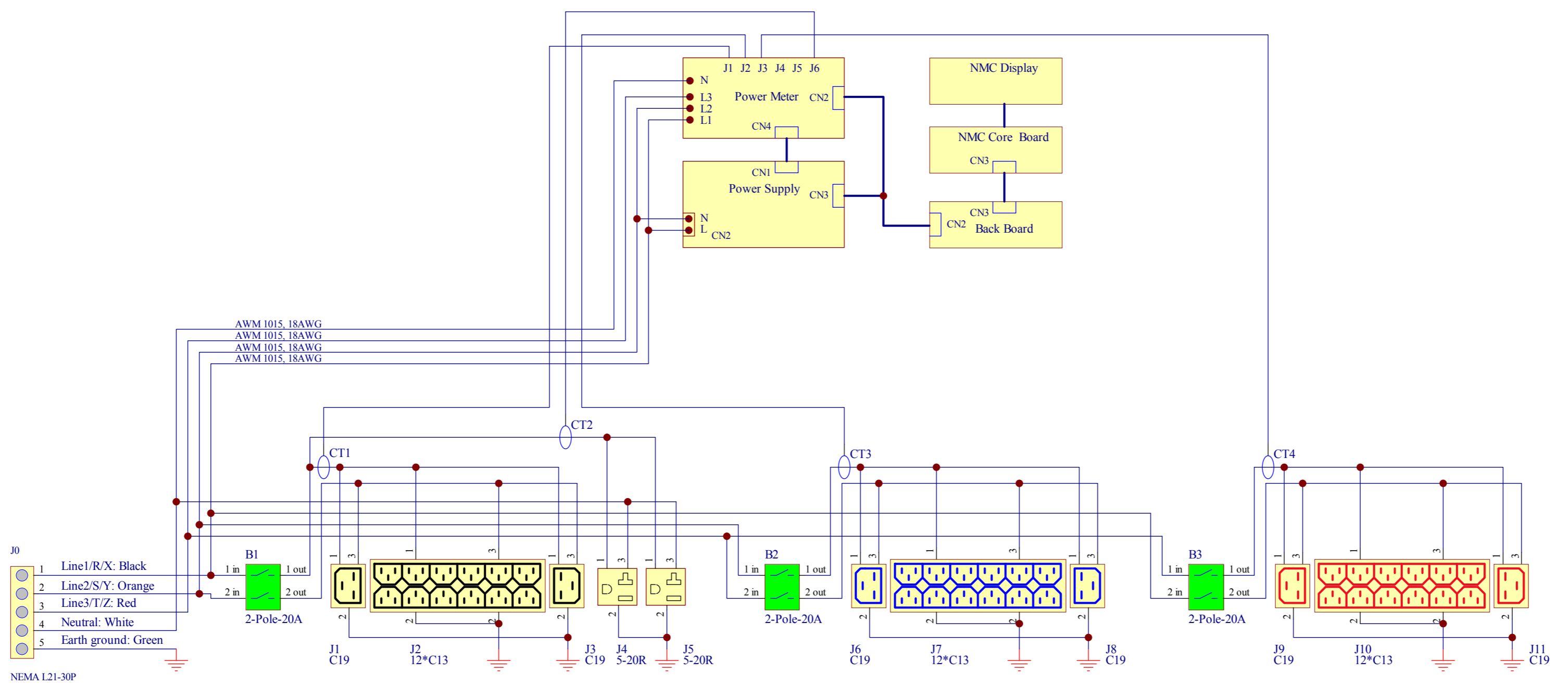
THIS DEVICE COMPLIES WITH PART 15 OF THE FCC RULES. OPERATION IS SUBJECT TO THE FOLLOWING TWO CONDITIONS: (1) THIS DEVICE MAY NOT CAUSE HARMFUL INTERFERENCE, AND (2) THIS DEVICE MUST ACCEPT ANY INTERFERENCE RECEIVED, INCLUDING INTERFERENCE THAT MAY CAUSE UNDESIRABLE OPERATION. CAN ICES-3(A)/NMB-3(A)

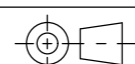
Serial Number: XXXXXXXX
 Made In XXXXXX
 Mfr. Name: XXXXXXXXXXXXXXXXXXXX

COMPLIANCE LABEL

- NOTES:**
1. INTERNAL WIRING:
- | | |
|---------------------|------------------------------|
| WIRE TYPE: | UL AWM 1015, 10 & 12 & 18AWG |
| LINE 1/R/X COLOR: | BLACK/BROWN |
| LINE 2/S/Y COLOR: | ORANGE/BLACK |
| LINE 3/T/Z COLOR: | RED/WHITE |
| EARTH GROUND COLOR: | GREEN/YELLOW STRIPE |
| NEUTRAL WIRE COLOR: | WHITE/BLUE |



INTERNAL WIRING SCHEMATIC

UNLESS NOTED, DIMENSIONS IN MILLIMETERS & TOLERANCES ARE: X, ± 1 MM X.X ± 0.5 MM X.XX ± 0.20 MM ØX.X ± 0.4 MM ØX.XX ± 0.20 MM	DESIGNER & DATE: Huang 2020-8-17	CISGLOBAL
	STANDARDIZATION/CHECKER & DATE: Aric Wang 2020-8-17	
BRACKETED DIMENSIONS ARE IN INCHES FOR REFERENCE ONLY  THIRD ANGLE PROJECTION IF 2D AND 3D DIFFER, 2D SHALL TAKE PRECEDENCE	DFM & DATE: Talon 2020-8-17	P/N: TA-EN1814-WXYZ
	APPROVER & DATE: Hanson 2020-8-17	
	ITEM WEIGHT (REFERENCE ONLY): Assembly	SCALE 1:1 (DO NOT SCALE DRAWING) SIZE: A2 SHEET 2 OF 2