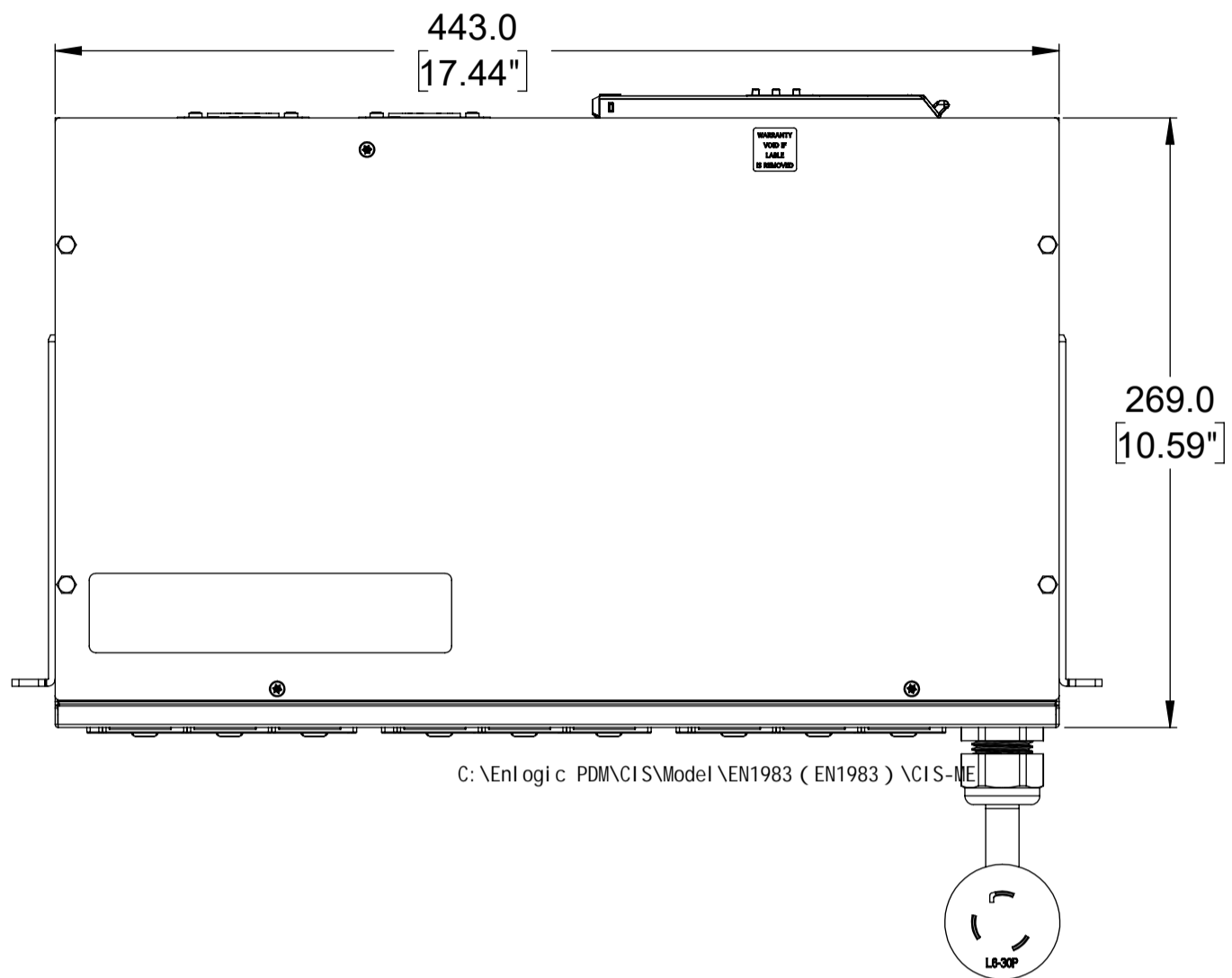
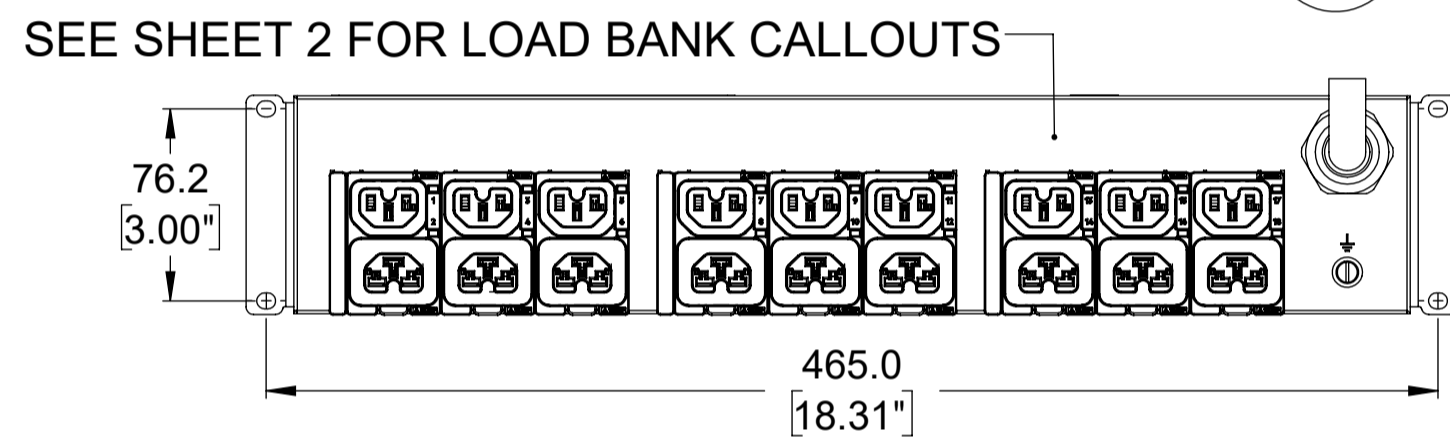


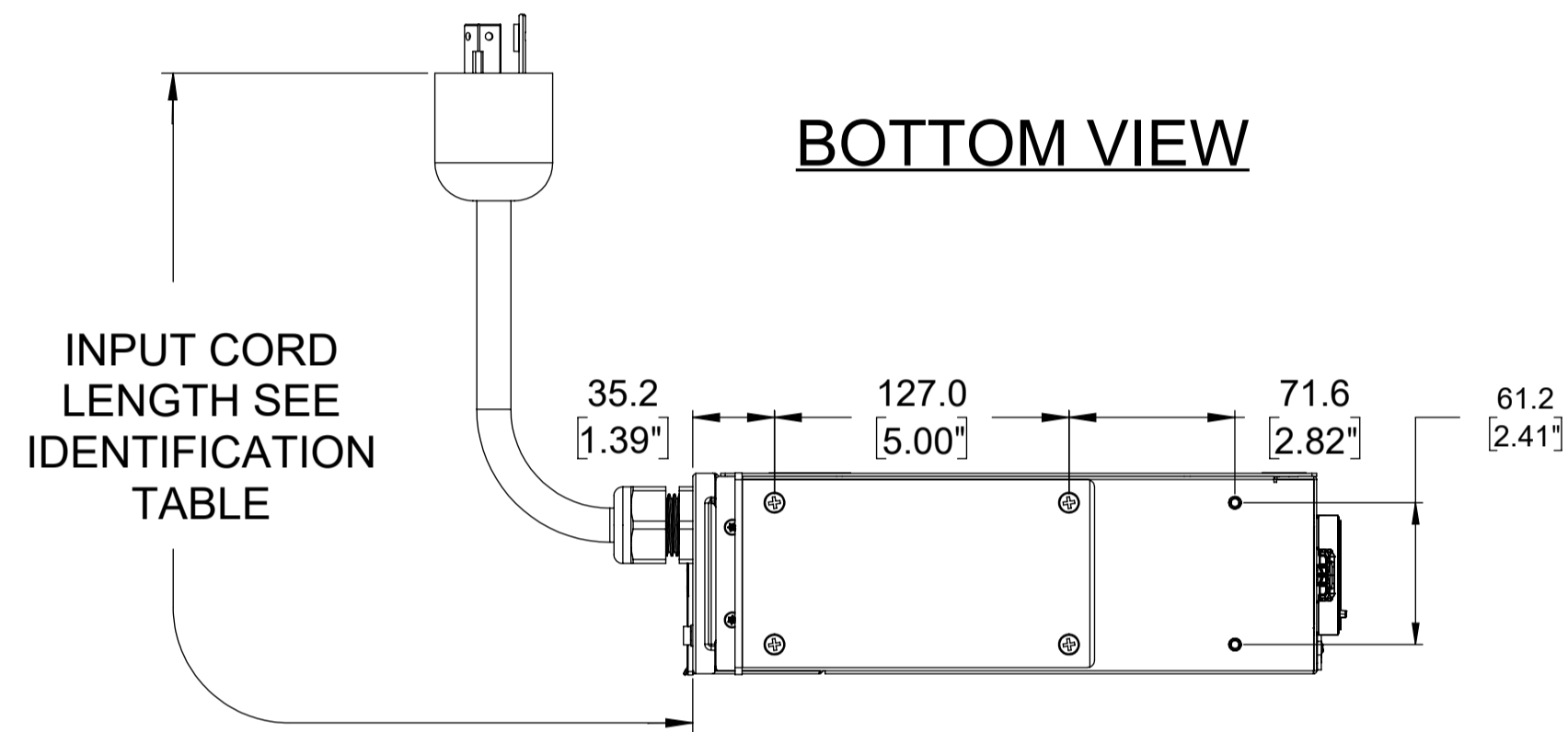
REAR VIEW



TOP VIEW



FRONT VIEW



BOTTOM VIEW

DESIGN(PDU)  
ENGINEERING

**TECHNICAL SPECIFICATIONS**

UNIT TYPE:	MONITORED & SWITCHED PER OUTLET
ORIENTATION:	HORIZONTAL, 2U
OUTLET QTY & TYPE:	(9) C13/ C15, (9) C13/ C15/ C19
INPUT VOLTAGE:	208VAC
INPUT CURRENT:	30A (24A DERATED)
BREAKER QTY & TYPE:	(2) 20AMP, DOUBLE-POLE 5KAIC
INPUT PHASE:	SINGLE-PHASE
RATED POWER:	5.0kVA
INPUT PLUG:	SEE NOTE 7
INPUT POWER CORD:	SEE IDENTIFICATION TABLE

**FEATURES**

METERING ACCURACY	+/-1% TO ISO/ IEC 62052-21
METERING ATTRIBUTES	VOLTAGE(V), CURRENT(A), APPARENT POWER(kVA), REAL POWER(kW), POWER FACTOR, ENERGY(kWh)
METERED COMPONENTS	INPUT(PHASE), BREAKERS, OUTLETS
REMOTE OUTLET SWITCHING	YES

**ENVIRONMENTAL CONDITIONS**

OPERATING TEMPERATURE	-5 TO 60 C (23 TO 140 F)
STORAGE TEMPERATURE	-20 TO 60 C (-4 TO 140 F)
HUMIDITY (OPERATING/STORAGE)	5-90% RH / 5-95% RH; NON-CONDENSING
MAX OPERATING ELEVATION, ABOVE MSL	3000M (9840 FT)

**COMPLIANCE**

SAFETY & ENVIRONMENTAL	IEC 62368-1 LISTED, FCC, CSA, RoHS COMPLIANT
------------------------	--

**IDENTIFICATION TABLE**

**EN 6 3 4 1**

MODEL IS SHOWN IN DEFAULT CONFIGURATION. FOR OPTIONAL CONFIGURATIONS, USE ITEM IDENTIFIER CODE IN PLACE OF EACH ASTERISK. ORDERABLE BASED ON FORMAT: EN####-\*\*\*\*

INPUT PLUG	CHASSIS COLOR	CORD OPTION	ORIENTATION
(DEFAULT) NEMA L6-30P = 0	(DEFAULT) BLACK = 0 BLUE = B RED = R GREEN = G WHITE = W YELLOW = Y	(DEFAULT) 3m [10'] = 0 1m [3.2'] = 1 2m [6.6'] = 2 3m [10'] = 3	(DEFAULT) TOP-FRONT FED = 0 BOTTOM FEED = 2
OPTIONS LISTED ON THIS ROW ARE NON STANDARD, CONTACT SALES FOR ADDITIONAL INFORMATION		ORANGE = A 0.5m [1.6'] = A 1.5m [4.9'] = B 2.5m [8.2'] = C	1.2m [4'] = G 1.8m [6'] = F 4.0m [13.1'] = 4

**NOTES:**

- INSTALLATION SHALL COMPLY WITH ALL APPLICABLE NATIONAL, STATE AND LOCAL CODES.
- PRIMARY DIMENSIONS ARE IN MILLIMETERS. SECONDARY DIMENSIONS ARE IN [INCHES]
- UNIVERSAL MOUNTING BRACKET IS AN ALTERNATIVE MOUNTING METHOD TO THE TOOLLESS MOUNT FOR 3RD PARTY ENCLOSURES. BRACKET IS PROVIDED WITH THE UNIT.
- DETAILED INSTALLATION INSTRUCTIONS CAN BE FOUND IN THE QUICK START GUIDE
- CONNECT EXTERNAL EARTH GROUND TO THE 10-32 SIZE THREADED NUT
- SEE PRODUCT DOCUMENTATION FOR FURTHER INFORMATION
- INPUT PLUG CONFIGURATION (SEE IDENTIFICATION TABLE) FOR DUAL-RATED UNITS, NEMA PLUGS ARE NAM RATED ONLY AND CAPTIVE AUS/NZ PLUGS ARE EMEA RATED ONLY



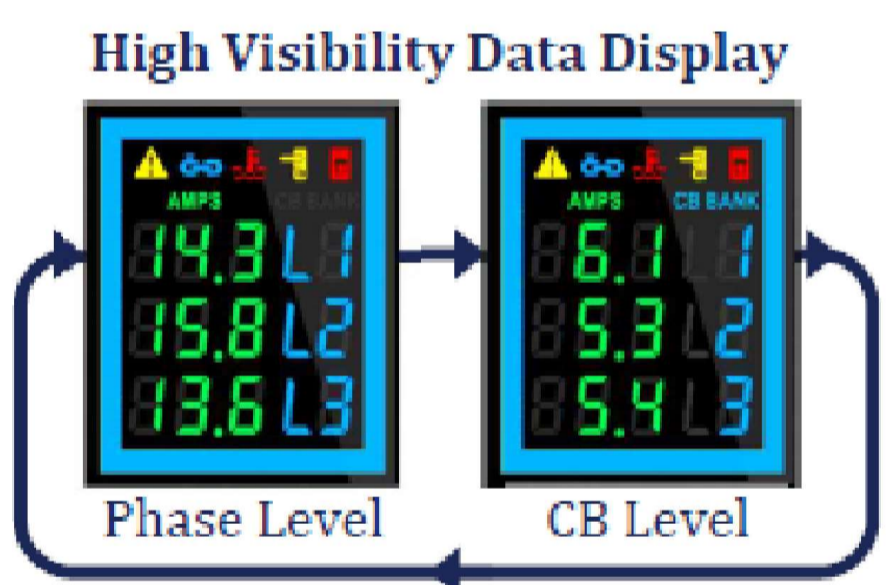
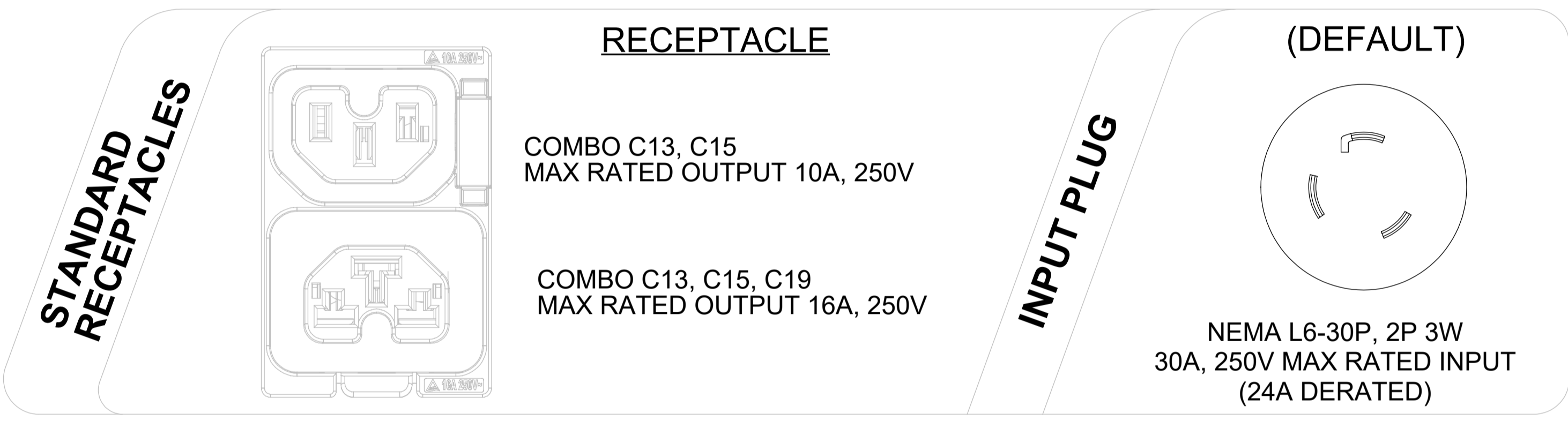
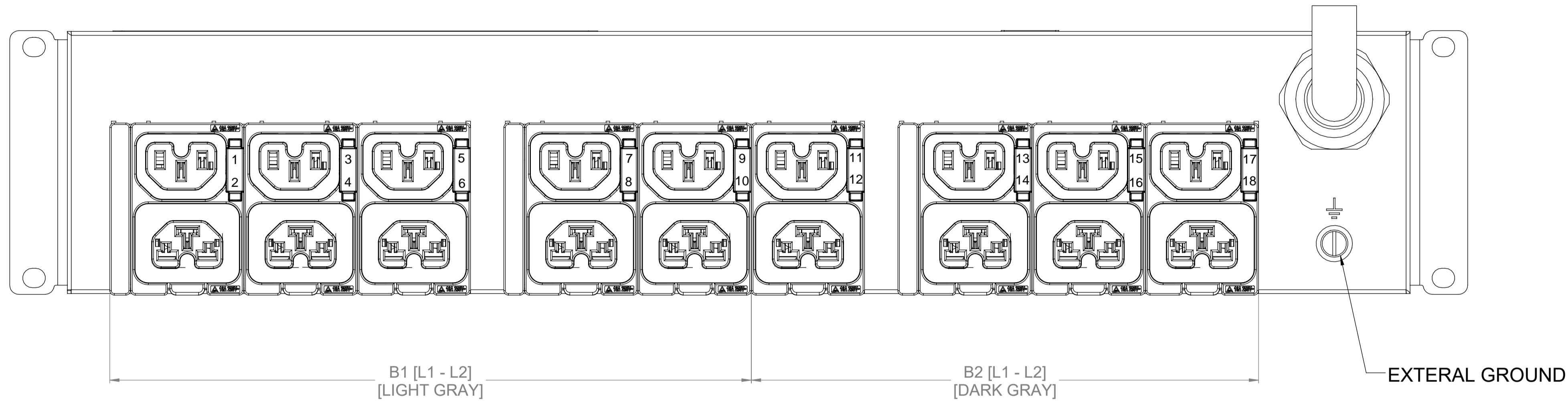
THIS DRAWING AND SPECIFICATIONS HEREIN ARE THE PROPERTY OF CIS GLOBAL AND SHALL NOT BE COPIED, REPRODUCED OR USED IN WHOLE OR IN PART, AS THE BASIS FOR THE MANUFACTURE OR SALE OF ITEMS WITHOUT WRITTEN PERMISSION FROM CIS GLOBAL. THIS DRAWING IS BASED UPON LATEST AVAILABLE INFORMATION AND IS SUBJECT TO CHANGE WITHOUT NOTICE

CIS-PEC-2305-0023	E2	REMOVED MARKING OF THE COMPLIANCE LABEL	2022/05/19	YAN
	E1	INITIAL RELEASE	2022/03/13	LRF
ECN/ECO	REV.	DESCRIPTION	DATE	APPROVED

**REVISIONS**

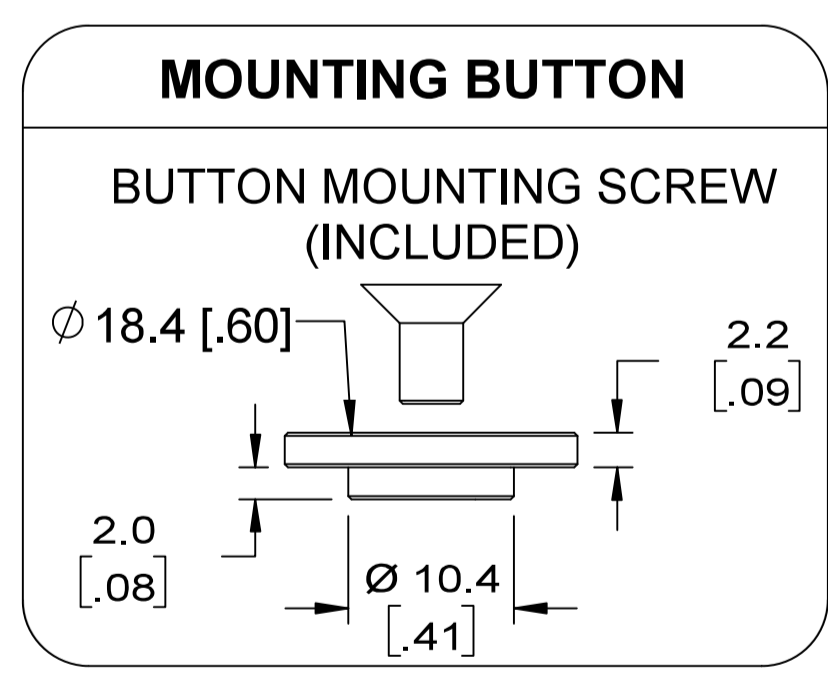
TITLE:	ADVANTAGE SERIES METERED & SWITCHED PER OUTLET	UNLESS NOTED, DIMENSIONS ARE IN MILLIMETERS & TOLERANCES ARE: X. ±1 MM X.X ±0.5 MM X.XX ±0.20 MM ØX.X ±0.3 MM ØX.XX ±0.10 MM BRACKETED DIMENSIONS ARE IN INCHES FOR REFERENCE ONLY THRID ANGLE PROJECTION INTERPRET PER ASME Y14.5M-1994	PART NO: EN6341-WXYZ_DA	REV. E2
PROJECT:	enLOGIC		DRAWN BY: LRF	2022/03/13
			ENGINEER: LJB	2022/05/19
			APPROVED BY: HANSON	2022/05/19
			SCALE:1:3 (DO NOT SCALE DRAWING)	SHEET 1 OF 3 SIZE: A3

**DESIGN<sup>(PDU)</sup>  
ENGINEERING**



- Critical Alarm Alerts**
- ▲ PDU Alarm
  - ⚡ Cascade Error
  - 🌡 Environmental Alarm
  - 🚨 Alarm
  - 🔒 Security Alarm
  - 🔧 Circuit Breaker Alarm
- Source Color Coding (User Selected Option)**
- 
- User Interactive Display (for setup and detailed information)**
- Setup
  - Alarms
  - Power
  - Sensors
  - Reset
- 10/100 Ethernet Port (for redundancy and Ethernet cascading)**
- Digital Sensor Port 2**

- USB-C** (upgrades, connectivity, and future-proof expansion)
- 10/100/Gigabit Ethernet Port** (primary network port)
- Digital Sensor Port 1** (supports up to 8 physical sensors)



**NOTES:**  
 1. INSTALLATION SHALL COMPLY WITH ALL APPLICABLE NATIONAL, STATE AND LOCAL CODES.  
 2. SEE PRODUCT DOCUMENTATION FOR FURTHER INFORMATION

**enLOGIC by nvent**

THIS DRAWING AND SPECIFICATIONS HEREIN ARE THE PROPERTY OF CIS GLOBAL AND SHALL NOT BE COPIED, REPRODUCED OR USED IN WHOLE OR IN PART, AS THE BASIS FOR THE MANUFACTURE OR SALE OF ITEMS WITHOUT WRITTEN PERMISSION FROM CIS GLOBAL. THIS DRAWING IS BASED UPON LATEST AVAILABLE INFORMATION AND IS SUBJECT TO CHANGE WITHOUT NOTICE

**TITLE:**  
 ADVANTAGE SERIES  
 METERED & SWITCHED PER OUTLET

**PROJECT:**  
**enLOGIC**

UNLESS NOTED, DIMENSIONS ARE IN MILLIMETERS & TOLERANCES ARE:  
 X. ±1 MM X° ±1°  
 X.X ±0.5 MM X.X° ±0.5°  
 X.XX ±0.20 MM  
 Ø X.X ±0.3 MM  
 Ø X.XX ±0.10 MM

BRACKETED DIMENSIONS ARE IN INCHES FOR REFERENCE ONLY

⊘ THRID ANGLE PROJECTION  
 INTERPRET PER ASME Y14.5M-1994

<b>PART NO:</b> EN6341-WXYZ_DA	<b>REV.</b> E2
<b>DRAWN BY:</b> LRF	2022/03/13
<b>ENGINEER:</b> LJB	2022/05/19
<b>APPROVED BY:</b> HANSON	2022/05/19
<b>SCALE:</b> 1:1 (DO NOT SCALE DRAWING)	<b>SIZE:</b> SHEET 2 OF 3 <b>A3</b>

**enLOGIC** RACK Power Distribution Unit **Made In XXXXX**  
Metered&Switched per outlet

SKU #: EN6341-WXYZ  
Model #: EP161224-0072-C  
INPUT: 200-240VAC, 1PHASE, 50/60Hz, 24A  
OUTPUT: C13/C15 COMBO; 200-240VAC, 10A per outlet  
C13/C15/C19 COMBO; 200-240VAC, 16A max per outlet  
24A Total

MAC0 Address: XX-XX-XX-XX-XX-XX  
MAC1 Address: XX-XX-XX-XX-XX-XX

FC C SP US 300805

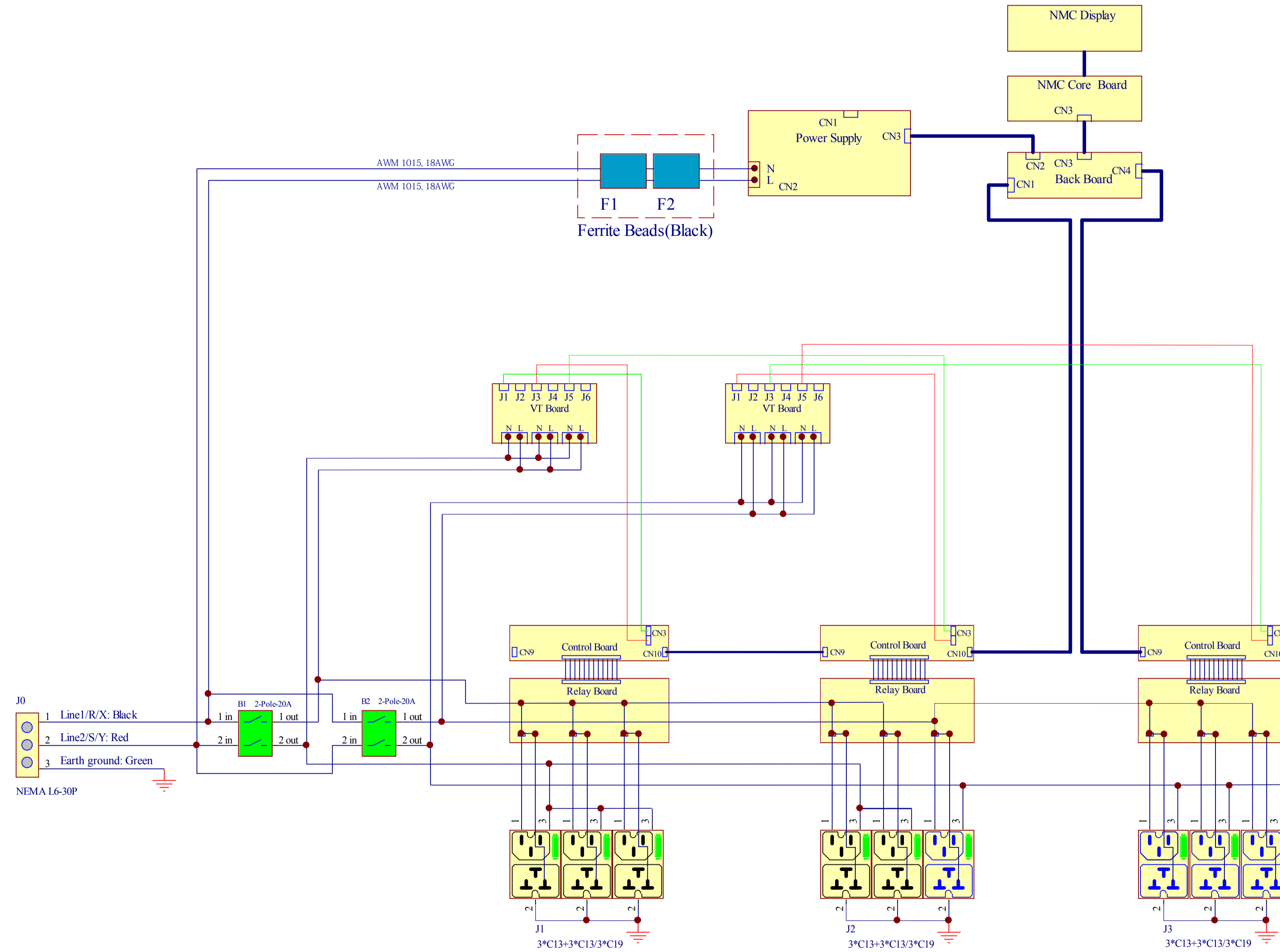
Serial Number: XXXXXXXX

THIS DEVICE COMPLIES WITH PART 15 OF THE FCC RULES. OPERATION IS SUBJECT TO THE FOLLOWING TWO CONDITIONS:  
(1) THIS DEVICE MAY NOT CAUSE HARMFUL INTERFERENCE, AND (2) THIS DEVICE MUST ACCEPT ANY INTERFERENCE RECEIVED, INCLUDING INTERFERENCE THAT MAY CAUSE UNDESIRABLE OPERATION. CAN ICES-3(A)/NMB-3(A)

**DESIGN (PDU)  
ENGINEERING**

- NOTES:  
1. INTERNAL WIRING:  
WIRE TYPE: UL AWM 1015, 10 & 12 & 18AWG  
LINE 1/R/X COLOR: BLACK  
LINE 2/S/Y COLOR: RED  
EARTH GROUND COLOR: GREEN

**COMPLIANCE LABEL**



**INTERNAL WIRING SCHEMATIC**

- NOTES:  
1. INSTALLATION SHALL COMPLY WITH ALL APPLICABLE NATIONAL, STATE AND LOCAL CODES.  
2. SEE PRODUCT DOCUMENTATION FOR FURTHER INFORMATION  
3. THIS DRAWING DEPICTS THE POWER SYSTEM CONNECTIONS AND IS NOT REPRESENTATIVE OF THE PHYSICAL LAYOUT. PLEASE REFER TO MECHANICAL DRAWINGS FOR PHYSICAL LAYOUT.



THIS DRAWING AND SPECIFICATIONS HEREIN ARE THE PROPERTY OF CIS GLOBAL AND SHALL NOT BE COPIED, REPRODUCED OR USED IN WHOLE OR IN PART, AS THE BASIS FOR THE MANUFACTURE OR SALE OF ITEMS WITHOUT WRITTEN PERMISSION FROM CIS GLOBAL. THIS DRAWING IS BASED UPON LATEST AVAILABLE INFORMATION AND IS SUBJECT TO CHANGE WITHOUT NOTICE

TITLE:  
ADVANTAGE SERIES  
METERED & SWITCHED PER OUTLET

PROJECT:  
**enLOGIC**

UNLESS NOTED, DIMENSIONS ARE IN MILLIMETERS & TOLERANCES ARE:  
X. ±1 MM X° ±1°  
X.X ±0.5 MM X.X° ±0.5°  
X.XX ±0.20 MM  
ØX.X ±0.3 MM  
ØX.XX ±0.10 MM  
BRACKETED DIMENSIONS ARE IN INCHES FOR REFERENCE ONLY  
THIRD ANGLE PROJECTION  
INTERPRET PER ASME Y14.5M-1994

PART NO:	EN6341-WXYZ_DA	REV:	E2
DRAWN BY:	LRF	DATE:	2022/03/13
ENGINEER:	LJB	DATE:	2022/05/19
APPROVED BY:	HANSON	DATE:	2022/05/19
SCALE:	1:1 (DO NOT SCALE DRAWING)	SHEET:	3 OF 3
		SIZE:	A3