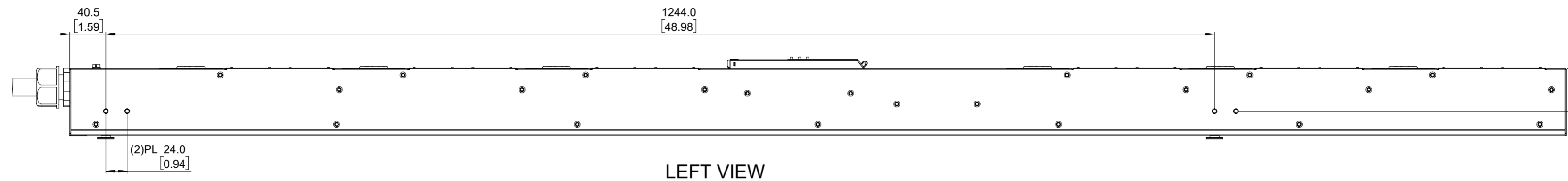


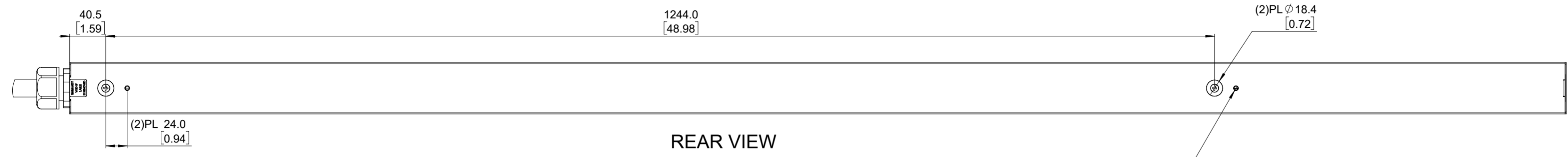
THE INFORMATION CONTAINED IN THIS DRAWING IS THE SOLE PROPERTY OF CIS. ANY REPRODUCTION IN PART OR WHOLE WITHOUT WRITTEN PERMISSION OF CIS IS PROHIBITED.

ECN/ECO	PLACES	REV.	DESCRIPTION	SIGN	DATE
-		E1	RELEASE	Aric Wang	2020.07.30
-		E2	UPDATE THE OUTLET & COMPLIANCE LABEL	Luo.jingbo	2020-09-22
CIS-ECN-2201-0012		E3	UPDATE THE IDENTIFICATION LABEL	FYZ	2022-01-14

DESIGN (PLAS)  
ENGINEERING

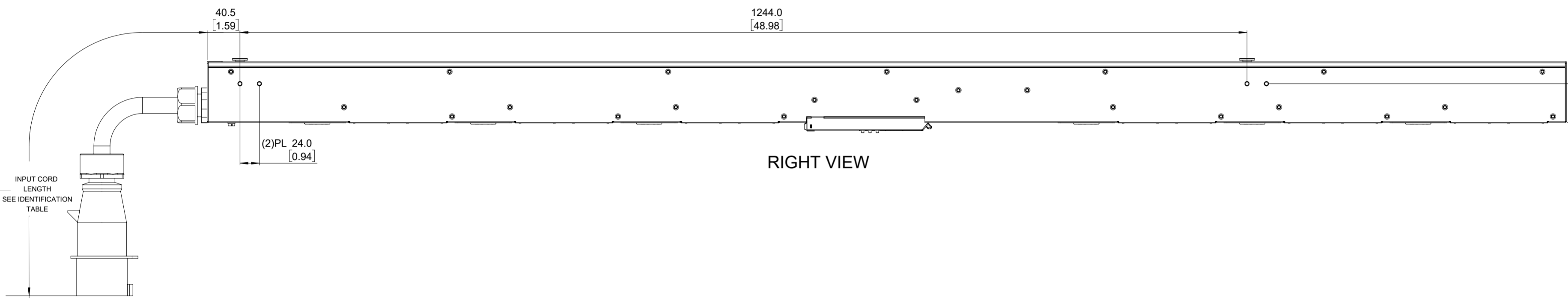


LEFT VIEW



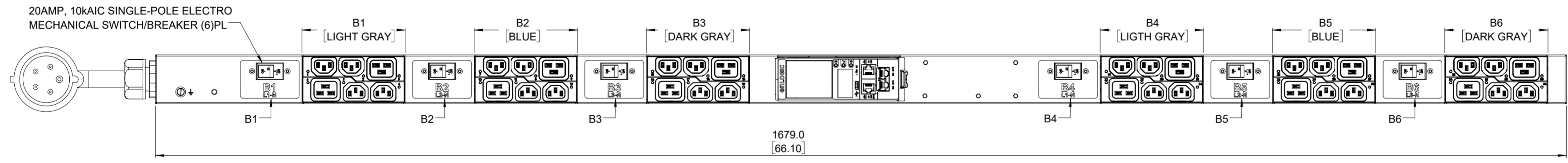
REAR VIEW

TOOLESS MOUNTING  
BUTTON LOCATIONS (12)PL

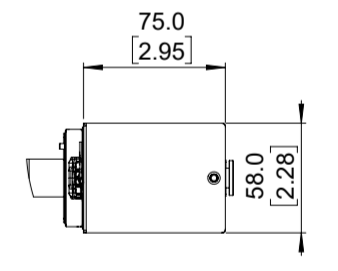


RIGHT VIEW

INPUT CORD  
LENGTH  
SEE IDENTIFICATION  
TABLE



FRONT VIEW



BOTTOM VIEW

IDENTIFICATION TABLE	EN6833-	* INPUT PLUG	* CHASSIS COLOR	* CORD OPTION	* ORIENTATION
MODEL IS SHOWN IN DEFAULT CONFIGURATION. FOR OPTIONAL CONFIGURATIONS, USE ITEM IDENTIFIER CODE IN PLACE OF EACH ASTERISK. ORDERABLE BASED ON FORMAT: SKU NUMBER - ****		(DEFAULT) 532P6 IP44=0 (OPTIONAL) 532P6 IP67=W	(DEFAULT) BLACK = 0 BLUE = B RED = R WHITE = W GREEN = G YELLOW = Y	(DEFAULT) 3m [10'] = 0 1m [3.2'] = 1 2m [6.6'] = 2	(DEFAULT) TOP FEED = 0 BOTTOM FEED = 2
OPTIONS LISTED ON THIS ROW ARE NON STANDARD, CONTACT SALES FOR ADDITIONAL INFORMATION			ORANGE = A	0.5m [1.6'] = A 1.8m [6'] = F 1.5m [4.9'] = B 1.2m [4'] = G 2.5m [8.2'] = C 3.65m [12'] = H 3.5m [11.4'] = D 4m [13.2'] = 4 4.5m [14.7'] = E	

**PLUG/RECEPTACLE BLOCK**

**PLUG**  
IEC 60309, 4P 5W, 6H  
IP44(SPLASHPROOF)  
32A/30A DUAL-RATED  
345-415/200-240V MAX RATED INPUT

**RECEPTACLE**  
IEC 60320/C19  
16A, 250V MAX RATED OUTPUT

**RECEPTACLE**  
IEC 60320/C13  
10A, 250V MAX RATED OUTPUT

**SPECIFICATION:**

UNIT TYPE: MONITORED & SWITCHED PER OUTLET  
ORIENTATION: VERTICAL, 0U FULL  
OUTLET QTY & TYPE: (24)C13, (12)C19  
INPUT VOLTAGE: 346-415/200-240VAC  
INPUT CURRENT: 32A/30A(24A DERATED) DUAL-RATED  
BREAKER QTY & TYPE: (6) 20A, 10kAIC SINGLE-POLE  
INPUT PHASE: THREE-PHASE (WYE)  
RATED POWER: 22.1kVA(EMEA)/17.3kVA(NAM)  
INPUT PLUG: SEE IDENTIFICATION TABLE  
INPUT POWER CORD: SEE IDENTIFICATION TABLE  
REGULATORY STANDARD: RoHS COMPLIANT

- NOTES:**
1. PRIMARY DIMENSIONS ARE IN MILLIMETERS. SECONDARY DIMENSIONS ARE IN [INCHES]
  2. SEE PRODUCT OVERVIEW AND SPECIFICATIONS SHEET FOR FURTHER INFORMATION  
STANDARD INPUT POWER CORD LENGTH IS 3000MM[118.0IN]
  3. DETAILED INSTALLATION INSTRUCTIONS CAN BE FOUND IN THE QUICK START GUIDE
  4. BRACKET KITS TO MOUNT TO SPECIFIC RACKS & ENCLOSURES ARE AVAILABLE AS OPTIONS
  5. CONNECT SUPPLEMENTARY EXTERNAL EARTH GROUND TO THE 10-32 SIZE THREADED NUT

UNLESS NOTED, DIMENSIONS IN MILLIMETERS & TOLERANCES ARE:

X ± 1 MM  
X.X ± 0.6 MM X° ± 1°  
X.XX ± 0.30 MM X.X° ± 0.5°  
ØX.X ± 0.3 MM  
ØX.XX ± 0.10 MM

BRACKETED DIMENSIONS ARE IN INCHES FOR REFERENCE ONLY

THIRD ANGLE PROJECTION

INTERPRET PER ASME Y14.5M-1994  
IF 2D AND 3D DIFFER, 2D SHALL TAKE PRECEDENCE

DESIGNER & DATE:  
Jingbo Luo 2020/7/30

CHECKER & DATE:  
Aric Wang 2022/01/14

STANDARDIZATION & DATE:  
Talon Lv 2022/01/14

APPROVER & DATE:  
Hanson Xu 2022/01/14

ITEM WEIGHT (REFERENCE ONLY):  
g

MATERIAL:

**CISGLOBAL**

DESCRIPTION:  
EN2.0 PDU

P/N:  
TA-EN6833-WXYZ\_DA

REV:  
E3

SCALE 1:4 (DO NOT SCALE DRAWING) SIZE: A2 SHEET 1 OF 2

**enLOGIC**

SKU #: EN6833-WXYZ  
 Model#: EP82024-0032(NA)/EP62032-0032(EU)  
 INPUT: 200-240/346-415VAC, WYE, 3PHASE, 50/60Hz, 24A(NA), OR 200-240/346-415VAC, WYE, 3PHASE, 50/60Hz, 32A(EU)  
 OUTPUT: C13; 200-240VAC, 10A per outlet  
 C19; 200-240VAC, 16A per outlet  
 24A Total(NA) OR 32A Total(EU)  
 MACO Address:XX-XX-XX-XX-XX-XX  
 MAC1 Address:XX-XX-XX-XX-XX-XX

**Power Distribution Unit**

THIS DEVICE COMPLIES WITH PART 15 OF THE FCC RULES. OPERATION IS SUBJECT TO THE FOLLOWING TWO CONDITIONS: (1) THIS DEVICE MAY NOT CAUSE HARMFUL INTERFERENCE, AND (2) THIS DEVICE MUST ACCEPT ANY INTERFERENCE RECEIVED, INCLUDING INTERFERENCE THAT MAY CAUSE UNDESIRABLE OPERATION. CARICES-3(A)(NMB-3(A))

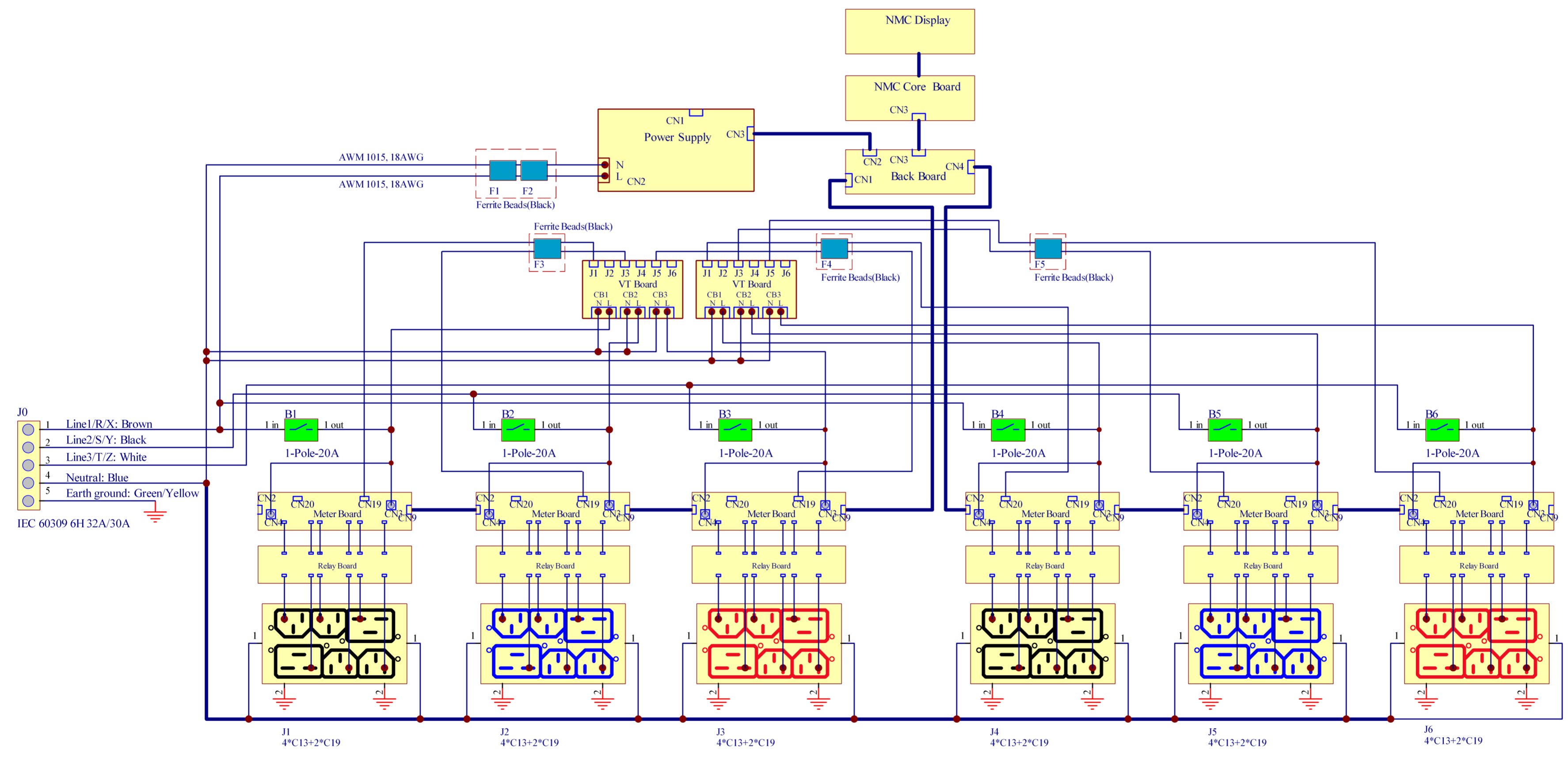
CE, FC, UL, LISTED, I.T.E. E342729

SKU#: EN6833-WXYZ  
 Serial Number: XXXXXXXX  
 Made in: XXXXXX (Factory ID: A)  
 Mfr. Name: XXXXXXXXXXXXX

DESIGN(PDU)  
ENGINEERING

- NOTES:**
- INTERNAL WIRING:
    - WIRE TYPE: UL AWM 1015, 10& 12 & 18AWG
    - LINE 1/R/X COLOR: BROWN
    - LINE 2/S/Y COLOR: BLACK
    - LINE 3/T/Z COLOR: WHITE
    - LINE 3/T/Z COLOR: WHITE
    - EARTH GROUND COLOR: GREEN/YELLOW STRIPE
    - NEUTRAL WIRE COLOR: BLUE
  - FOR FINISHED GOOD PART NUMBER SEE IDENTIFICATION

**COMPLIANCE LABEL**



**INTERNAL WIRING SCHEMATIC**

<p>UNLESS NOTED, DIMENSIONS IN MILLIMETERS &amp; TOLERANCES ARE:</p> <p>X. ± 1 MM                  X.X ± 0.6 MM                  X.XX ± 0.30 MM                  ØX.X ± 0.3 MM                  ØX.XX ± 0.10 MM</p> <p>BRACKETED DIMENSIONS ARE IN INCHES FOR REFERENCE ONLY</p> <p style="text-align: center;">THIRD ANGLE PROJECTION</p> <p style="font-size: 8px;">INTERPRET PER ASME Y14.5M-1994                  IF 2D AND 3D DIFFER, 2D SHALL TAKE PRECEDENCE</p>	<p>DESIGNER &amp; DATE: Jingbo Luo 2020/7/30</p> <p>CHECKER &amp; DATE: Aric Wang 2022/01/14</p> <p>STANDARDIZATION &amp; DATE: Talon Lv 2022/01/14</p> <p>APPROVER &amp; DATE: Hanson Xu 2022/01/14</p> <p>ITEM WEIGHT (REFERENCE ONLY): g</p> <p>MATERIAL:</p>	<p style="font-size: 24px; font-weight: bold; text-align: center;">CISGLOBAL</p> <p style="text-align: center;">DESCRIPTION: EN2.0 PDU</p> <p style="text-align: center;">P/N: TA-EN6833-WXYZ_DA</p> <p style="text-align: center;">REV: E3</p> <p style="text-align: center;">SCALE 1:1 (DO NOT SCALE DRAWING)    SIZE: A2    SHEET 2 OF 2</p>
---	--	---