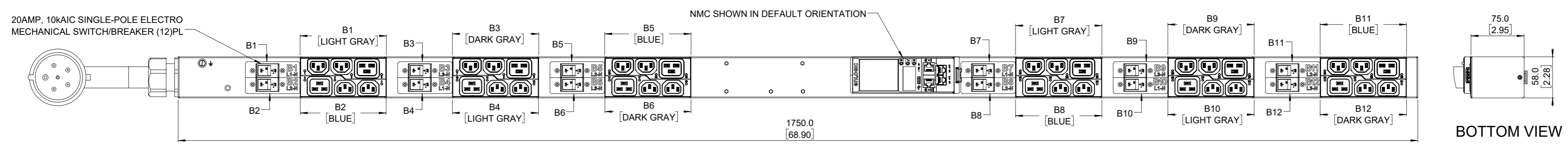
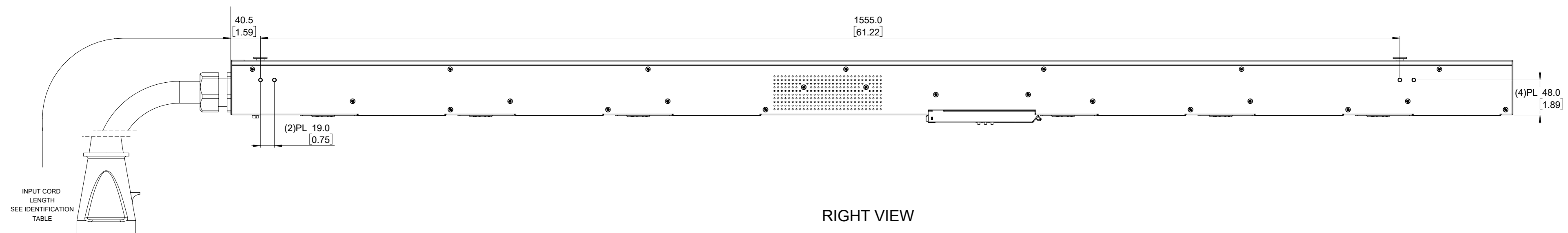
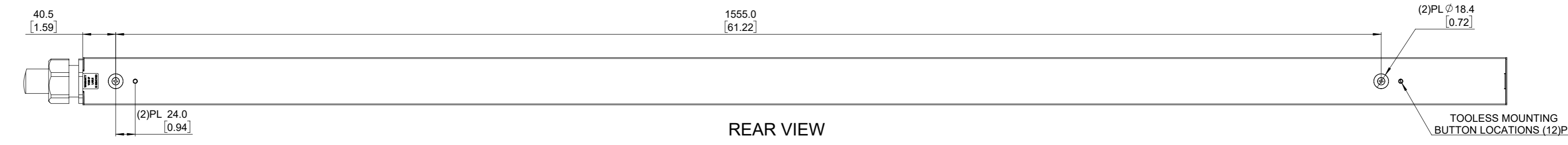
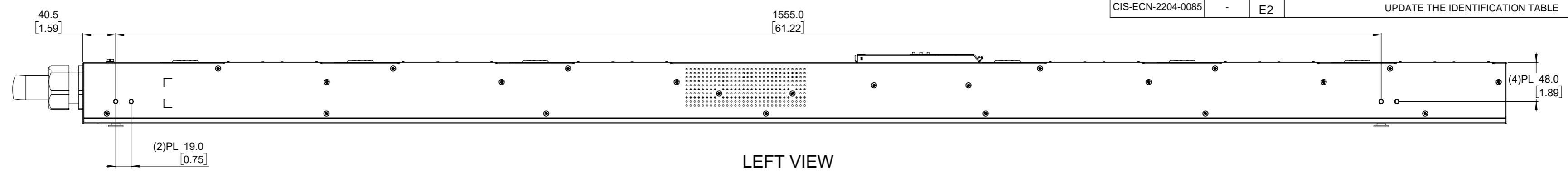


THE INFORMATION CONTAINED IN THIS DRAWING IS THE SOLE PROPERTY OF CIS. ANY REPRODUCTION IN PART OR WHOLE WITHOUT WRITTEN PERMISSION OF CIS IS PROHIBITED.

REVISIONS				SIGN	DATE
ECN/ECD	PLACES	REV.	DESCRIPTION		
-	-	E1	Design Release	Luo Jingbo	2020.12.16
CIS-ECN-2204-0085	-	E2	UPDATE THE IDENTIFICATION TABLE	Yan Xie	2022.04.08



IDENTIFICATION TABLE	EN6908-*	INPUT PLUG*	CHASSIS COLOR*	CORD OPTION*	ORIENTATION*
MODEL IS SHOWN IN DEFAULT CONFIGURATION. FOR OPTIONAL CONFIGURATIONS, USE ITEM IDENTIFIER CODE IN PLACE OF EACH ASTERISK. ORDERABLE BASED ON FORMAT: SKU NUMBER - ****	(DEFAULT) 560P6 IP44=0 (OPTIONAL) 560P6W IP67=1	(DEFAULT) BLACK = 0 RED = R GREEN = G	BLUE = B WHITE = W YELLOW = Y	(DEFAULT) 3m [10"] = 0 1m [3.2"] = 1 2m [6.6"] = 2	(DEFAULT) TOP FEED = 0 BOTTOM FEED = 2
OPTIONS LISTED ON THIS ROW ARE NON STANDARD, CONTACT SALES FOR ADDITIONAL INFORMATION		ORANGE = A		0.5m [1.6"] = A 1.5m [4.9"] = B 2.5m [8.2"] = C 3.5m [11.4"] = D 4.5m [14.7"] = E	1.8m [6"] = F 1.2m [4"] = G 3.65m [12"] = H 4m [13.2"] = 4

- NOTES:**
- PRIMARY DIMENSIONS ARE IN MILLIMETERS. SECONDARY DIMENSIONS ARE IN [INCHES]
 - SEE PRODUCT OVERVIEW AND SPECIFICATIONS SHEET FOR FURTHER INFORMATION STANDARD INPUT POWER CORD LENGTH IS 3000MM[118.0IN]
 - DETAILED INSTALLATION INSTRUCTIONS CAN BE FOUND IN THE QUICK START GUIDE
 - BRACKET KITS TO MOUNT TO SPECIFIC RACKS & ENCLOSURES ARE AVAILABLE AS OPTIONS
 - CONNECT SUPPLEMENTARY EXTERNAL EARTH GROUND TO THE 10-32 SIZE THREADED NUT

PLUG/RECEPTACLE BLOCK

PLUG
IEC 60309, 3P 5W, 6H
IP44 (SPASHPROOF)
60A / 63A, 346-415V MAX RATED INPUT (48A DERATED)

RECEPTACLE
IEC 60320/C19
16A, 250V MAX RATED OUTPUT

RECEPTACLE
IEC 60320/C13
10A, 250V MAX RATED OUTPUT

SPECIFICATIONS:

UNIT TYPE:	MONITORED & SWITCHED PER OUTLET
ORIENTATION:	VERTICAL, 0U FULL
OUTLET QTY & TYPE:	(24)C13, (12)C19
INPUT VOLTAGE:	200-240/346-415 VAC(DUAL-RATED)
INPUT CURRENT:	60A (48A DERATED) NAM / 60A EU
BREAKER QTY & TYPE:	(12) 20A, 10KAIC SINGLE-POLE
INPUT PHASE:	THREE-PHASE (WYE)
RATED POWER:	34.6kVA(NAM)/41.4kVA(EU)
INPUT PLUG:	SEE IDENTIFICATION TABLE
INPUT POWER CORD:	SEE IDENTIFICATION TABLE
REGULATORY STANDARD:	RoHS COMPLIANT

UNLESS NOTED, DIMENSIONS IN MILLIMETERS & TOLERANCES ARE: X, ± 1 MM X.X ± 0.5 MM X.XX ± 0.20 MM ØX.X ± 0.4 MM ØX.XX ± 0.20 MM	DESIGNER & DATE: Yan Xie 2022.04.08	DESCRIPTION: EN2.0 MSPO
	STANDARDIZATION/CHECKER & DATE: Aric Wang 2022.04.08	
BRACKETED DIMENSIONS ARE IN INCHES FOR REFERENCE ONLY	DFM & DATE: Talon Iv 2022.04.08	P/N: TA-EN6908-WXYZ_DA
	APPROVER & DATE: Hanson Xu 2022.04.08	
THIRD ANGLE PROJECTION	ITEM WEIGHT (REFERENCE ONLY): Assembly	REV: E2
IF 2D AND 3D DIFFER, 2D SHALL TAKE PRECEDENCE	MATERIAL:	SCALE 1:1 (DO NOT SCALE DRAWING)

THE INFORMATION CONTAINED IN THIS DRAWING IS THE SOLE PROPERTY OF CIS. ANY REPRODUCTION IN PART OR WHOLE WITHOUT WRITTEN PERMISSION OF CIS IS PROHIBITED.

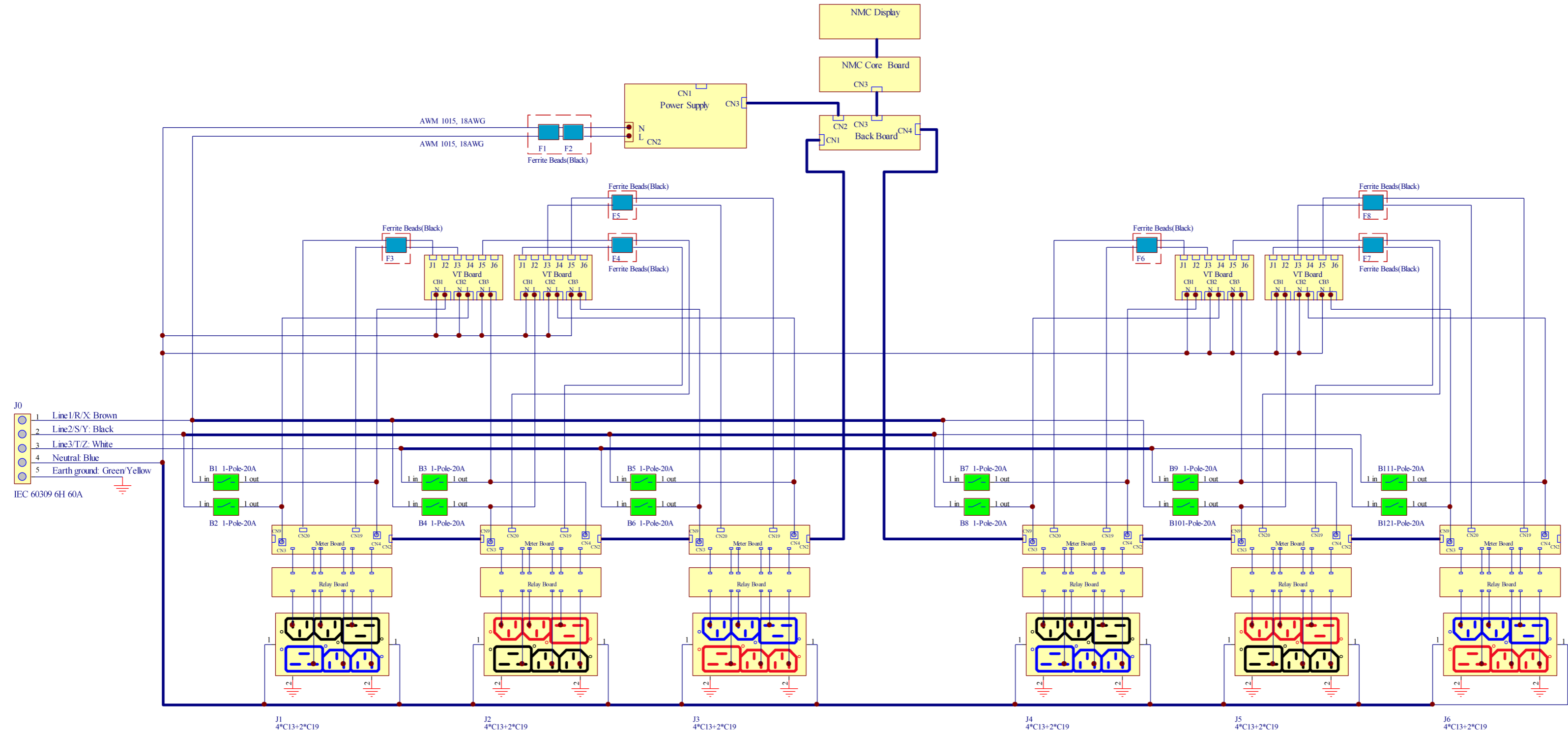
enLOGIC
 SKU #: EN6908
 Model #: EP62048-0032(NA)/EP62060-0032(EU)
 INPUT: 200-240/346-415VAC, WYE, 3Ø, 50/60Hz, 48A(NA) OR, 200-240/346-415VAC, WYE, 3Ø, 50/60Hz, 60A(EU)
 OUTPUT: C13; 200-240VAC, 10A per outlet
 C19; 200-240VAC, 16A per outlet
 48A Total(NA) OR 60A Total(EU)
 MAC0 Address: XX-XX-XX-XX-XX-XX
 MAC1 Address: XX-XX-XX-XX-XX-XX

Power Distribution Unit
 THIS DEVICE COMPLIES WITH PART 15 OF THE FCC RULES. OPERATION IS SUBJECT TO THE FOLLOWING TWO CONDITIONS: (1) THIS DEVICE MAY NOT CAUSE HARMFUL INTERFERENCE, AND (2) THIS DEVICE MUST ACCEPT ANY INTERFERENCE RECEIVED, INCLUDING INTERFERENCE THAT MAY CAUSE UNDESIRABLE OPERATION. CAN CES-3(A)/NMB-3(A)

Serial Number: XXXXXXXX
 Made In XXXXX
 Mfr Name: XXXXXXXXXXXXX

COMPLIANCE LABEL

- NOTES:
 1. INTERNAL WIRING:
 WIRE TYPE: UL AWM 1015, 10& 12 & 18AWG
 LINE 1/R/X COLOR: BROWN
 LINE 2/S/Y COLOR: BLACK
 LINE 3/T/Z COLOR: WHITE
 EARTH GROUND COLOR: GREEN/YELLOW STRIPE
 NEUTRAL WIRE COLOR: BLUE
 2. FOR FINISHED GOOD PART NUMBER SEE IDENTIFICATION



INTERNAL WIRING SCHEMATIC

UNLESS NOTED, DIMENSIONS IN MILLIMETERS & TOLERANCES ARE: X, ± 1 MM X.X ± 0.5 MM X.XX ± 0.20 MM ØX.X ± 0.4 MM ØX.XX ± 0.20 MM	DESIGNER & DATE: Yan Xie 2020.04.08	
	STANDARDIZATION/CHECKER & DATE: Aric Wang 2022.04.08	
BRACKETED DIMENSIONS ARE IN INCHES FOR REFERENCE ONLY 	DFM & DATE: Talon Iv 2022.04.08	DESCRIPTION: EN2.0 MSPO
	APPROVER & DATE: Hanson Xu 2022.04.08	
IF 2D AND 3D DIFFER, 2D SHALL TAKE PRECEDENCE	ITEM WEIGHT (REFERENCE ONLY): Assembly	P/N: TA-EN6908-WXYZ_DA
		REV: E2
		SCALE 1:1 (DO NOT SCALE DRAWING)
		SIZE: A2
		SHEET 2 OF 2