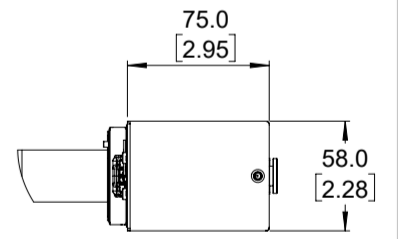
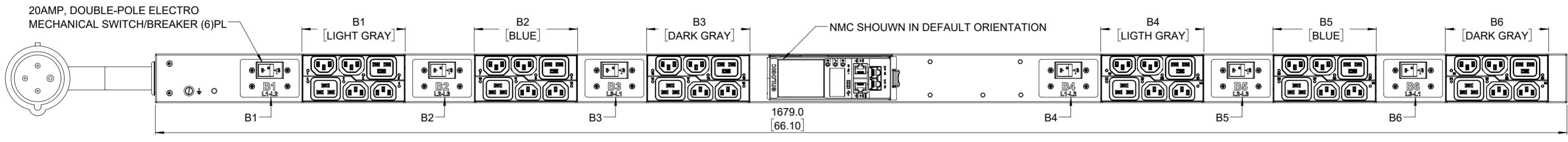
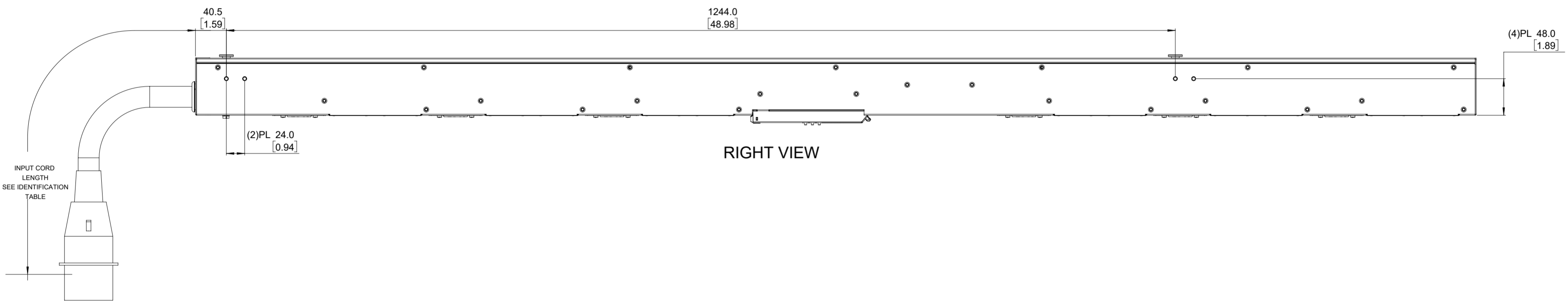
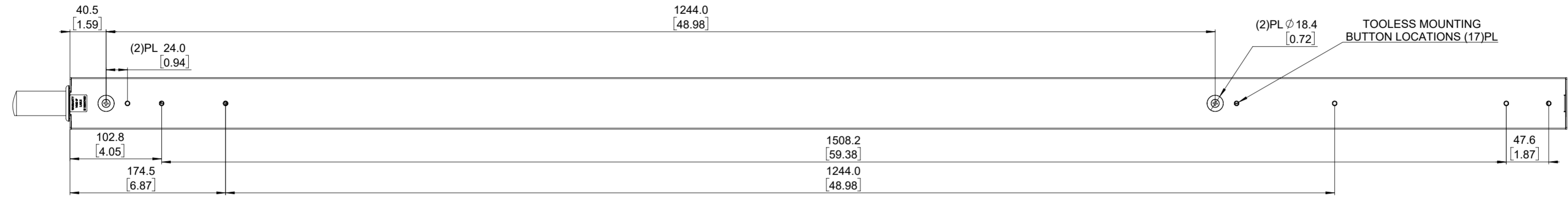
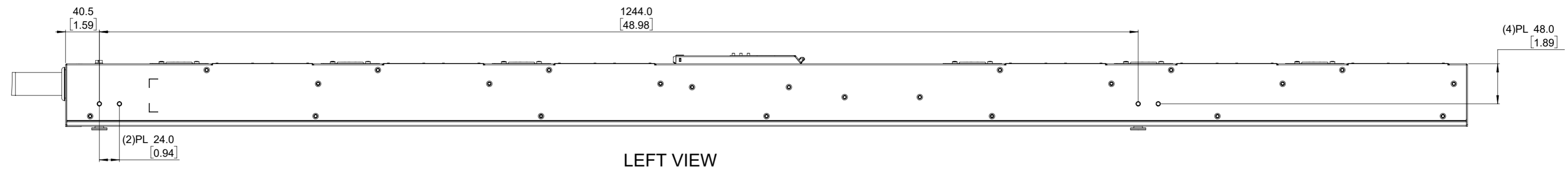


THE INFORMATION CONTAINED IN THIS DRAWING IS THE SOLE PROPERTY OF CIS. ANY REPRODUCTION IN PART OR WHOLE WITHOUT WRITTEN PERMISSION OF CIS IS PROHIBITED.

ECN/ECO		PLACES	REV.	REVISIONS		SIGN	DATE
-			E1	DESCRIPTION	RELEASE	LuoJingbo	2020-12-05



FRONT VIEW

BOTTOM VIEW

- NOTES:
1. PRIMARY DIMENSIONS ARE IN MILLIMETERS. SECONDARY DIMENSIONS ARE IN [INCHES]
 2. SEE PRODUCT OVERVIEW AND SPECIFICATIONS SHEET FOR FURTHER INFORMATION
STANDARD INPUT POWER CORD LENGTH IS 3000MM[118.0IN]
 3. DETAILED INSTALLATION INSTRUCTIONS CAN BE FOUND IN THE QUICK START GUIDE
 4. BRACKET KITS TO MOUNT TO SPECIFIC RACKS & ENCLOSURES ARE AVAILABLE AS OPTIONS
 5. CONNECT SUPPLEMENTARY EXTERNAL EARTH GROUND TO THE 10-32 SIZE THREADED NUT

PLUG/RECEPTACLE BLOCK

PLUG
IEC 60309, 3P 4W, 9H
IP44(SPLASHPROOF)
60A, 250V MAX RATED INPUT
(48A DERATED)

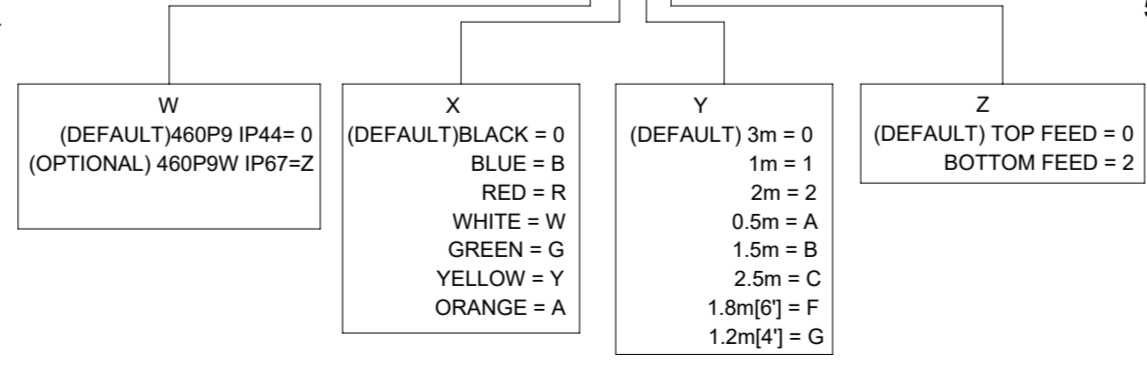
RECEPTACLE
IEC 60320/C19
16A, 250V MAX RATED OUTPUT

RECEPTACLE
IEC 60320/C13
10A, 250V MAX RATED OUTPUT

SPECIFICATION:

UNIT TYPE: MONITORED & SWITCHED PER OUTLET
ORIENTATION: VERTICAL, 0U FULL
OUTLET QTY & TYPE: (24)C13, (12)C19
INPUT VOLTAGE: 200-240VAC
INPUT CURRENT: 60A(48A DERATED)
BREAKER QTY & TYPE: (6) 20A, DOUBLE-POLE
INPUT PHASE: THREE-PHASE (DELTA)
RATED POWER: 17.3kVA
INPUT PLUG: SEE IDENTIFICATION TABLE
INPUT POWER CORD: SEE IDENTIFICATION TABLE
REGULATORY STANDARD: RoHS COMPLIANT

IDENTIFICATION TABLE
EN6909-WXYZ



UNLESS NOTED, DIMENSIONS IN MILLIMETERS & TOLERANCES ARE:

X, ±1 MM
X.X ±0.6 MM
X.XX ±0.30 MM
ØX.X ±0.3 MM
ØX.XX ±0.10 MM

X° ±1°
X.X° ±0.5°

BRACKETED DIMENSIONS ARE IN INCHES FOR REFERENCE ONLY

THIRD ANGLE PROJECTION

INTERPRET PER ASME Y14.5M-1994
IF 2D AND 3D DIFFER, 2D SHALL TAKE PRECEDENCE

DESIGNER & DATE:
Jingbo Luo

CHECKER & DATE:
XXXXX 2020/12/5

STANDARDIZATION & DATE:
XXXXX

APPROVER & DATE:
XXXXX

ITEM WEIGHT (REFERENCE ONLY):
g

MATERIAL:

CISGLOBAL

DESCRIPTION: EN2.0 MSPO

P/N: EN6909-WXYZ_DA

REV: E1

SCALE 1:4 (DO NOT SCALE DRAWING) SIZE: A2 SHEET 1 OF 2

enLOGIC

SKU #: EN6909-WXYZ
 Model#: EP64048-0032
 INPUT: 200-240VAC, DELTA, 3PHASE, 50/60Hz, 48A
 OUTPUT: C13; 200-240VAC, 10A per outlet
 C19; 200-240VAC, 16A per outlet
 48A Total
 MAC0 Address: XX-XX-XX-XX-XX-XX
 MAC1 Address: XX-XX-XX-XX-XX-XX

Power Distribution Unit

THIS DEVICE COMPLIES WITH PART 15 OF THE FCC RULES. OPERATION IS SUBJECT TO THE FOLLOWING TWO CONDITIONS:
 (1) THIS DEVICE MAY NOT CAUSE HARMFUL INTERFERENCE, AND
 (2) THIS DEVICE MUST ACCEPT ANY INTERFERENCE RECEIVED, INCLUDING INTERFERENCE THAT MAY CAUSE UNDESIRABLE OPERATION.
 CARICES: 34/11/06/20A)

UL LISTED I.T.E. E342729

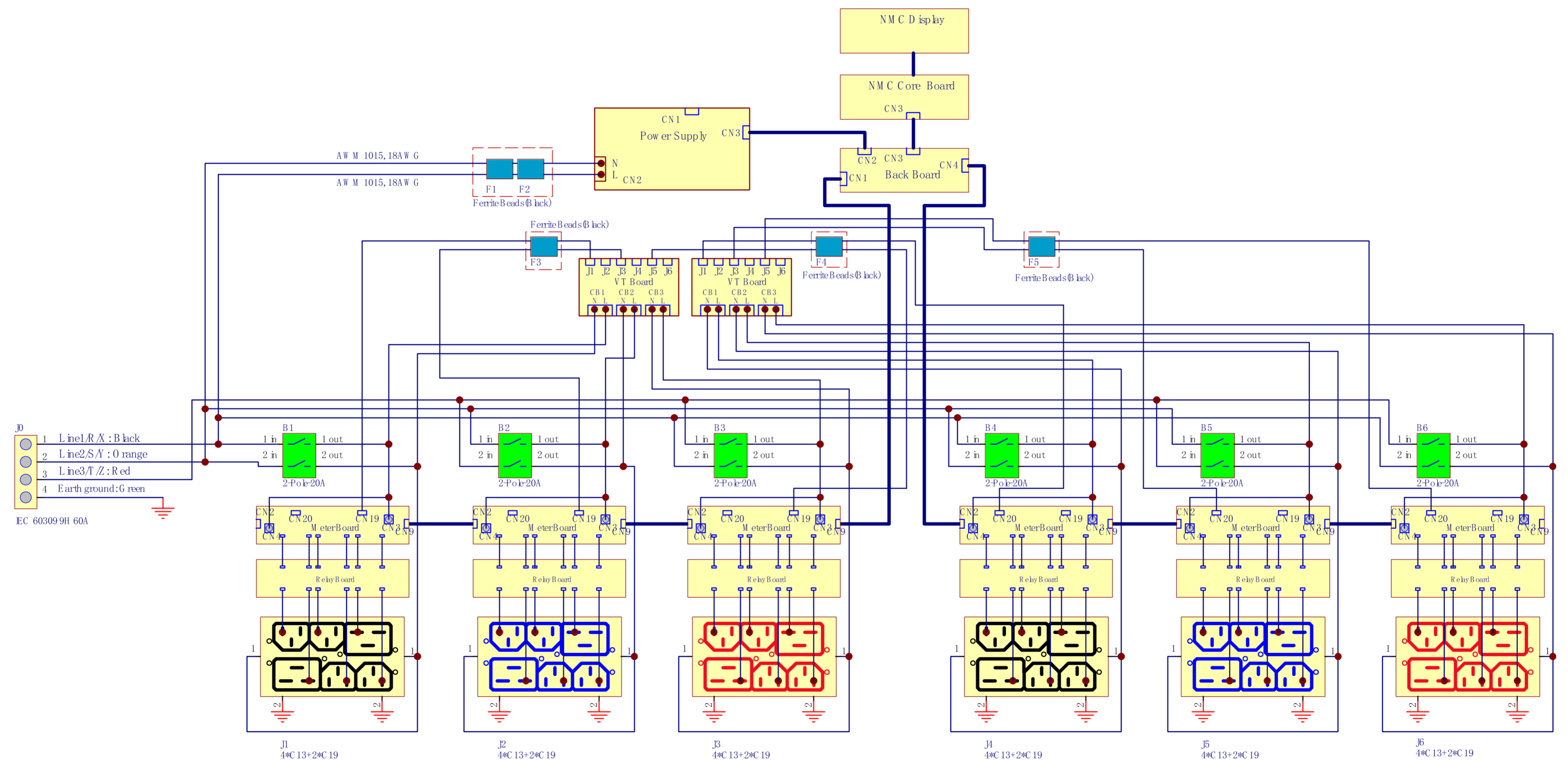
Serial Number: EN6909-WXYZ

XXXXXX

Made In XXXXX
(Factory ID: A)
Mfr Name: XXXXXXXXXXXXX

- NOTES:
- INTERNAL WIRING:
 - WIRE TYPE: UL AWM 1015, 8 & 12 & 18AWG
 - LINE 1/R/X COLOR: BLACK
 - LINE 2/S/Y COLOR: ORANGE
 - LINE 3/T/Z COLOR: RED
 - EARTH GROUND COLOR: GREEN STRIPE
 - FOR FINISHED GOOD PART NUMBER SEE IDENTIFICATION

COMPLIANCE LABEL



INTERNAL WIRING SCHEMATIC

UNLESS NOTED, DIMENSIONS IN MILLIMETERS & TOLERANCES ARE: X. ± 1 MM X.X ± 0.6 MM X.XX ± 0.30 MM ØX.X ± 0.3 MM ØX.XX ± 0.10 MM	DESIGNER & DATE: Jingbo Luo	CISGLOBAL
	CHECKER & DATE: XXXXX 2020/12/5	
BRACKETED DIMENSIONS ARE IN INCHES FOR REFERENCE ONLY	STANDARDIZATION & DATE: XXXXX	P/N: EN6909-WXYZ_DA
THIRD ANGLE PROJECTION	APPROVER & DATE: XXXXX	REV: E1
INTERPRET PER ASME Y14.5M-1994 IF 2D AND 3D DIFFER, 2D SHALL TAKE PRECEDENCE	ITEM WEIGHT (REFERENCE ONLY): g	SCALE 1:1 (DO NOT SCALE DRAWING)
	MATERIAL:	SIZE: A2 SHEET 2 OF 2