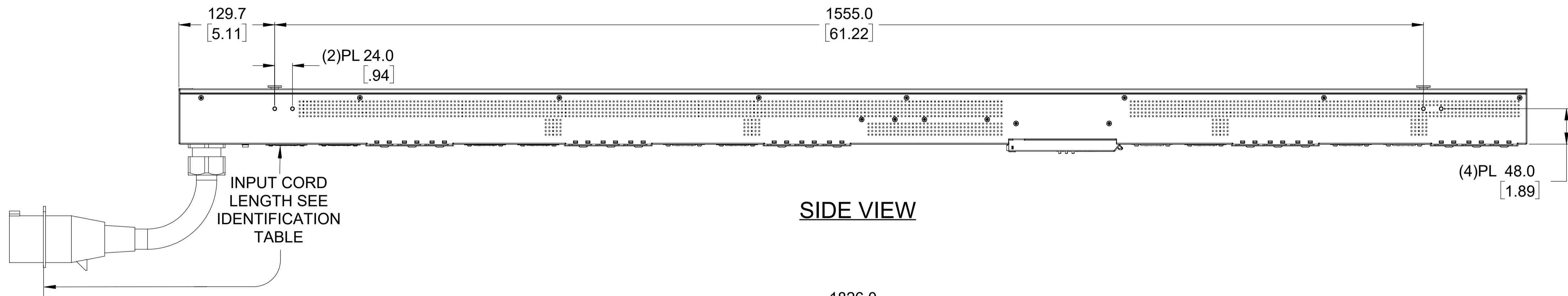
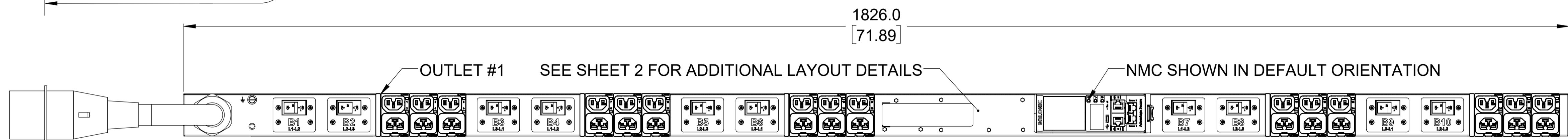


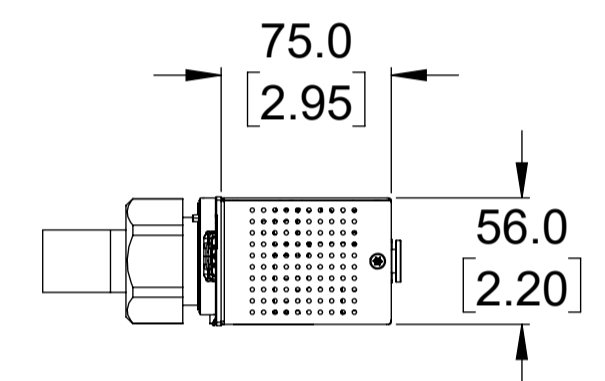
REAR VIEW



SIDE VIEW



FRONT VIEW



BOTTOM VIEW

DESIGN^(PDU)
ENGINEERING

TECHNICAL SPECIFICATIONS	
UNIT TYPE:	OUTLET METERED AND SWITCHED
ORIENTATION:	VERTICAL, 0U
OUTLET QTY & TYPE:	(15) C13/C15, (15)C13/C15/C19
INPUT VOLTAGE:	200-240VAC
INPUT CURRENT:	60A(48A DERATED)
BREAKER QTY & TYPE:	(10) 20AMP, DOUBLE-POLE 10KAIC
INPUT PHASE:	THREE-PHASE (DELTA)
RATED POWER:	17.3kVA
INPUT PLUG:	SEE NOTE 7
INPUT POWER CORD:	SEE IDENTIFICATION TABLE
FEATURES	
METERING ATTRIBUTES	VOLTAGE(V), CURRENT(A), APPARENT POWER(kVA), REAL POWER(kW), POWER FACTOR, ENERGY(kWh)
METERED COMPONENTS	INPUT(PHASE), BREAKERS, OUTLETS
REMOTE OUTLET SWITCHING	YES
ENVIRONMENTAL CONDITIONS	
OPERATING TEMPERATURE	-5 TO 60 C (23 TO 140 F)
STORAGE TEMPERATURE	-20 TO 60 C (-4 TO 140 F)
HUMIDITY (OPERATING/STORAGE)	5-90% RH / 5-95% RH; NON-CONDENSING
MAX OPERATING ELEVATION, ABOVE MSL	3000M (9840 FT)
COMPLIANCE	
SAFETY & ENVIRONMENTAL	IEC 62368-1 LISTED, CE, FCC, CSA, RoHS COMPLIANT

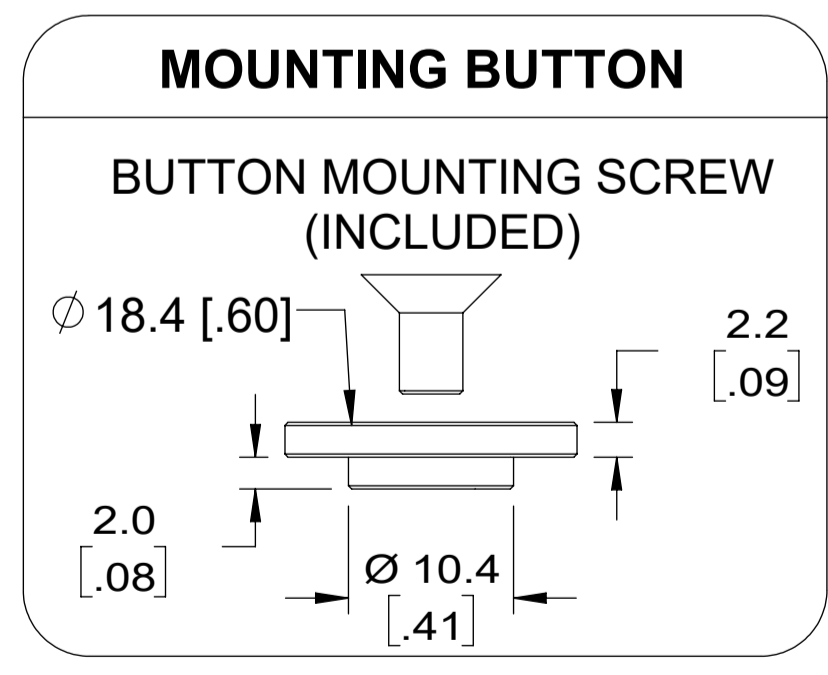
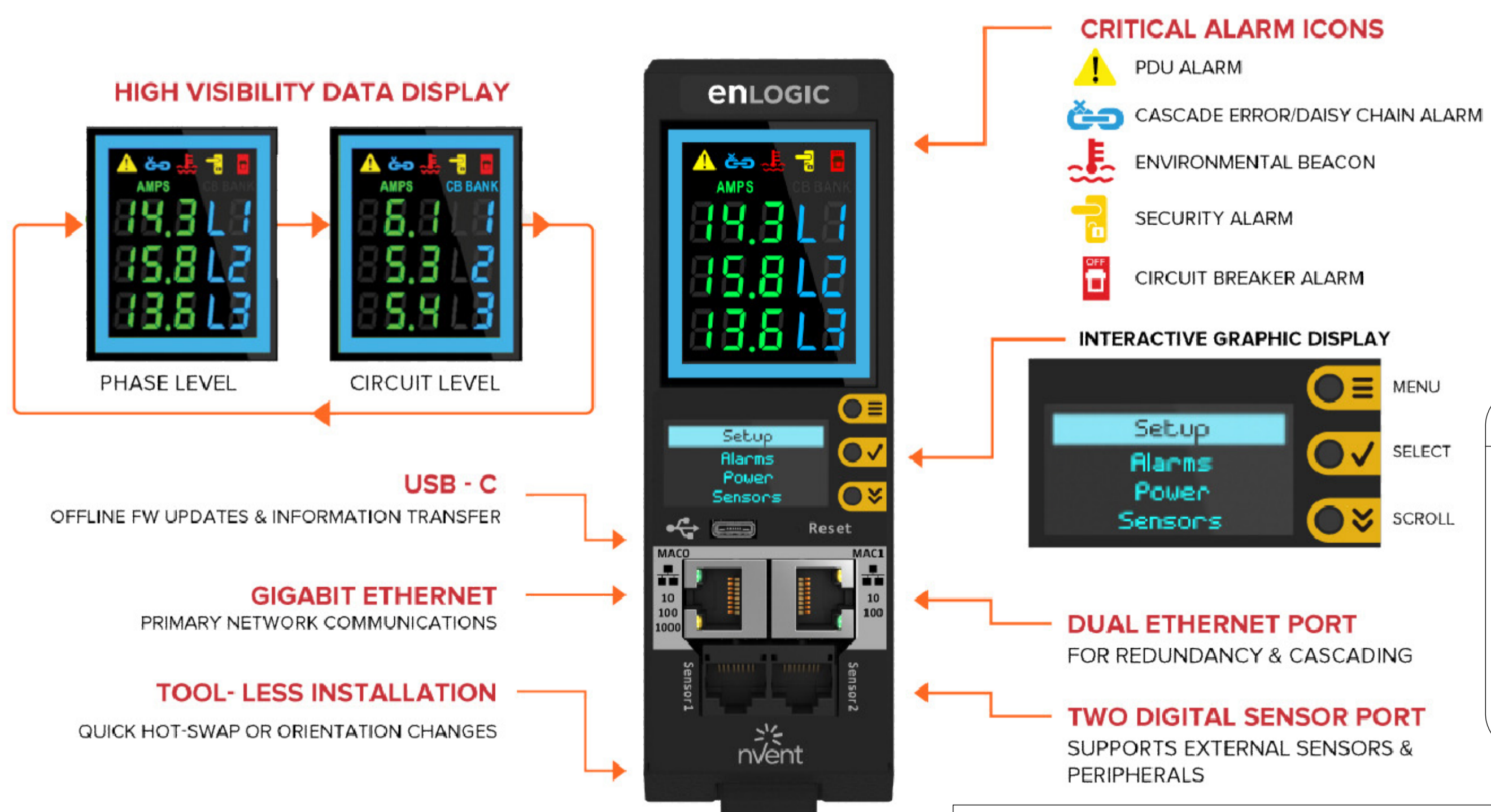
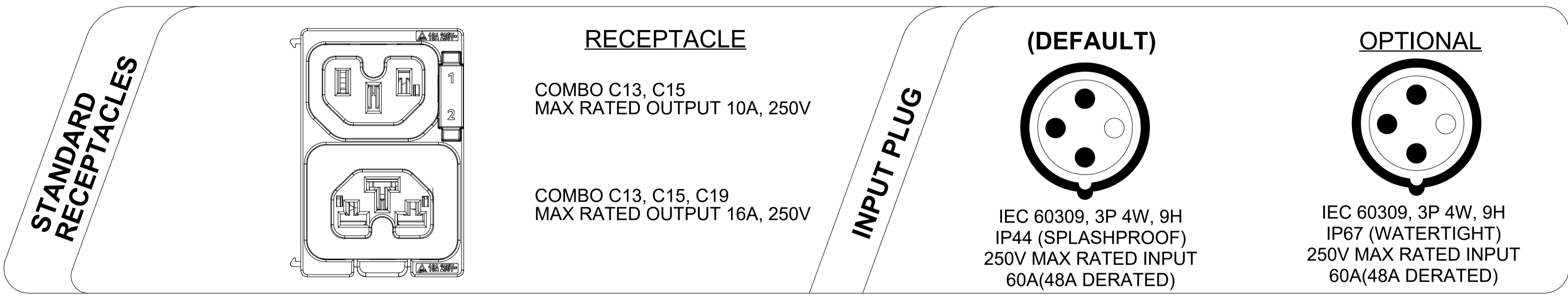
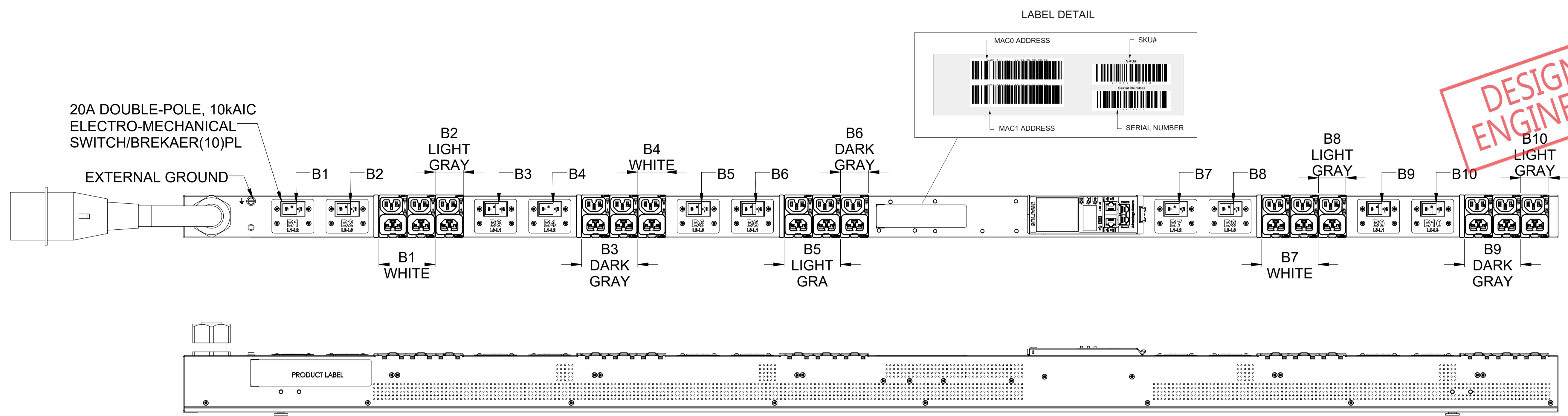
IDENTIFICATION TABLE	EN6961 -	* INPUT PLUG	* CHASSIS COLOR	* CORD OPTION	* ORIENTATION
MODEL IS SHOWN IN DEFAULT CONFIGURATION. FOR OPTIONAL CONFIGURATIONS, USE ITEM IDENTIFIER CODE IN PLACE OF EACH ASTERISK. ORDERABLE BASED ON FORMAT: EN6961 - *****	(DEFAULT) 460P9 (IP44) = 0	(DEFAULT) BLACK = 0 BLUE = B RED = R WHITE = W GREEN = G YELLOW = Y	(DEFAULT) 1.8m [6'] = 0 1m [3.2'] = 1 2m [6.6'] = 2 3m [10'] = 3	(DEFAULT) TOP FRONT FACE = 0 BOTTOM FRONT FACE = 3	
OPTIONS LISTED ON THIS ROW ARE NON STANDARD, CONTACT SALES FOR ADDITIONAL INFORMATION	(OPTIONAL) 460P9W (IP67) = Z	ORANGE = A	0.5m [1.6'] = A 1.5m [4.9'] = B 2.5m [8.2'] = C 3.5m [11.4'] = D 4.5m [14.7'] = E 1.2m [4'] = G 3.65m [12'] = H 4m [13.2'] = 4		

- NOTES:**
- INSTALLATION SHALL COMPLY WITH ALL APPLICABLE NATIONAL, STATE AND LOCAL CODES.
 - PRIMARY DIMENSIONS ARE IN MILLIMETERS. SECONDARY DIMENSIONS ARE IN [INCHES]
 - UNIVERSAL MOUNTING BRACKET IS AN ALTERNATIVE MOUNTING METHOD TO THE TOOLLESS MOUNT FOR 3RD PARTY ENCLOSURES. BRACKET IS PROVIDED WITH THE UNIT.
 - DETAILED INSTALLATION INSTRUCTIONS CAN BE FOUND IN THE QUICK START GUIDE
 - CONNECT EXTERNAL EARTH GROUND TO THE 10-32 SIZE THREADED NUT
 - SEE PRODUCT DOCUMENTATION FOR FURTHER INFORMATION
 - INPUT PLUG CONFIGURATION (SEE IDENTIFICATION TABLE) FOR DUAL-RATED UNITS, NEMA PLUGS ARE NAM RATED ONLY AND CAPTIVE AUS/NZ PLUGS ARE EMEA RATED ONLY

THIS DRAWING AND SPECIFICATIONS HEREIN ARE THE PROPERTY OF CIS GLOBAL AND SHALL NOT BE COPIED, REPRODUCED OR USED IN WHOLE OR IN PART, AS THE BASIS FOR THE MANUFACTURE OR SALE OF ITEMS WITHOUT WRITTEN PERMISSION FROM CIS GLOBAL. THIS DRAWING IS BASED UPON LATEST AVAILABLE INFORMATION AND IS SUBJECT TO CHANGE WITHOUT NOTICE

ECN/ECO	REV.	DESCRIPTION	DATE	APPROVED
	E1	INITIAL DRAFT REVIEW	2023/12/04	ZLF
REVISIONS				
TITLE:		UNLESS NOTED, DIMENSIONS ARE IN MILLIMETERS & TOLERANCES ARE:	PART NO:	REV.
ADVANTAGE SERIES OUTLET METERED AND SWITCHED		X. ±1 MM X.X ±0.5 MM X.XX ±0.20 MM ØX.X ±0.3 MM ØX.XX ±0.10 MM	EN6961-WXYZ_DA	E1
PROJECT:		BRACKETED DIMENSIONS ARE IN INCHES FOR REFERENCE ONLY	DRAWN BY:	2023/12/04
enLOGIC		⊕ THRID ANGLE PROJECTION	ENGINEER:	2023/12/04
		INTERPRET PER ASME Y14.5M-1994	APPROVED BY:	2023/12/04
			SCALE: N/A	SHEET 1 OF 3
				SIZE: A3

DESIGN (PDU) ENGINEERING



NOTES:

- INSTALLATION SHALL COMPLY WITH ALL APPLICABLE NATIONAL, STATE AND LOCAL CODES.
- SEE PRODUCT DOCUMENTATION FOR FURTHER INFORMATION

enLOGIC by nvent

THIS DRAWING AND SPECIFICATIONS HEREIN ARE THE PROPERTY OF CIS GLOBAL AND SHALL NOT BE COPIED, REPRODUCED OR USED IN WHOLE OR IN PART, AS THE BASIS FOR THE MANUFACTURE OR SALE OF ITEMS WITHOUT WRITTEN PERMISSION FROM CIS GLOBAL. THIS DRAWING IS BASED UPON LATEST AVAILABLE INFORMATION AND IS SUBJECT TO CHANGE WITHOUT NOTICE

	E1	INITIAL DRAFT REVIEW	2023/12/04	ZLF
ECN/ECO	REV.	DESCRIPTION	DATE	APPROVED
REVISIONS				
TITLE:		UNLESS NOTED, DIMENSIONS ARE IN MILLIMETERS & TOLERANCES ARE:	PART NO:	REV.
ADVANTAGE SERIES		X. ±1 MM X° ±1°	EN6961-WXYZ_DA	E1
OUTLET METERED AND SWITCHED		X.X ±0.5 MM X.X° ±0.5°	DRAWN BY:	ZLF
		X.XX ±0.20 MM	ENGINEER:	LJB
		Ø X.X ±0.3 MM	APPROVED BY:	Hanson
		Ø X.XX ±0.10 MM	SCALE: N/A	SHEET 2 OF 3
PROJECT:		BRACKETED DIMENSIONS ARE IN INCHES FOR REFERENCE ONLY		SIZE: A3
enLOGIC		⊕ THRID ANGLE PROJECTION		
		INTERPRET PER ASME Y14.5M-1994		

enLOGIC RACK Power Distribution Unit Made In XXXXX
Metered & Switched per outlet

SKU #: EN6961-WXYZ
Model #: EP164048-0092-C
INPUT: 200-240VAC, DELTA, 3PHASE, 50/60Hz, 48A
OUTPUT: C13/C15 COMBO; 200-240VAC, 10A per outlet
C13/C15/C19 COMBO; 200-240VAC, 16A max per outlet
48A Total

MAC0 Address:XX-XX-XX-XX-XX-XX
MAC1 Address:XX-XX-XX-XX-XX-XX

FC, SP US 300805, 50

THIS DEVICE COMPLIES WITH PART 15 OF THE FCC RULES. OPERATION IS SUBJECT TO THE FOLLOWING TWO CONDITIONS:
(1) THIS DEVICE MAY NOT CAUSE HARMFUL INTERFERENCE.
AND (2) THIS DEVICE MUST ACCEPT ANY INTERFERENCE RECEIVED, INCLUDING INTERFERENCE THAT MAY CAUSE UNDESIRABLE OPERATION. CAN ICES-3(A)/NMB-3(A)

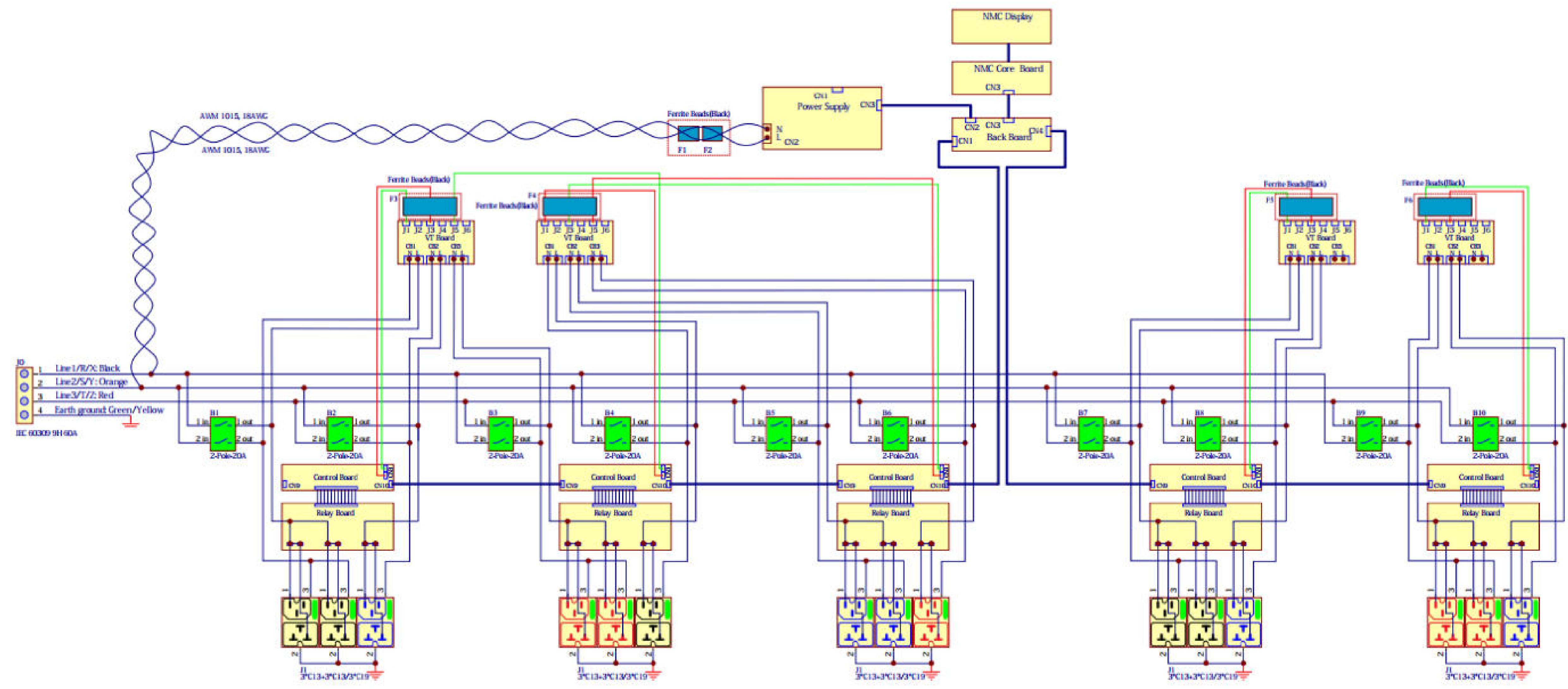
SKU#: EN6961-WXYZ
Serial Number XXXXXX X X X X

NOTES:
1. INTERNAL WIRING
WIRE TYPE: UL AWM 1015,10 & 12 & 18 AWG
LINE 1/R/X COLOR: Black
LINE 2/S/Y COLOR: Orange
LINE 3/T/Z COLOR: Red
EARTH GROUND COLOR: Green

2. FOR FINISHED GOOD PART NUMBER SEE IDENTIFICATION

DESIGN (RDU) ENGINEERING

COMPLIANCE LABEL



INTERNAL WIRING SCHEMATIC DIAGRAM

NOTES:
1. INSTALLATION SHALL COMPLY WITH ALL APPLICABLE NATIONAL, STATE AND LOCAL CODES.
2. SEE PRODUCT DOCUMENTATION FOR FURTHER INFORMATION
3. THIS DRAWING DEPICTS THE POWER SYSTEM CONNECTIONS AND IS NOT REPRESENTATIVE OF THE PHYSICAL LAYOUT. PLEASE REFER TO MECHANICAL DRAWINGS FOR PHYSICAL LAYOUT.

enLOGIC by nvent

THIS DRAWING AND SPECIFICATIONS HEREIN ARE THE PROPERTY OF CIS GLOBAL AND SHALL NOT BE COPIED, REPRODUCED OR USED IN WHOLE OR IN PART, AS THE BASIS FOR THE MANUFACTURE OR SALE OF ITEMS WITHOUT WRITTEN PERMISSION FROM CIS GLOBAL. THIS DRAWING IS BASED UPON LATEST AVAILABLE INFORMATION AND IS SUBJECT TO CHANGE WITHOUT NOTICE

E1	INITIAL DRAFT REVIEW	2023/12/04	ZLF
ECN/ECO	REV.	DESCRIPTION	DATE APPROVED
REVISIONS			
TITLE:	ADVANTAGE SERIES OUTLET METERED AND SWITCHED	UNLESS NOTED, DIMENSIONS ARE IN MILLIMETERS & TOLERANCES ARE: X. ±1 MM X° ±1° X.X ±0.5 MM X.X° ±0.5° X.XX ±0.20 MM Ø X.X ±0.3 MM Ø X.XX ±0.10 MM	PART NO: EN6961-WXYZ_DA REV. E1
PROJECT:	enLOGIC	BRACKETED DIMENSIONS ARE IN INCHES FOR REFERENCE ONLY ⊕ THRID ANGLE PROJECTION INTERPRET PER ASME Y14.5M-1994	DRAWN BY: ZLF ENGINEER: LJB APPROVED BY: Hanson SCALE: N/A SHEET 3 OF 3 SIZE: A3