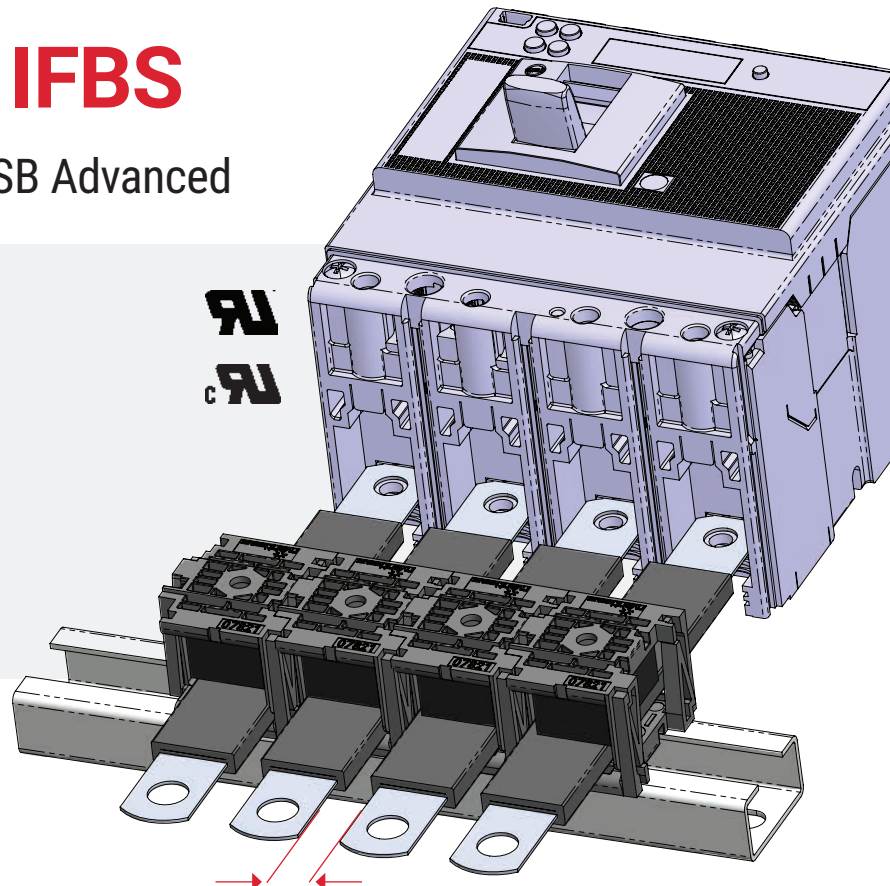


nVent ERIFLEX IFBS

Support Kit for Flexibar and IBSB Advanced

nVent ERIFLEX IBSB and Flexibar Advanced Bracing System (IFBS) has been designed for Flexibar Advanced and IBSB braided conductors range. The IFBS is an economical solution to hold and fasten Flexibar and IBSB conductors between two pieces of electrical equipment. This compact fastening solution offers adjustable, low center distance between phases for easy and tidy alignment on Molded Case Circuit Breakers (MCCB) or other compact electrical devices. The IFBS Support Kit can be mounted on an enclosure back plate or a C-shaped profile.

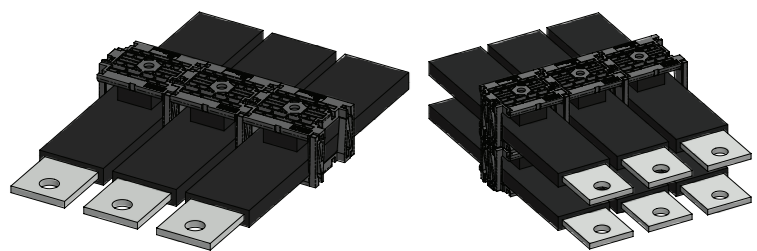
Due to its versatile nature, the conductors can be mounted side-by-side or on top, with one or more conductors per phase, making the IFBS quick and easy to install. Additionally, IFBS offers safe and reliable protection through its EN IEC 61439-1 and UL 67/CSA C22.2 No. 29 certifications and composition of low smoke, halogen free, flame retardant materials that are naturally resistant against high temperatures.



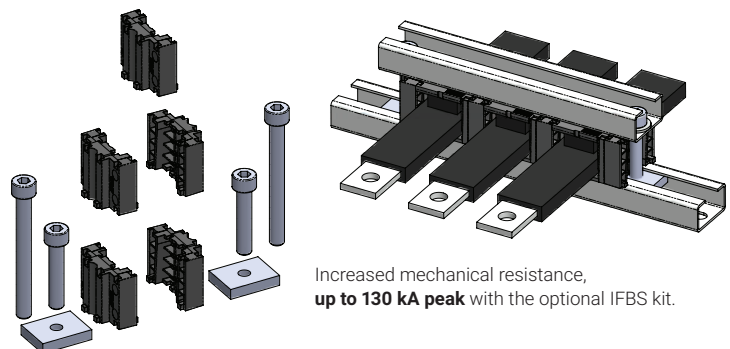
Adjustable distance between phases is 4.5 mm or more ensuring the conductors can be aligned in front of any electrical device.

FEATURES

- Suitable for Flexibar and IBSB braided conductors from 20 to 63 mm in width and all conductor sizes (100 A to 1600 A)
- Solution with small form factor offering a clean setup between phases for easy alignment on MCCB's or other compact electrical devices
- Conductor compression system designed to adapt to any conductor depth, up to ten layers of Flexibar Advanced
- Optional IFBS Reinforcement Kit available for situations needing to withstand high short-circuit values up to 130 kA peak
- EN IEC 61439-1 certified and RoHS compliant
- UL Recognized components for US and Canada according to UL 67/CSA C22.2 No. 29
- Kit includes 12 retaining blocks



Conductors can be mounted side by side or on top, and with one or more conductors per phase.

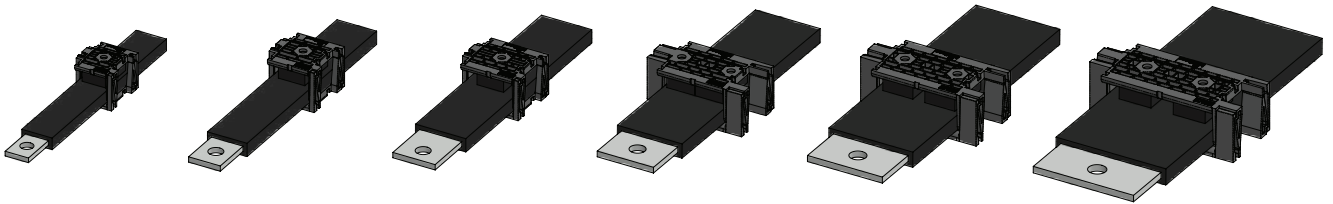


Increased mechanical resistance, up to 130 kA peak with the optional IFBS kit.



PRODUCT RANGE: IFBS SUPPORT KIT

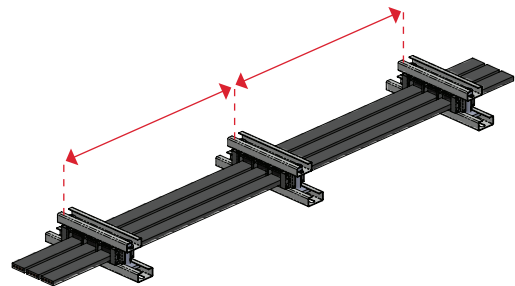
IFBS Support Kit					IFBS Kit			PCR Perforated C-Shaped Profile	
Part Number	Article Number	Packing Unit	Flexibar Advanced Width	IBSB Advanced Size	Part Number	Article Number	Packing Unit	Part Number	Article Number
IFBS20	553591	12 pc	Flexibar 20 mm	IBSB ADV 25, 50 & 70 mm ²	IFBS20SC32	553597	1 pc	PCR30X15-3M or PCR35X35-2M or PCR35X35-3M	557780 or 557520 or 557790
IFBS24	553592	12 pc	Flexibar 24 mm	IBSB ADV 100 mm ²					
IFBS32	553593	12 pc	Flexibar 32 mm	IBSB ADV 120, 185 & 240 mm ²					
IFBS40	553594	12 pc	Flexibar 40 mm	–	IFBS40SC63	553598	1 pc		
IFBS50	553595	12 pc	Flexibar 50 mm	–					
IFBS63	553596	12 pc	Flexibar 63 mm	–					



- IFBS20**
 For Flexibar 2 x 20 to 10 x 20
 For IBSB 25, 50, 70 mm²
- IFBS24**
 For Flexibar 2 x 24 to 10 x 24
 For IBSB 100 mm²
- IFBS32**
 For Flexibar 2 x 32 to 10 x 32
 For IBSB 120, 185, 240 mm²
- IFBS40**
 For Flexibar 2 x 40 to 10 x 40
- IFBS50**
 For Flexibar 3 x 50 to 10 x 50
- IFBS63**
 For Flexibar 4 x 63 to 10 x 63

IFBS CAN WITHSTAND HIGH SHORT CIRCUIT VALUES WITH THE KIT

Ipk (Short-Circuit Current Peak kA)	Recommendation – Max Distance Between Supports (mm)	
	IFBS Support Kit 20/24/32 Kit	IFBS Support Kit 40/50/63 Kit
10	1000	1000
20	1000	1000
30	1000	1000
40	740	1000
50	480	1000
60	330	770
70	240	570
80	190	430
90	150	340
100	120	280
110	–	230
120	–	190
130	–	160



Product Range:

IFBS20SC32
For IFBS Support Kit: IFBS20, IFBS24, IFBS32

IFBS40SC63
For IFBS Support Kit: IFBS40, IFBS50, IFBS63



Our powerful portfolio of brands:

CADDY ERICO HOFFMAN RAYCHEM SCHROFF TRACER