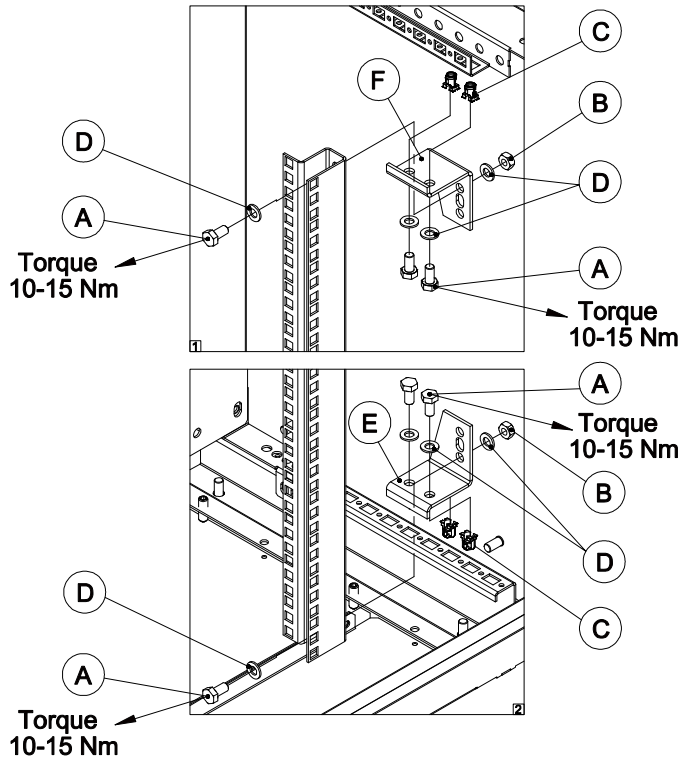
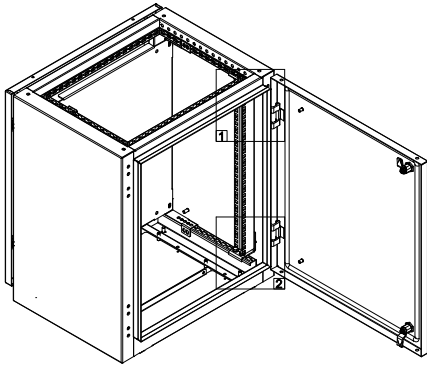


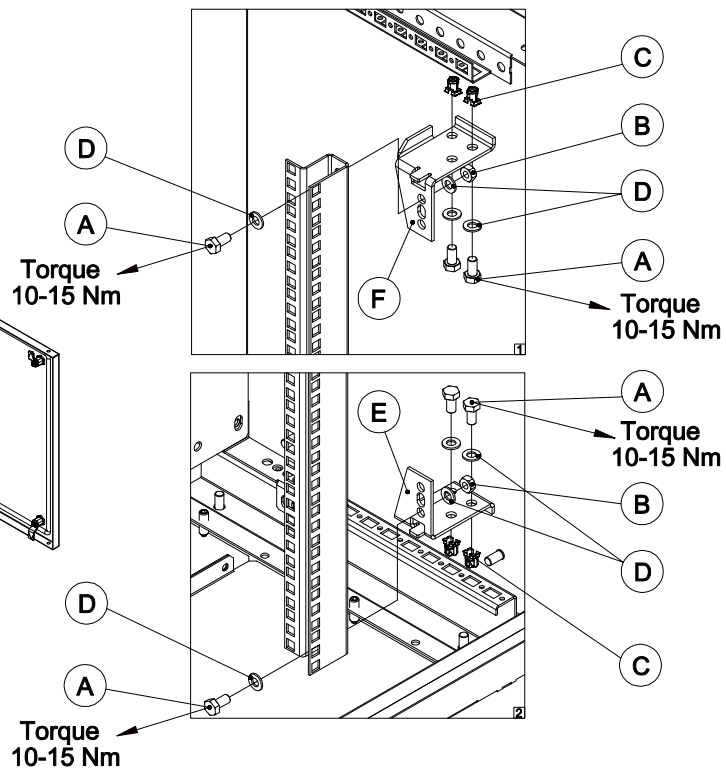
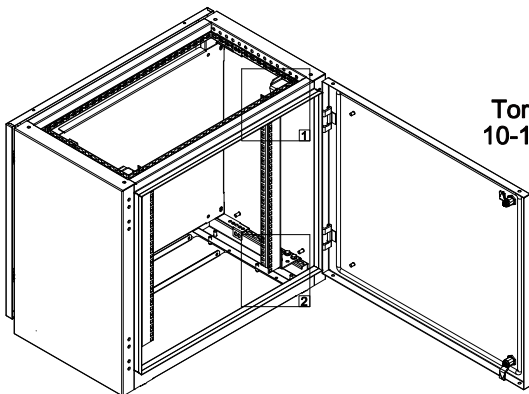


DNN + DND01 (FOR MPC063R5/MPCS063)



Ref.	Pic.	Qty.
DNN		
A	M8x16	4
B	M8	4
D	M8	8
DND		
A	M8x16	8
C	M8	8
D	M8	8
E		2
F		2

DNN + DNB01 (FOR MPC083R5/MPCS083)



Ref.	Pic.	Qty.
DNN		
A	M8x16	4
B	M8	4
D	M8	8
DNB		
A	M8x16	8
C	M8	8
D	M8	8
E		2
F		2