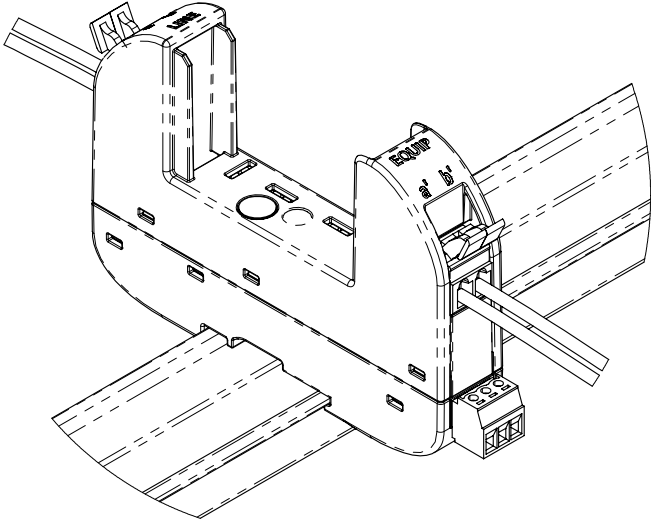


nVent ERICO RTBN Series

Rail Transient Barrier



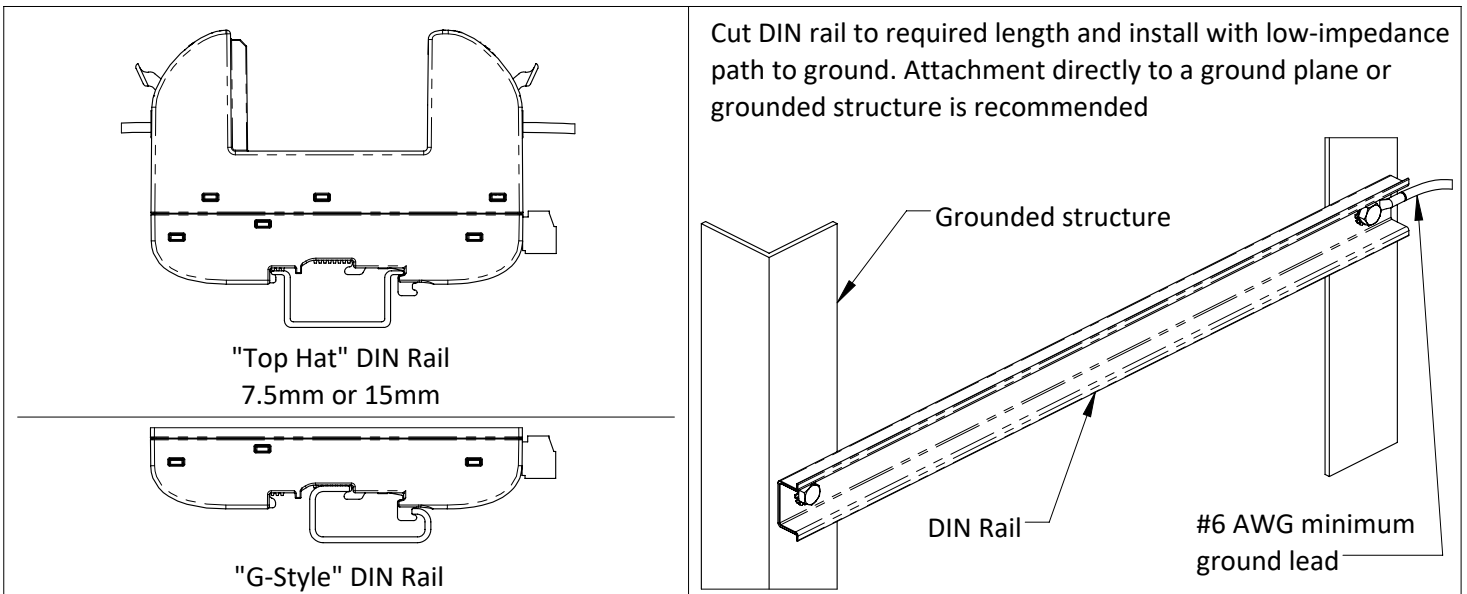
⚠ DANGER

Electrical shock or burn hazard. Installation and maintenance of the RTBN Base and Module should only be performed by qualified personnel. Failure to lockout electrical power during installation or maintenance can result in fatal electrocution or severe burns. Before making any connections to the electrical panel, ensure power is removed from all associated wiring, electrical panels, and other electrical equipment.

⚠ CAUTION

1. RTBN Modules shall be installed in accordance with all applicable codes, instructions, and datasheets for correct and safe operation.
2. Line voltage must not exceed Max Continuous Operating Voltage. Ensure the RTBN Module is of the correct voltage.
3. The ground/busbar must be connected to a low impedance earth for effective operation.
4. Do not attempt to open or tamper with RTBN modules as this will compromise performance and void warranty.

Grounding Instructions



WARNING:

1. nVent products shall be installed and used only as indicated in nVent product instruction sheets and training materials. Instruction sheets are available at www.nVent.com and from your nVent customer service representative.
2. nVent products must never be used for a purpose other than the purpose for which they were designed or in a manner that exceeds specified load ratings.
3. All instructions must be completely followed to ensure proper and safe installation and performance.
4. Improper installation, misuse, misapplication or other failure to completely follow nVent's instructions and warnings may cause product malfunction, property damage, serious bodily injury and/or death, and void your warranty.

SAFETY INSTRUCTIONS:

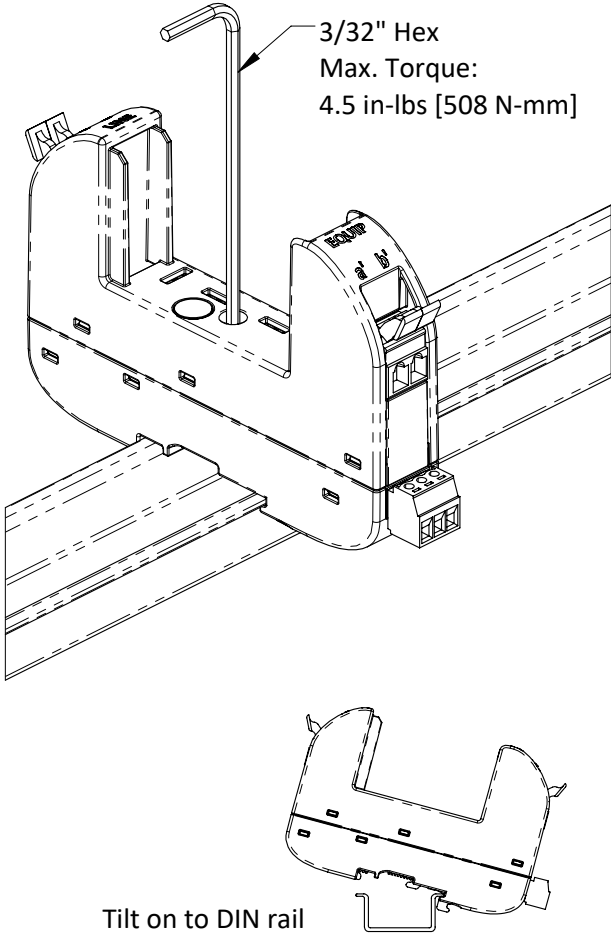
All governing codes and regulations and those required by the job site must be observed. Always use appropriate safety equipment such as eye protection, hard hat, and gloves as appropriate to the application.

nVent, nVent CADDY, nVent ERICO Cadweld, nVent ERICO Critec, nVent ERICO, nVent ERIFLEX, and nVent LENTON are owned by nVent or its global affiliates. All other trademarks are the property of their respective owners. nVent reserves the right to change specifications without prior notice.

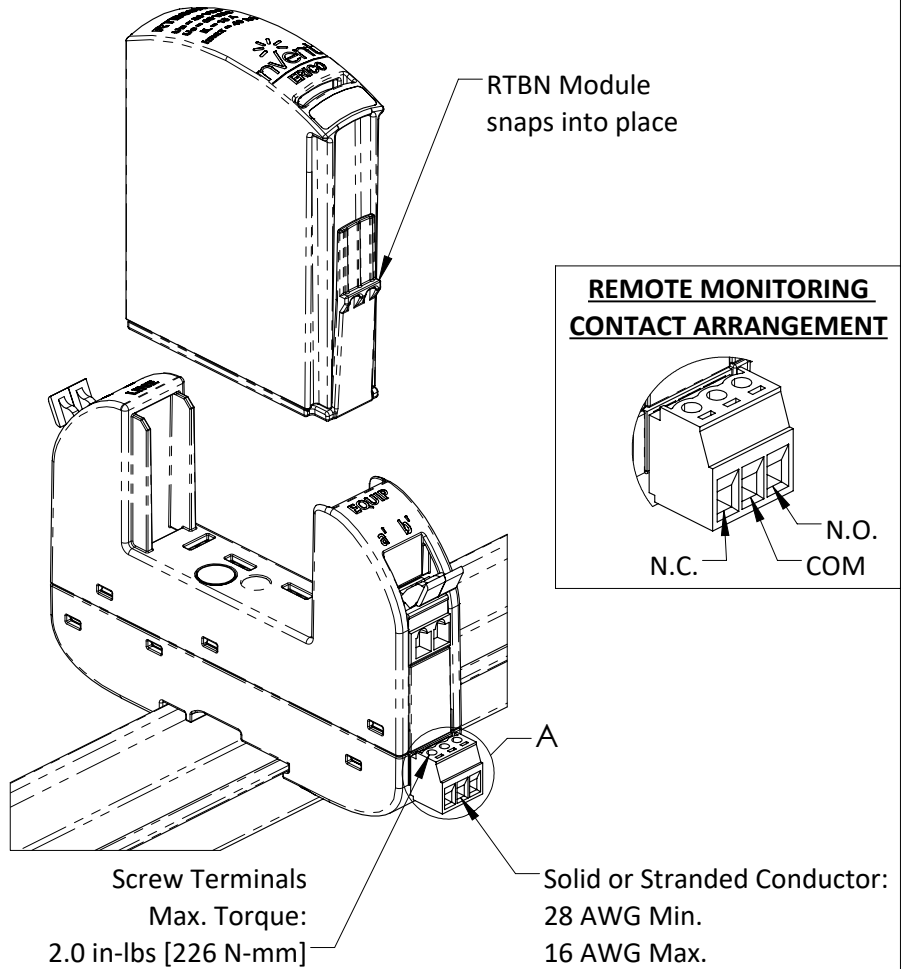
nVent ERICO RTBN Series Rail Transient Barrier

Installation Instructions

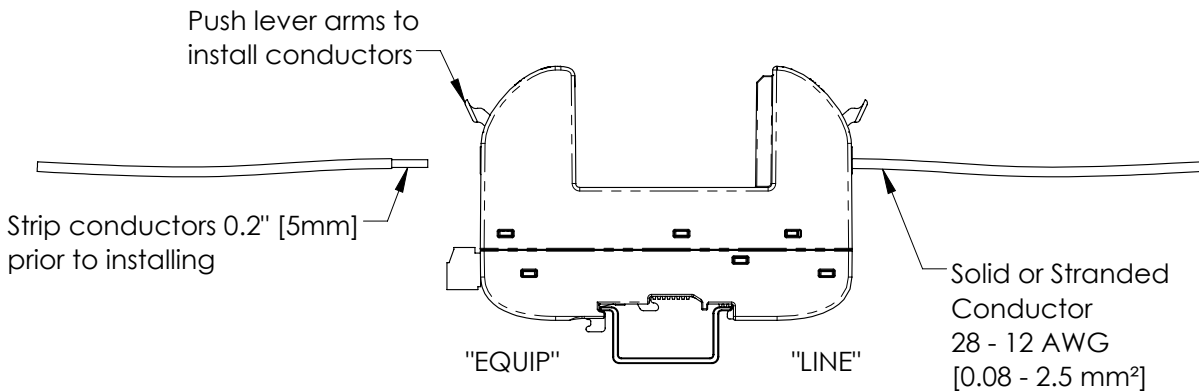
- Loosen hex screw in grounding coupler and install RTBN Base on DIN rail (not included).



- Insert RTBN Module into RTBN Base.
 - Install optional remote monitoring conductors.



- Install conductors into the terminal blocks.
 - Open clamping unit by pushing lever arm toward the RTBN Module.
 - Insert the conductor into the terminal block.
 - Release the clamping unit.

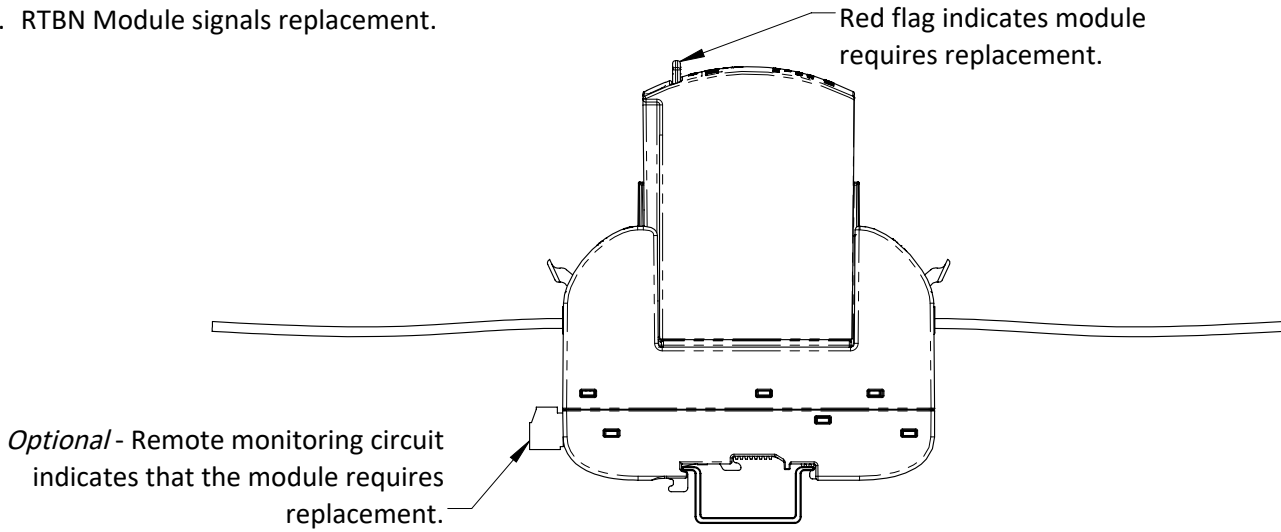


nVent, nVent CADDY, nVent ERICO Cadweld, nVent ERICO Critec, nVent ERICO, nVent ERIFLEX, and nVent LENTON are owned by nVent or its global affiliates. All other trademarks are the property of their respective owners. nVent reserves the right to change specifications without prior notice.

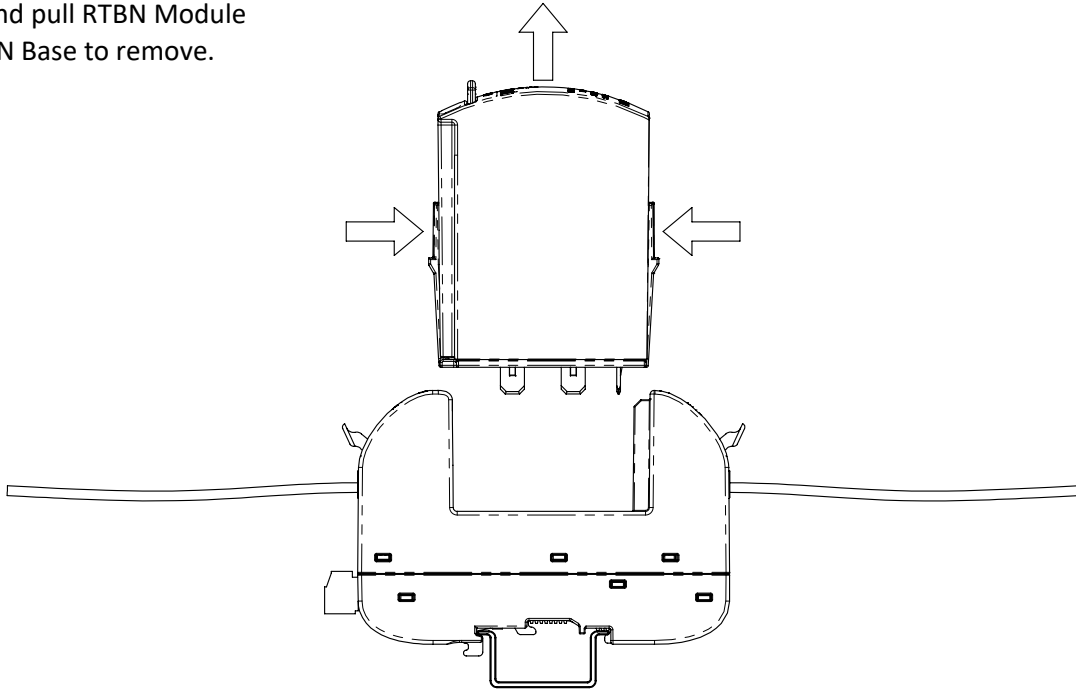
nVent ERICO RTBN Series Rail Transient Barrier

Module Replacement Instructions

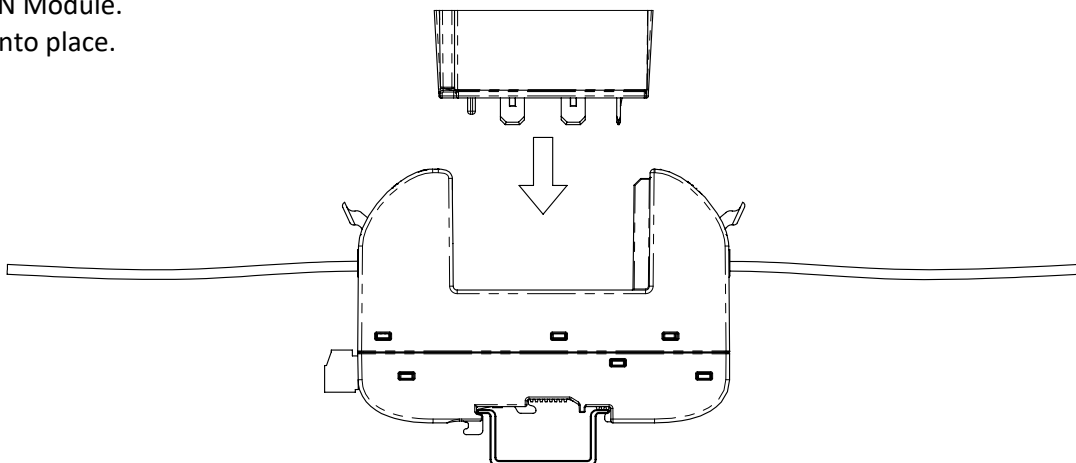
1. RTBN Module signals replacement.



2. Squeeze tabs and pull RTBN Module away from RTBN Base to remove.



3. Insert new RTBN Module. Module snaps into place.



nVent, nVent CADDY, nVent ERICO Cadweld, nVent ERICO Critec, nVent ERICO, nVent ERIFLEX, and nVent LENTON are owned by nVent or its global affiliates. All other trademarks are the property of their respective owners. nVent reserves the right to change specifications without prior notice.