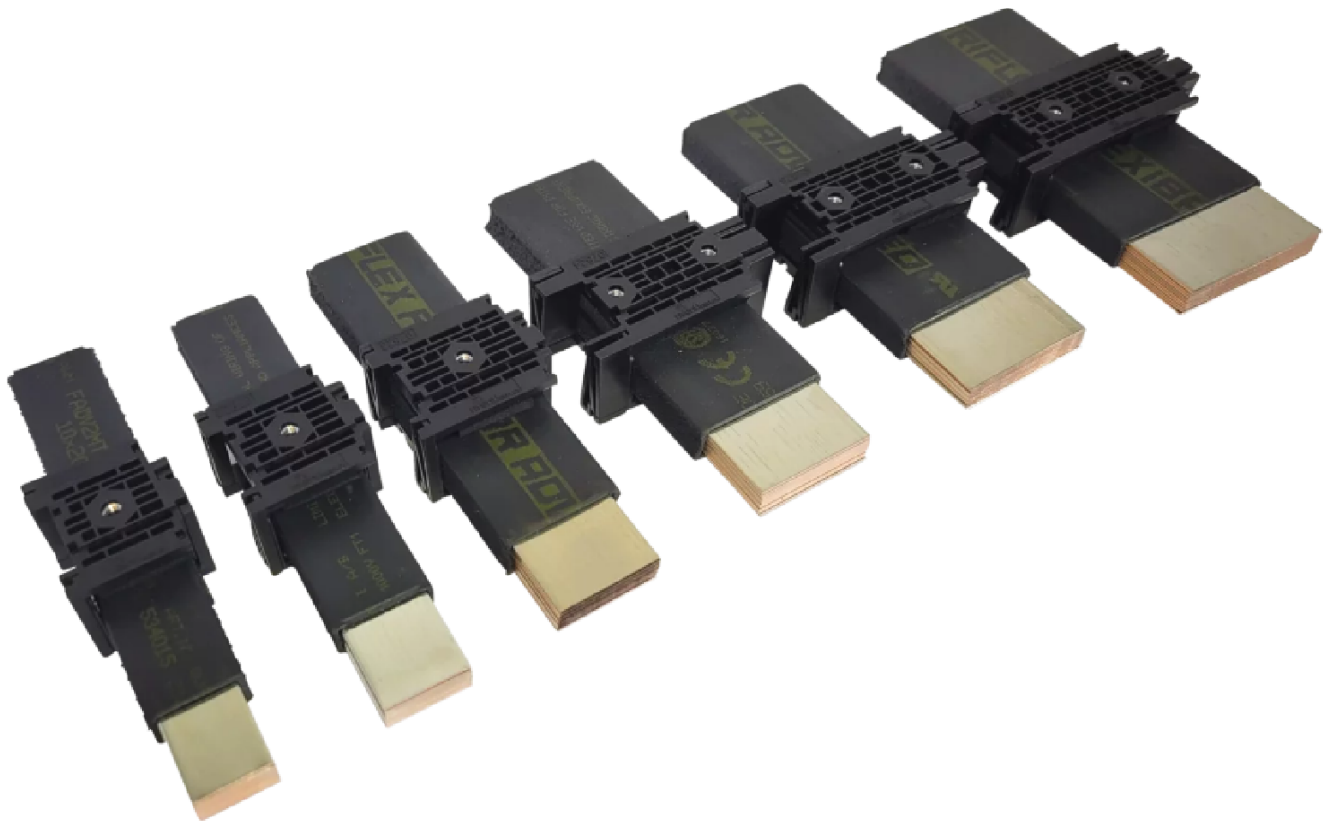


nVent ERIFLEX IFBS

Instruction Sheet



INSTRUCTION SHEET

nVent ERIFLEX IFBS Bracing system for IBS and FLEXIBAR



A

IFBS20
IFBS24
IFBS32

IFBS40
IFBS50
IFBS63

$T_q = 1,5 \text{ N.m}$
 $1,1 \text{ Ft.lb}$

CLIC

OR

UNCLIC

Min. 20mm [0.79] *

Min. 50mm [1.97]

Min. 20mm [0.79] *

Min. 50mm [1.97]

*IEC61439-1 POLLUTION DEGREE 3

Diagram A shows the assembly of IFBS components (IFBS20, 24, 32, 40, 50, 63) onto a rail. It includes torque specifications ($T_q = 1,5 \text{ N.m}$ / $1,1 \text{ Ft.lb}$) and dimensions for the rail (Min. 20mm [0.79] and Min. 50mm [1.97]). The 'CLIC' and 'UNCLIC' methods are illustrated. A note indicates compliance with *IEC61439-1 POLLUTION DEGREE 3.

B

MDRCP-2 (559142)

PCR30X15-3M / PCR35X35-2M / PCR35X35-3M
(557780) (557520) (557790)

Diagram B shows the MDRCP-2 component being inserted into a rail. It includes a diagram of the rail with dimensions and a note about the component being 'NOT INCLUDED'.

C-Other mounting

NOT INCLUDED
DIN 7504 M - 3,9X13

Diagram C shows an alternative mounting method using a DIN 7504 M - 3,9X13 component. The component is not included.

D

$T_q = 1,5 \text{ N.m}$
 $1,1 \text{ Ft.lb}$

Diagram D shows the assembly of the IFBS components onto the rail, including torque specifications ($T_q = 1,5 \text{ N.m}$ / $1,1 \text{ Ft.lb}$).

E- Optional (IFBSXXSCXX)

| IFBS | A mm [inch] |
|----------|-------------|
| 20/24/32 | 50 [1,97] |
| 40/50/63 | 100 [3,94] |

M8

$T_q = 10 \text{ N.m}$
 $7,4 \text{ Ft.lb}$

6 mm
15/64 inch

Min. A

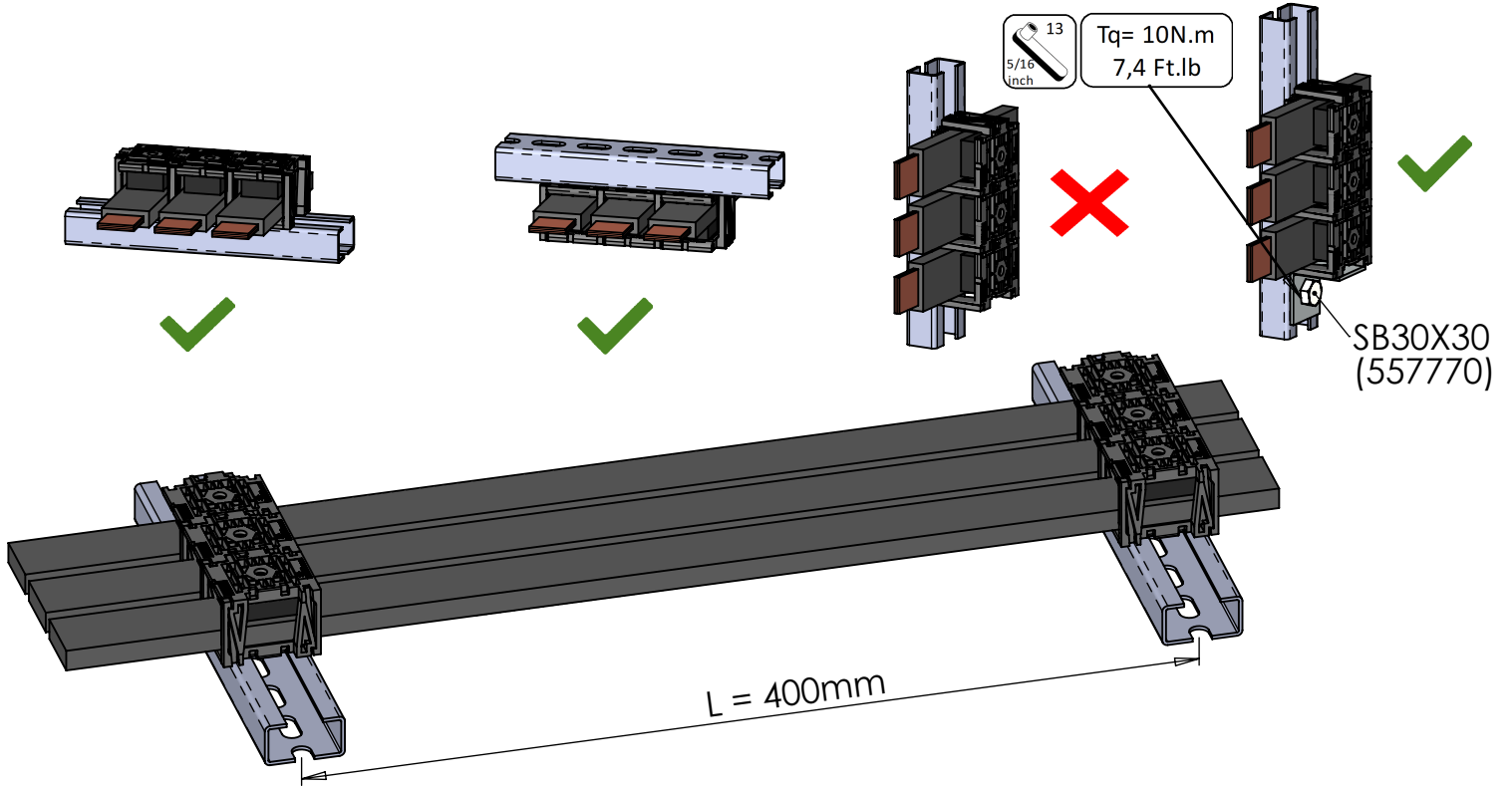
x1, x2, x3 ...

OR

OR

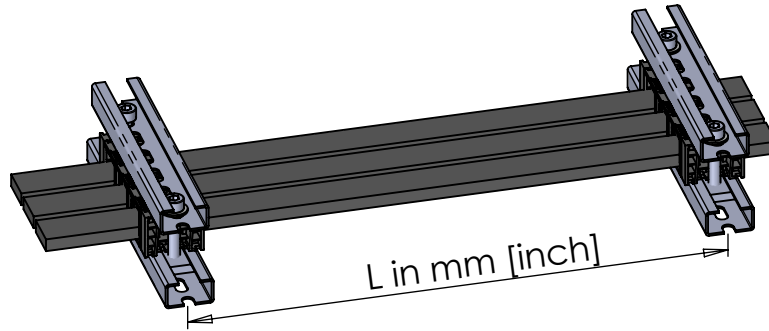
Diagram E shows the optional assembly method (IFBSXXSCXX) using M8 bolts and a 6mm hex key. It includes torque specifications ($T_q = 10 \text{ N.m}$ / $7,4 \text{ Ft.lb}$) and dimensions (Min. A). The diagram shows the assembly of the IFBS components onto the rail using the optional method.

INSTRUCTION SHEET



| | |
|-------------------------|--|
| <p>TABLE 1</p> <p>3</p> | |
| <p>TABLE 2</p> <p>3</p> | |
| <p>TABLE 3</p> <p>3</p> | |

INSTRUCTION SHEET



| Table | Description | Distance between center | 25 | 30 | 35 | 40 | 45 | 50 | 60 | 70 | 80 |
|-------|-------------|-------------------------|--------------|--------------|-------------|-------------|-------------|-------------|-------------|------------|------------|
| 1 | IFBS20 | 30 [1,19] | 1000 [39,38] | 1000 [39,38] | 978 [38,51] | 749 [29,49] | 592 [23,31] | 479 [18,86] | 333 [13,12] | 245 [9,65] | 187 [7,37] |
| | IFBS24 | | 1000 [39,38] | 1000 [39,38] | 978 [38,51] | 749 [29,49] | 592 [23,31] | 479 [18,86] | 333 [13,12] | 245 [9,65] | 187 [7,37] |
| | IFBS32 | | 1000 [39,38] | 1000 [39,38] | 978 [38,51] | 749 [29,49] | 592 [23,31] | 479 [18,86] | 333 [13,12] | 245 [9,65] | 187 [7,37] |
| | IFBS40 | | 1000 [39,38] | 881 [34,69] | 647 [25,48] | 496 [19,53] | 392 [15,44] | 317 [12,49] | 220 [8,67] | 162 [6,38] | 124 [4,89] |
| | IFBS50 | | 1000 [39,38] | 881 [34,69] | 647 [25,48] | 496 [19,53] | 392 [15,44] | 317 [12,49] | 220 [8,67] | 162 [6,38] | 124 [4,89] |
| | IFBS63 | | 1000 [39,38] | 881 [34,69] | 647 [25,48] | 496 [19,53] | 392 [15,44] | 317 [12,49] | 220 [8,67] | 162 [6,38] | 124 [4,89] |

ICC pk (kA)

| Table | Description | Distance between center | 30 | 40 | 50 | 60 | 70 | 80 | 90 | 100 | 110 |
|-------|-------------|-------------------------|--------------|--------------|--------------|--------------|-------------|-------------|-------------|-------------|------------|
| 2 | IFBS20 | 31,5 [1,25] | 1000 [39,38] | 792 [31,19] | 507 [19,97] | 352 [13,86] | 259 [10,2] | 198 [7,8] | 156 [6,15] | 127 [5,01] | 105 [4,14] |
| | IFBS24 | 35,5 [1,4] | 1000 [39,38] | 893 [35,16] | 571 [22,49] | 397 [15,63] | 291 [11,46] | 223 [8,78] | 176 [6,93] | 143 [5,63] | 118 [4,65] |
| | IFBS32 | 43,5 [1,72] | 1000 [39,38] | 1000 [39,38] | 700 [27,56] | 486 [19,14] | 357 [14,06] | 273 [10,75] | 216 [8,51] | 175 [6,89] | 145 [5,71] |
| | IFBS40 | 60 [2,37] | 1000 [39,38] | 1000 [39,38] | 1000 [39,38] | 761 [29,97] | 559 [22,01] | 428 [16,86] | 338 [13,31] | 274 [10,79] | 227 [8,94] |
| | IFBS50 | 70 [2,76] | 1000 [39,38] | 1000 [39,38] | 1000 [39,38] | 905 [35,63] | 665 [26,19] | 509 [20,04] | 402 [15,83] | 326 [12,84] | 269 [10,6] |
| | IFBS63 | 83 [3,27] | 1000 [39,38] | 1000 [39,38] | 1000 [39,38] | 1000 [39,38] | 802 [31,58] | 614 [24,18] | 485 [19,1] | 393 [15,48] | 325 [12,8] |

ICC pk (kA)

| Table | Description | Distance between center | 40 | 50 | 60 | 70 | 80 | 90 | 100 | 110 | 120 |
|-------|-------------|-------------------------|--------------|--------------|--------------|--------------|-------------|-------------|-------------|-------------|-------------|
| 3 | IFBS20 | 42,5 [1,68] | 1000 [39,38] | 684 [26,93] | 475 [18,71] | 349 [13,75] | 267 [10,52] | 211 [8,31] | 171 [6,74] | 141 [5,56] | 119 [4,69] |
| | IFBS24 | 46,5 [1,84] | 1000 [39,38] | 748 [29,45] | 520 [20,48] | 382 [15,04] | 292 [11,5] | 231 [9,1] | 187 [7,37] | 155 [6,11] | 130 [5,12] |
| | IFBS32 | 54,5 [2,15] | 1000 [39,38] | 877 [34,53] | 609 [23,98] | 447 [17,6] | 343 [13,51] | 271 [10,67] | 219 [8,63] | 181 [7,13] | 152 [5,99] |
| | IFBS40 | 83 [3,27] | 1000 [39,38] | 1000 [39,38] | 1000 [39,38] | 802 [31,58] | 614 [24,18] | 485 [19,1] | 393 [15,48] | 325 [12,8] | 273 [10,75] |
| | IFBS50 | 93 [3,67] | 1000 [39,38] | 1000 [39,38] | 1000 [39,38] | 908 [35,75] | 695 [27,37] | 549 [21,62] | 445 [17,52] | 368 [14,49] | 309 [12,17] |
| | IFBS63 | 106 [4,18] | 1000 [39,38] | 1000 [39,38] | 1000 [39,38] | 1000 [39,38] | 800 [31,5] | 632 [24,89] | 512 [20,16] | 423 [16,66] | 356 [14,02] |

| IFBS Support kit | | | | IFBS High Short-circuit kit | | PCR Perforated C-Shaped Profil | |
|------------------|----------------|-------------------------|----------------------------------------|-----------------------------|----------------|--------------------------------|----------------|
| Part Number | Article Number | Flexibar Advanced Width | IBSB Advanced size | Part Number | Article Number | Part Number | Article Number |
| IFBS20 | 553591 | Flexibar 20 x - | IBSB ADV 25, 50 & 70mm ² | IFBS20SC32 | 553597 | PCR30X15-3M (557780) | 557780 |
| IFBS24 | 553592 | Flexibar 24 x - | IBSB ADV 100mm ² | | | PCR35X35-2M (557520) | 557520 |
| IFBS32 | 553593 | Flexibar 32 x - | IBSB ADV 120, 185 & 240mm ² | | | PCR35X35-3M (557790) | 557790 |
| IFBS40 | 553594 | Flexibar 40 x - | - | IFBS40SC63 | 553598 | | |
| IFBS50 | 553595 | Flexibar 50 x - | - | | | | |
| IFBS63 | 553596 | Flexibar 63 x - | - | | | | |

WARNING:

- nVent products shall be installed and used only as indicated in nVent product instruction sheets and training materials. Instruction sheets are available at www.nVent.com and from your nVent customer service representative.
- nVent products must never be used for a purpose other than the purpose for which they were designed or in a manner that exceeds specified load ratings.
- All instructions must be completely followed to ensure proper and safe installation and performance.
- Improper installation, misuse, misapplication or other failure to completely follow nVent's instructions and warnings may cause product malfunction, property damage, serious bodily injury and/or death, and void your warranty.

SAFETY INSTRUCTIONS: All governing codes and regulations and those required by the job site must be observed. Always use appropriate safety equipment such as eye protection, hard hat, and gloves as appropriate to the application.



Our powerful portfolio of brands:

CADDY ERICO HOFFMAN ILSCO RAYCHEM SCHROFF