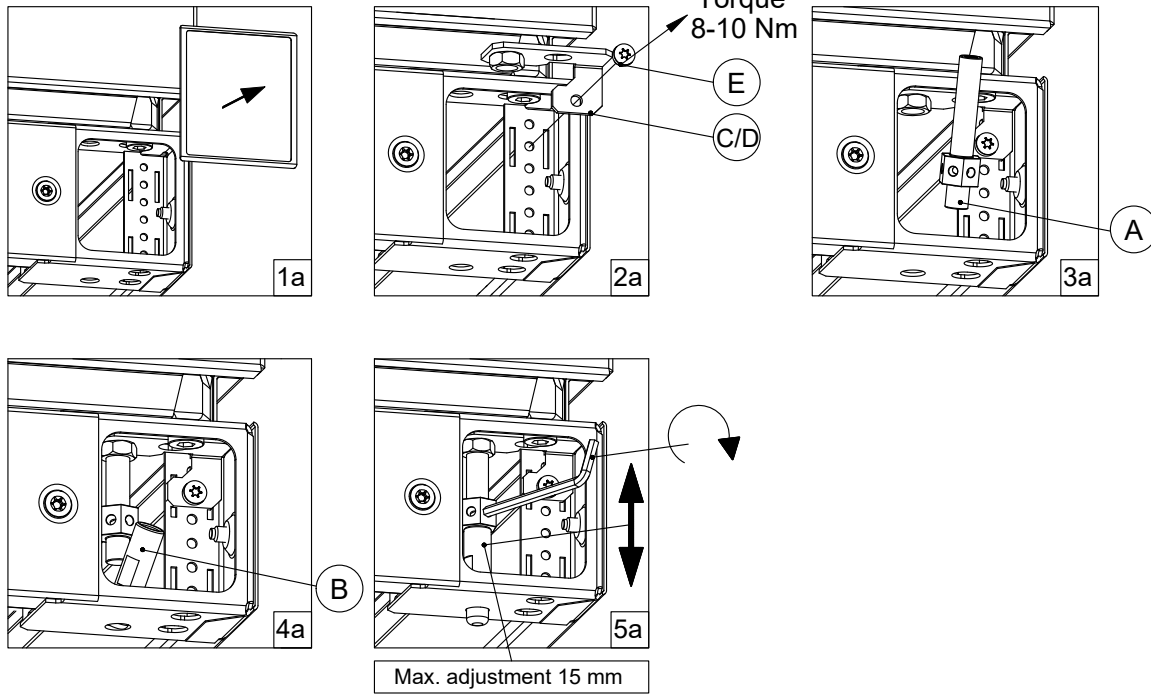


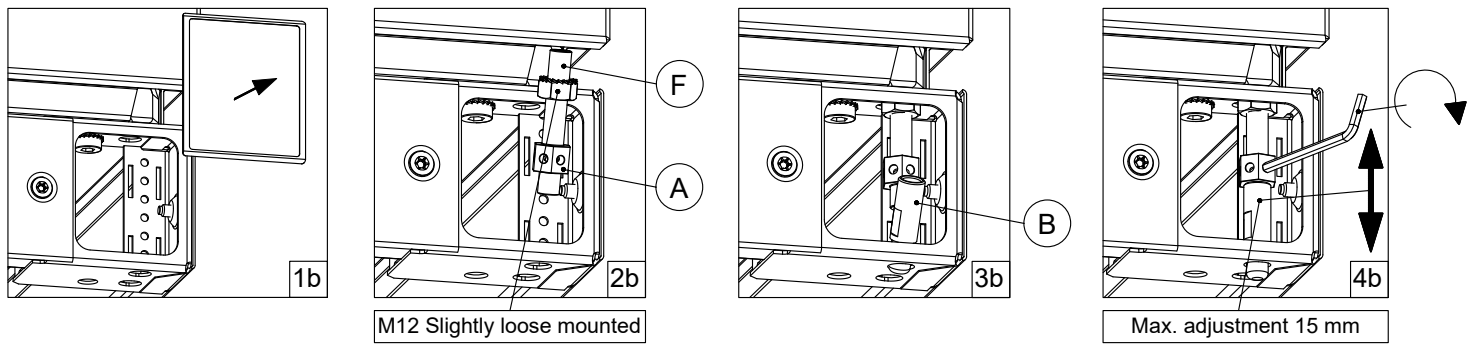
# LFA

Ref.	Pic.	Qty.
A		4
B		4
C		2
D		2
E		4
F		4

## Option A - Inner hole installation, for MCS/D



## Option B - Outer hole installation, for MCS/D, MCSS/MCDS



## Option C - Outer hole installation, for HP products

