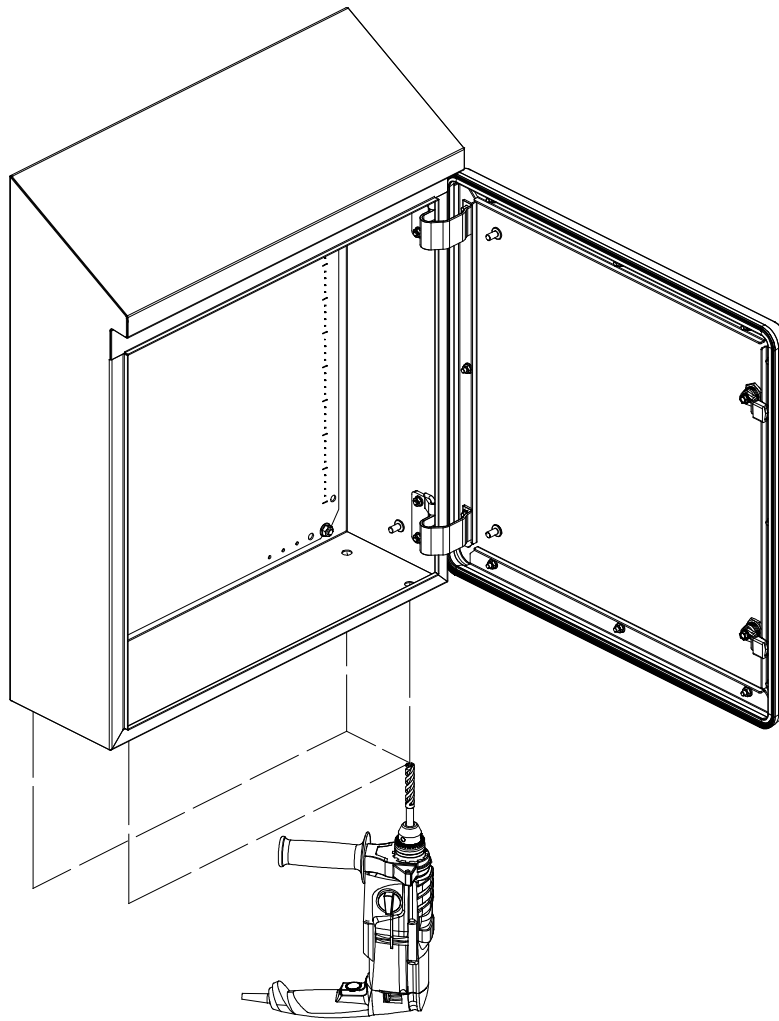
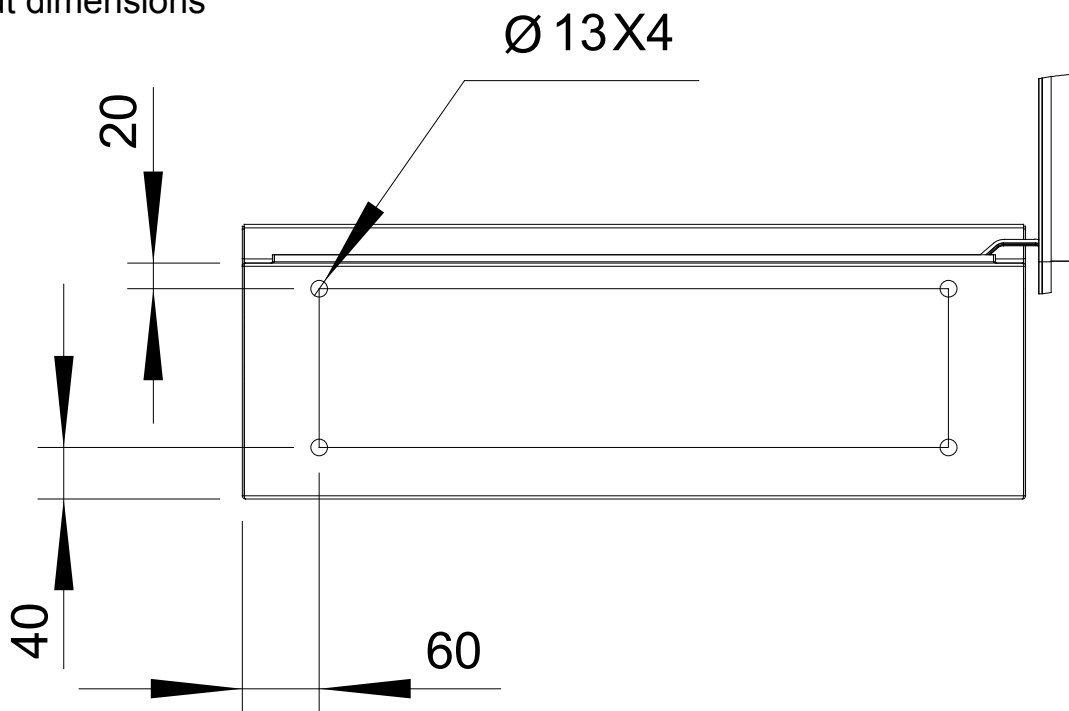


LFHD

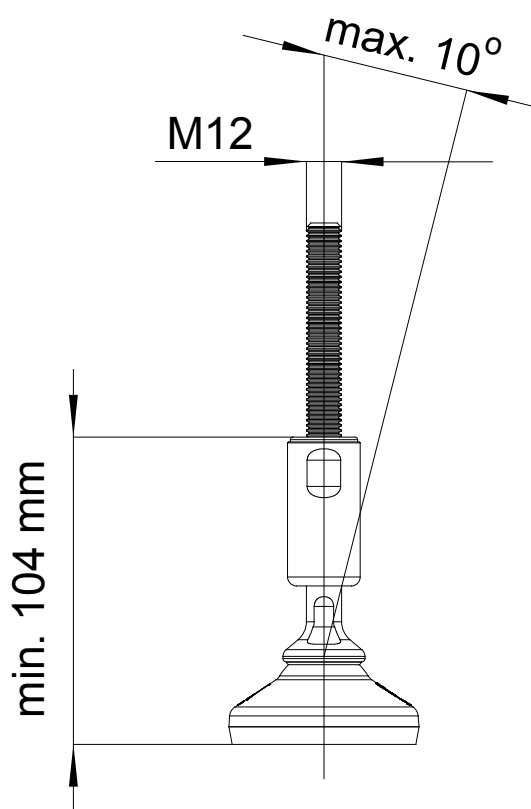
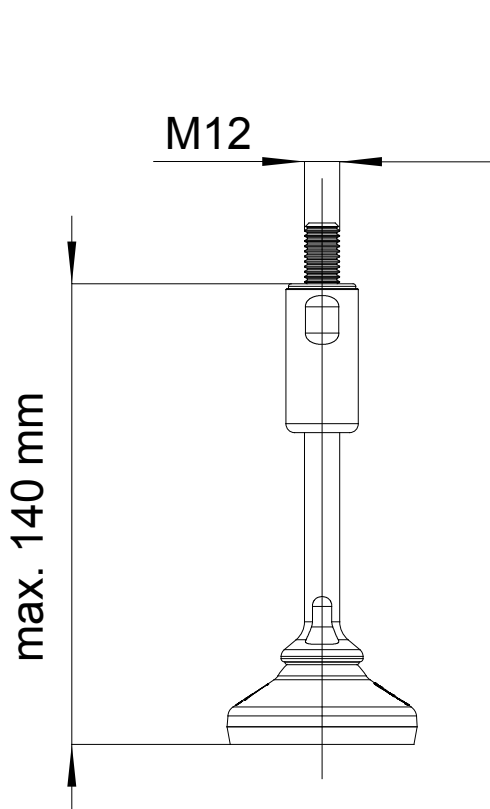
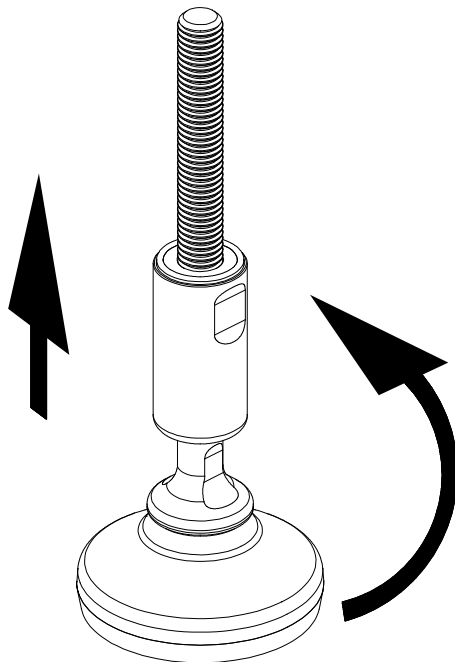


Cut-out dimensions



LFHD

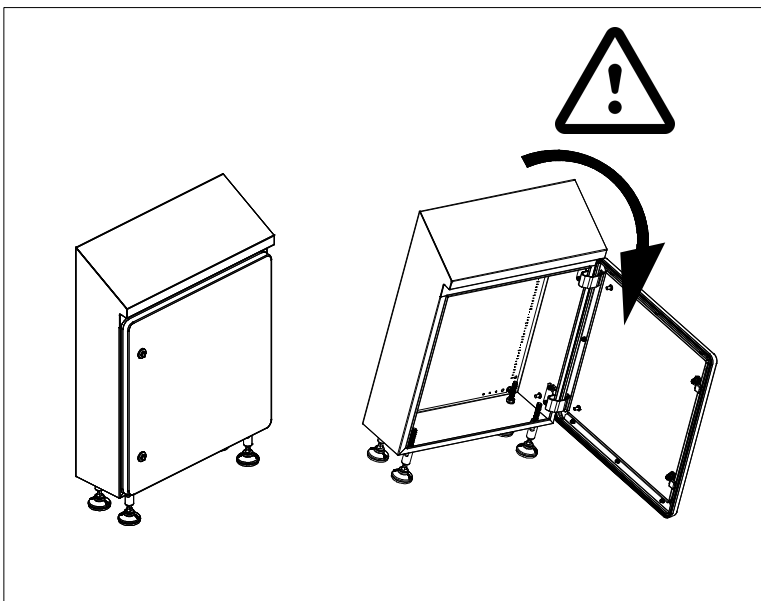
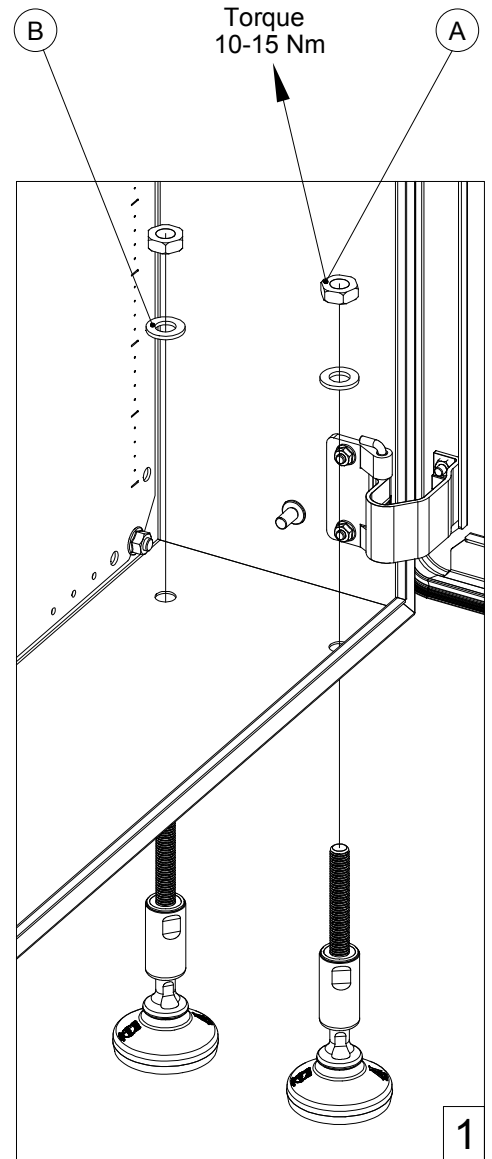
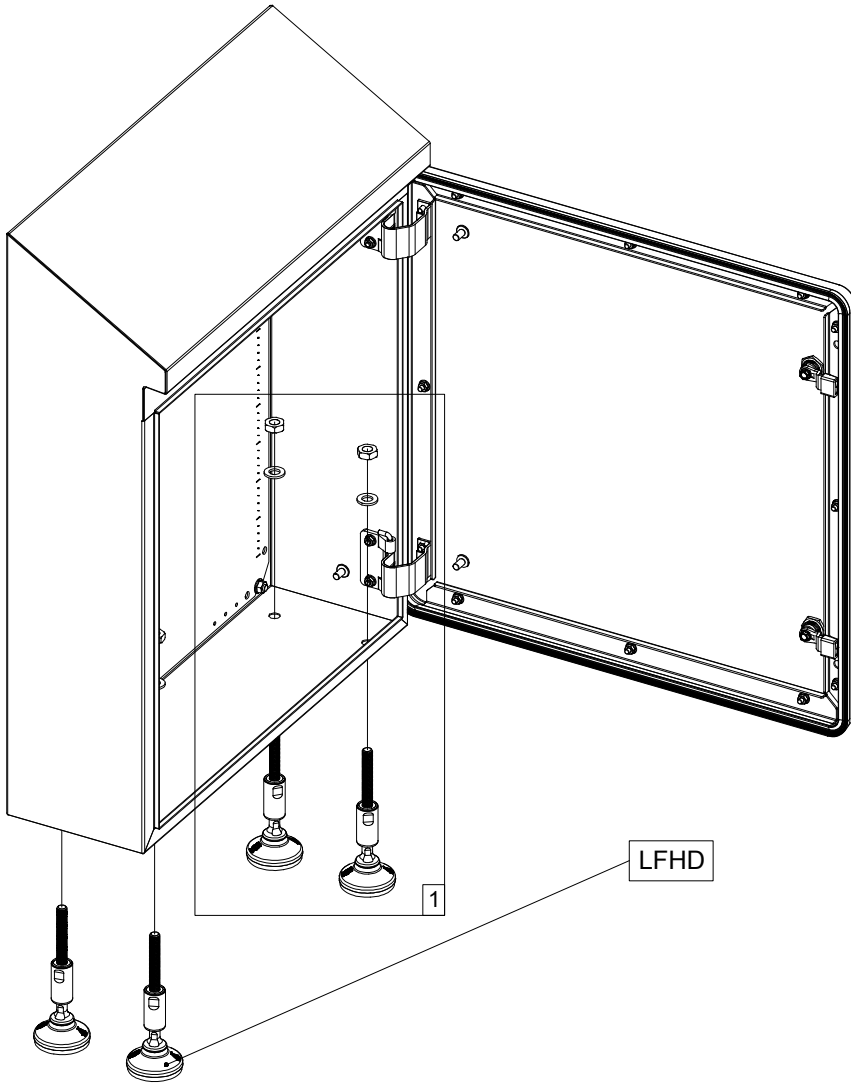
Set height (max. height 140mm, min. height 104mm)





LFHD

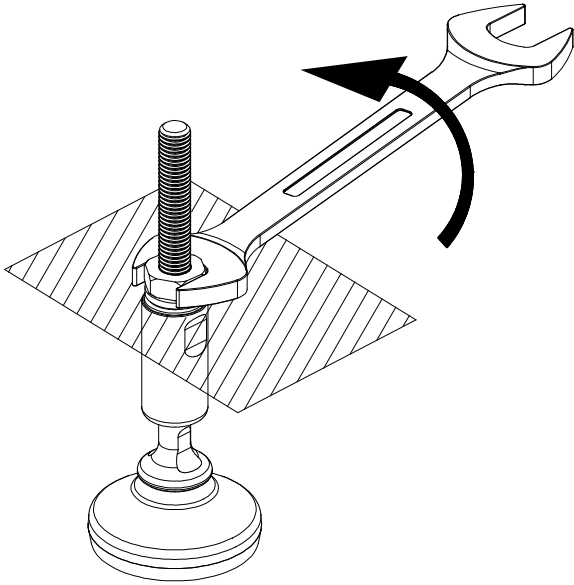
Ref.	Pic.	Qty.
A		4
B		4
C		4



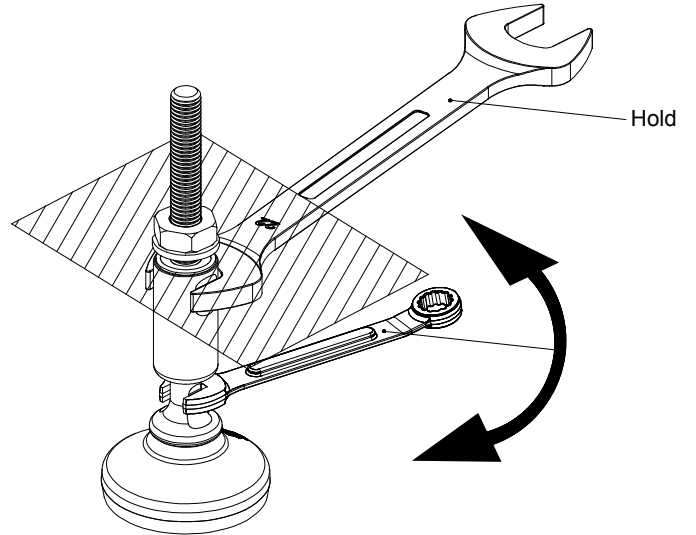


LFHD Fine enclosure levelling

Step 1 - loosen the nut inside the enclosure



Step 2 - holding the sleeve with one wrench and adjust the height with other wrench at the bottom of the foot



Torque
10-15 Nm

