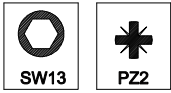
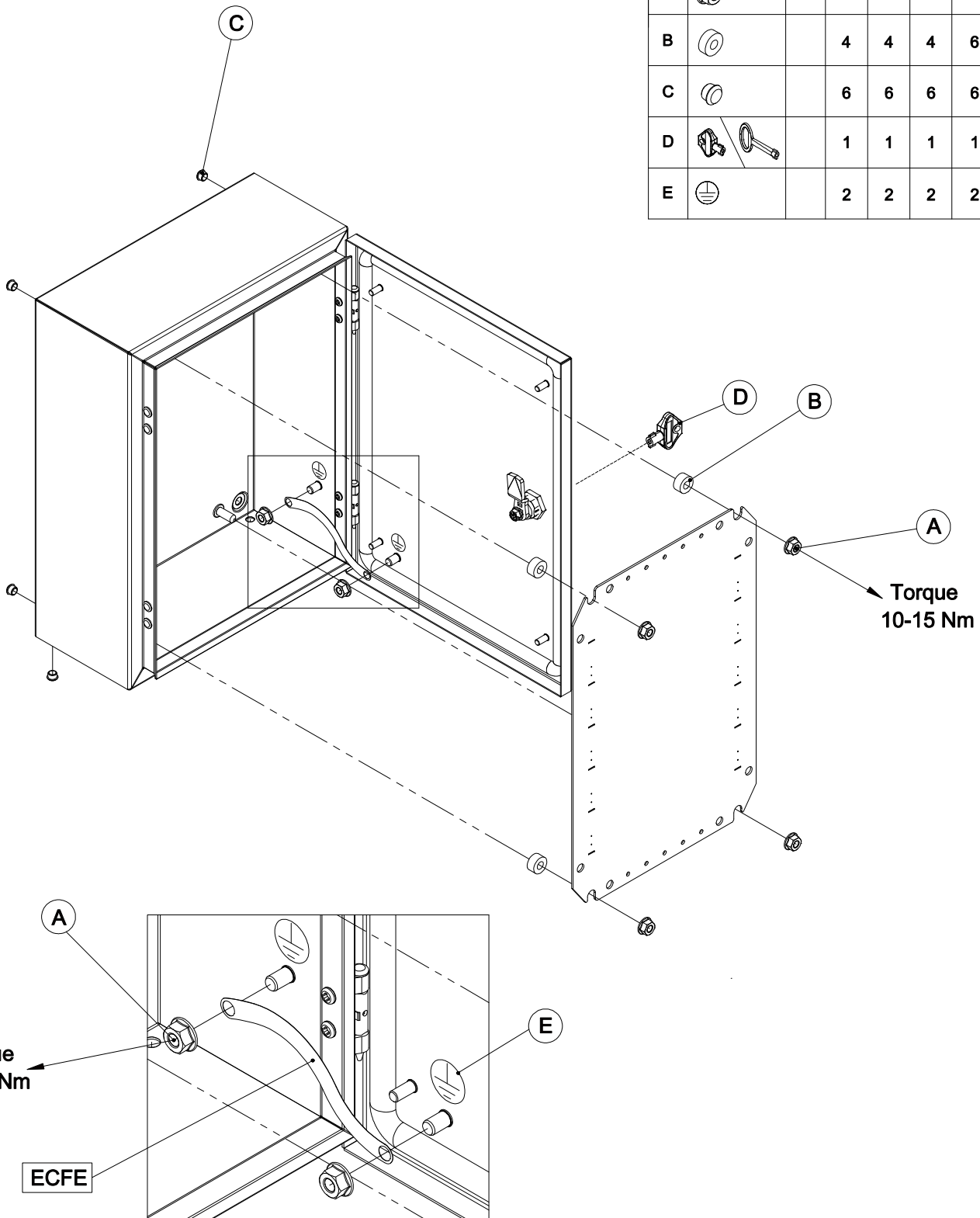


# MASE



Ref.	Pic.	H (mm)	200	200	300	1000	600	1000
		W (mm)	350	800	800	1200	800	1200
A	M8		6	6	6	8	6	8
B			4	4	4	6	4	6
C			6	6	6	6	6	6
D			1	1	1	1	1	1
E			2	2	2	2	2	2



**WARNING:** When mounting on or over a combustible surface, a floor plate of at least 1.43 mm galvanized or 1.6 mm uncoated steel extended at least 150 mm beyond the equipment on all sides must be installed.

**WARNING:** In order to maintain the environmental integrity of the enclosure, devices with the same environmental ratings shall be used to close openings in customized enclosure.