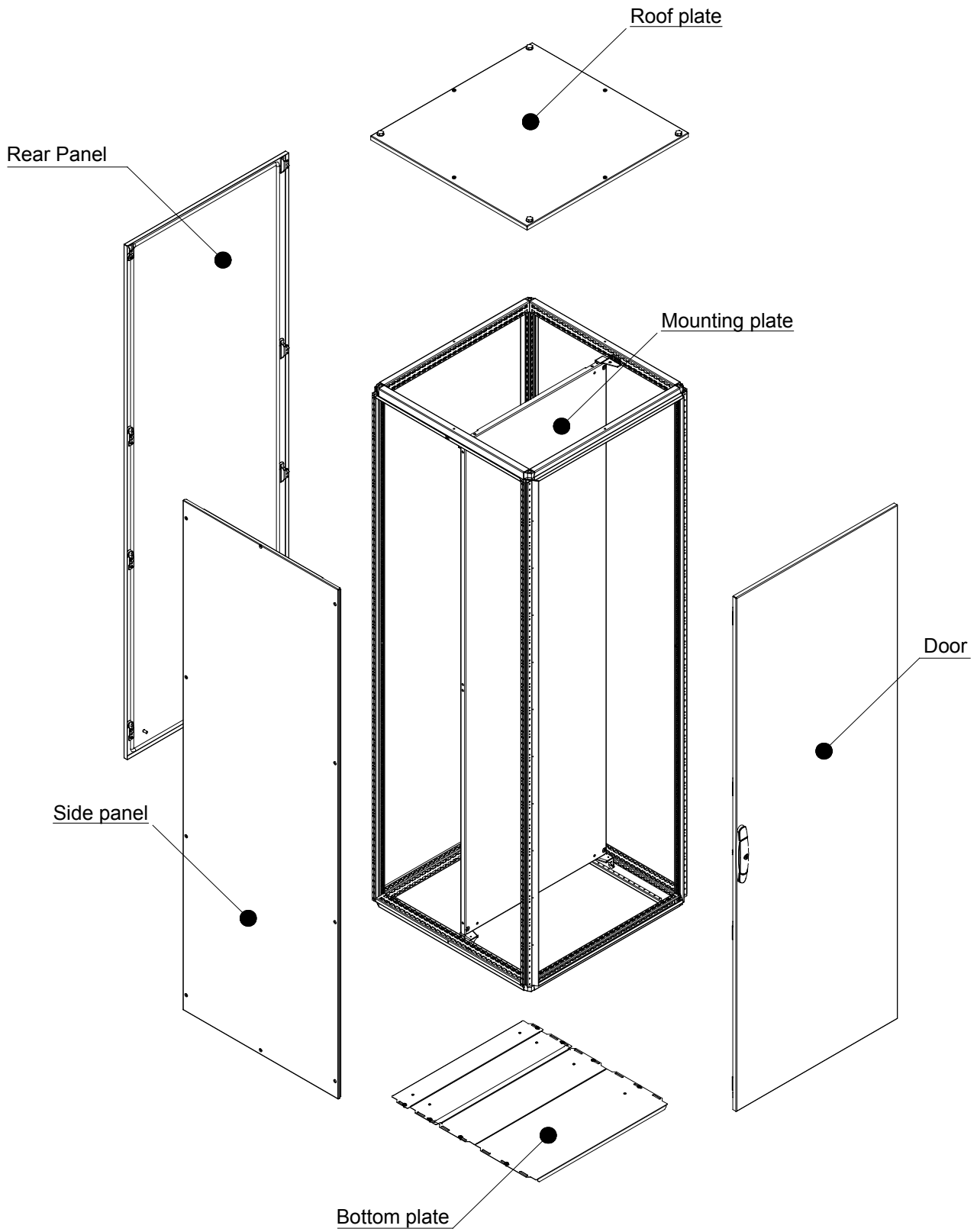
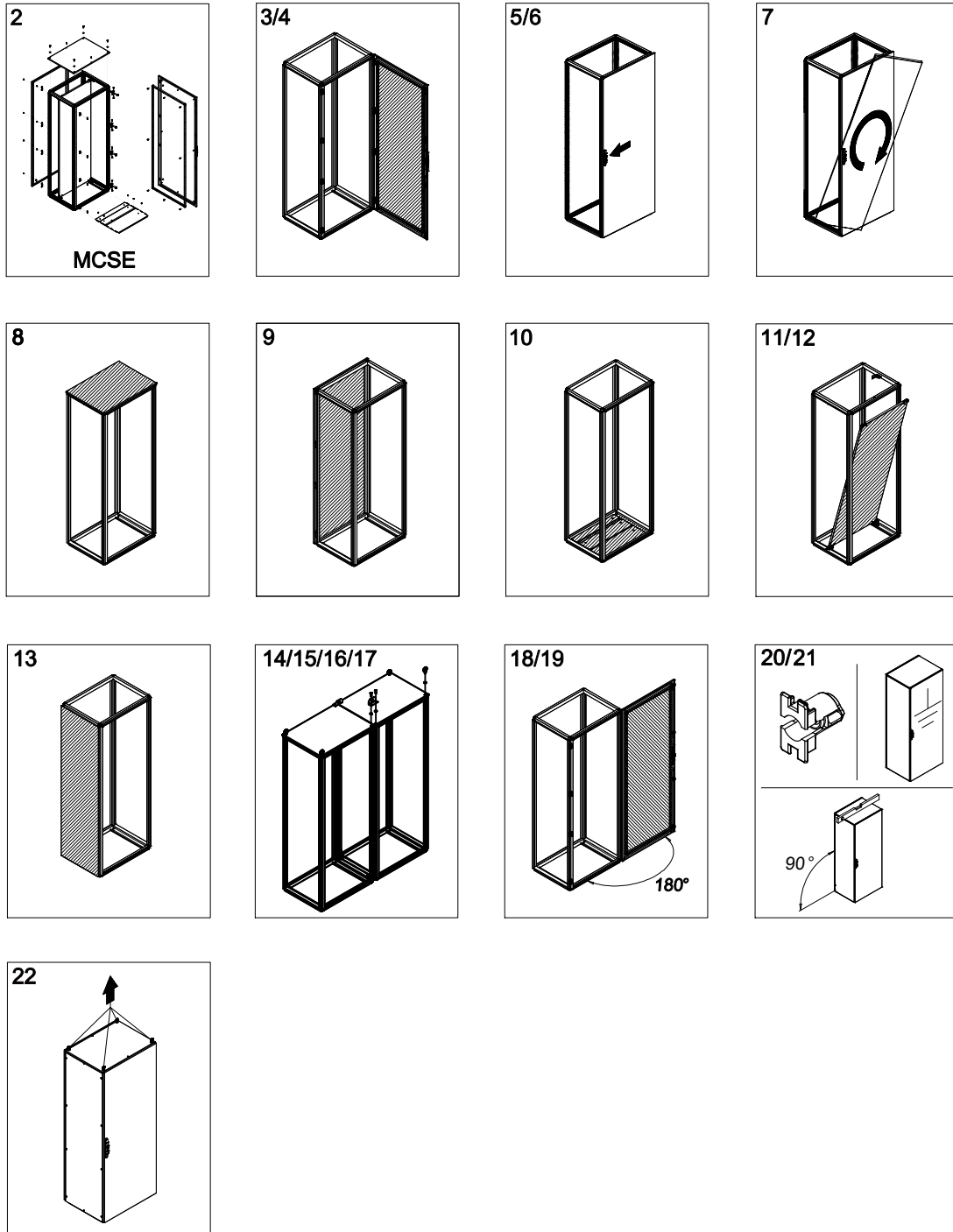


Floor standing enclosures Combinable EMC version

MOUNTING INSTRUCTION REV.4



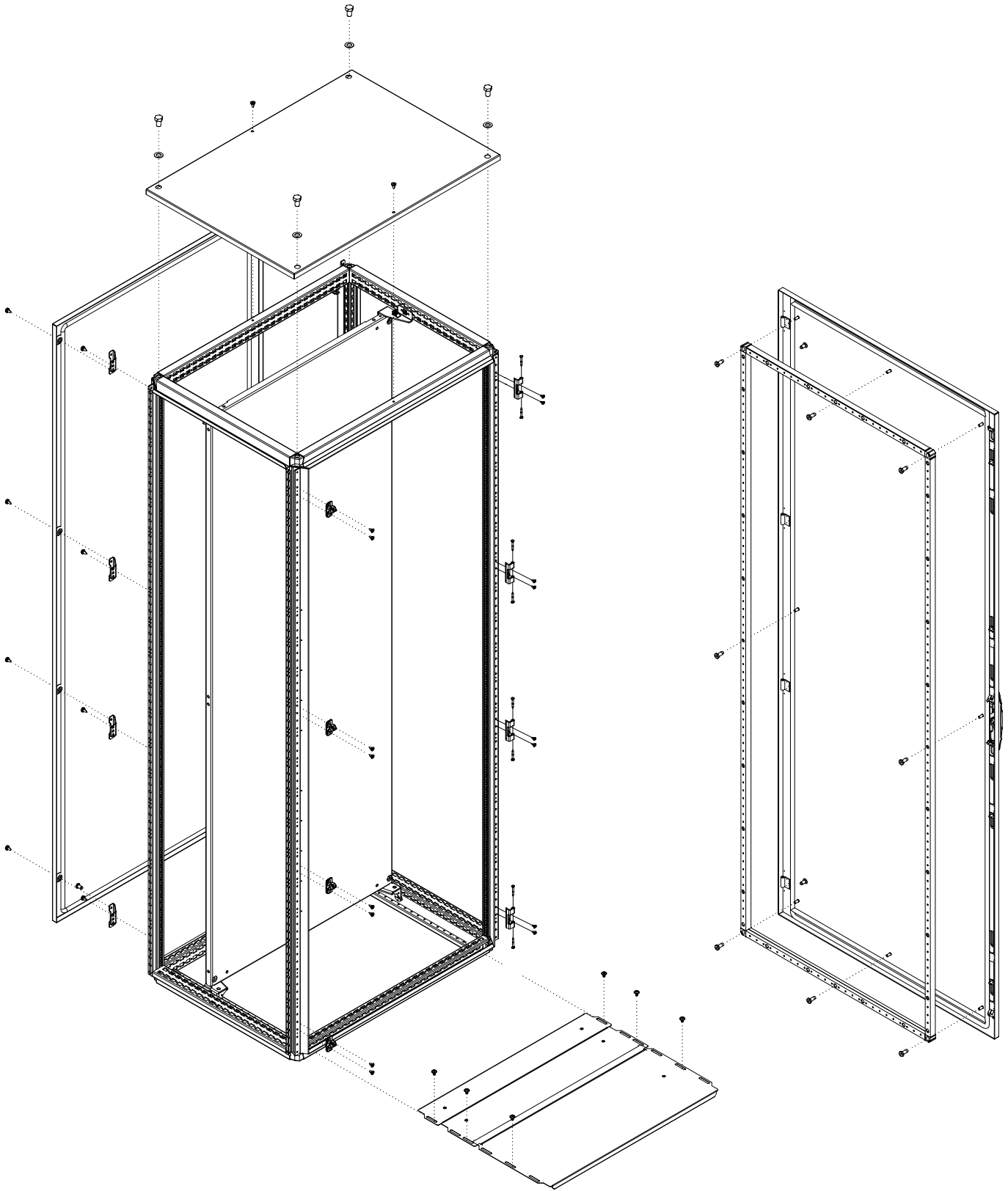


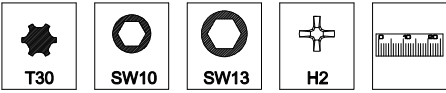


WARNING: When mounting on or over a combustible surface, a floor plate of at least 1.43 mm galvanized or 1.6 mm uncoated steel extended at least 150 mm beyond the equipment on all sides must be installed.

WARNING: In order to maintain the environmental integrity of the enclosure, devices with the same environmental ratings shall be used to close openings in customized enclosure.

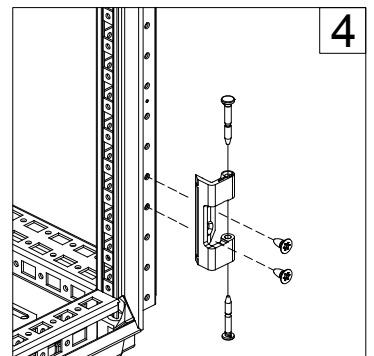
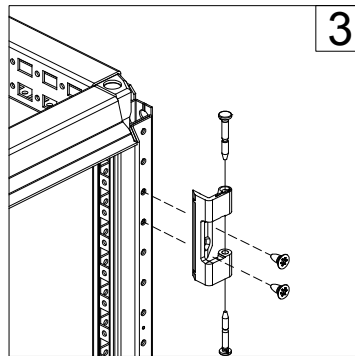
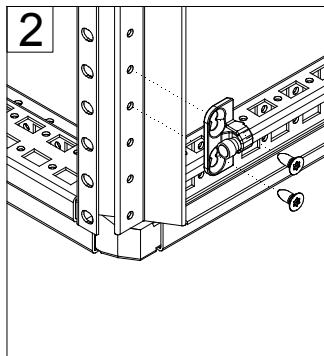
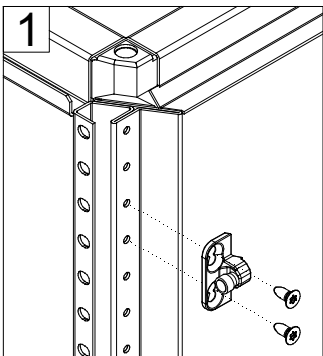
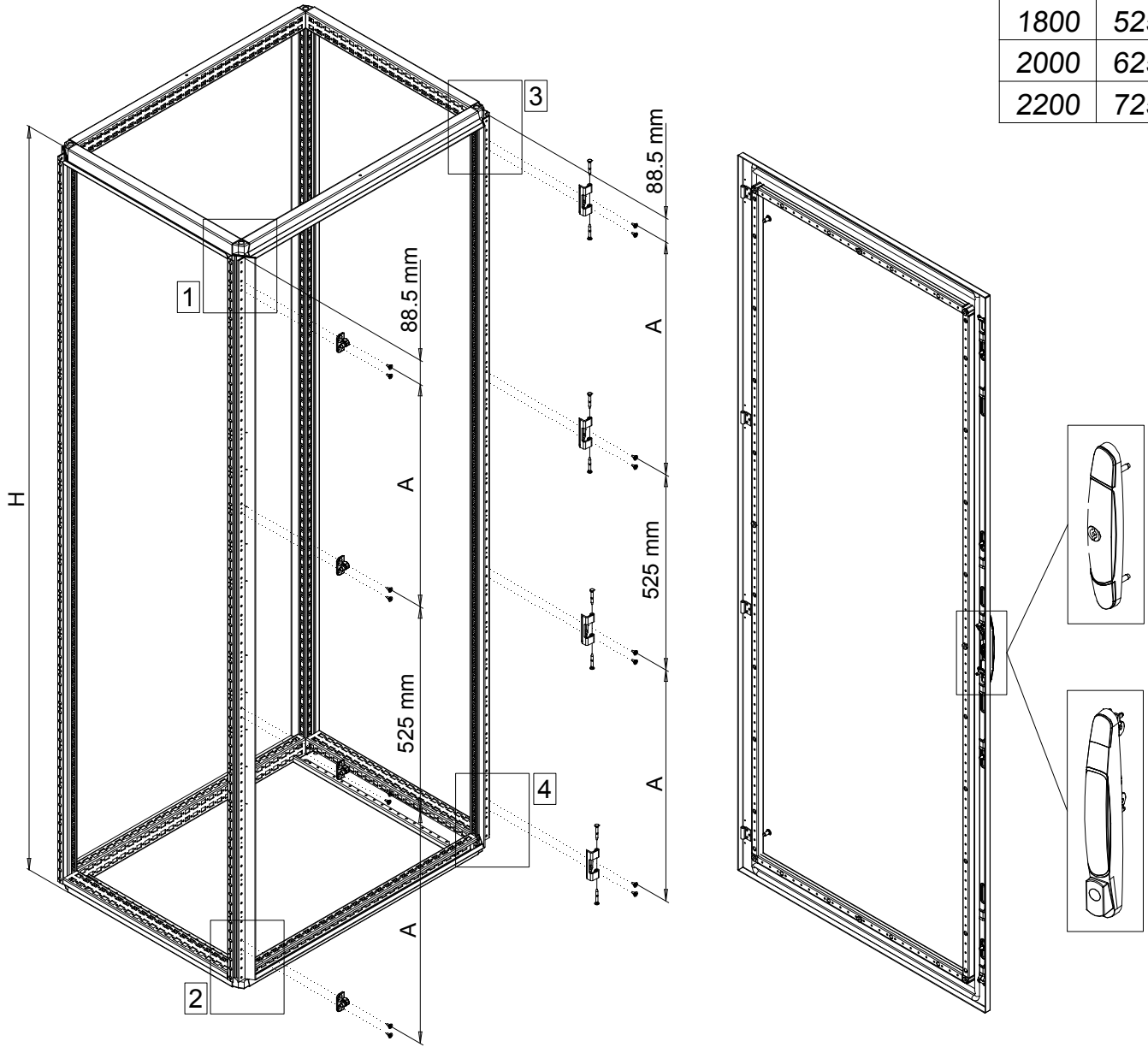
MCSE





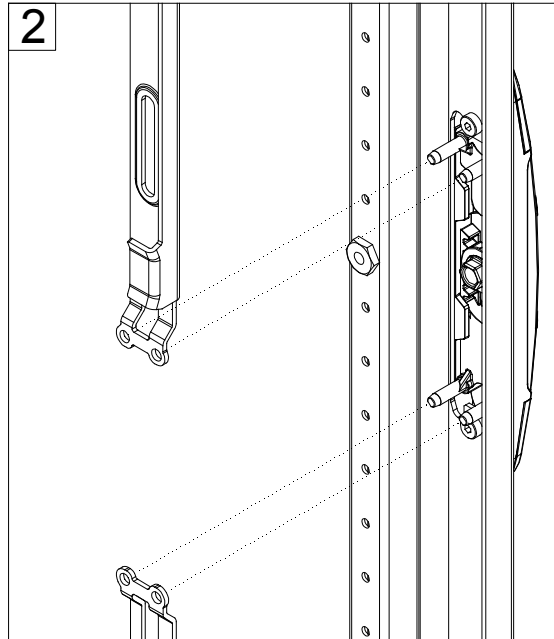
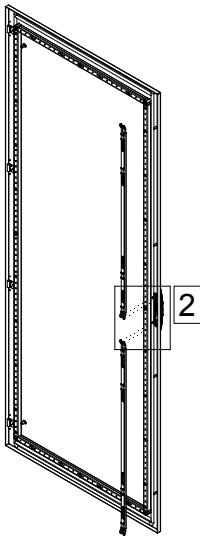
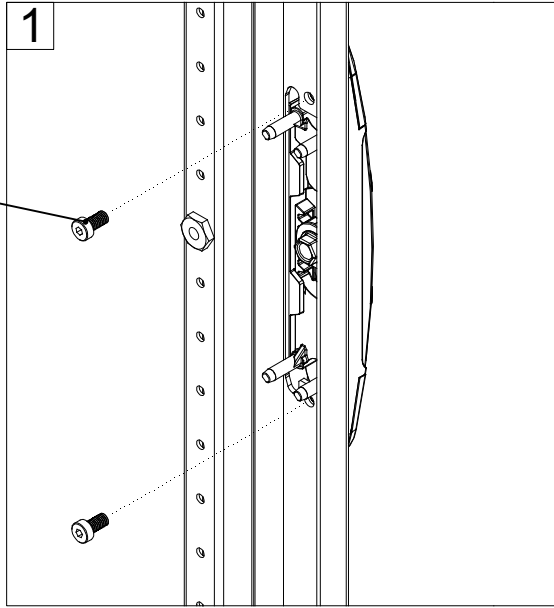
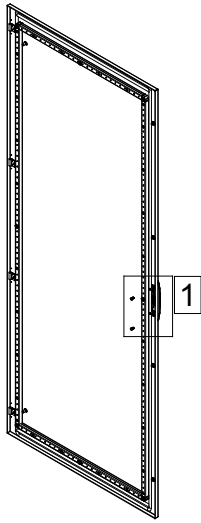
COMBINABLE ENCLOSURE

H	A
1100	175
1400	325
1600	425
1800	525
2000	625
2200	725

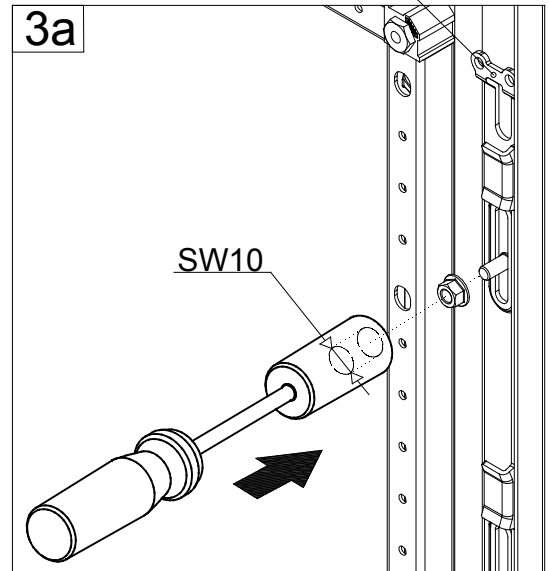
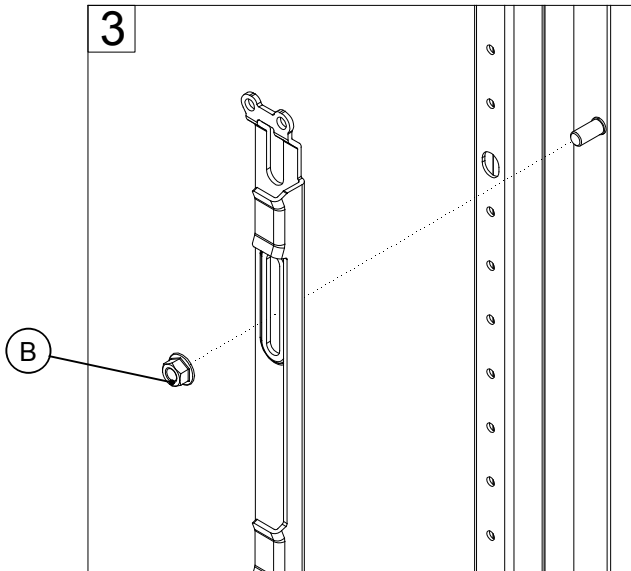
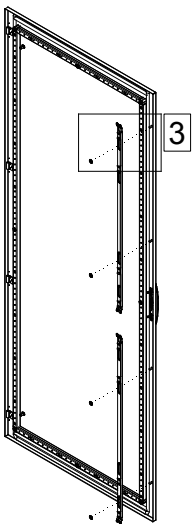




Ref.	Pic.	Qty.
A	M5x10	2
B	M5	4

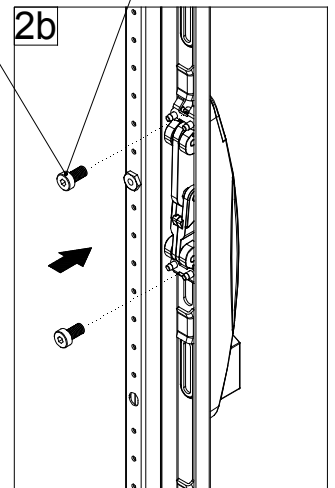
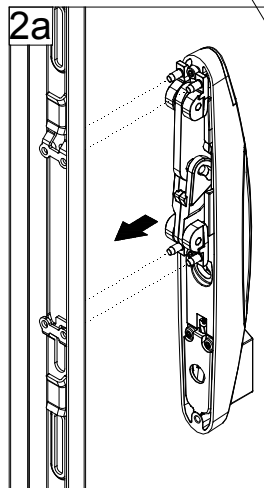
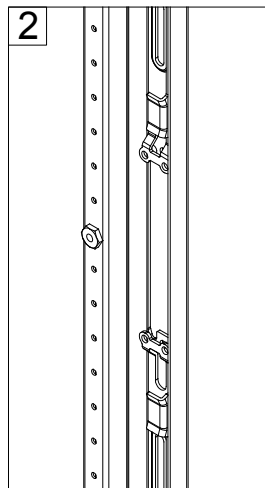
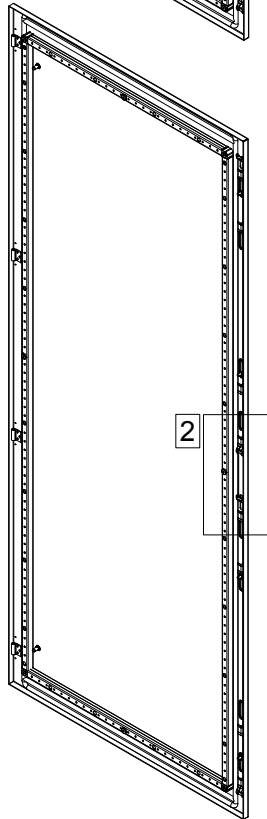
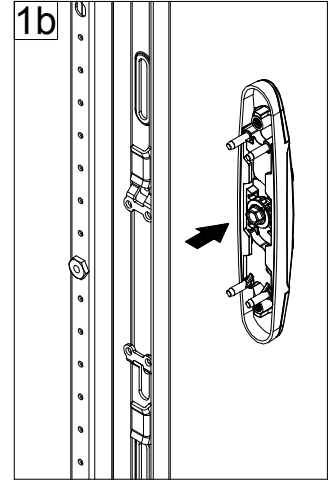
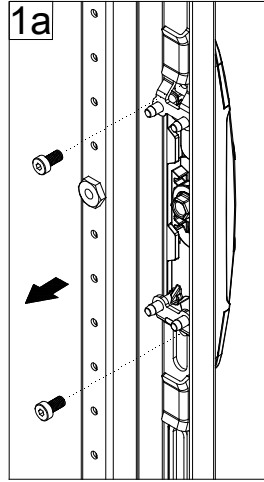
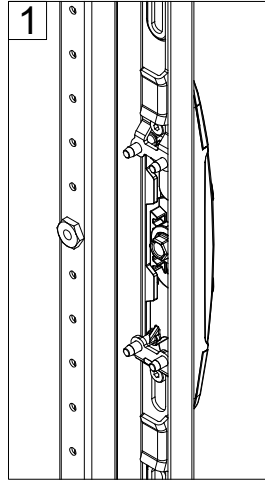
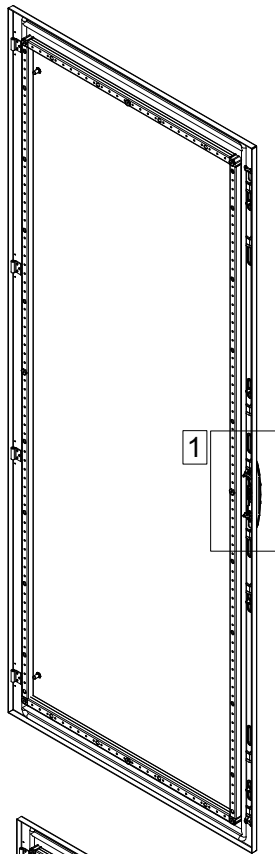


Metal Guider

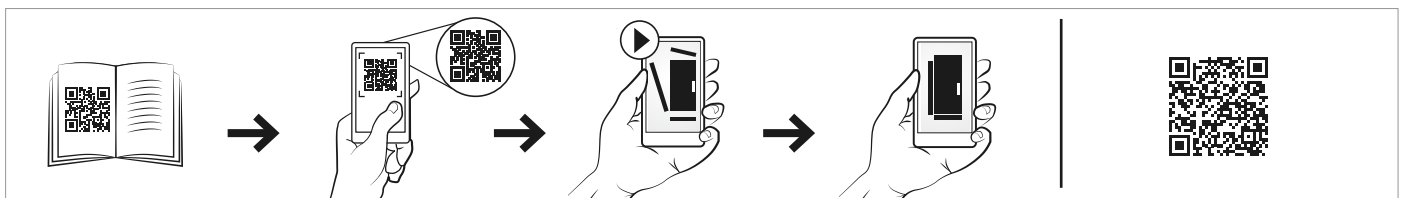




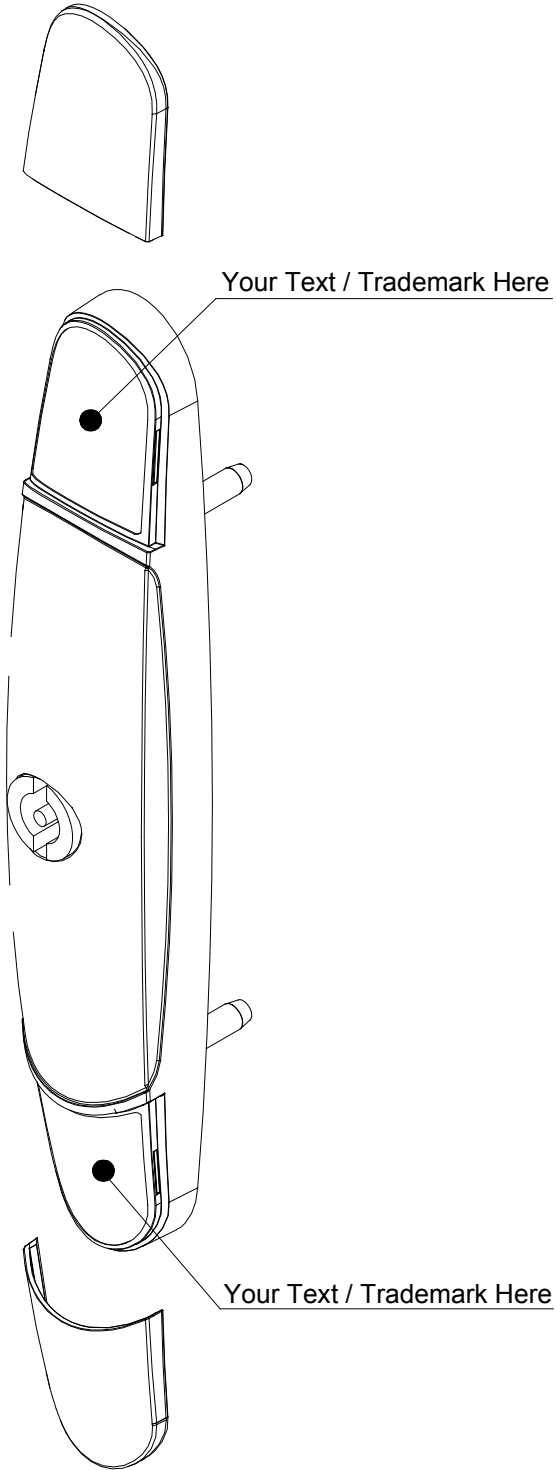
MOUNTING THE LIFT HANDLE



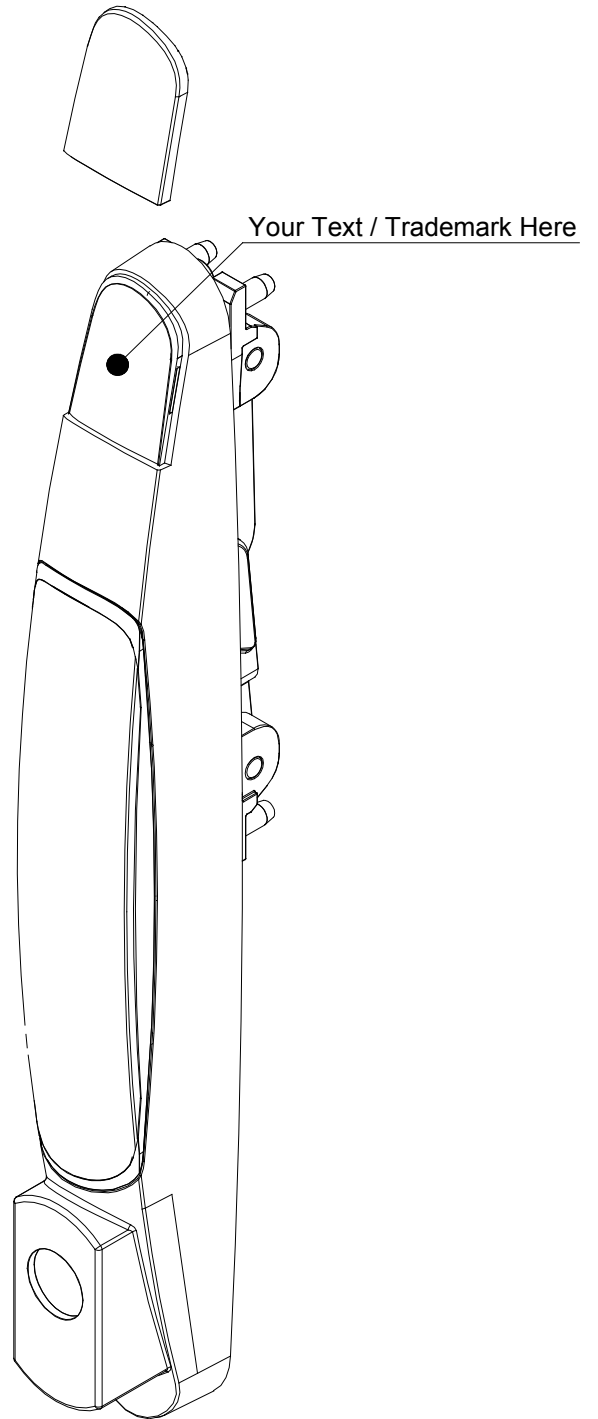
Torque
4-5.5 Nm

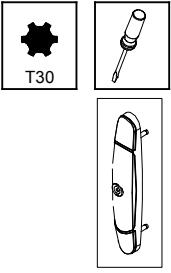


Standard Locking System

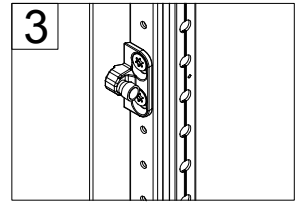
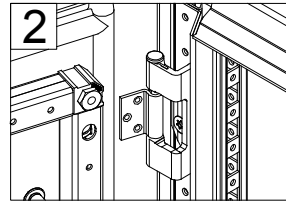
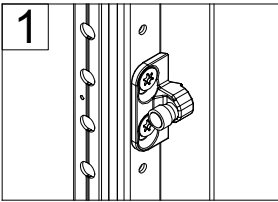
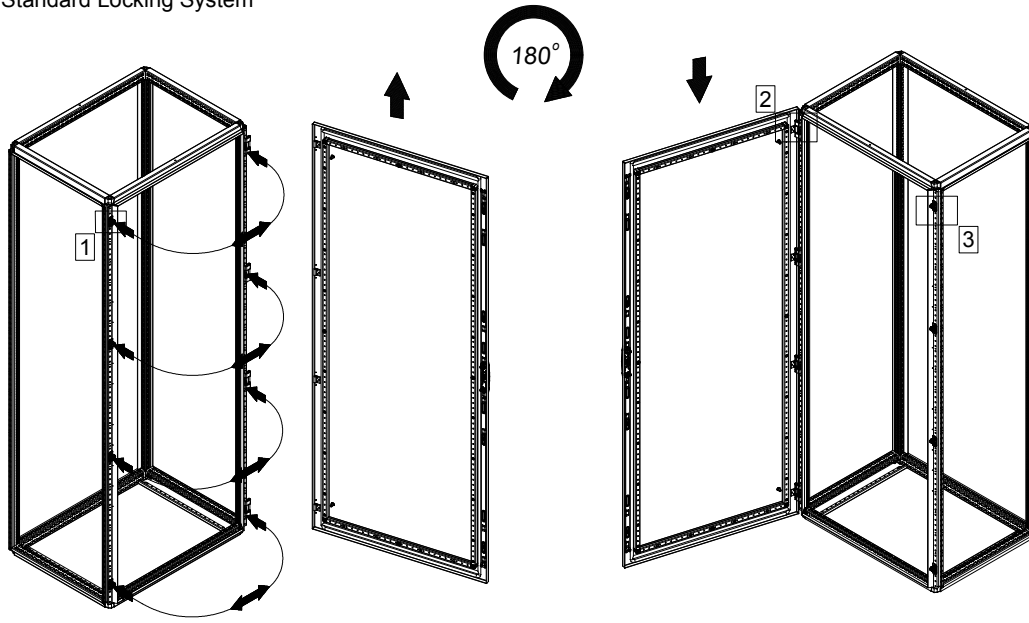


Lift Handle Locking System

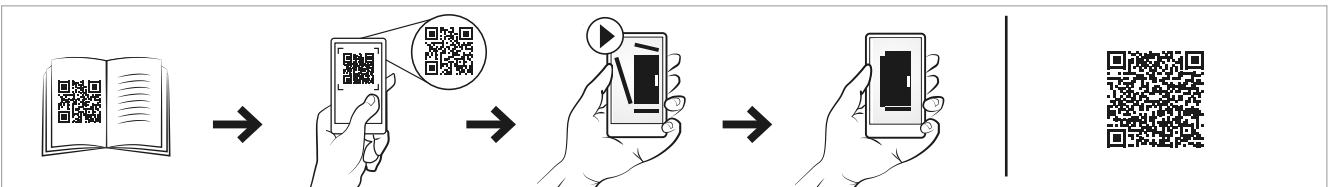
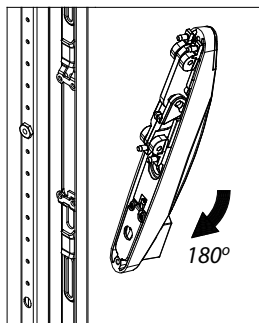
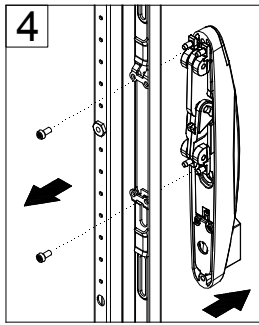
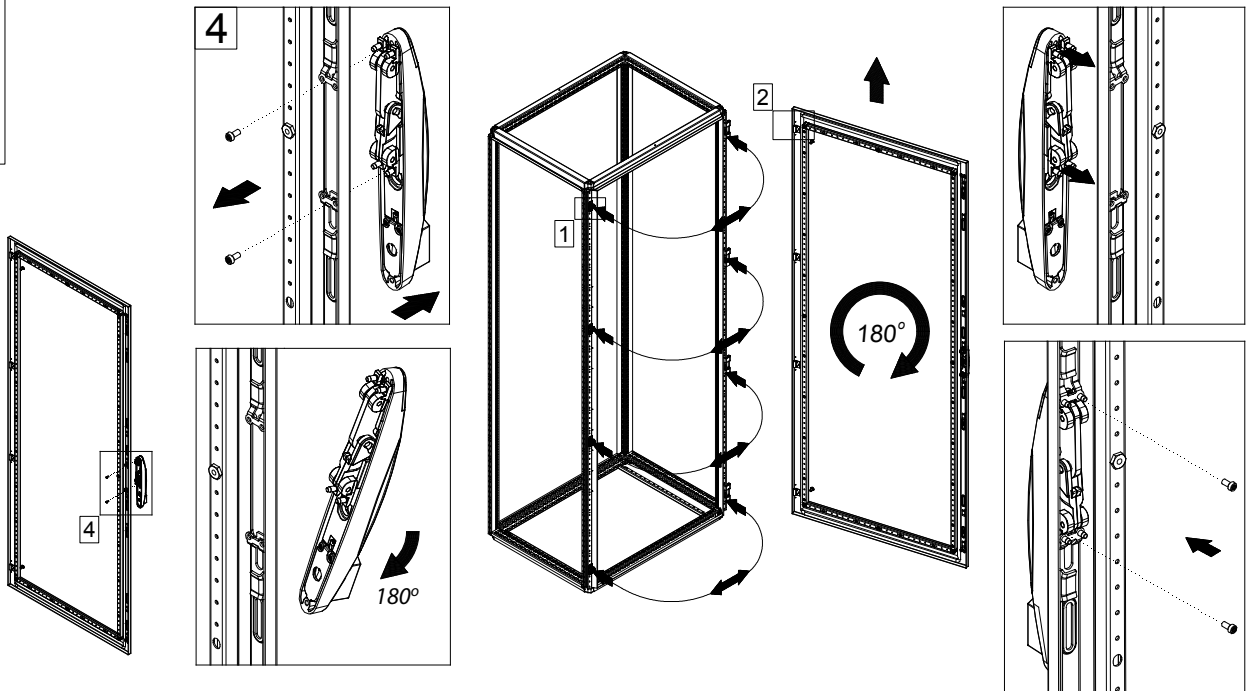
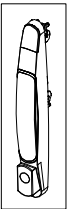


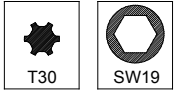


Standard Locking System



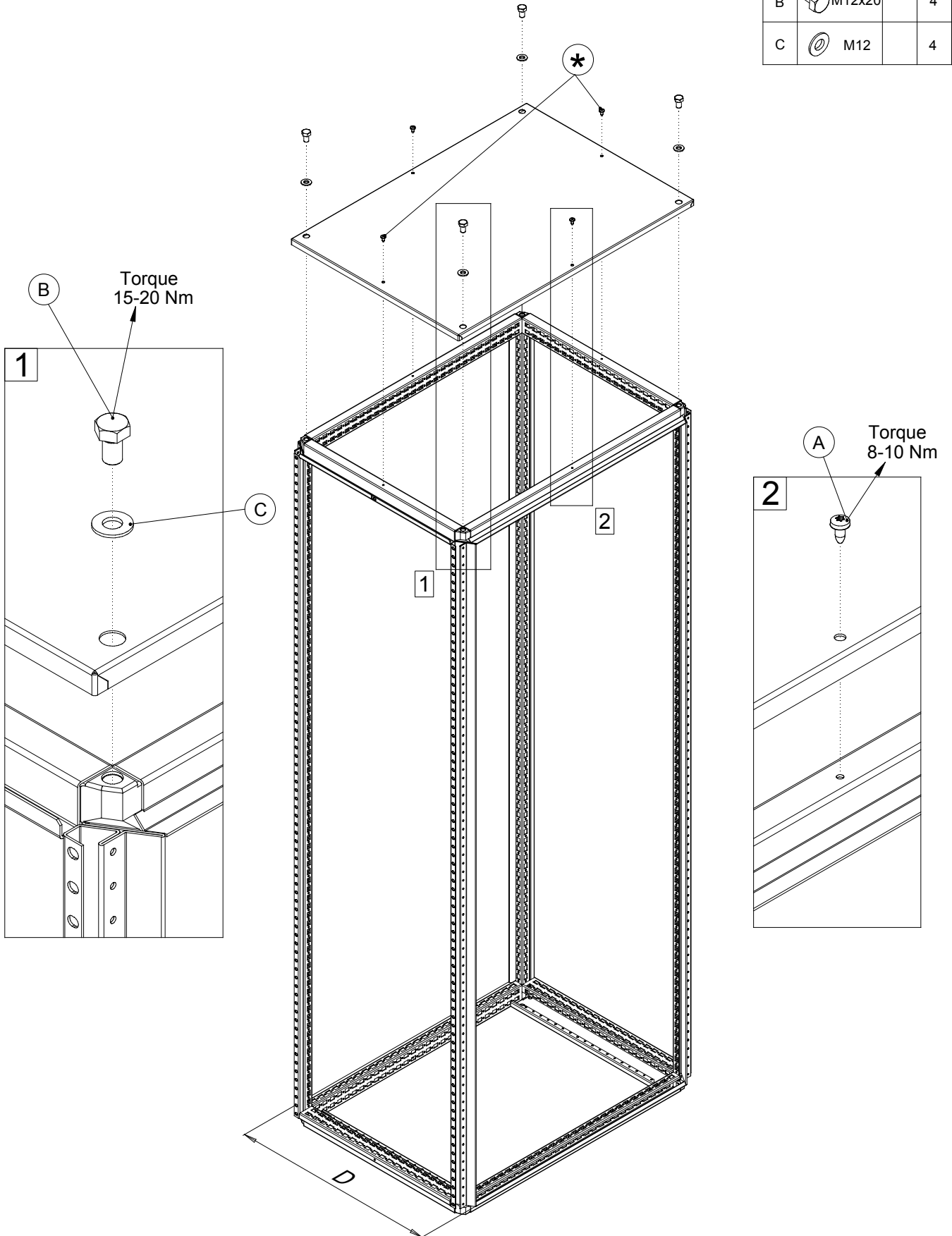
Lift Handle Locking System





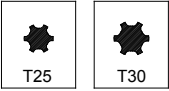
MCSE ROOF PANEL

Ref.	Pic.	D (mm)	<800	≥800
A	M6x12		2	4
B	M12x20		4	4
C	M12		4	4

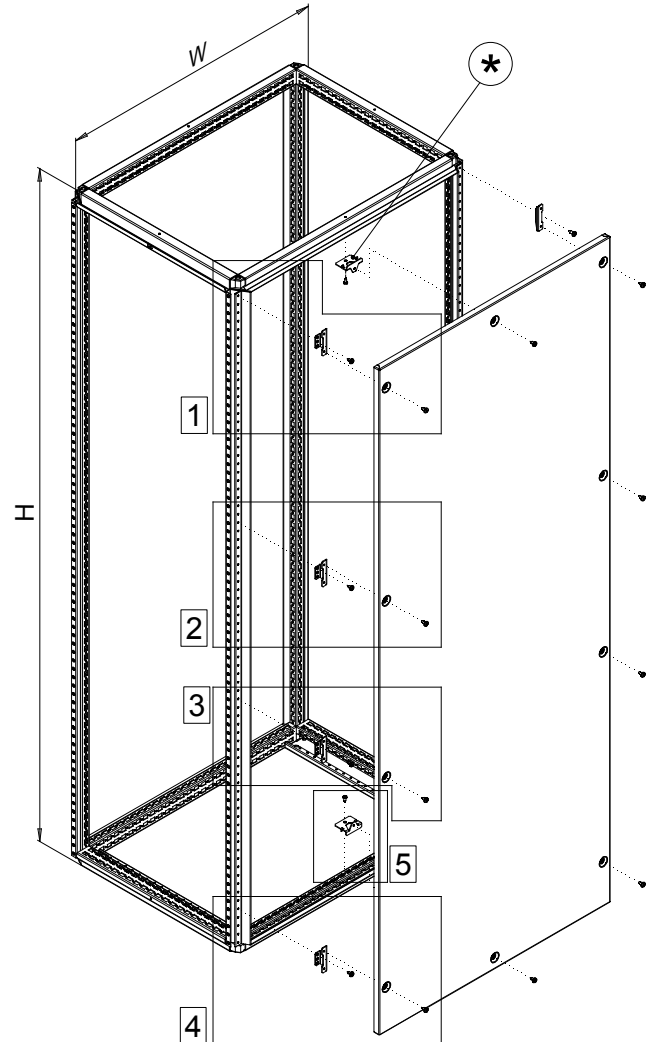
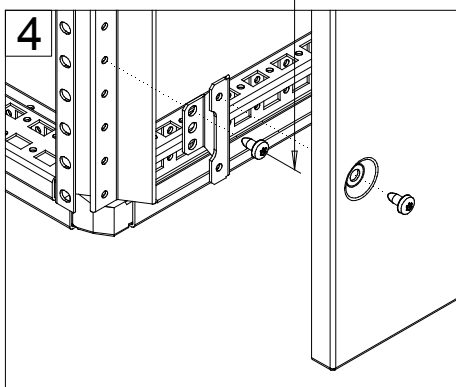
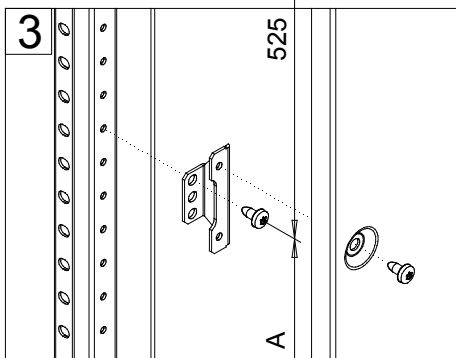
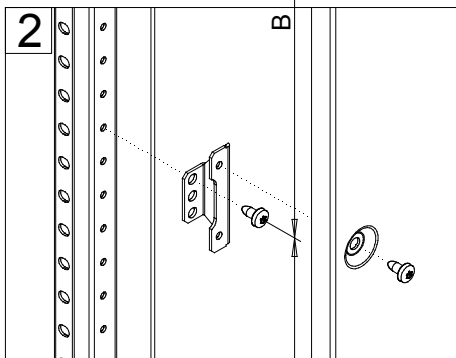
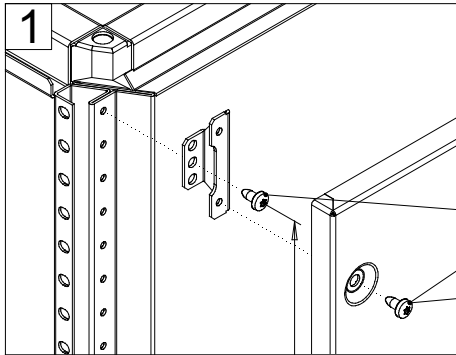


* - Used on enclosures 800mm deep and above.

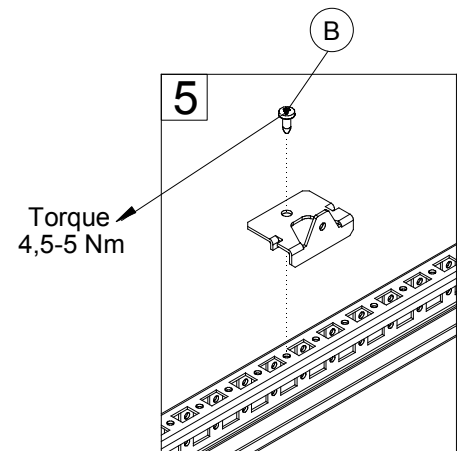
MCSE BACK PANEL



Ref.	Pic.	W (mm)	<1000	≥1000
A			-	2
B		16	18	



H	A	B
1100	-	350
1400	325	375
1600	425	475
1800	525	575
2000	625	675
2200	725	775

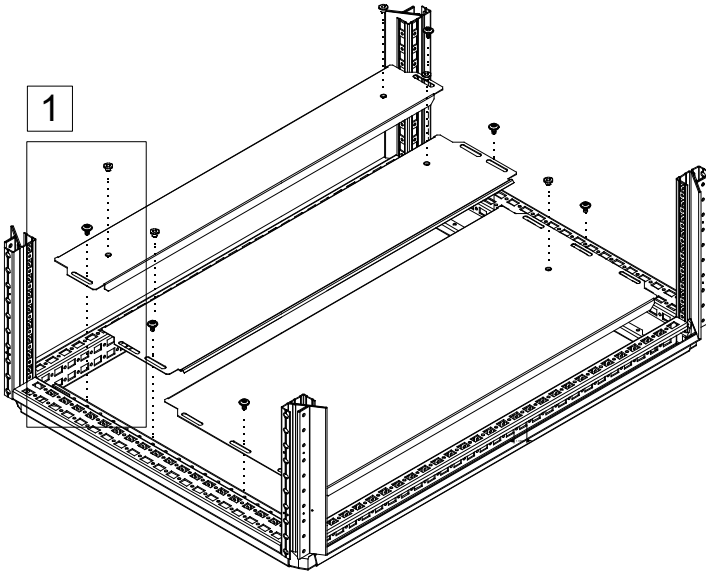


* - Used on enclosures 1000mm wide and above.

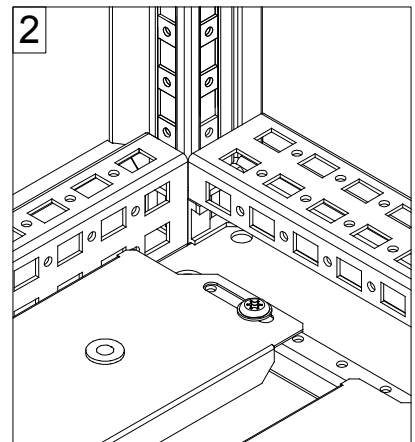
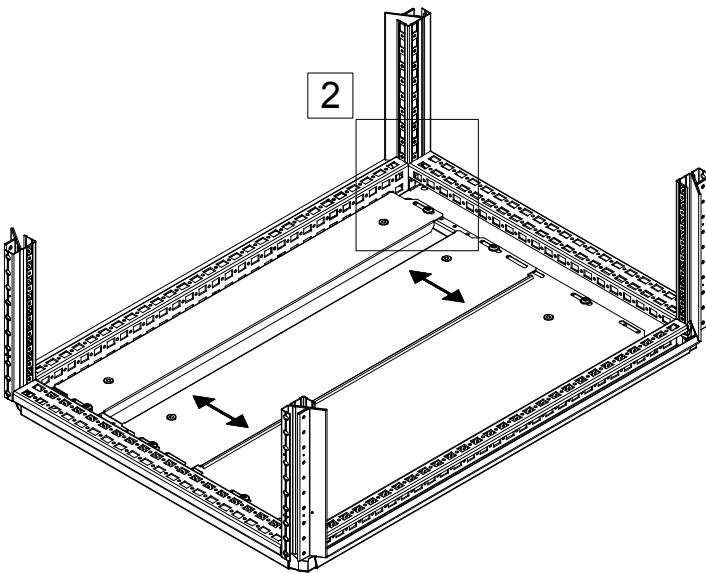
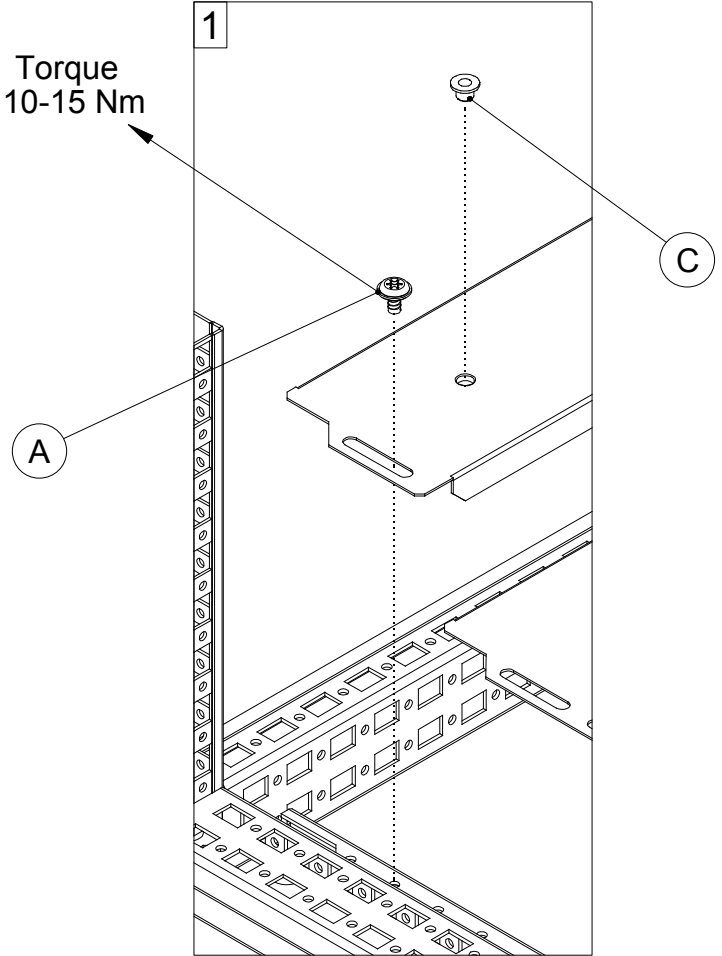


BOTTOM PLATE

Ref.	Pic.	Qty.
A	St. 5.5x10	6/8/12/16
B	M5x10	4
C	Washer	5/7/10/14



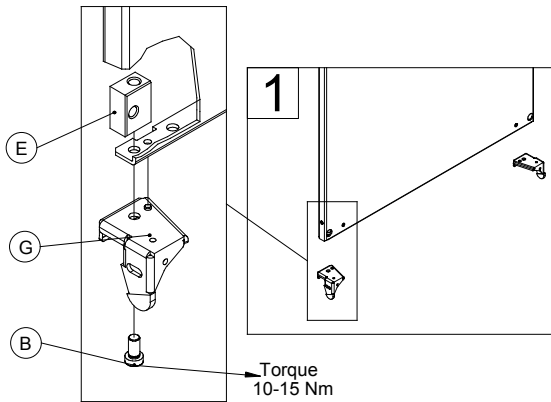
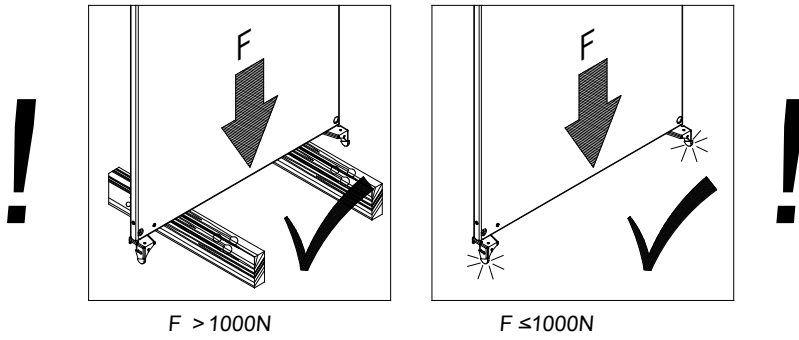
Torque
10-15 Nm



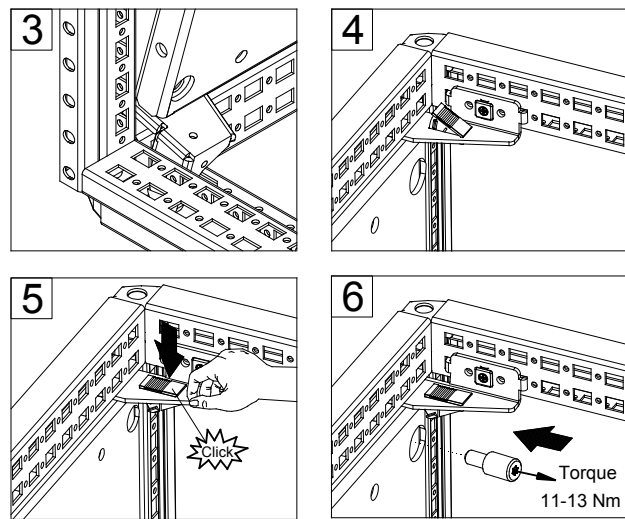
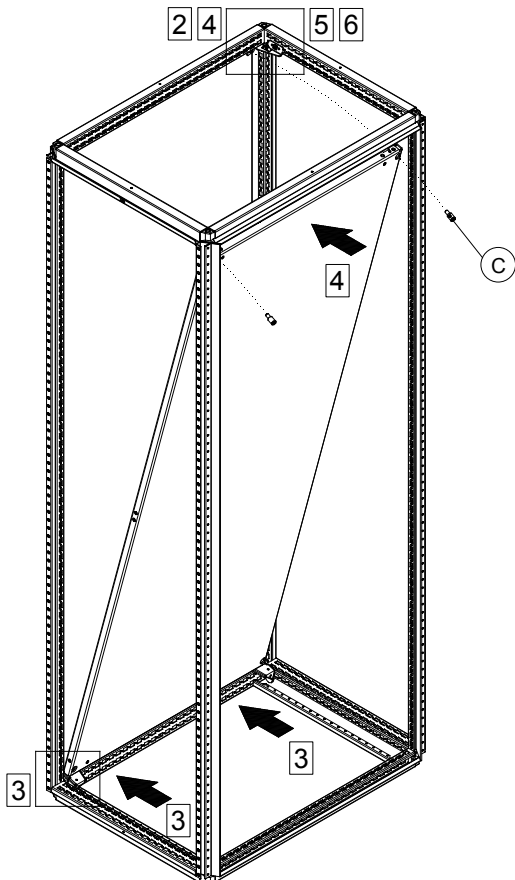
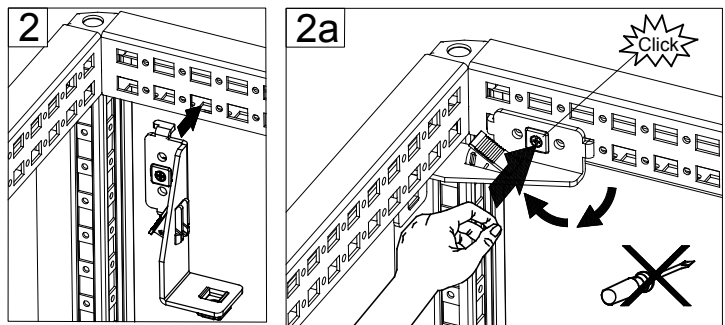


MOUNTING PLATE

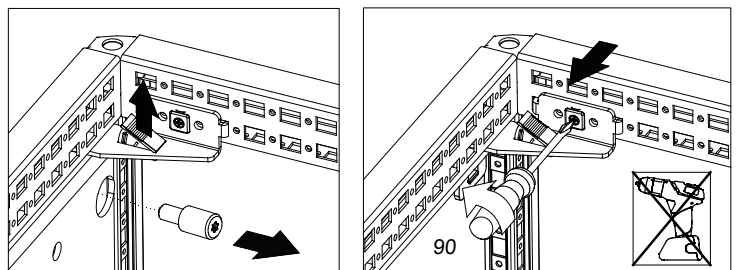
Ref.	Pic.	Qty.
A	M8x16	2
B	M8x16	2
C		2
D	Bottom right	1
E	Bottom left	1
F	Top right	1
G	Top left	1



MOUNTING



UNMOUNTING

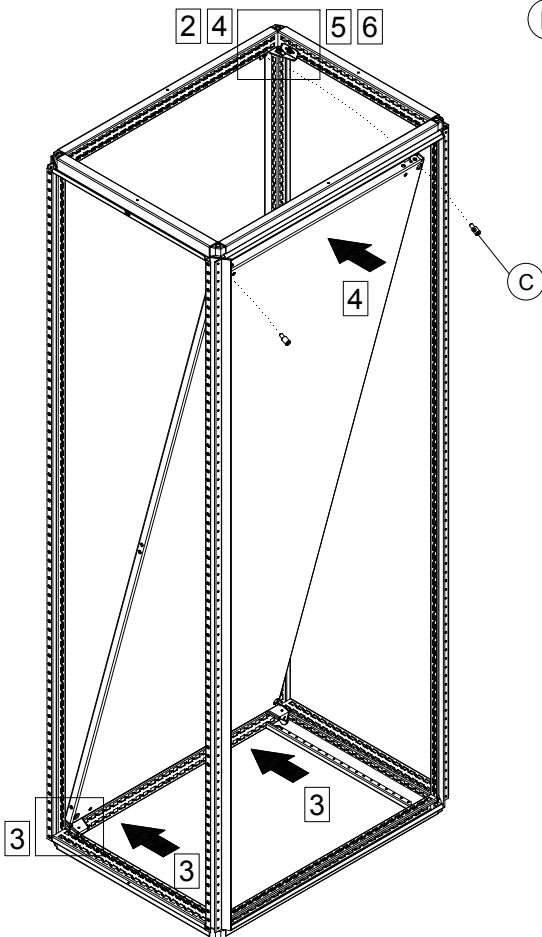
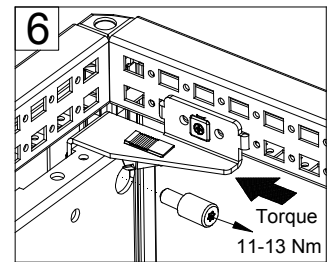
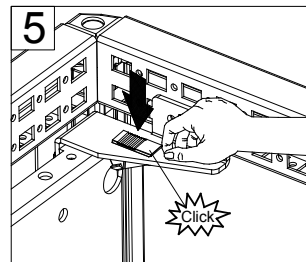
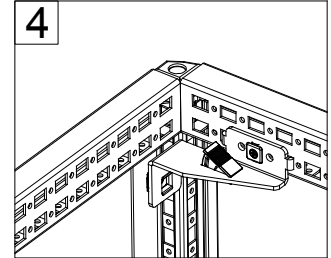
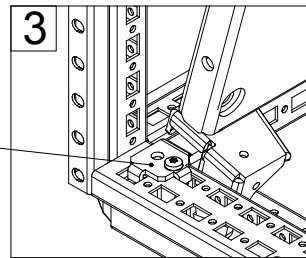
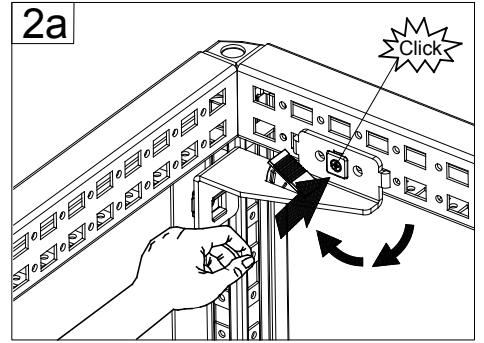
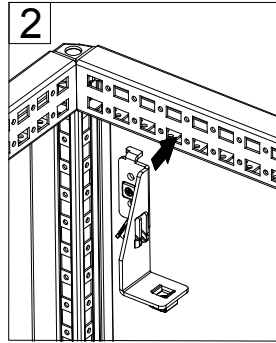
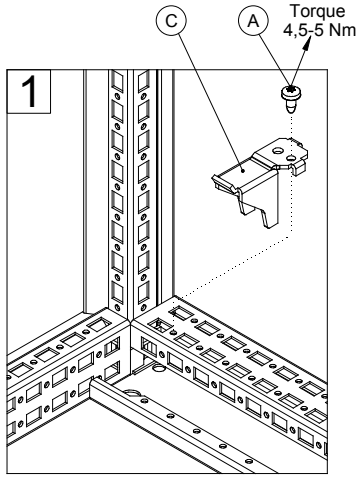




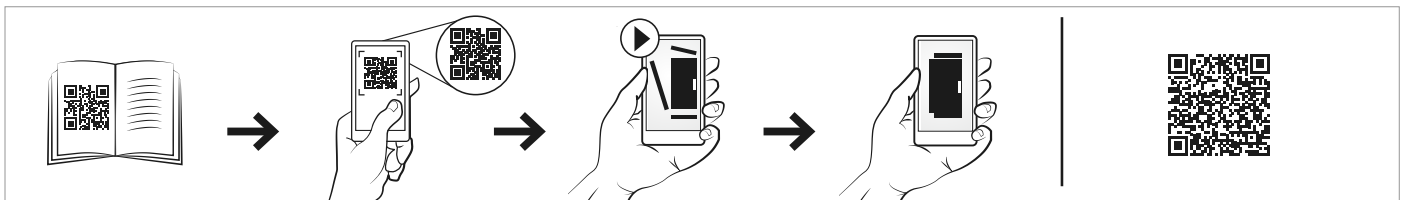
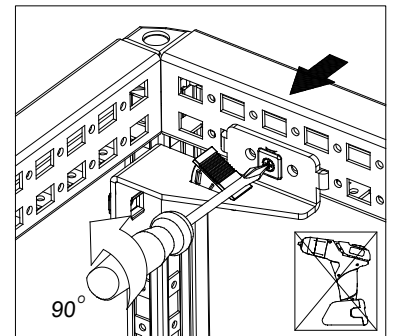
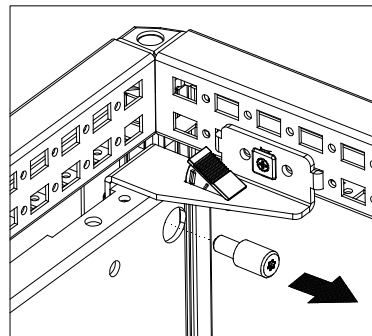
MPD02

Ref.	Pic.	Qty.
A	M5x10	2
B	Bottom left	1
C	Bottom right	1




MOUNTING

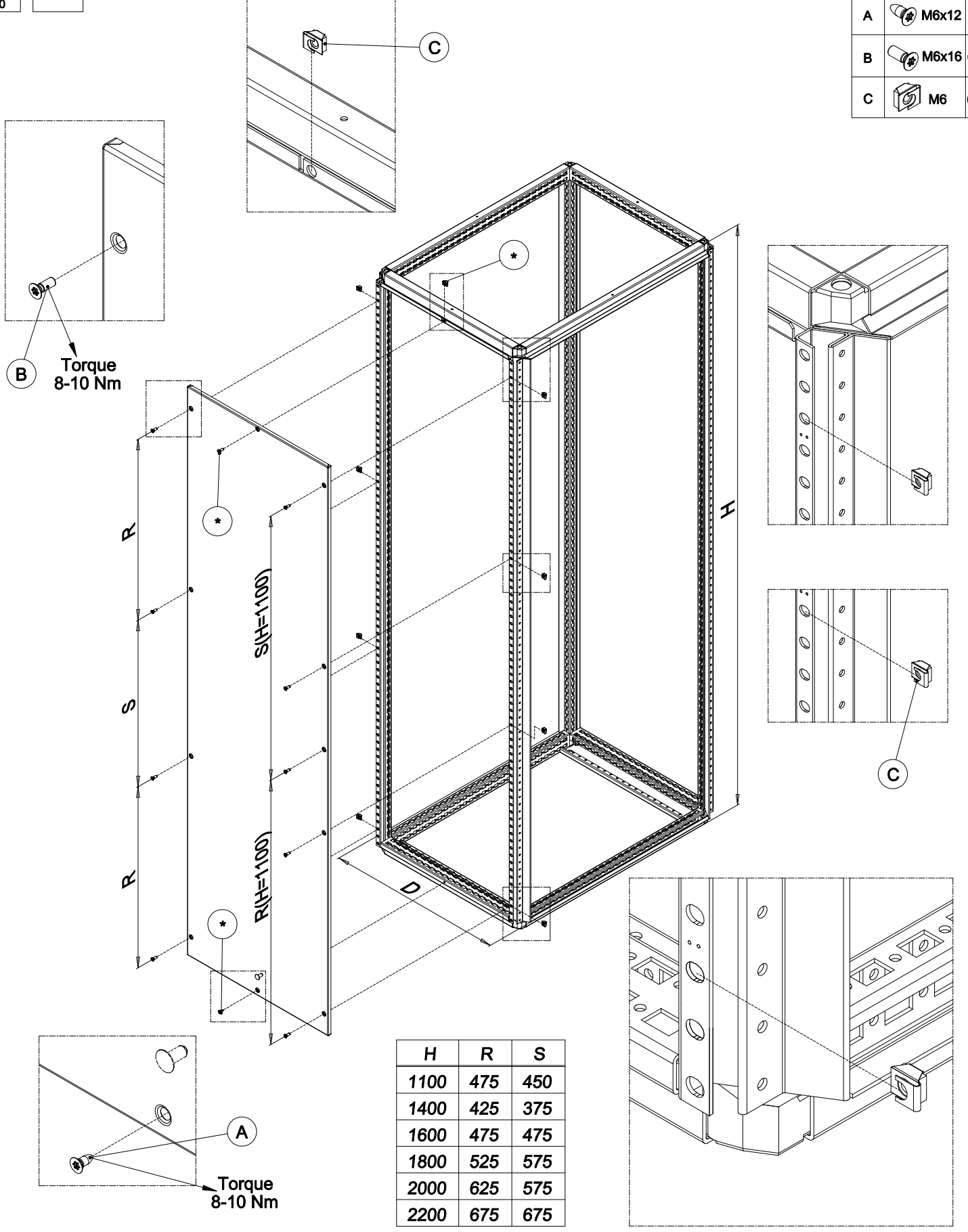


UNMOUNTING



SPME

Ref.	Pic.	Qty.
A	 M6x12	0/1
B	 M6x16	6/8/9
C	 M6	6/8/9

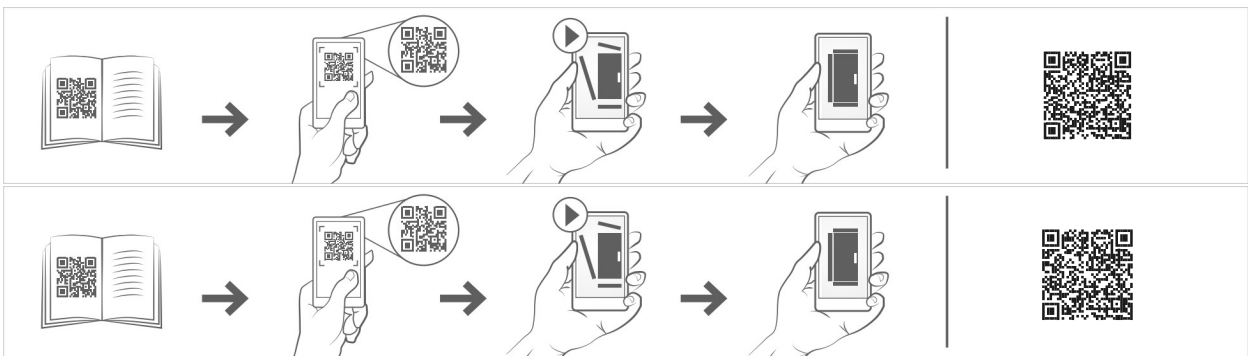
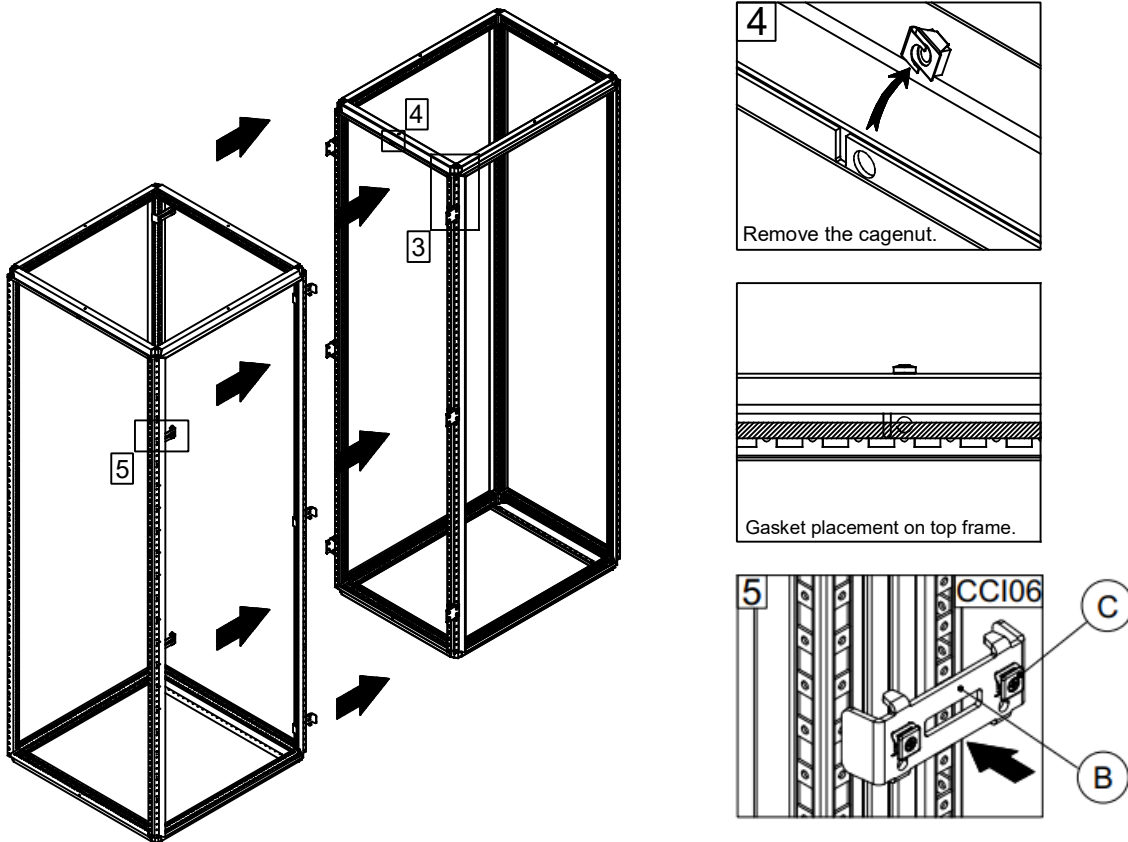
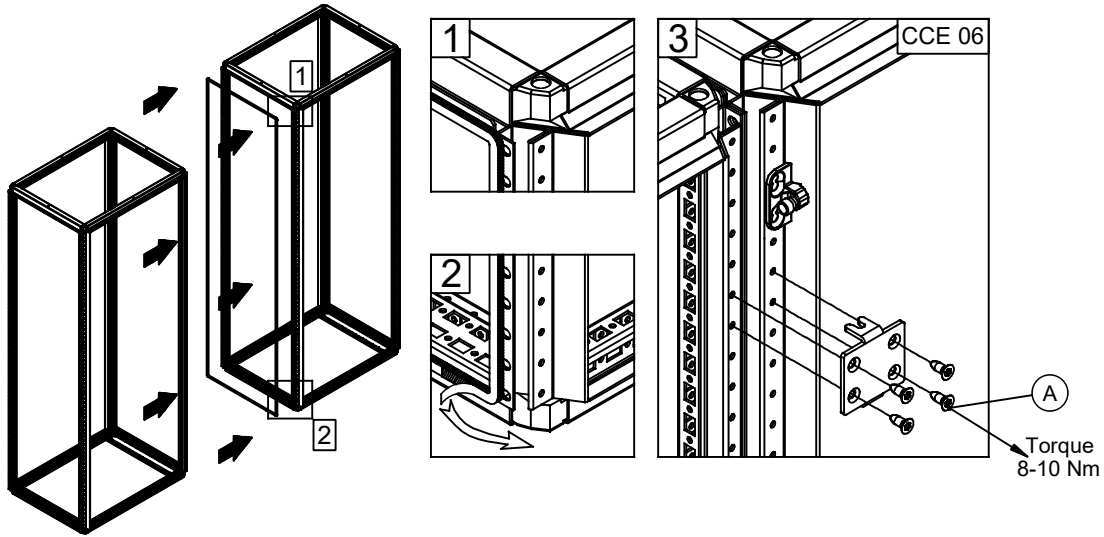


H	R	S
1100	475	450
1400	425	375
1600	475	475
1800	525	575
2000	625	575
2200	675	675

* - Used only on enclosures 800mm deep and above.

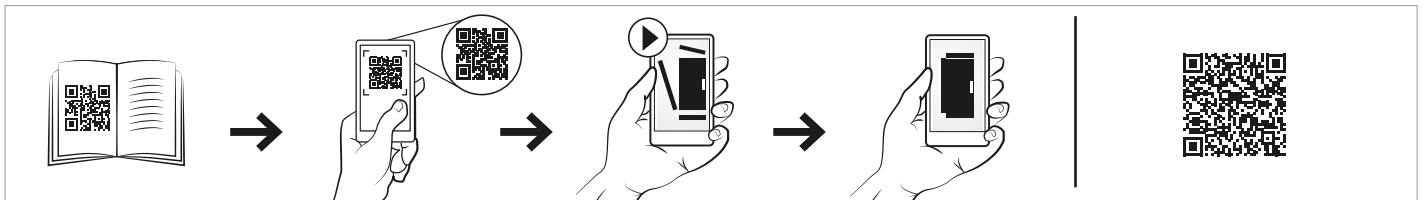
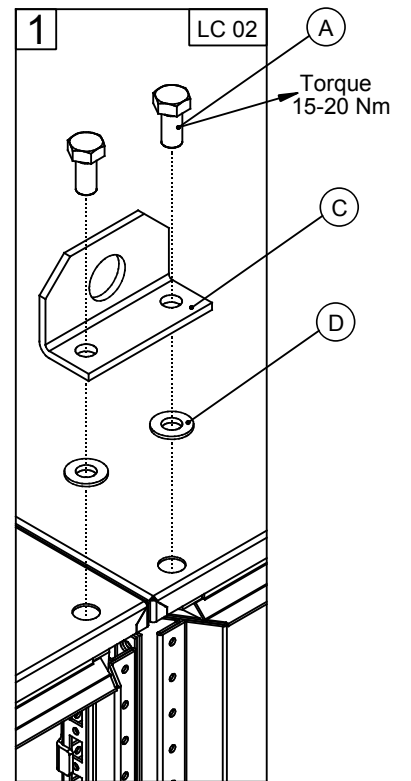
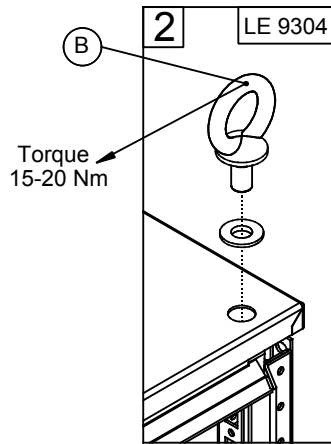
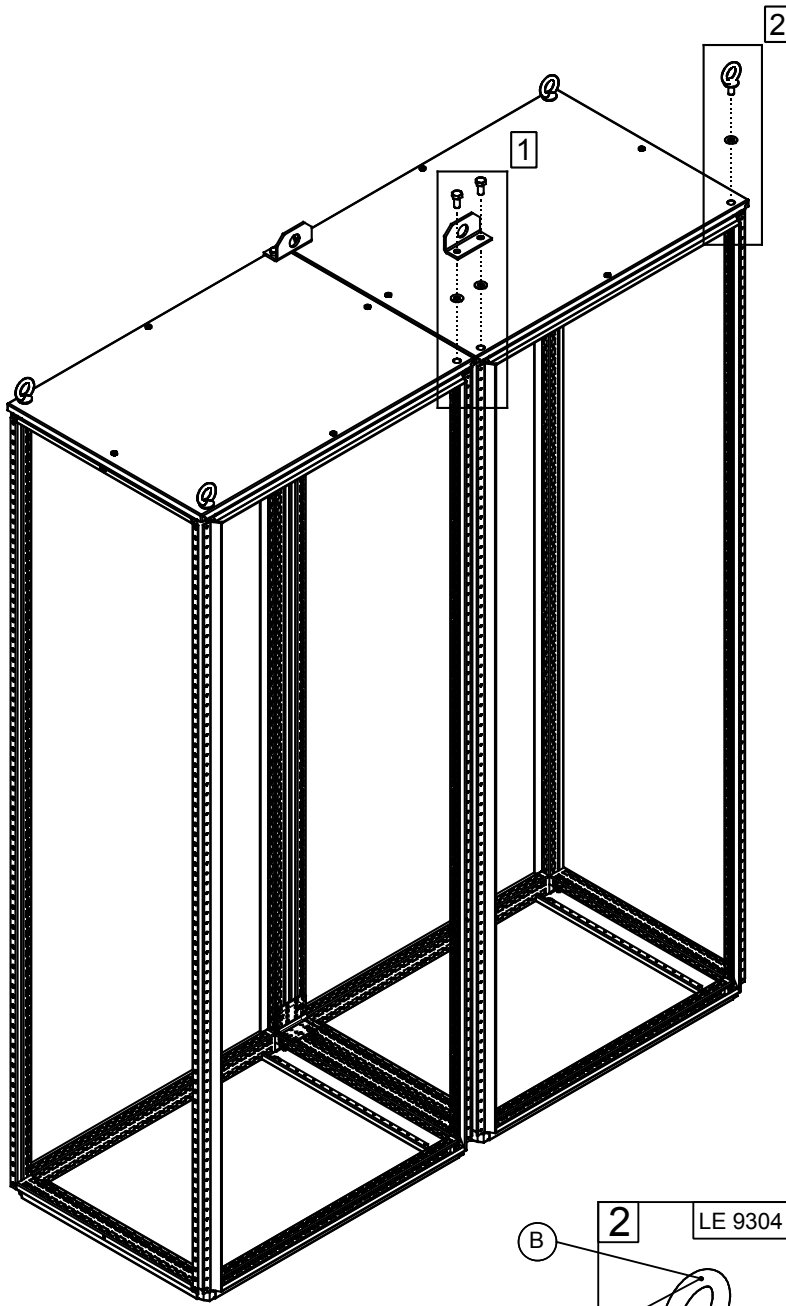


Ref.	Pic.	Qty.
A		8
B		6
C		12
D		6





Ref.	Pic.	Qty.
A	M12x25	4
B	M12	4
C	2	2
D	M12	4

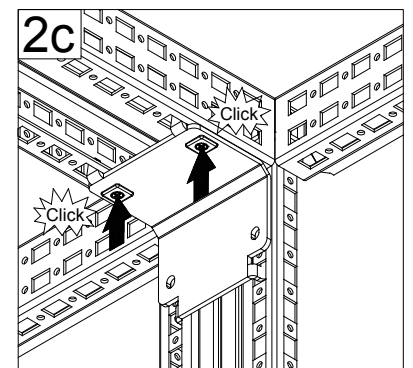
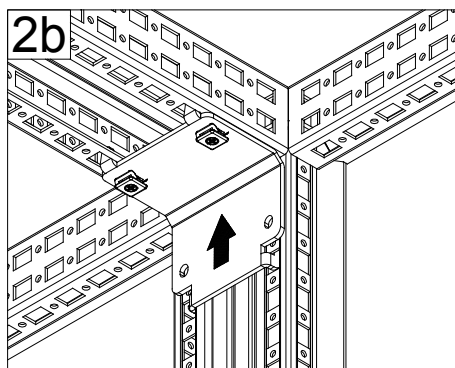
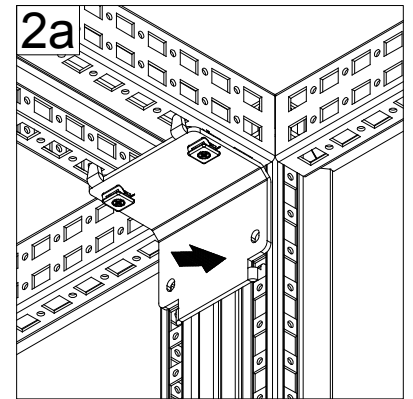
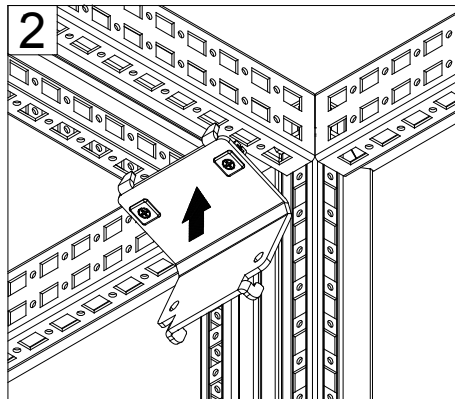
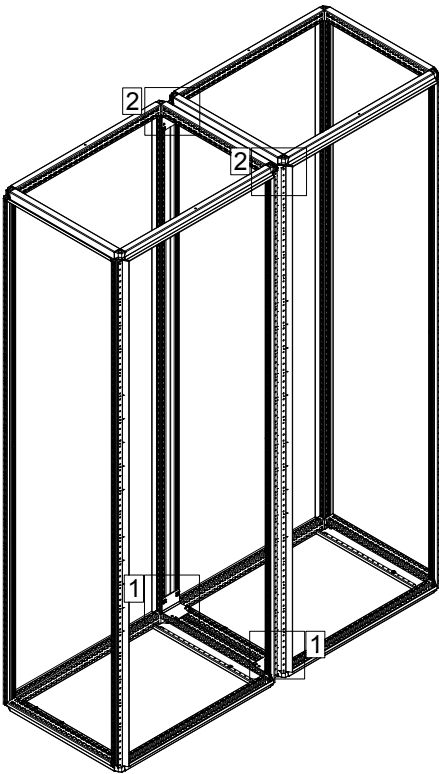
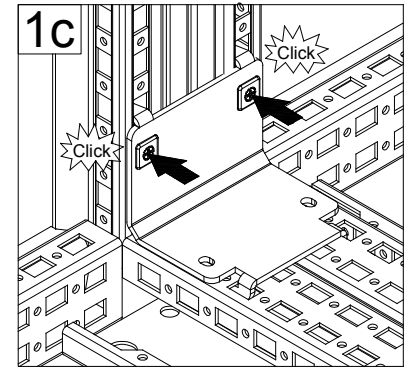
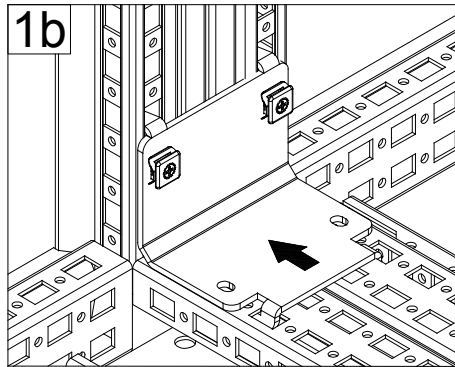
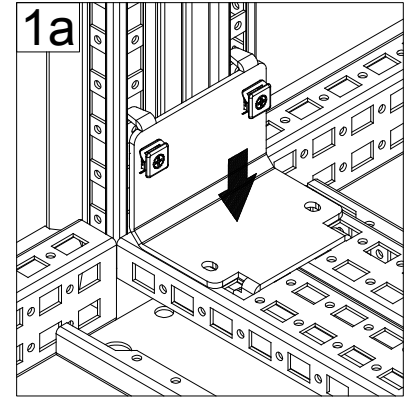
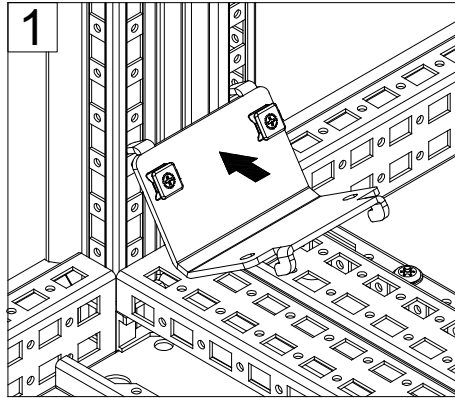
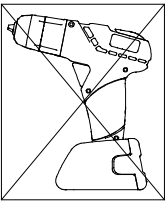
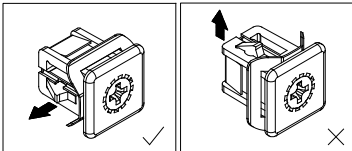
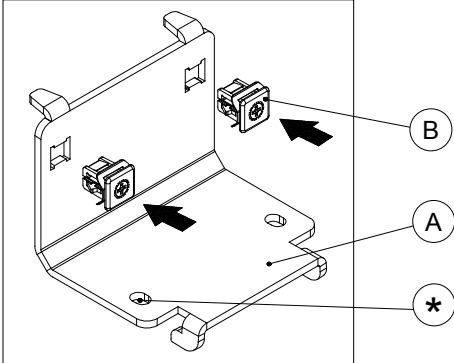




CCM 04

Ref.	Pic.	Qty.
A		4
B		8





MOUNTING

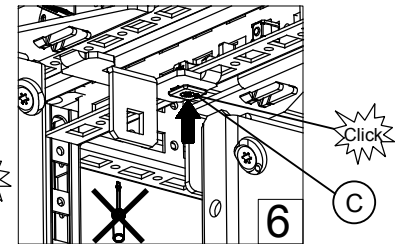
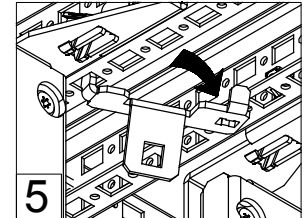
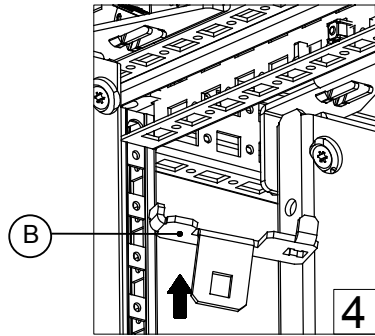
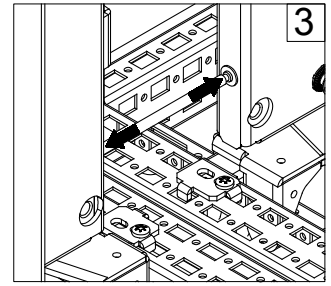
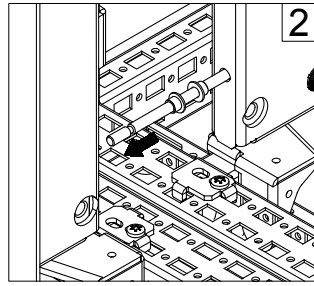
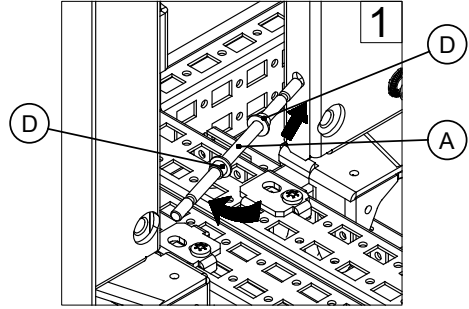
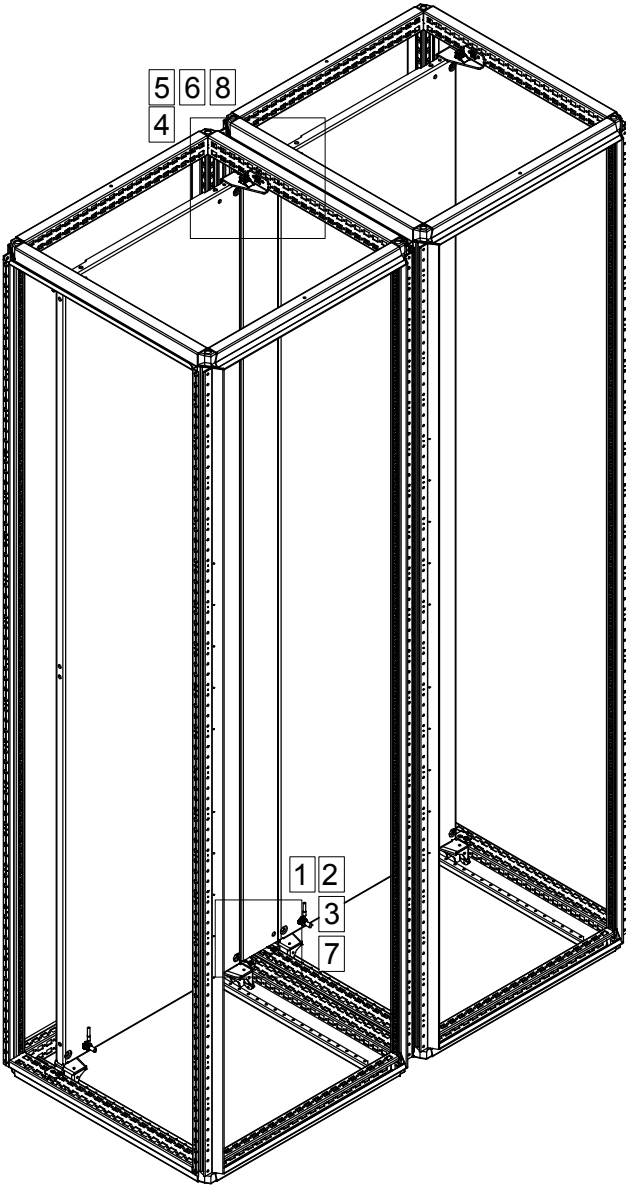


Note: It is mandatory for all four brackets to be installed at all four corners !

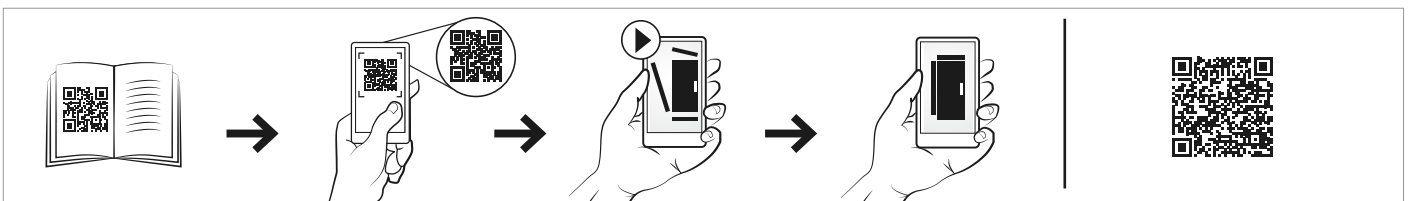
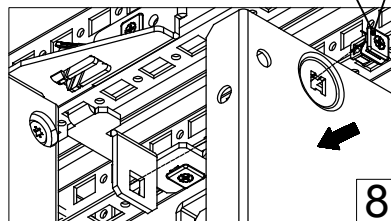
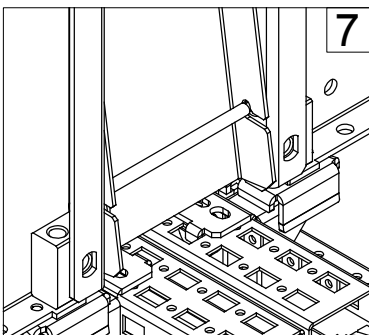
* The fixation holes can be used to better fix the bracket to the frame, using cage nuts and screws !

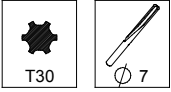
MPF

Ref.	Pic.	Qty.
A		1
B		1
C		2
D		2



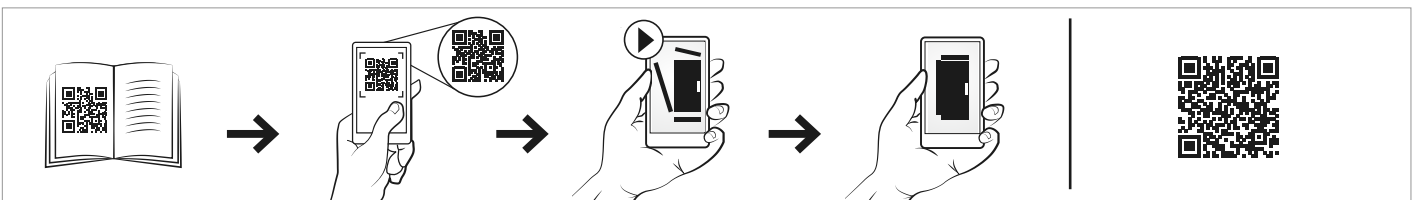
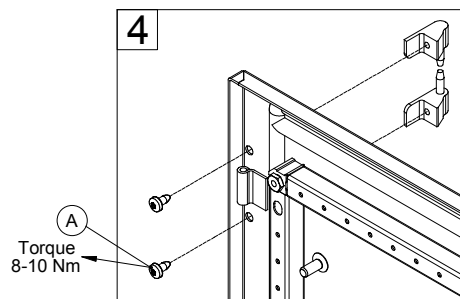
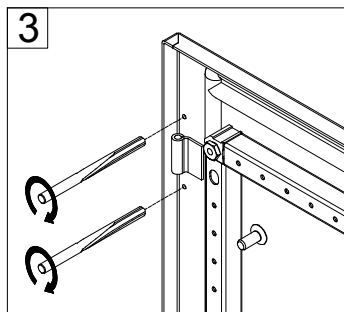
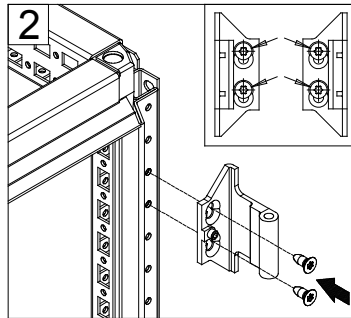
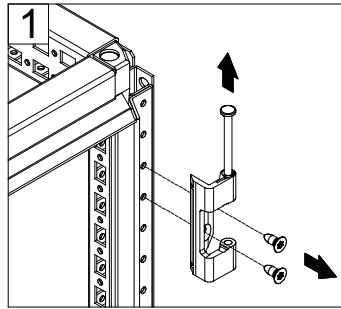
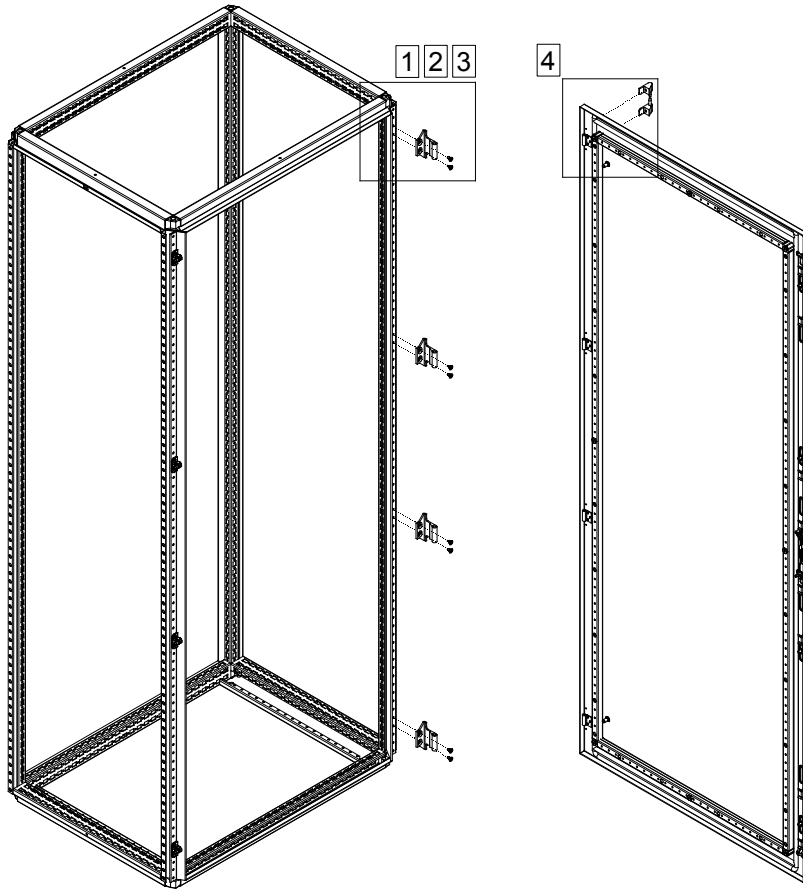
Back view





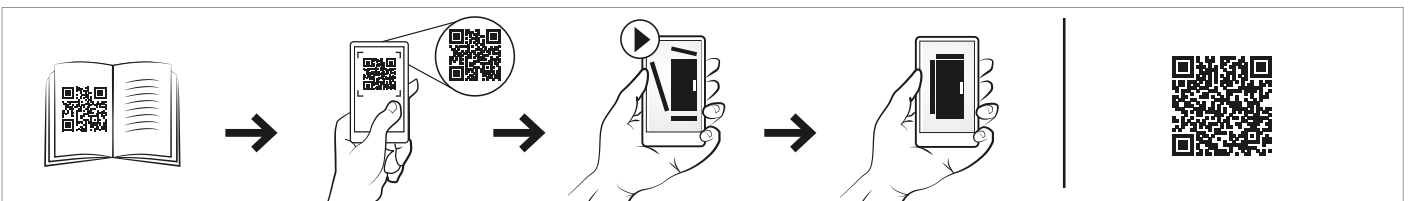
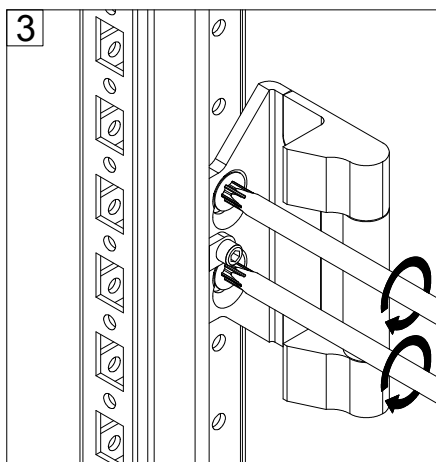
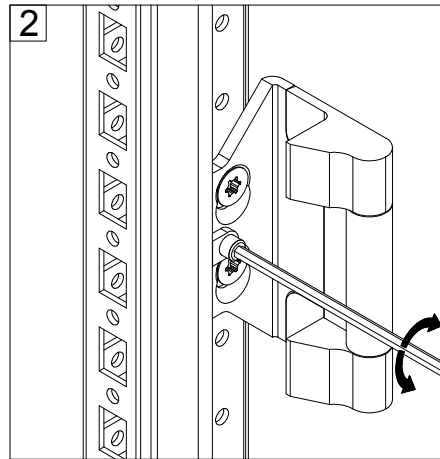
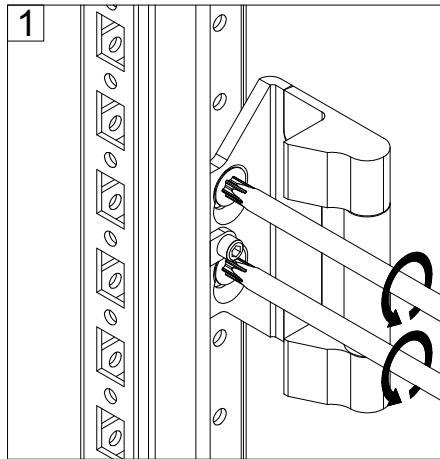
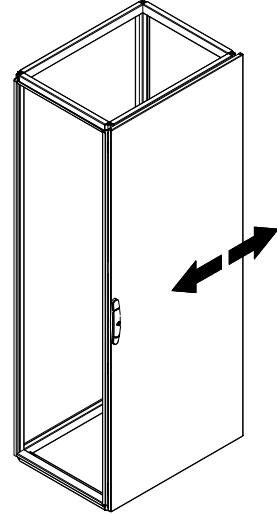
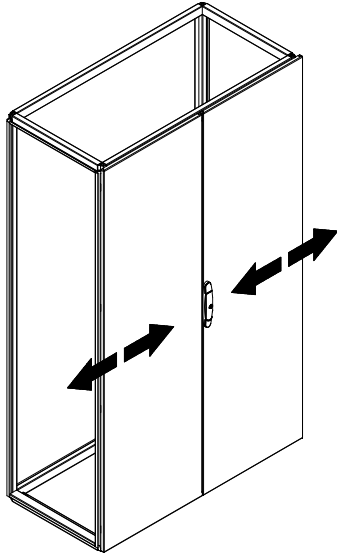
DHN 180

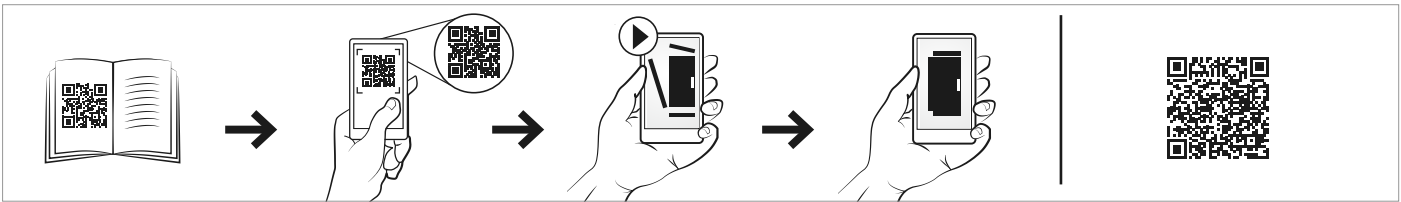
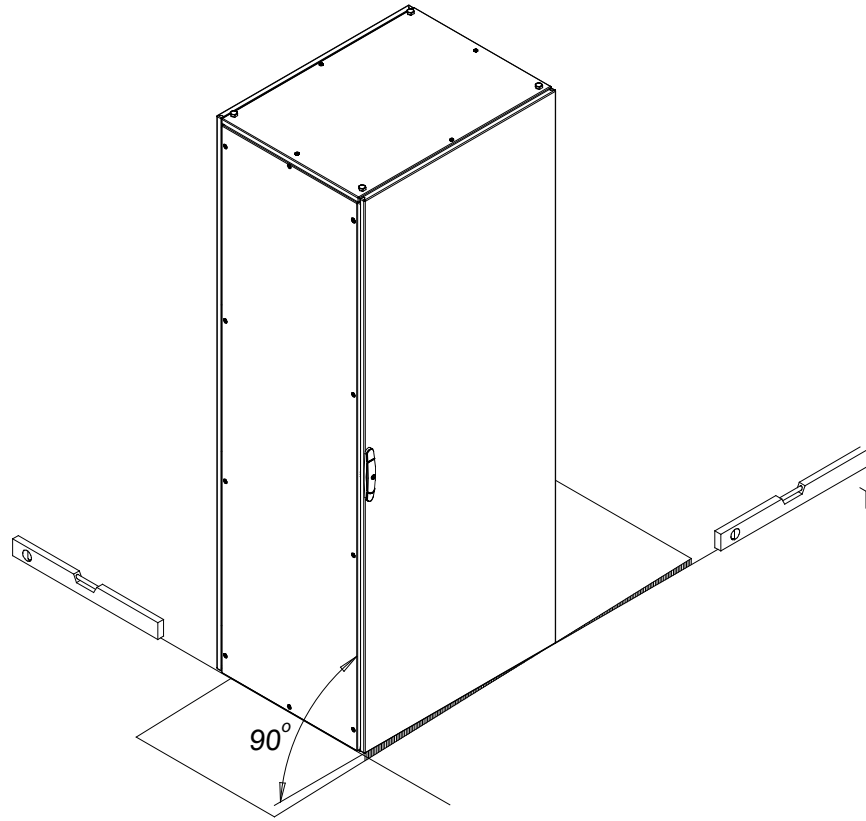
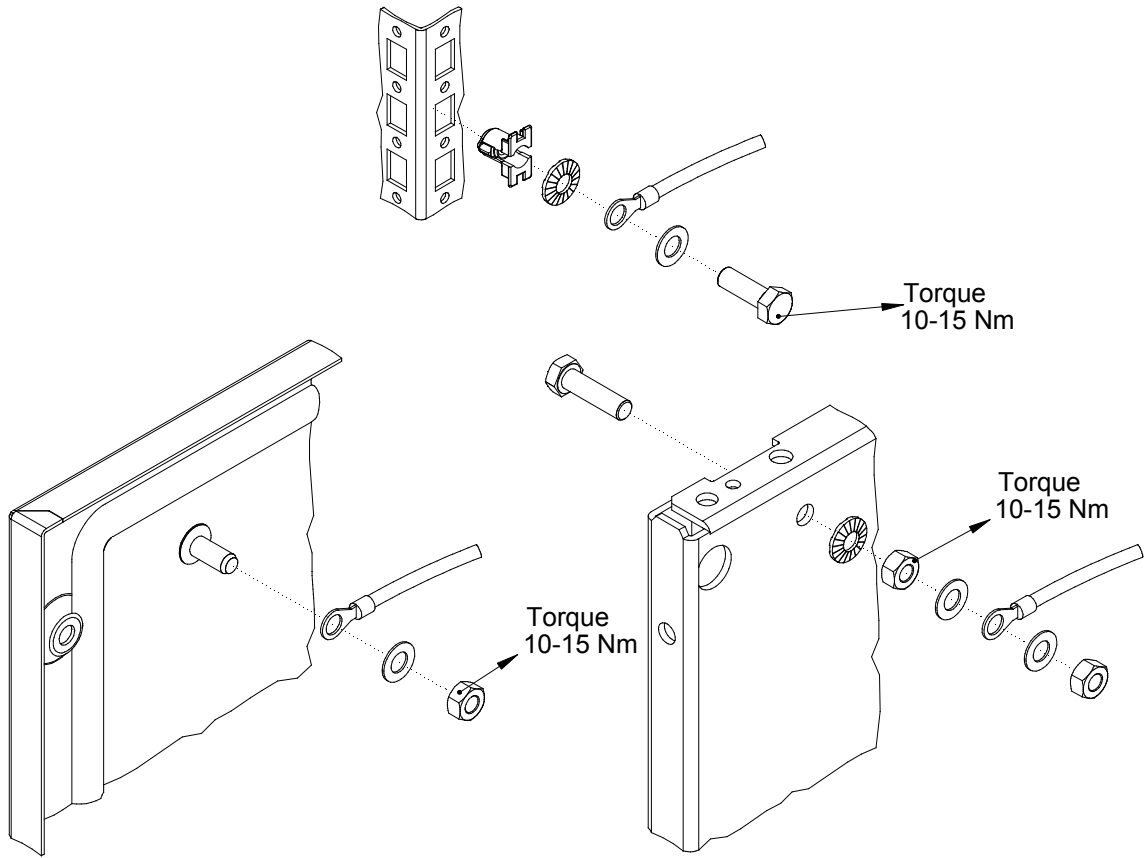
Ref.	Pic.	Qty.
A		8



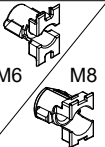


DHN 180 DOOR ADJUSTMENT





CNM

Ref.	Pic.	Qty.
A		1

