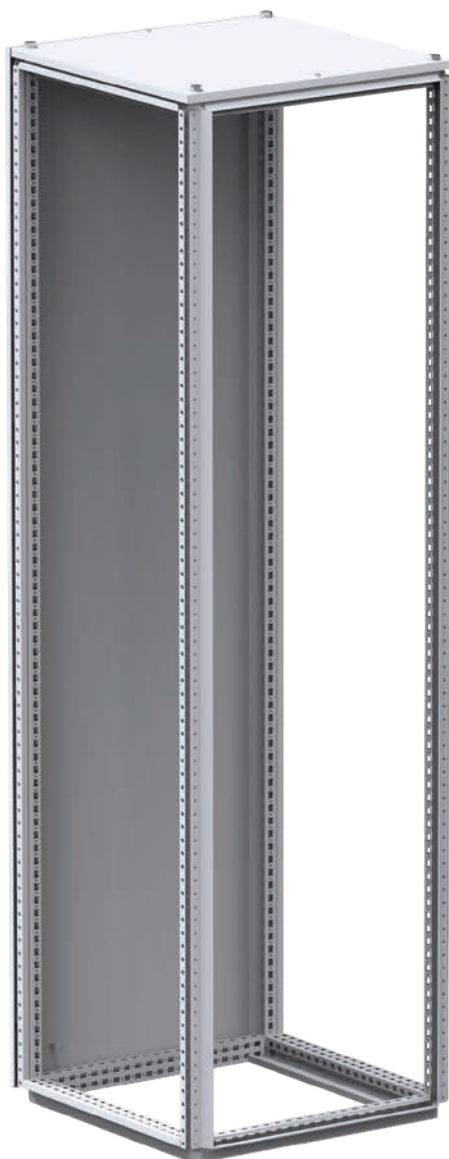
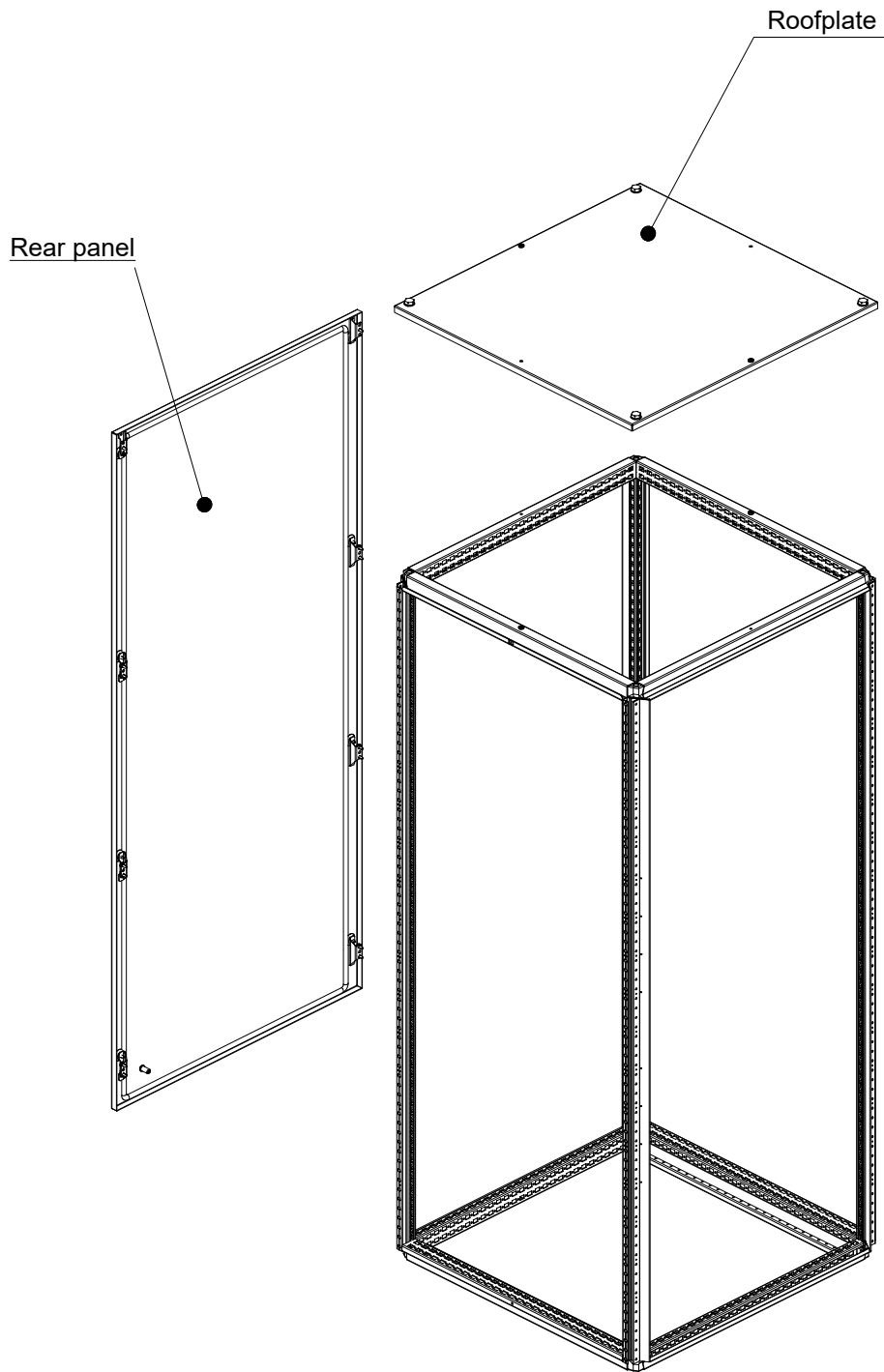


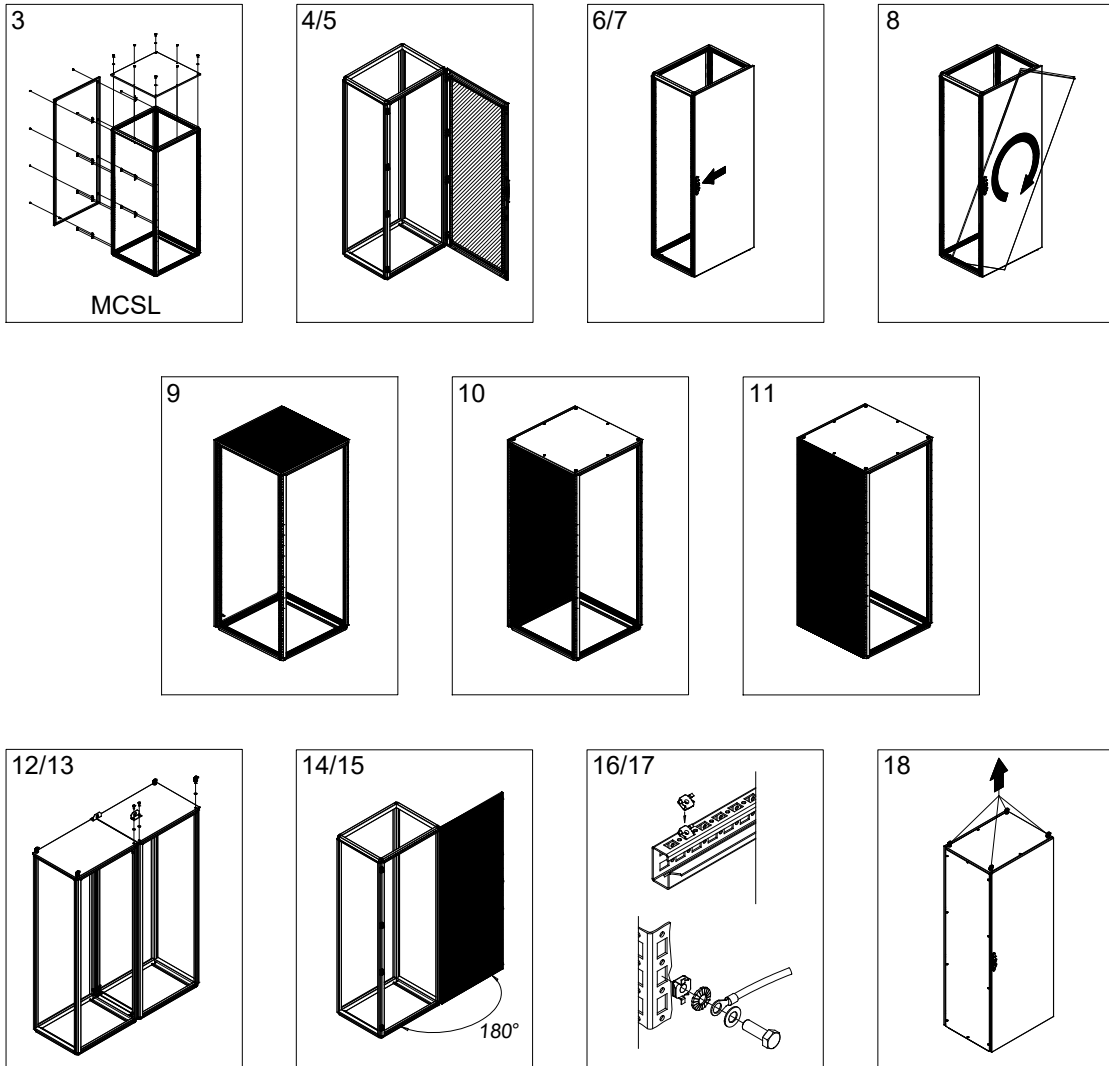
Floor standing enclosures

Mild steel combinable MCSL

MOUNTING INSTRUCTIONS
7697-0502-30 REV.2



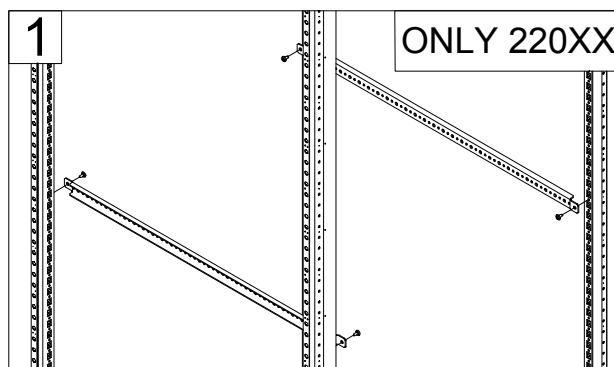
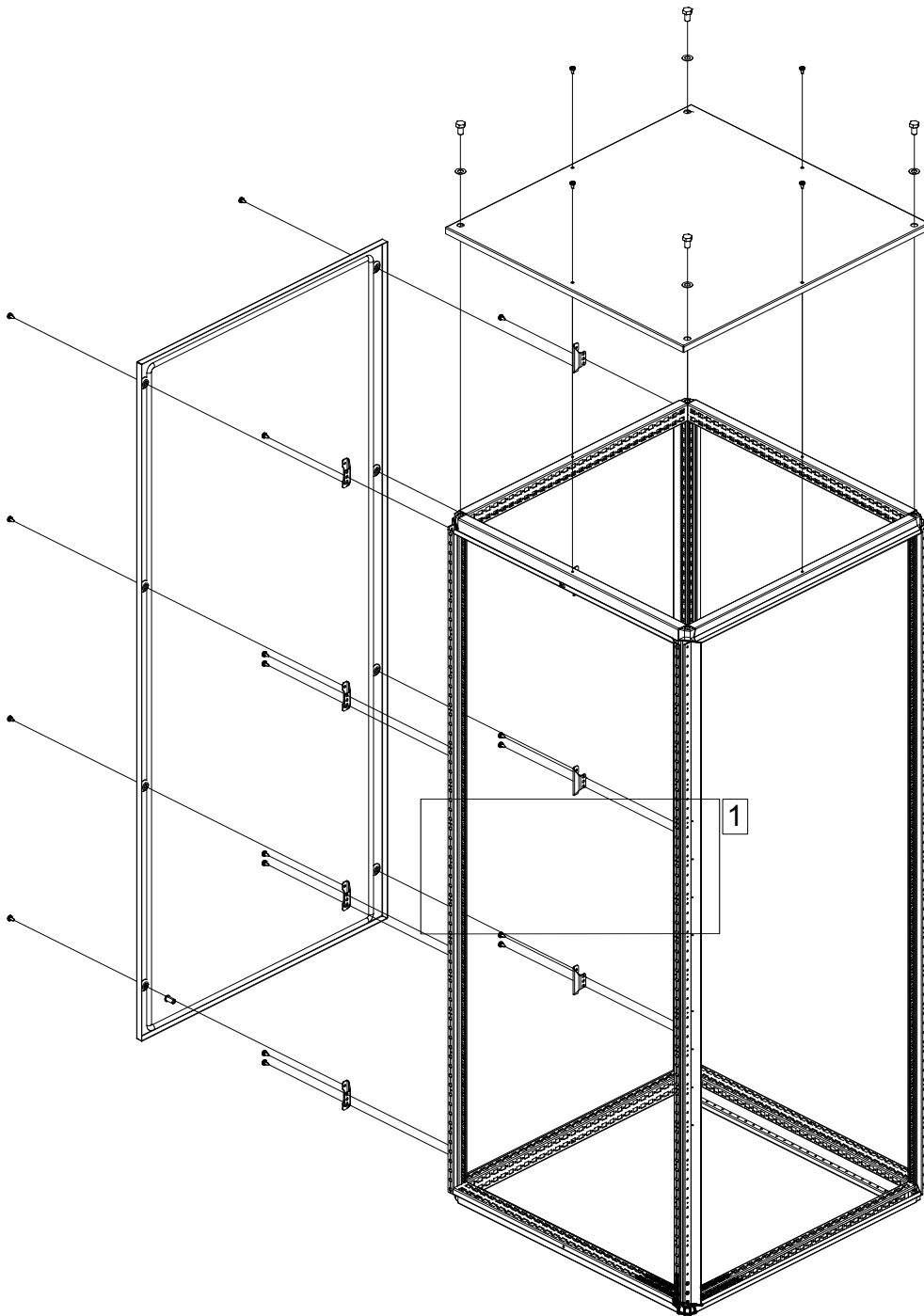




WARNING: When mounting on or over a combustible surface, a floor plate of at least 1.43 mm galvanized or 1.6 mm uncoated steel extended at least 150 mm beyond the equipment on all sides must be installed.

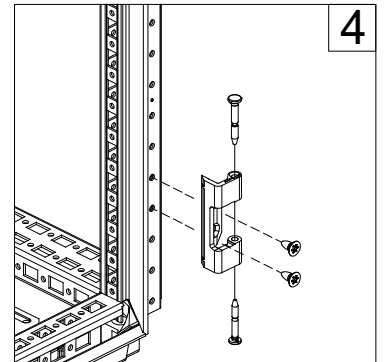
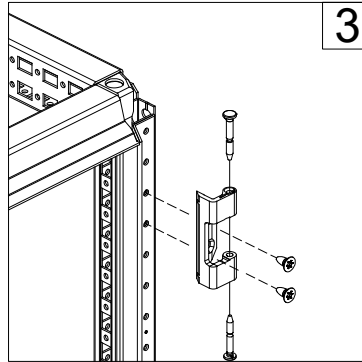
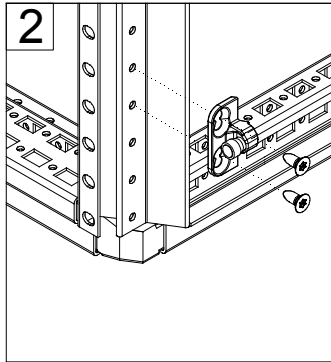
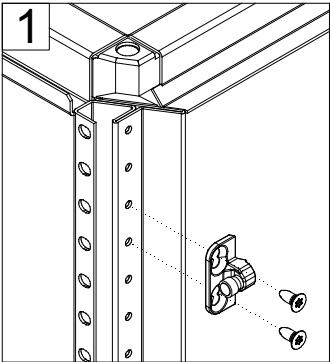
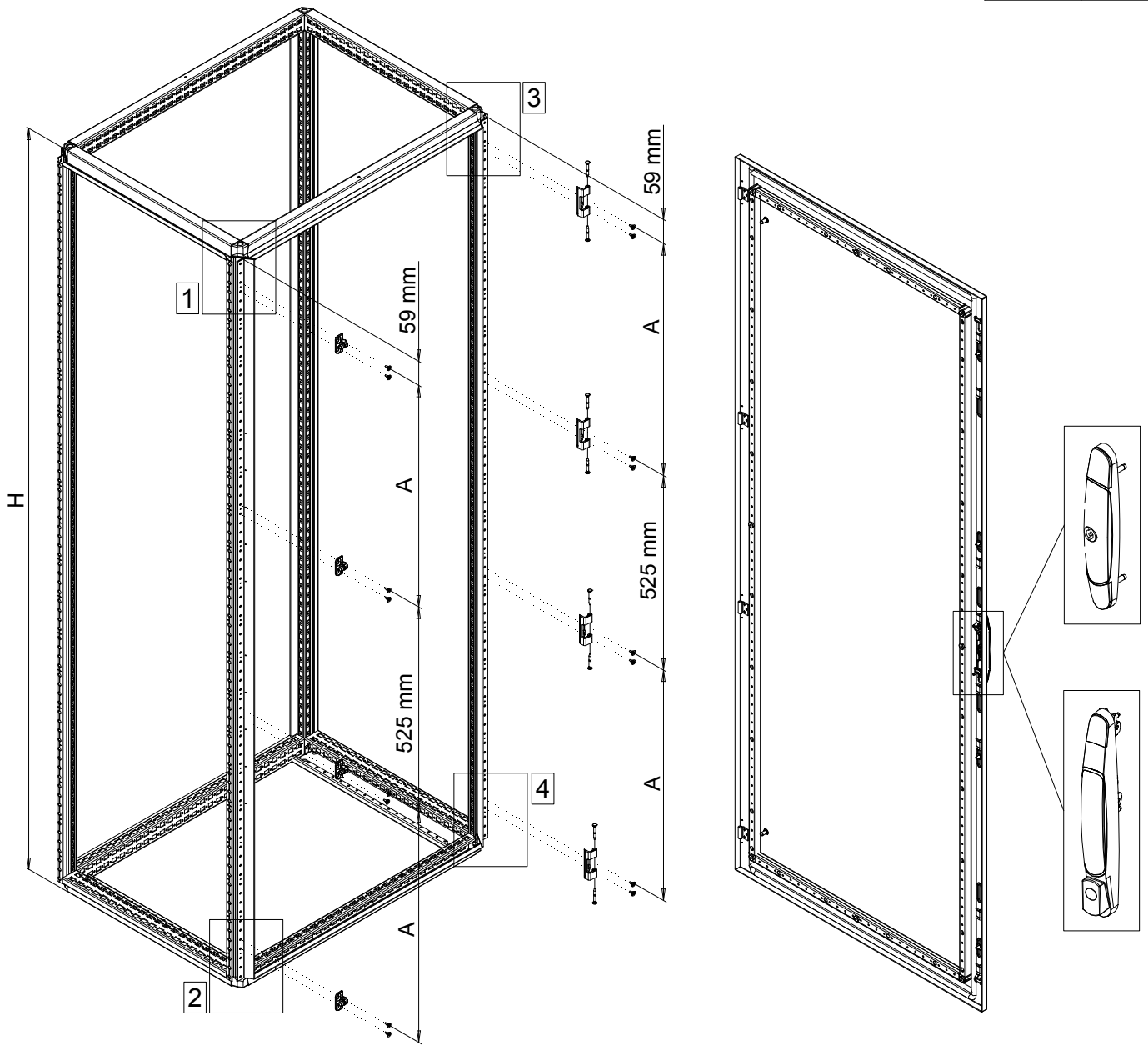
WARNING: In order to maintain the environmental integrity of the enclosure, devices with the same environmental ratings shall be used to close openings in customized enclosure.

MCSL



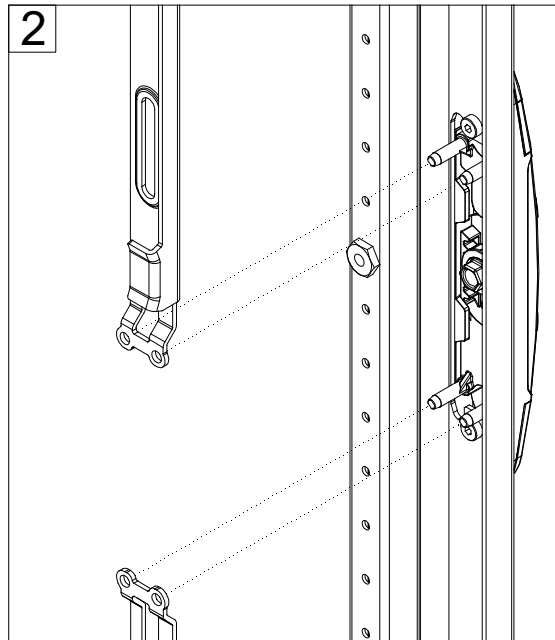
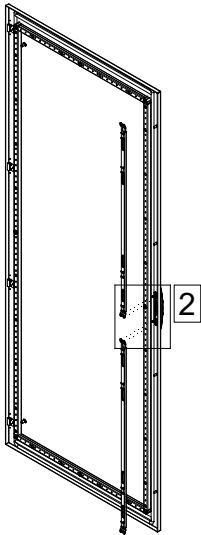
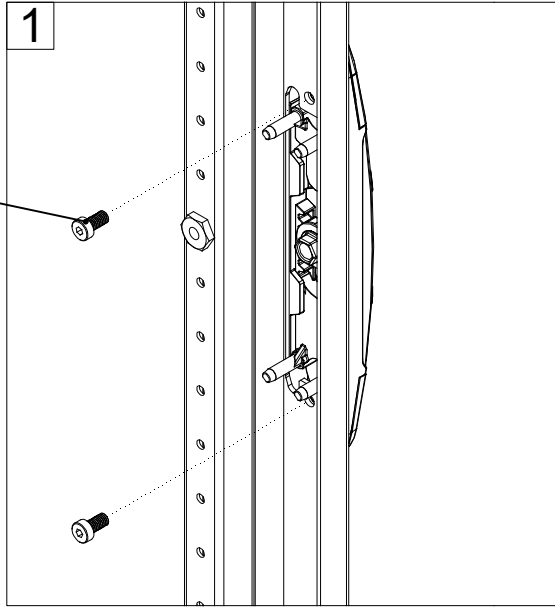
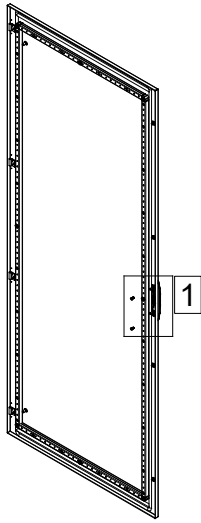
COMBINABLE ENCLOSURE

H	A
1800	525
2000	625
2200	725

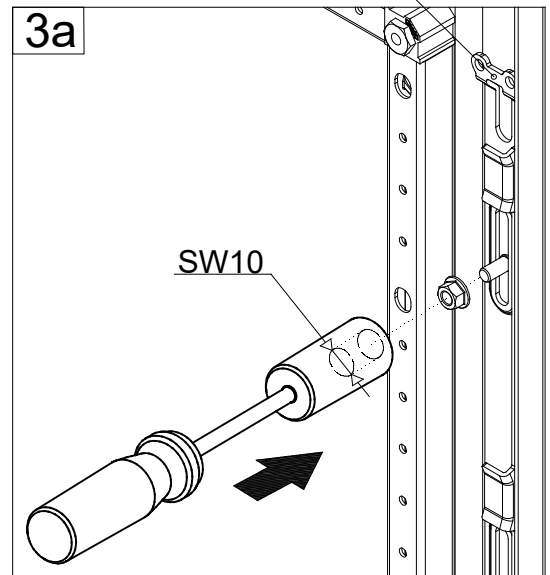
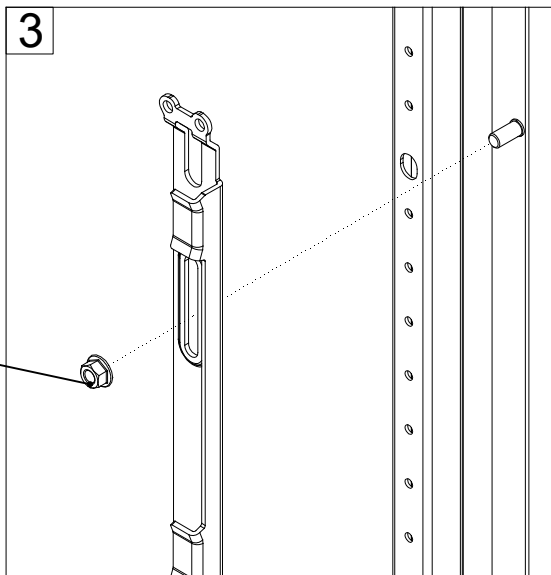
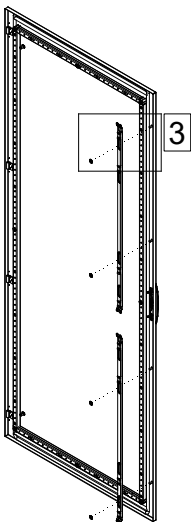




Ref.	Pic.	
A	M5x10	2
B	M5	4



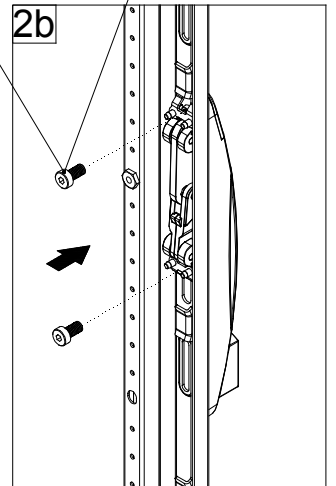
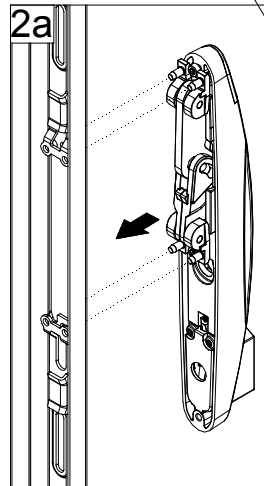
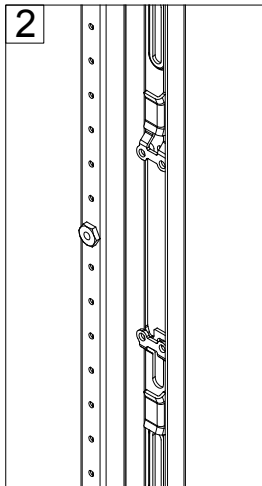
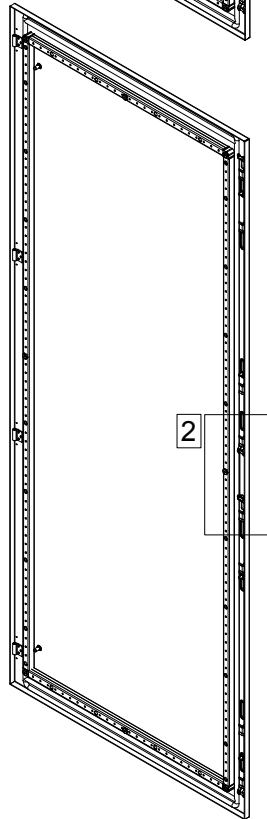
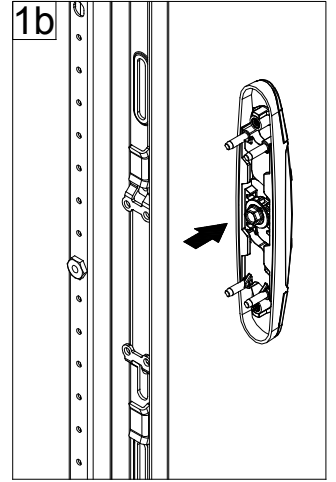
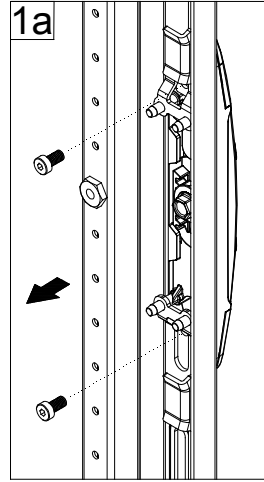
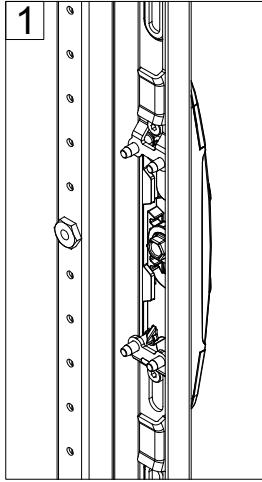
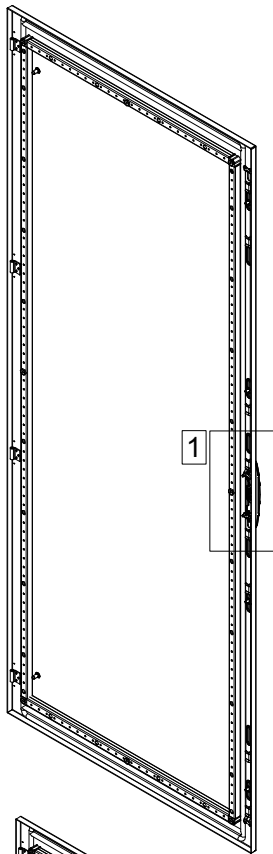
Metal Guider



MOUNTING THE LIFT HANDLE



SW3

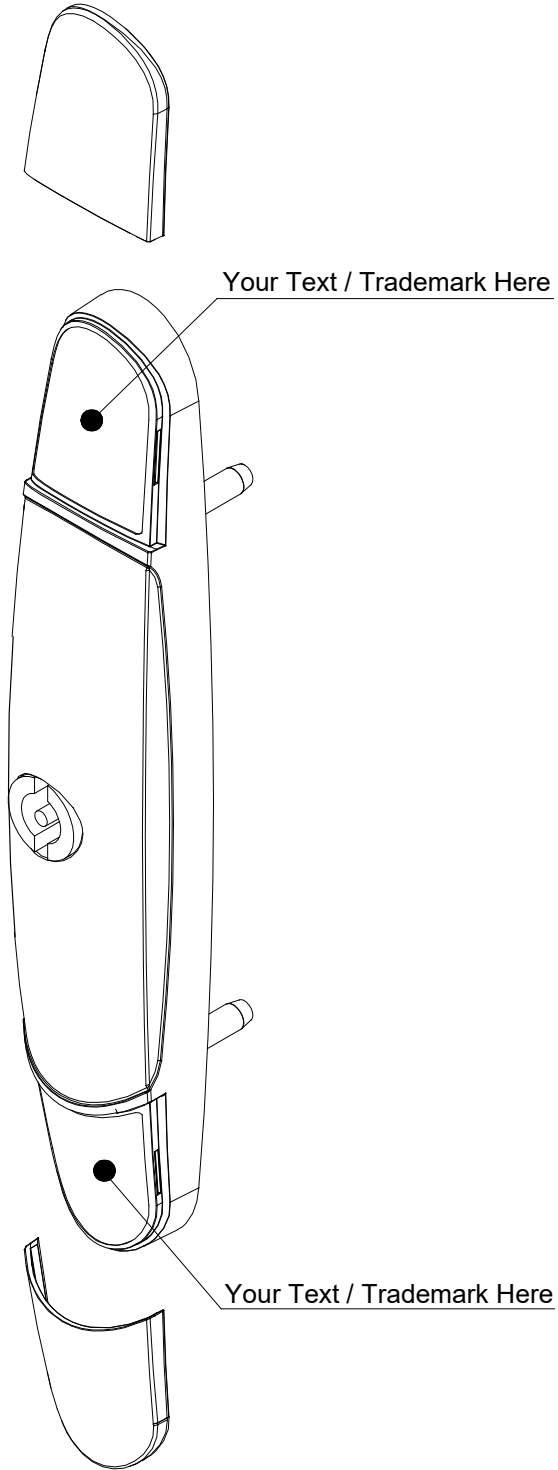


Torque
4-5.5 Nm

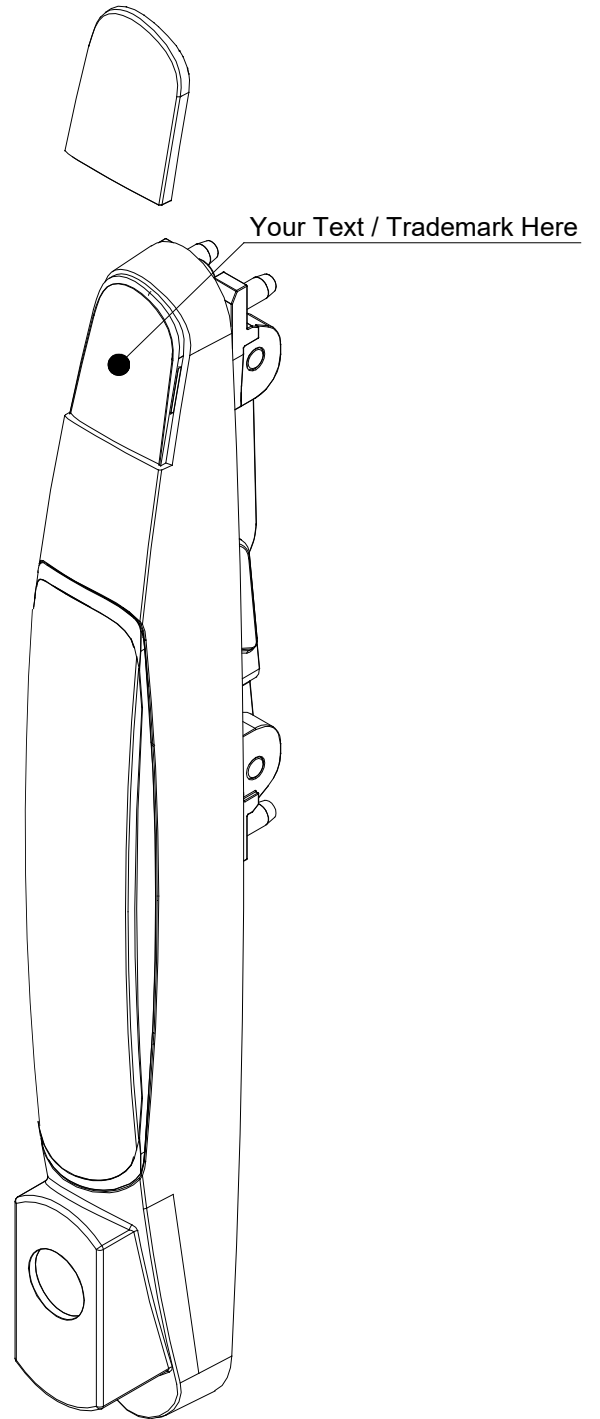
A

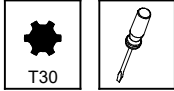


Standard Locking System

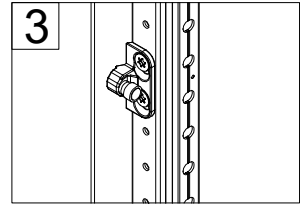
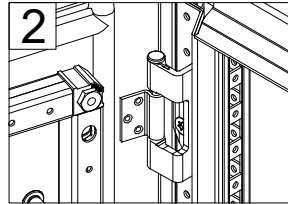
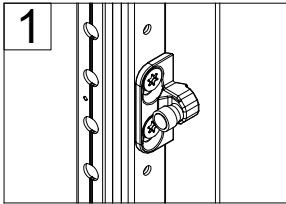
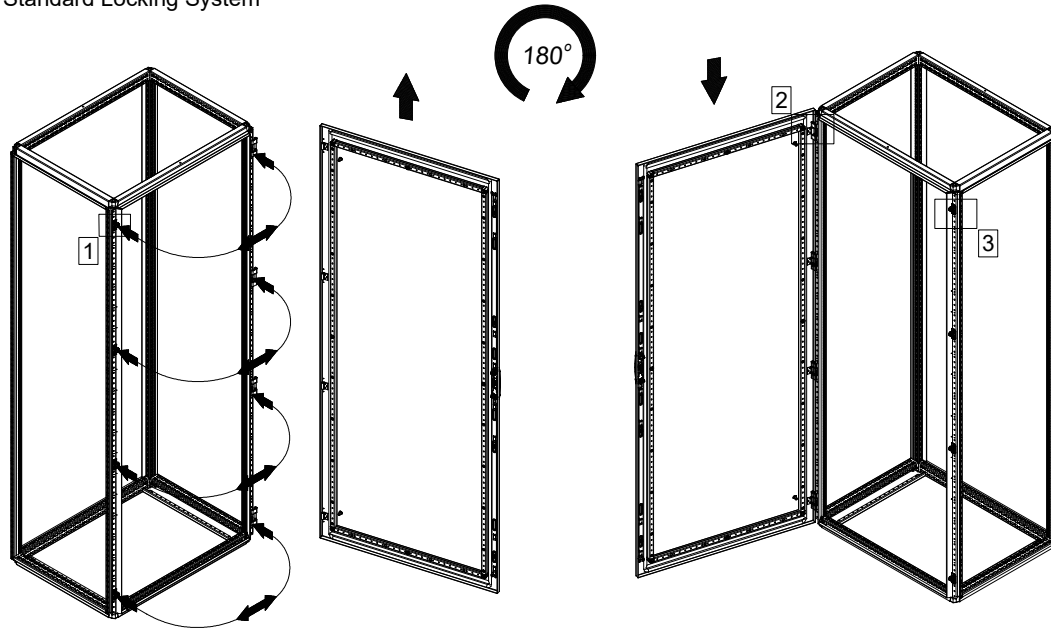
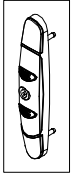


Lift Handle Locking System

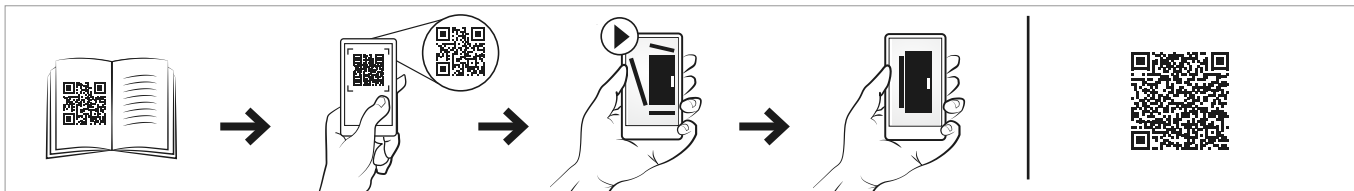
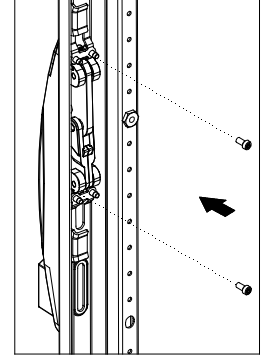
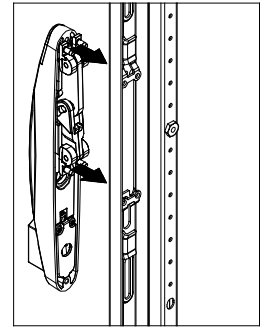
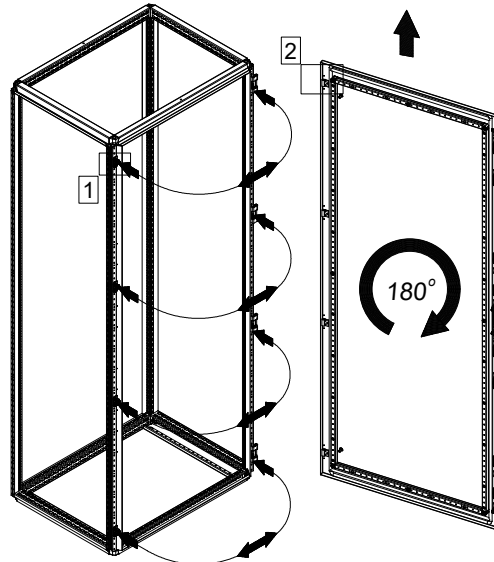
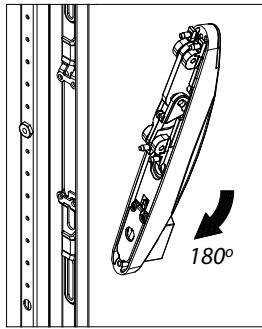
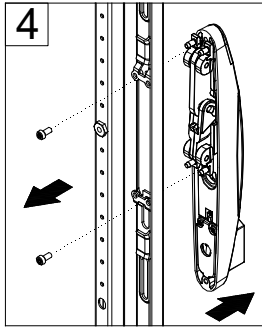
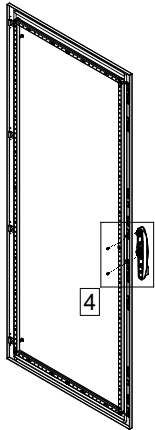
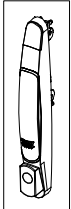




Standard Locking System



Lift Handle Locking System





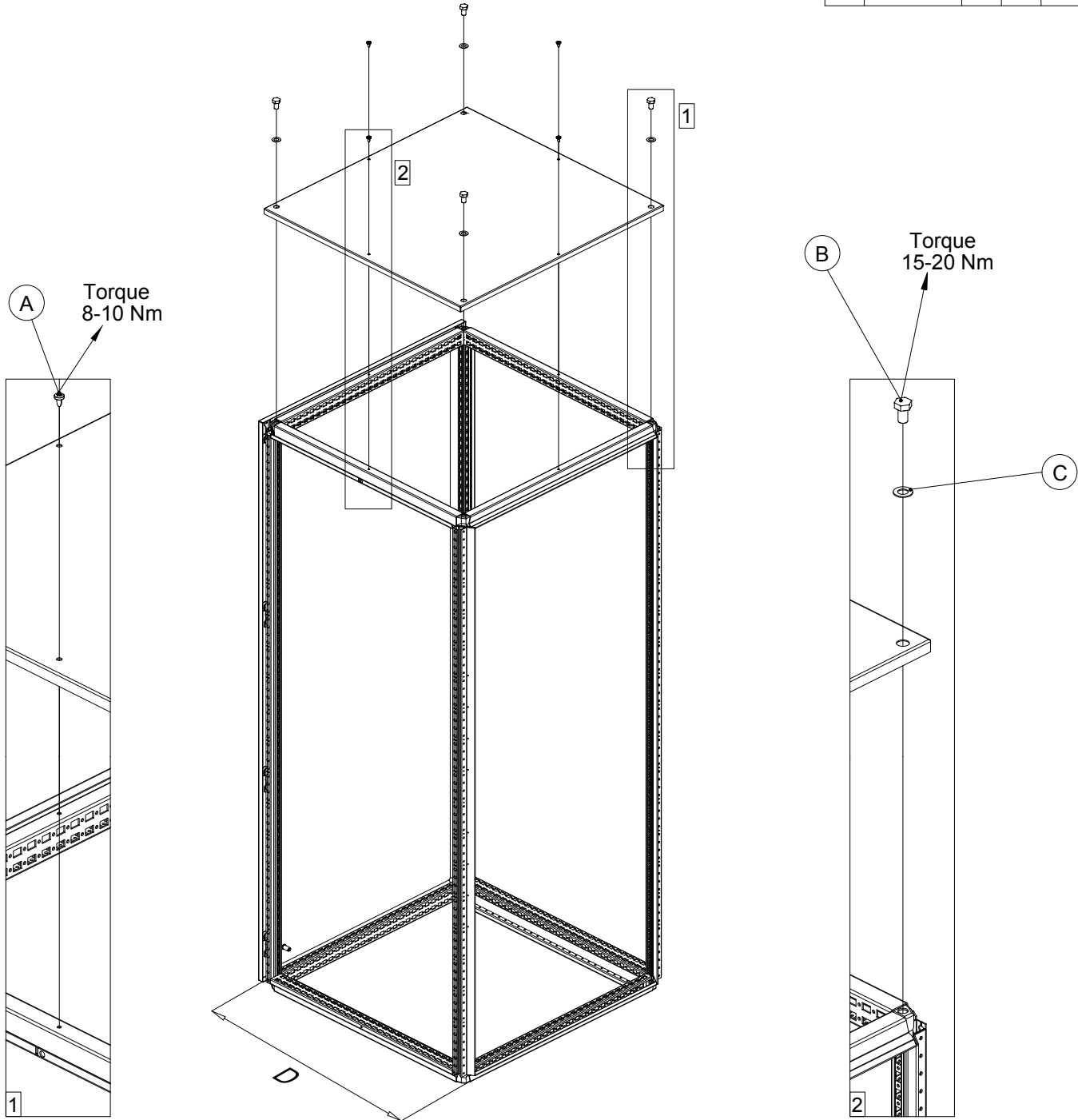
T30



SW19

ROOF PANEL

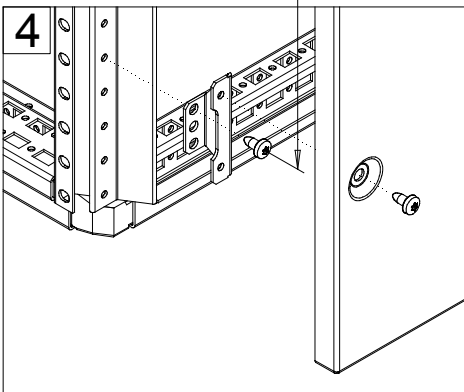
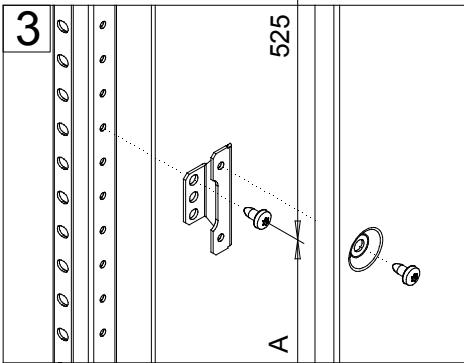
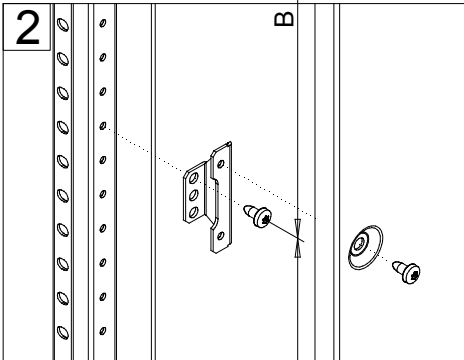
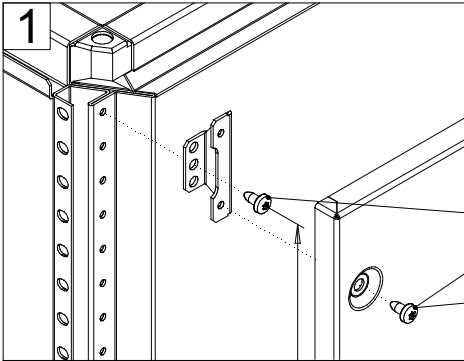
Ref.	Pic.	D (mm)	<800	≥800
A	M6x12		2	4
B	M12x20		4	4
C	M12		4	4



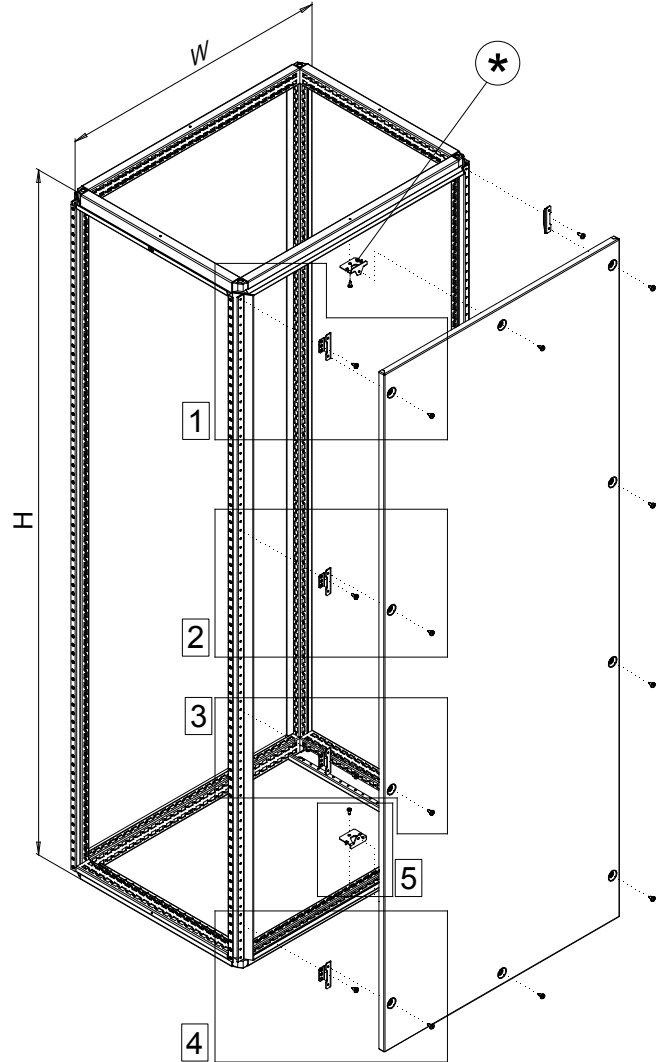
MCSL BACK PANEL



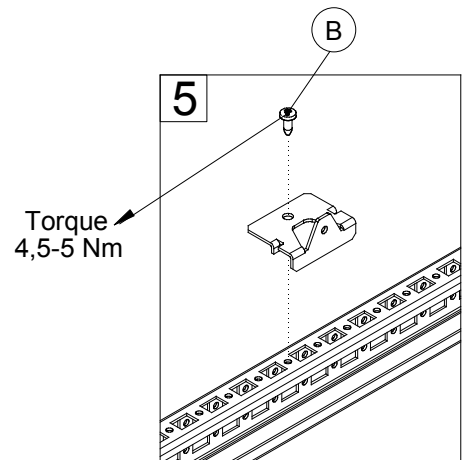
Ref.	Pic.	W (mm)	<1000	≥1000
A		M5x10	-	2
B		M6x12	16	18



B
Torque
8-10 Nm



H	A	B
1800	525	575
2000	625	675
2200	725	775

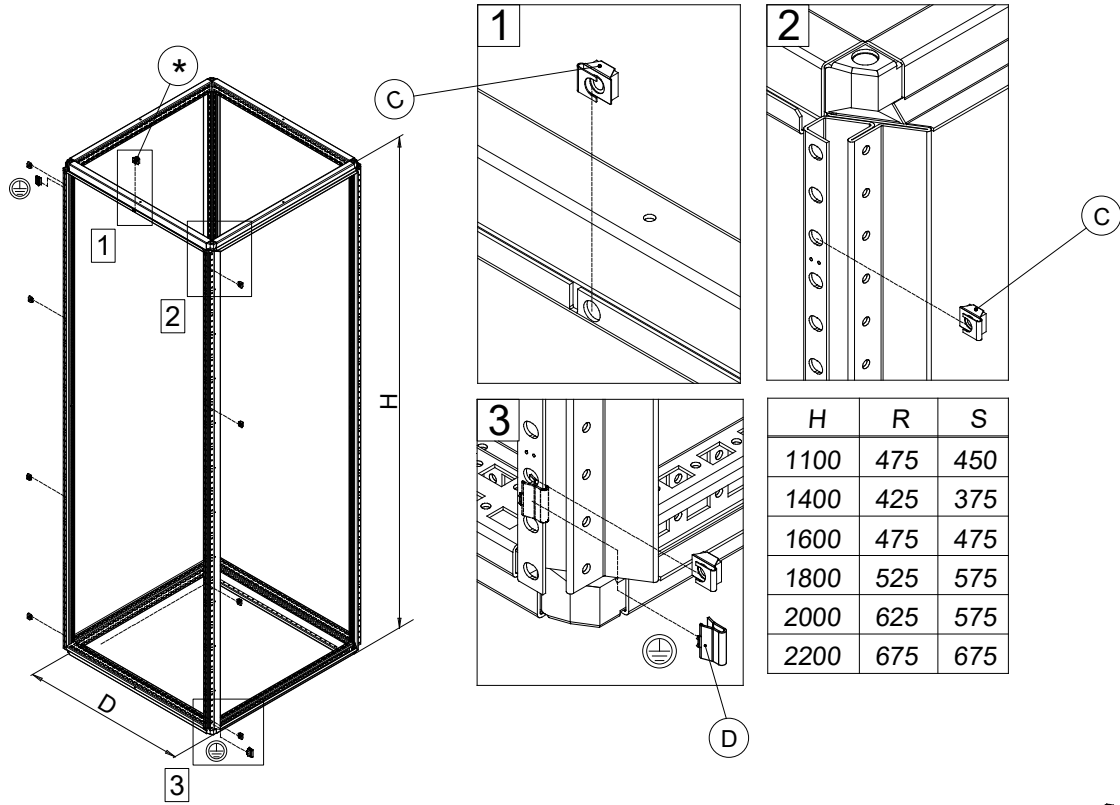


* - Used on enclosures 1000mm wide and above.

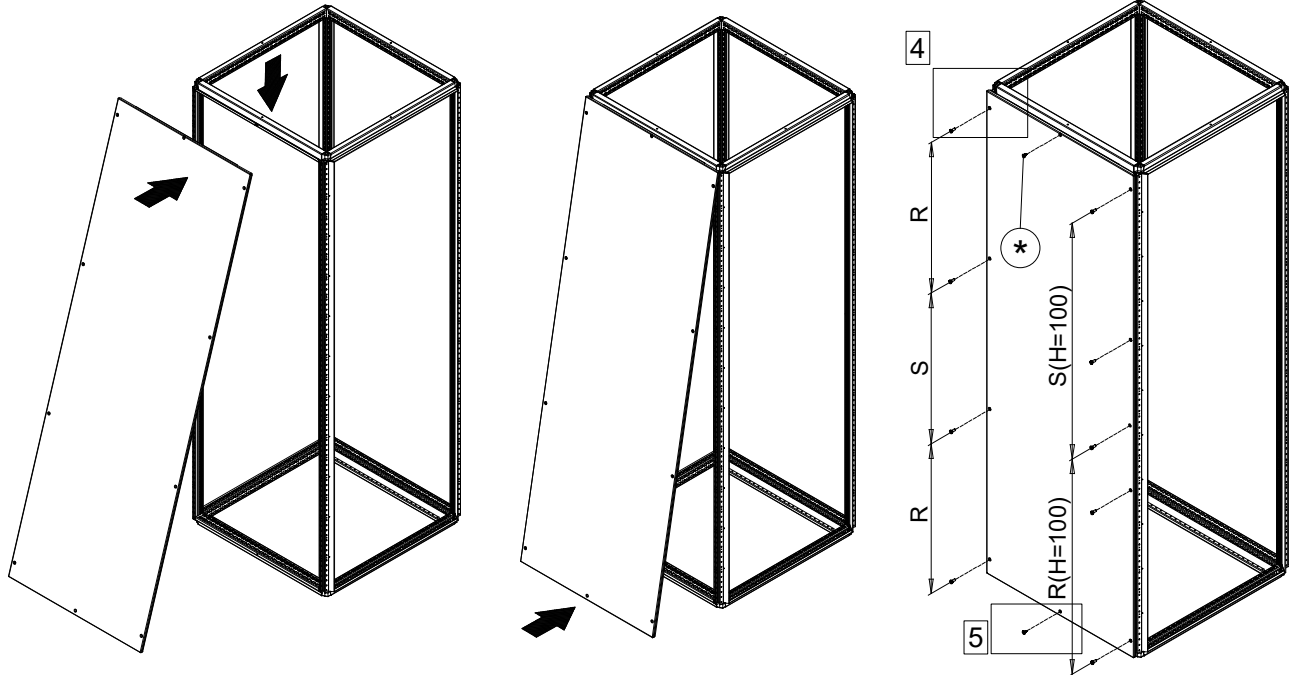


SPM

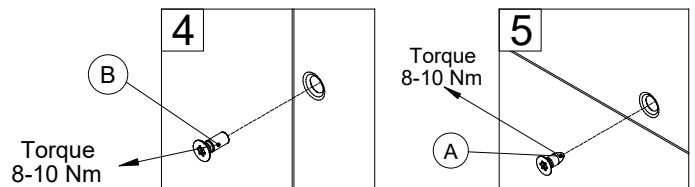
Ref.	Pic.	Qty.
A		0/1
B		6/8/9
C		6/8/9
D		2



H	R	S
1100	475	450
1400	425	375
1600	475	475
1800	525	575
2000	625	575
2200	675	675

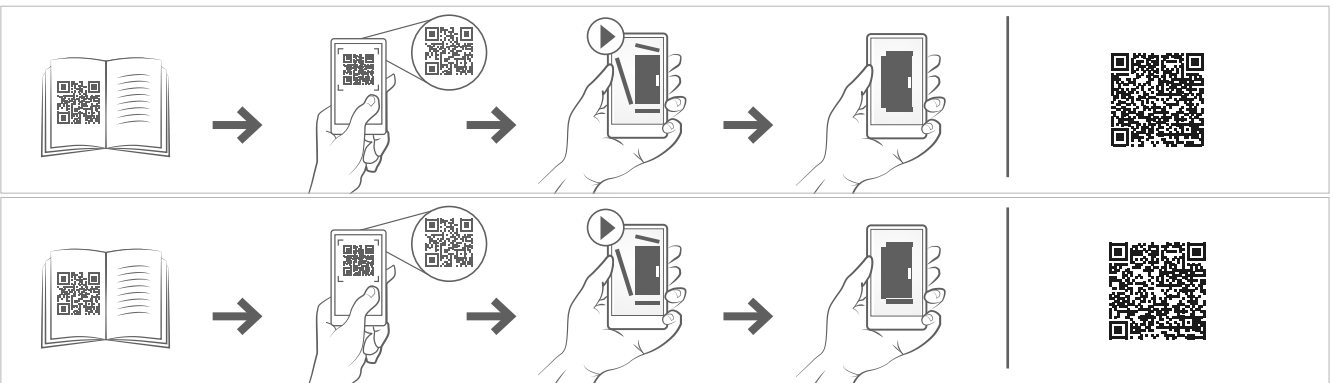
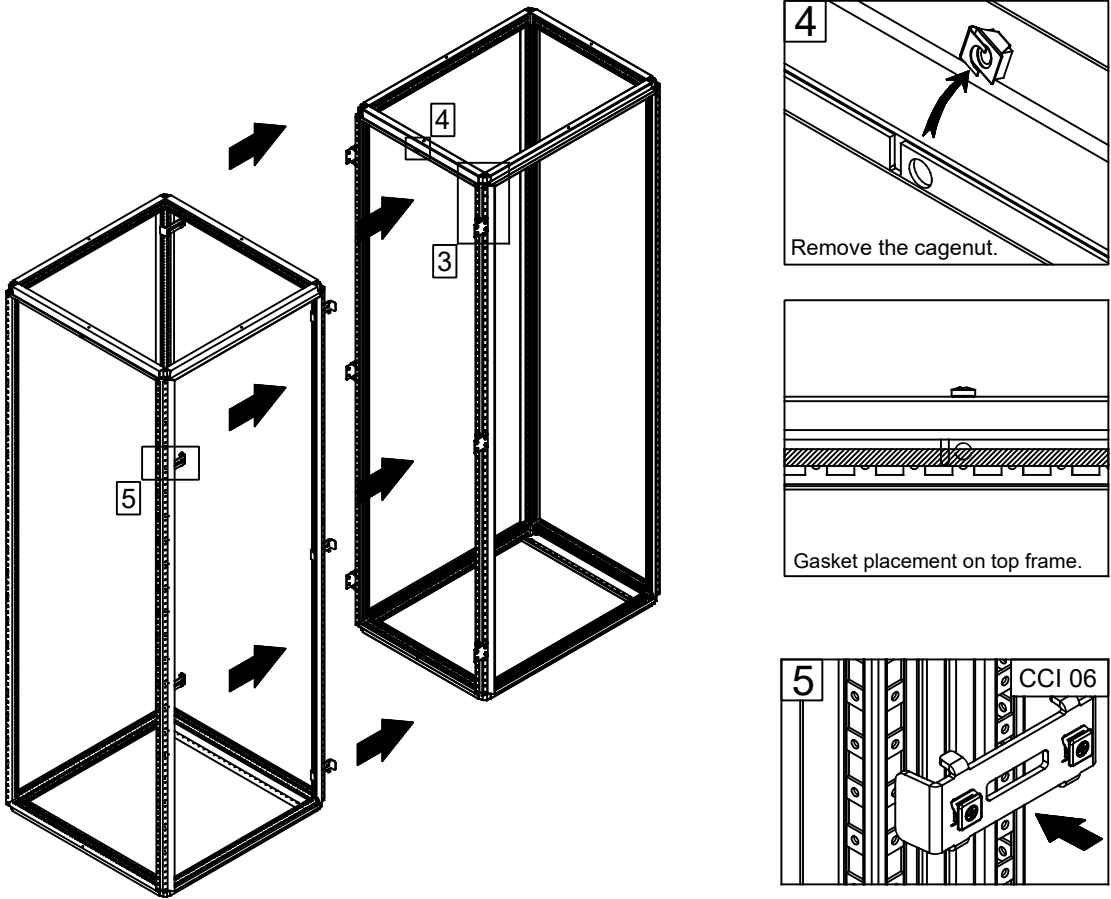
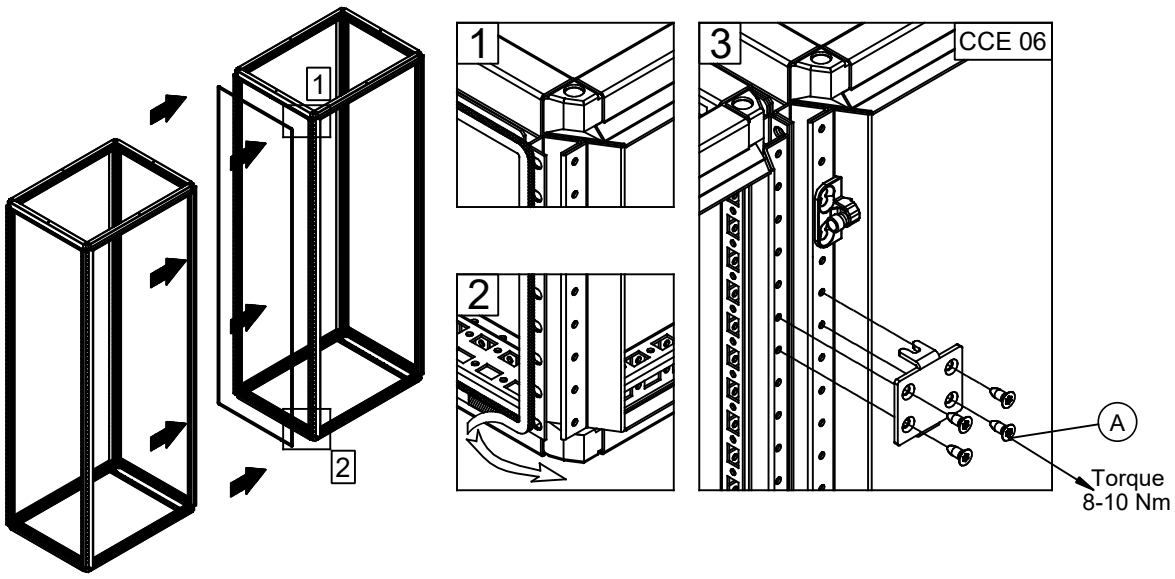


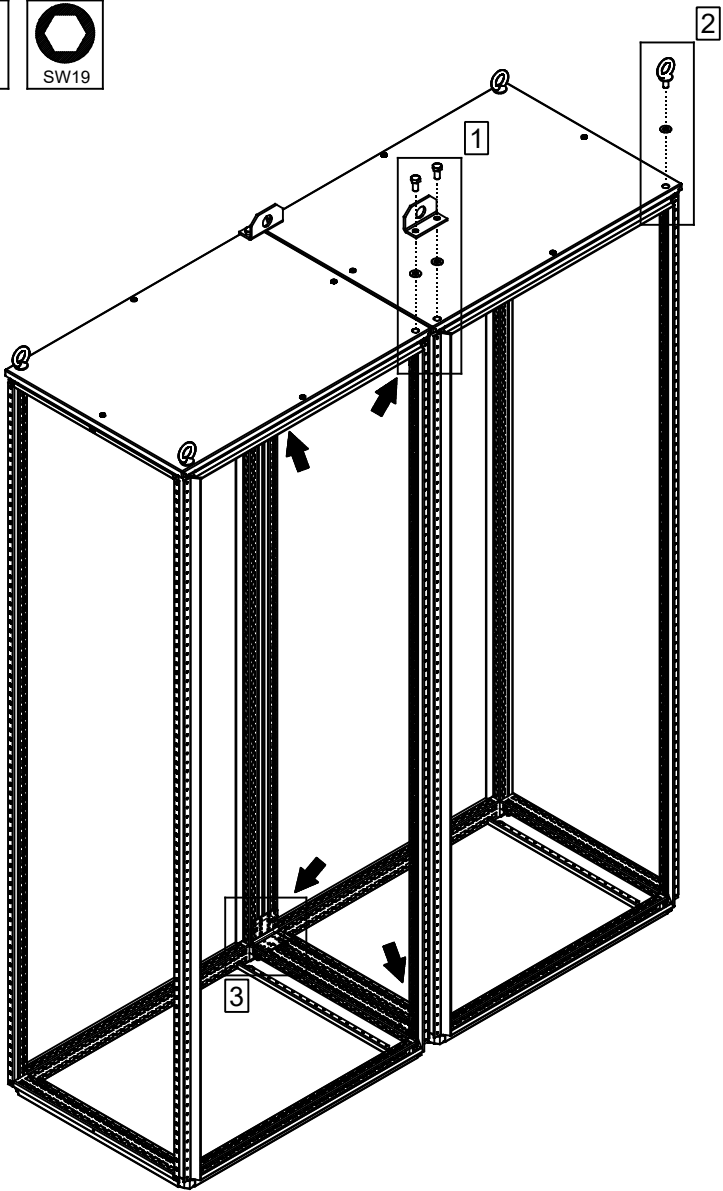
* - Used only on enclosures 800mm deep and above.



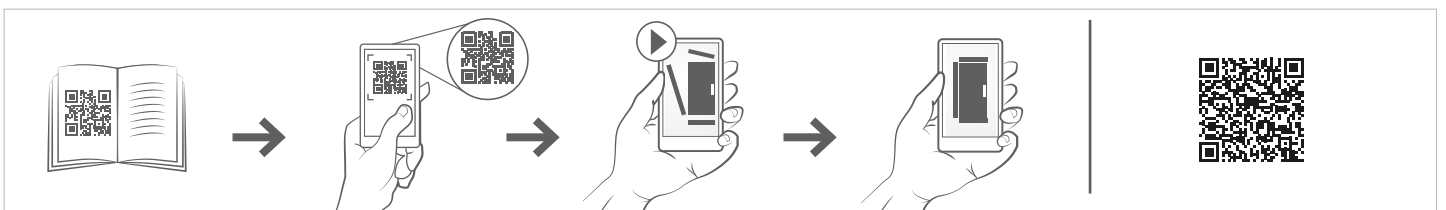
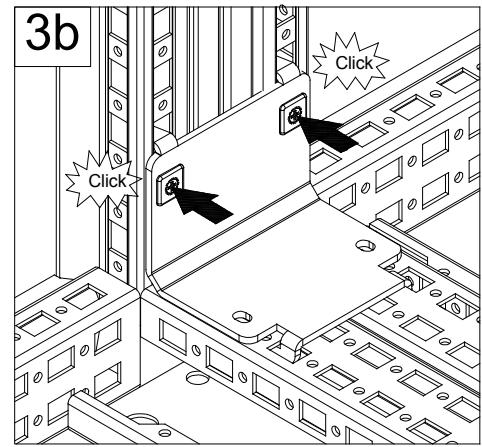
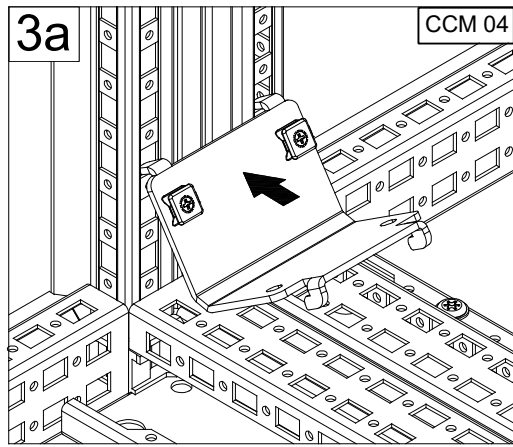
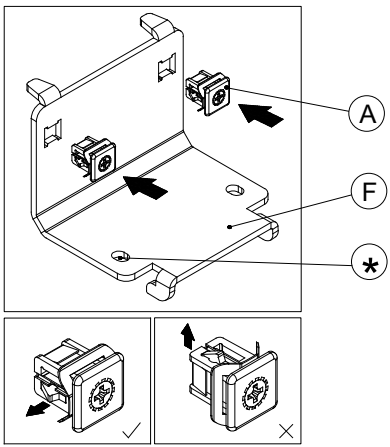
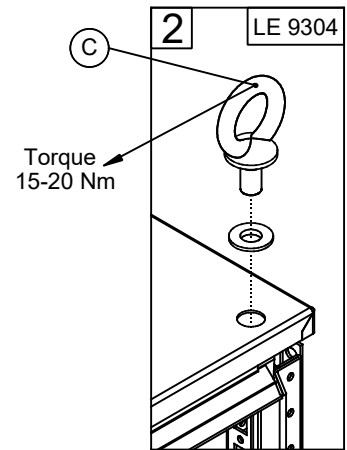
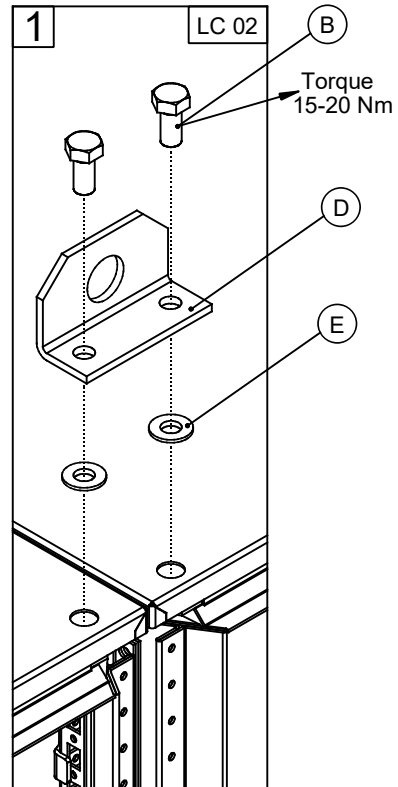


Ref.	Pic.	Qty.
A		8
B		6
C		12
D		6




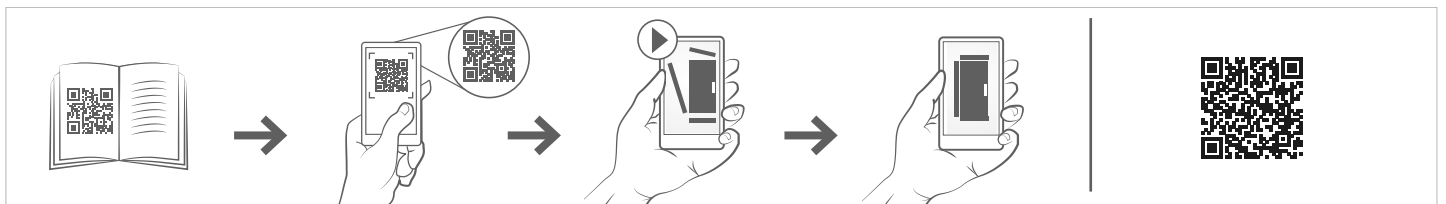
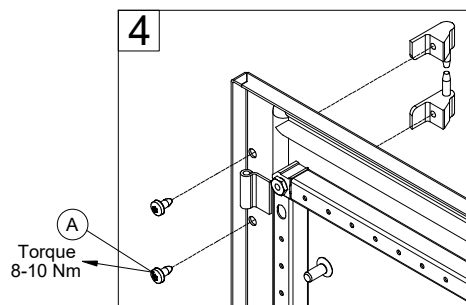
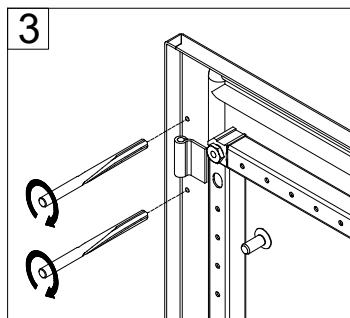
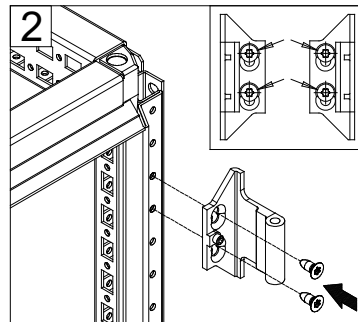
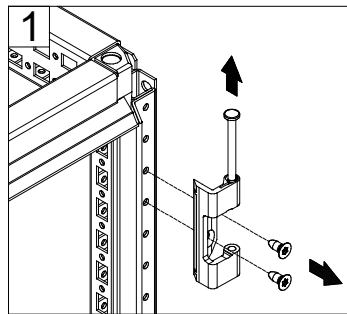
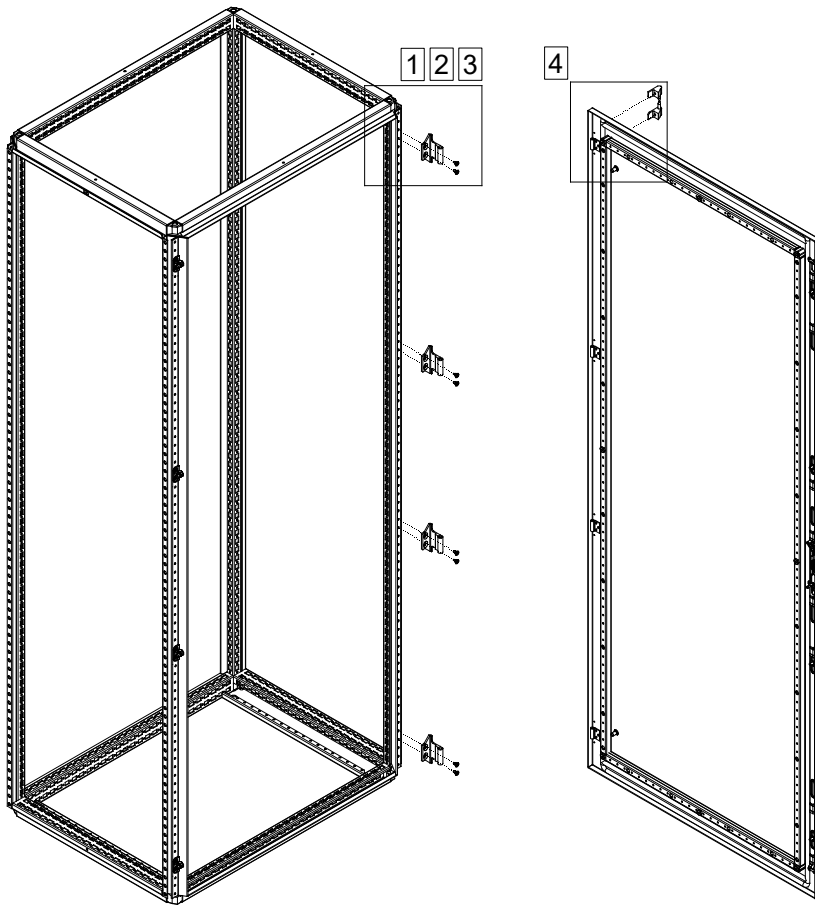
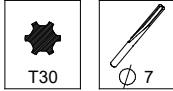


Ref.	Pic.	Qty.
A		8
B		4
C		4
D		2
E		4
F		4



DHN 180

Ref.	Pic.	Qty.
A	 M6x12	8



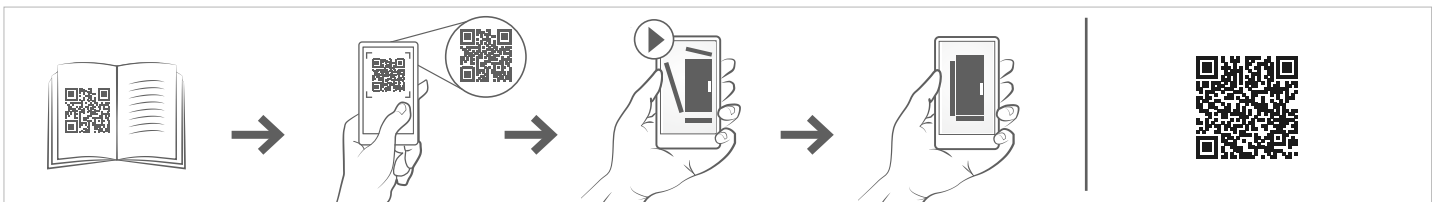
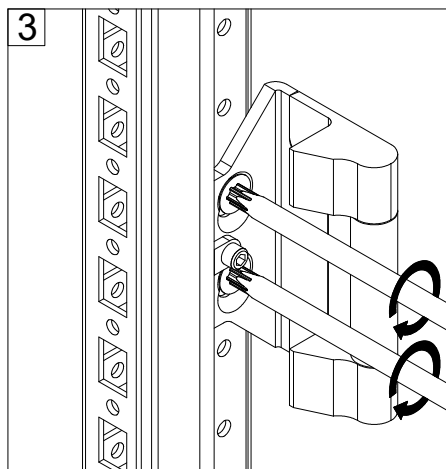
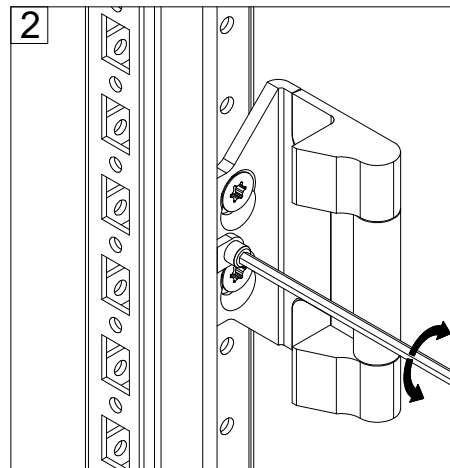
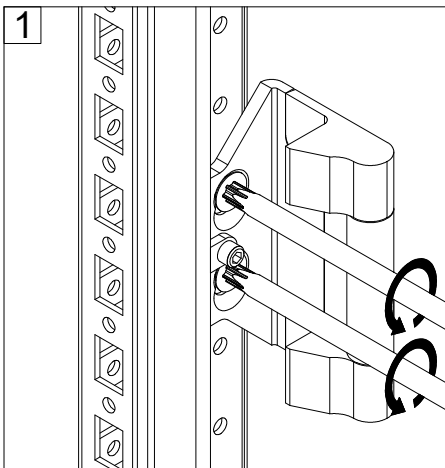
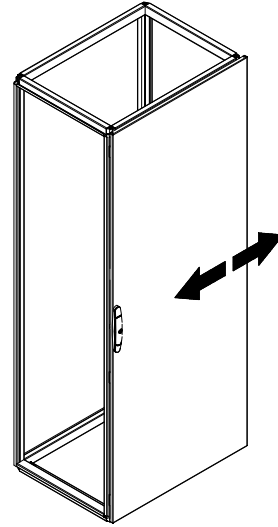
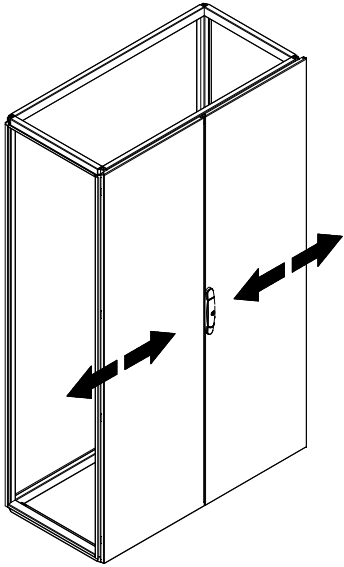


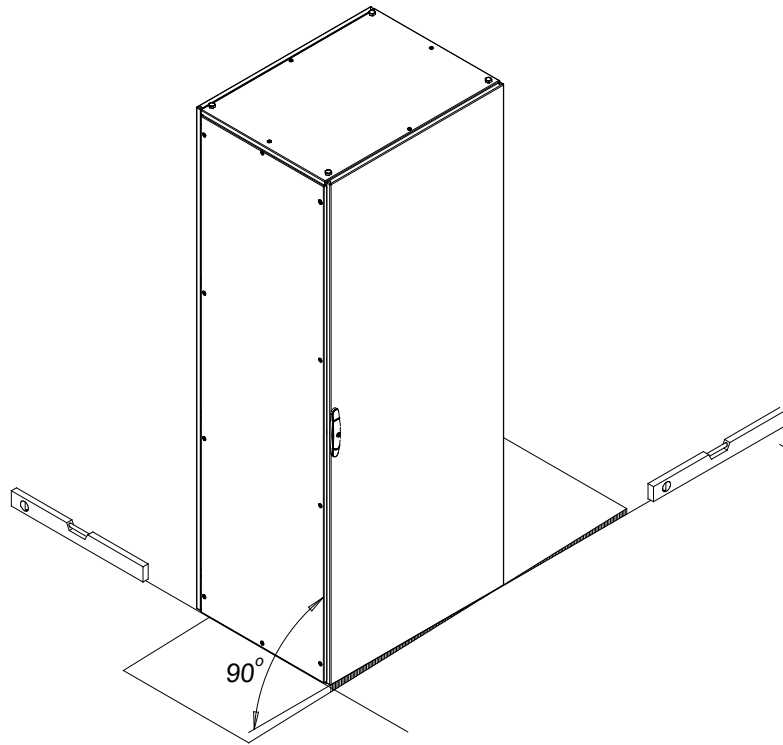
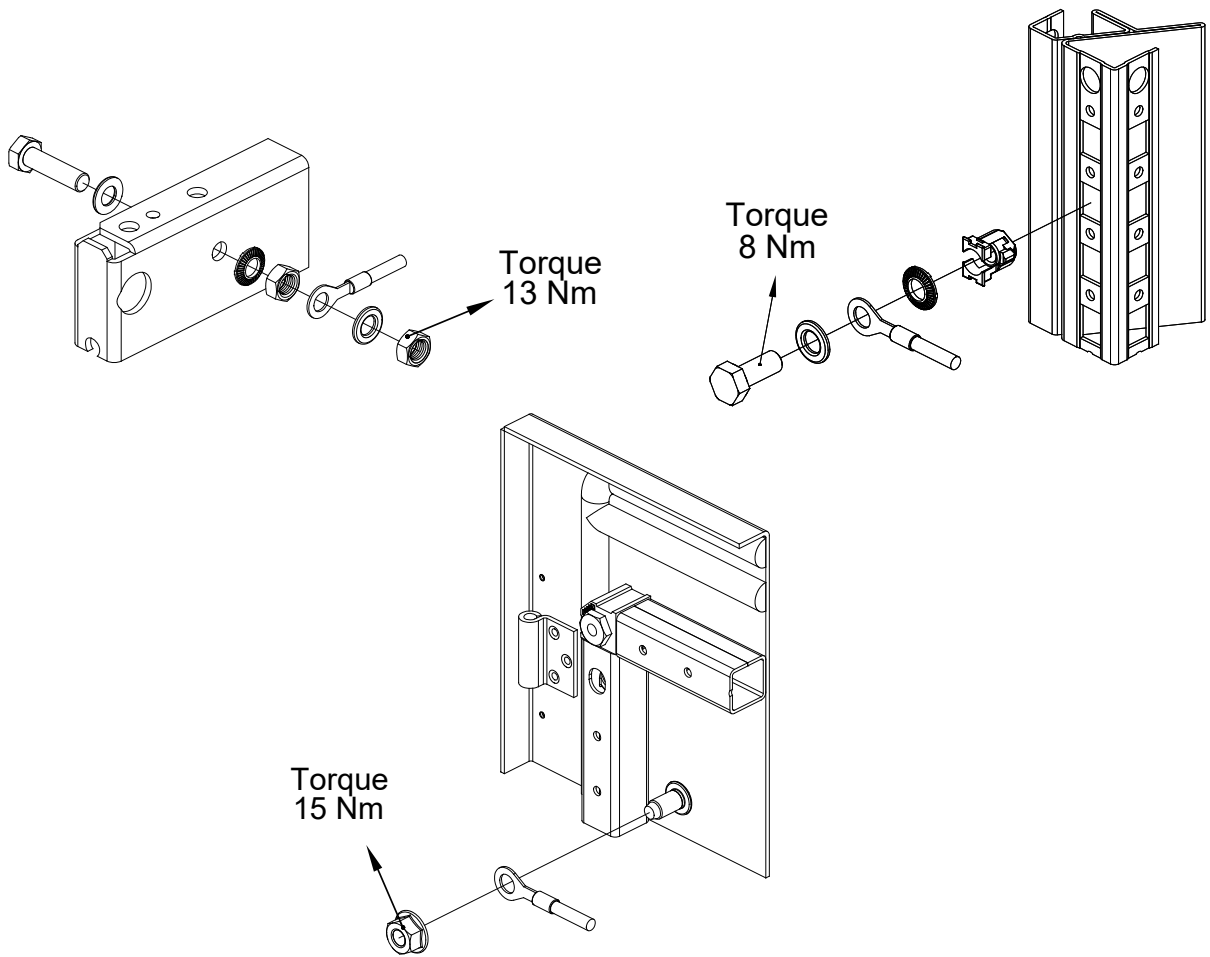
T30



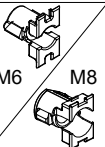
SW3

DHN 180 DOOR ADJUSTMENT





CNM

Ref.	Pic.	Qty.
A		1

