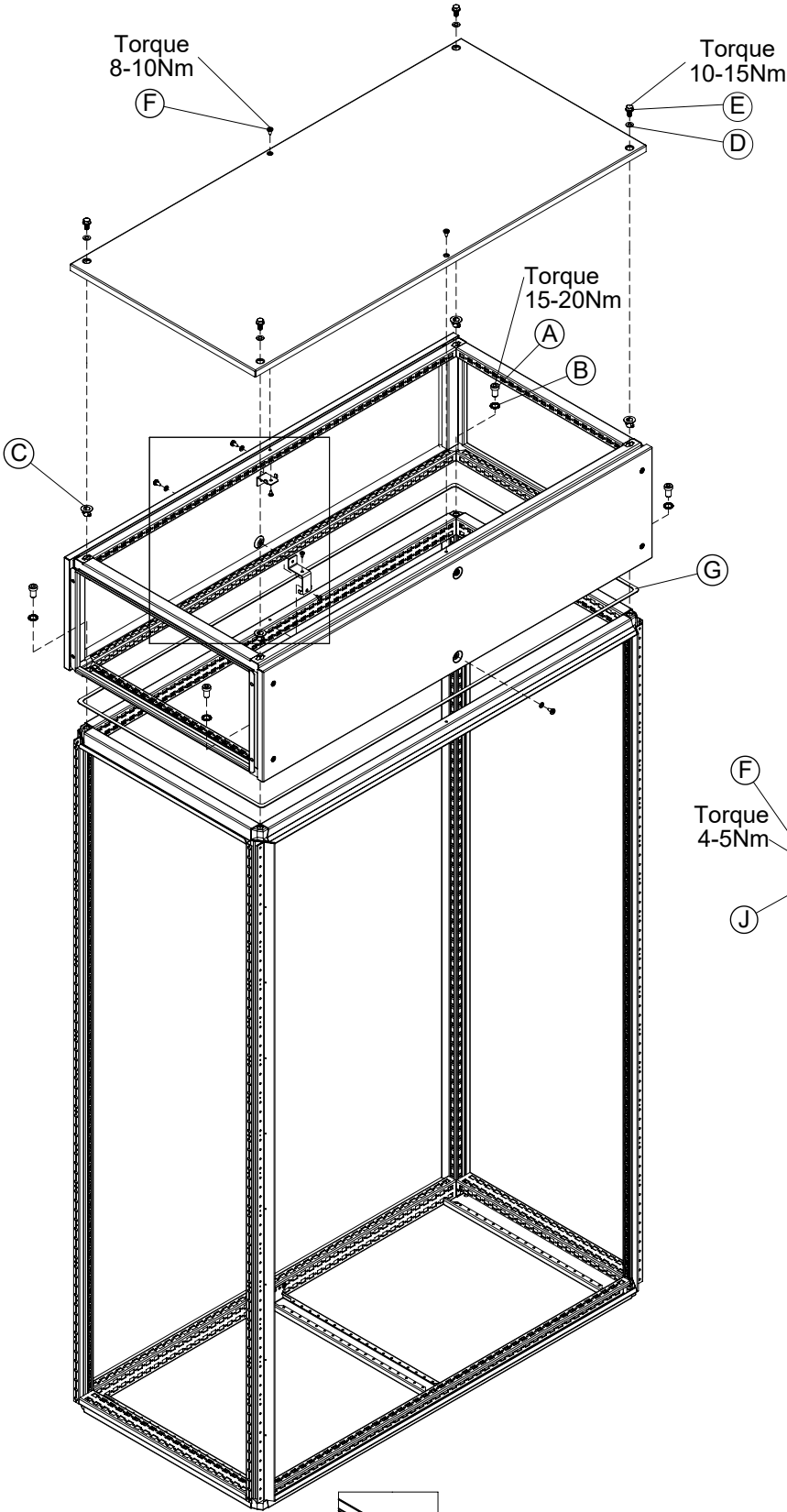


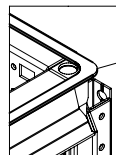
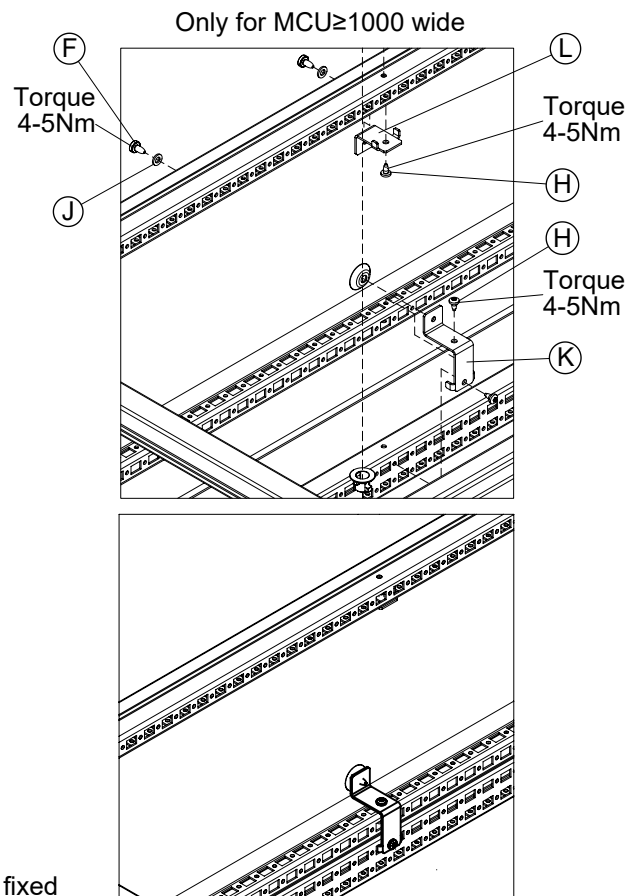
MCU



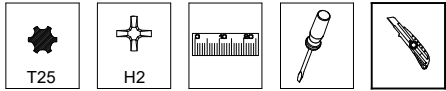
Ref.	Pic.	Qty.
A	M12x20	4
B	M12	4
C	M8	4
D	M8	4
E	M8x16	4
F	M6x12	2
G	4,5x8	6M

Only for MCU ≥ 1000 wide

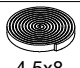
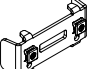
Ref.	Pic.	Qty.
H	M5x10	6
F	M6x12	4
J	M6	4
K		2
L		2

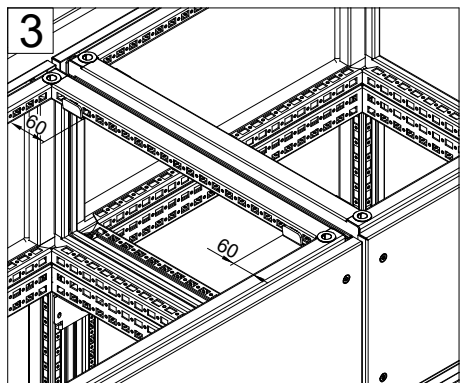
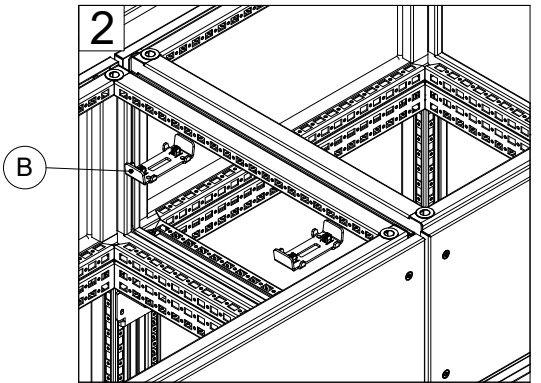
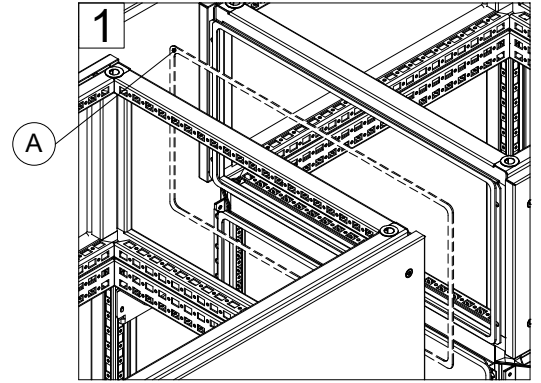
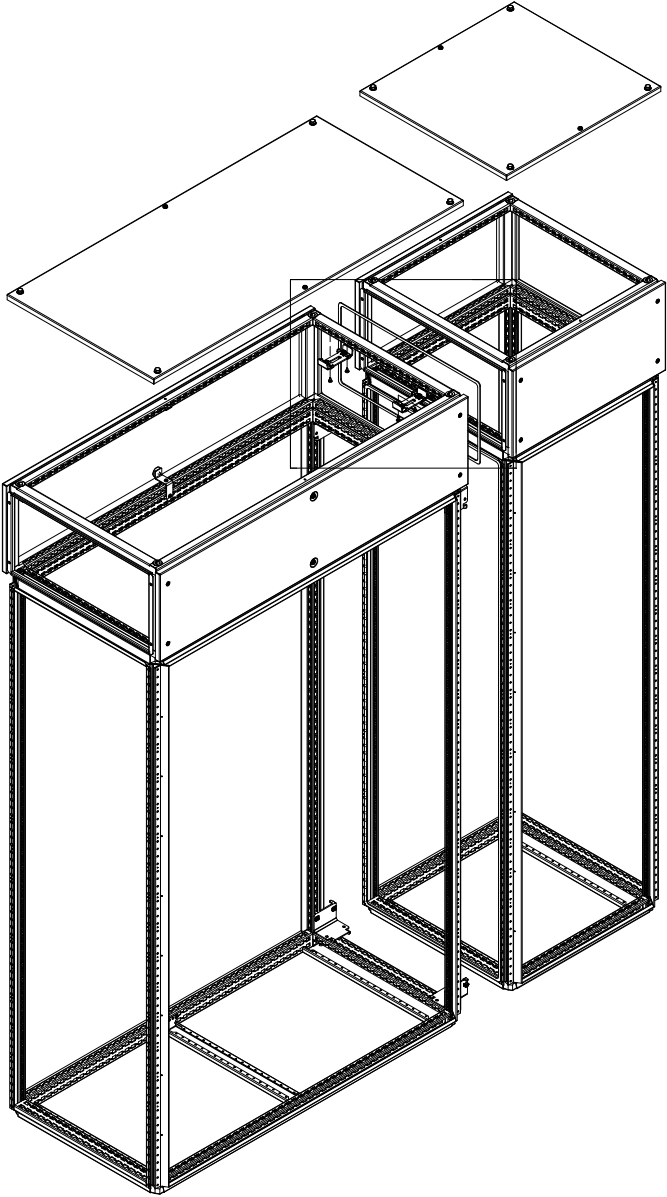


! The gasket must be fixed outside the corner holes!

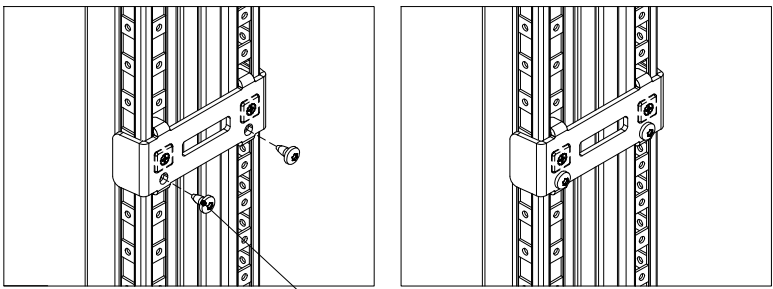


Bayed variant for MCU

Ref.	Pic.	
A	 4.5x8	1
B		2



CCI06 brackets must be ordered separately
ALTERNATIVE FIXATION WITH CNT05(*to be ordered separately)



Torque
4,5-5Nm