
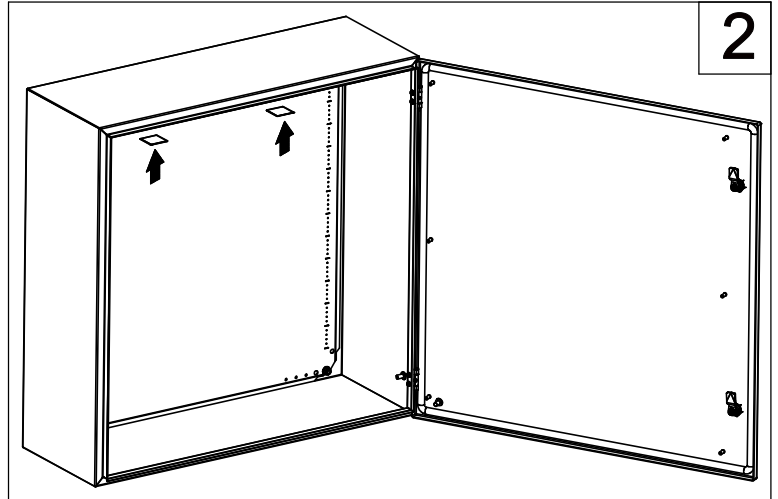
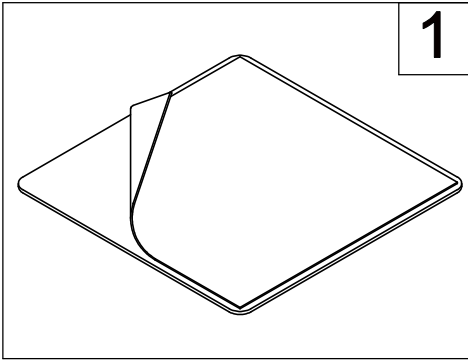
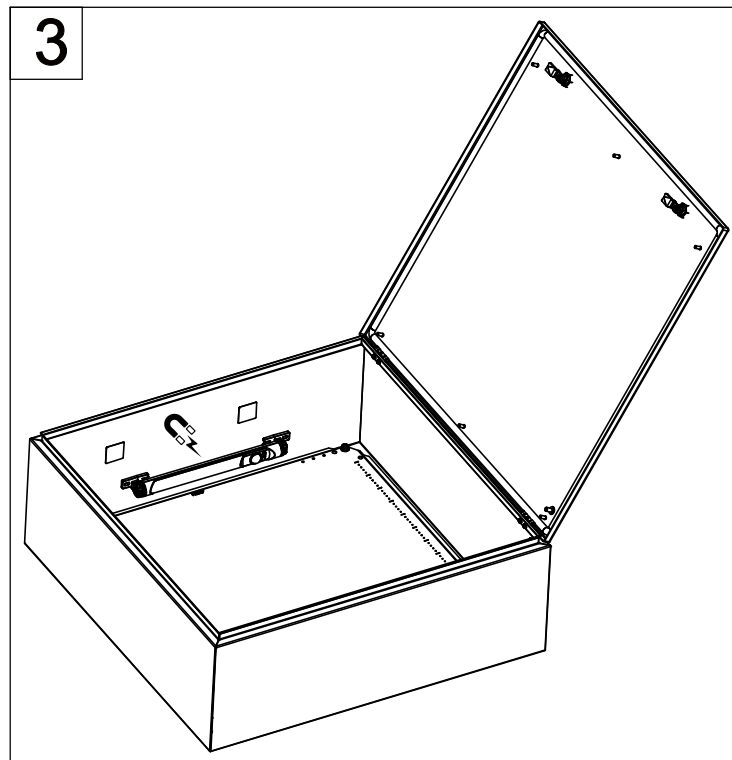


# ELA02CF

Ref.	Pic.	Qty.
A		2



Clean the surface before applying the metallic parts



Wait ~ 15 min after the metallic part was applied

The metallic parts ELA02CF are used with magnetic parts CELA02MF or ELA02MF