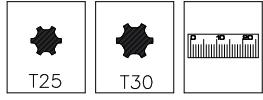
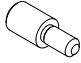
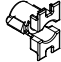


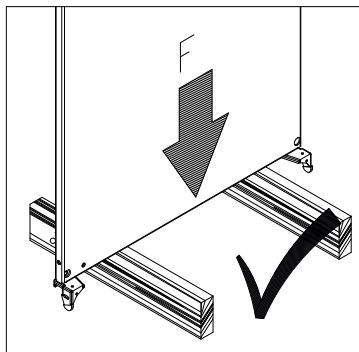
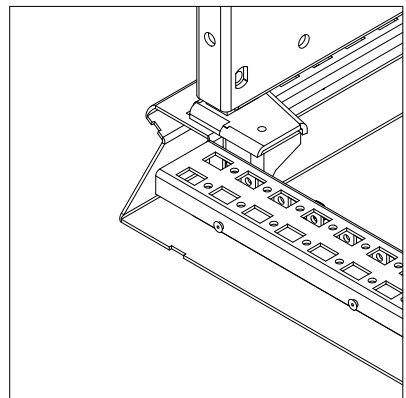
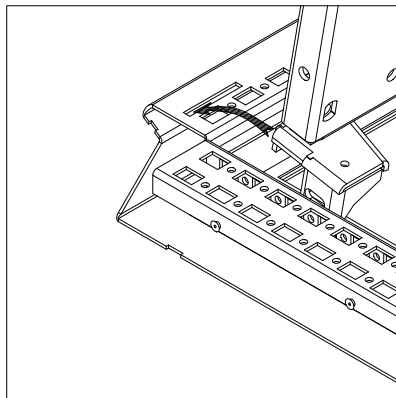
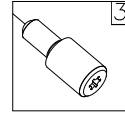
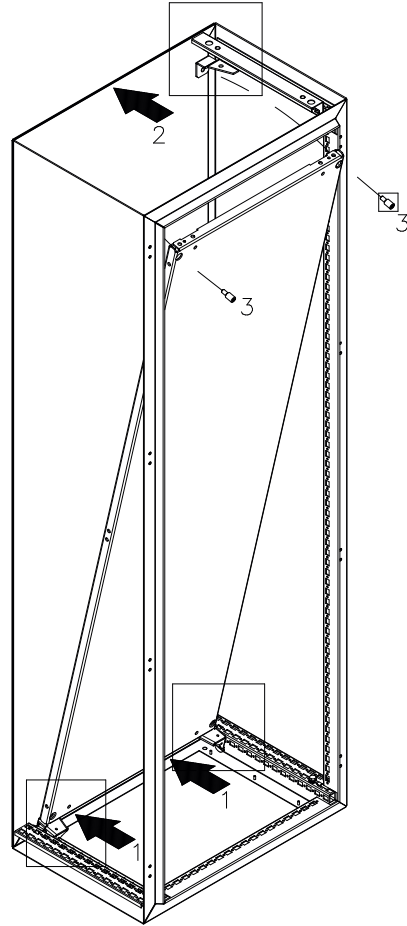
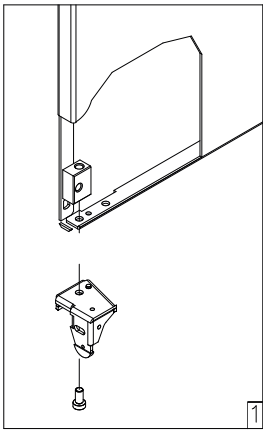
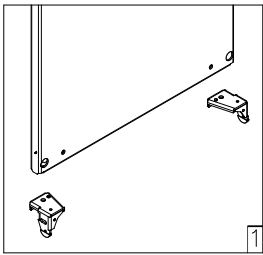
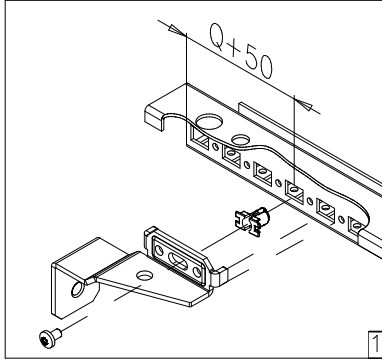


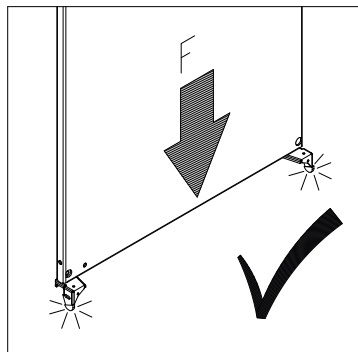
MPAL



Pic.	Qty.
 M8x16	2
 M6	2
 M8x16	2
 M6x12	2



$F > 1000N$



$F \leq 1000N$