

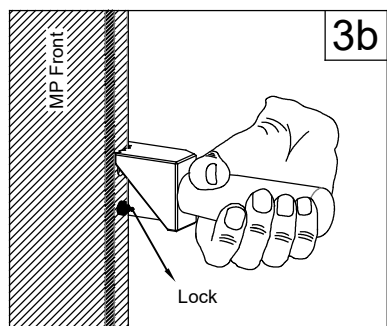
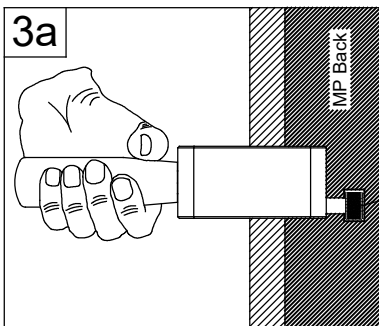
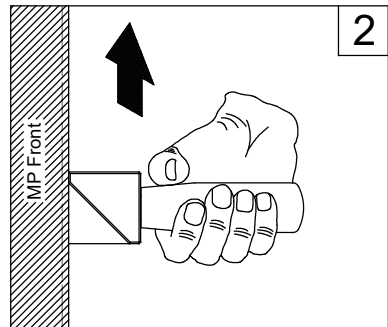
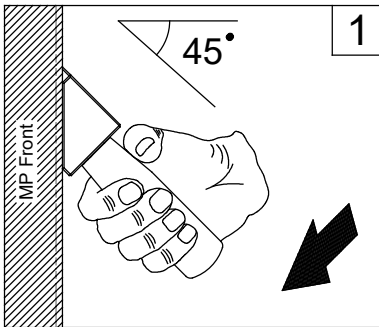
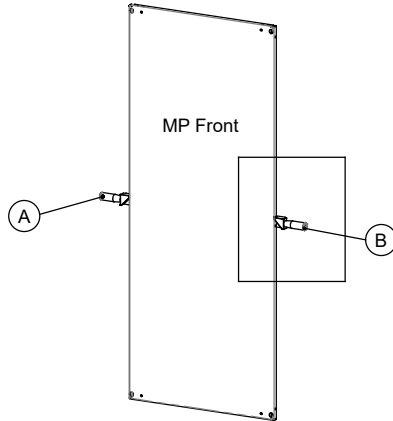


MPTH02

Ref.	Pic.	Qty.
A	Left 	1
B	Right 	1



“Maximum loading capacity exceeds manual handling limits set out for safe maximum lifting weights”