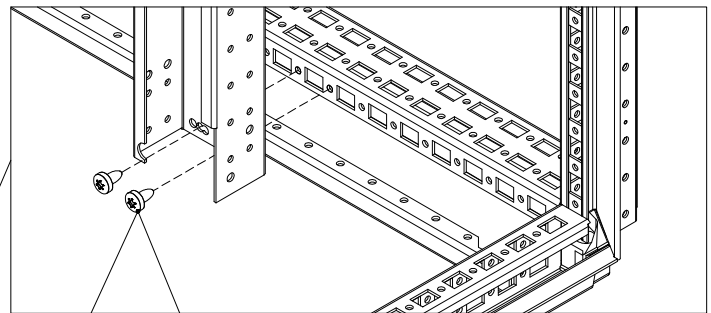
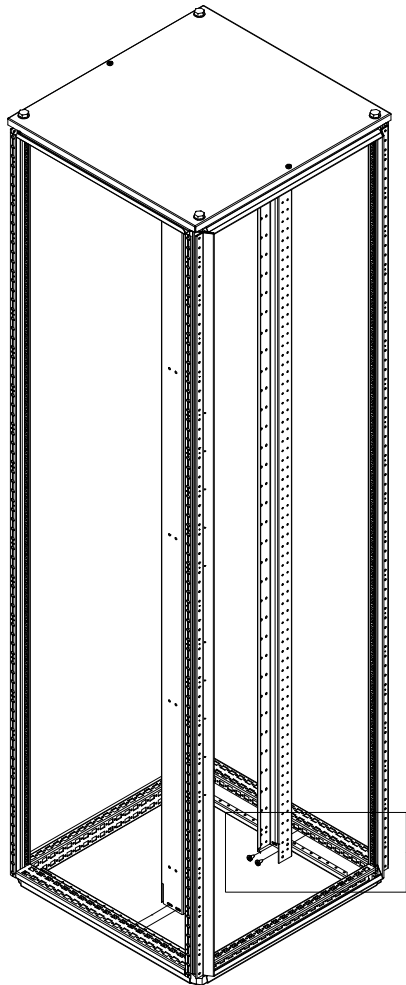


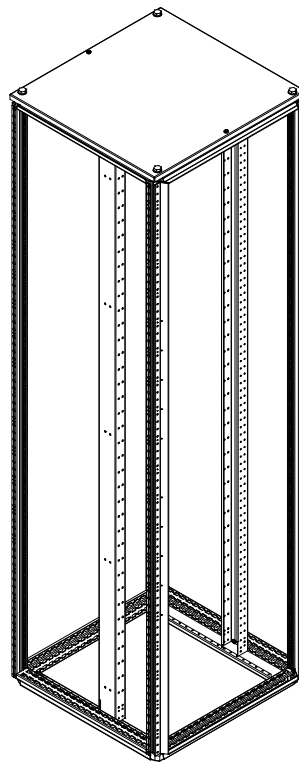
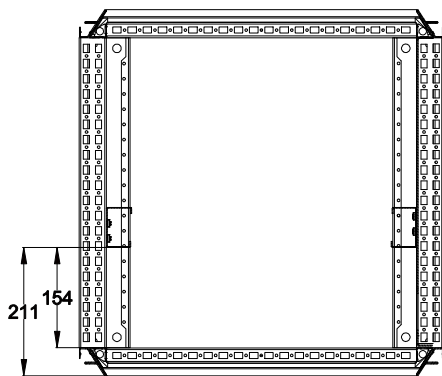


MSFP : 1

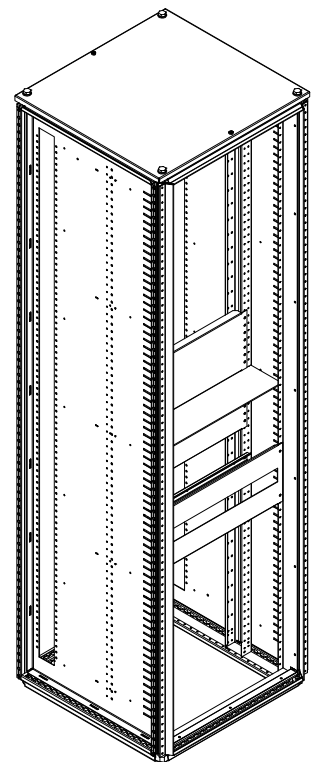
Ref.	Pic.	Qty.
A	M5.5x13	20



A
Torque
7-10 Nm



MSFP

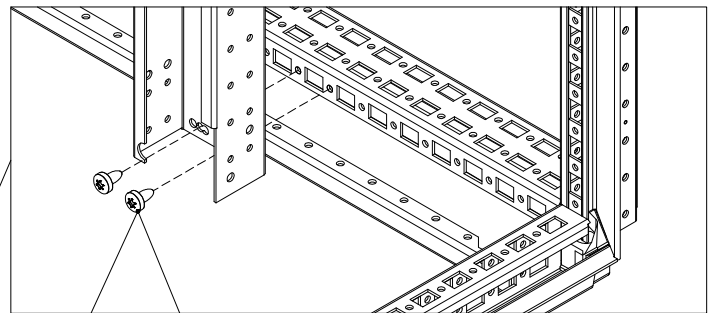
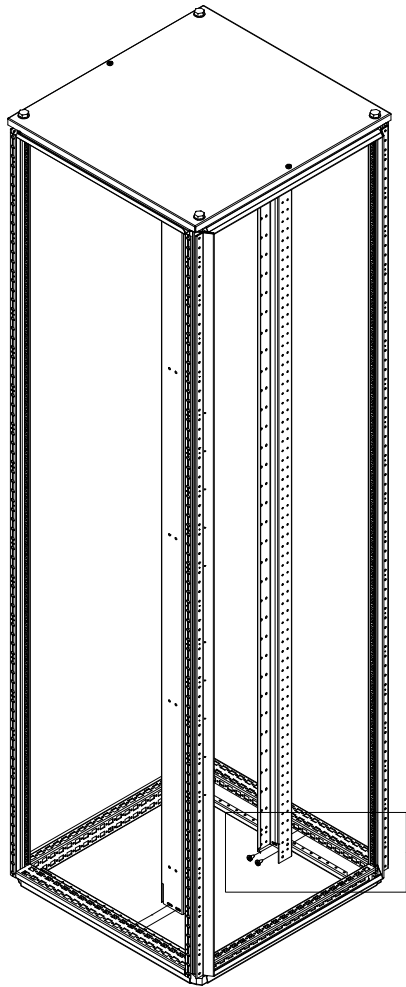


MSFP + MSPS + MSMPN +
MMCP + MSIS + MFCEP

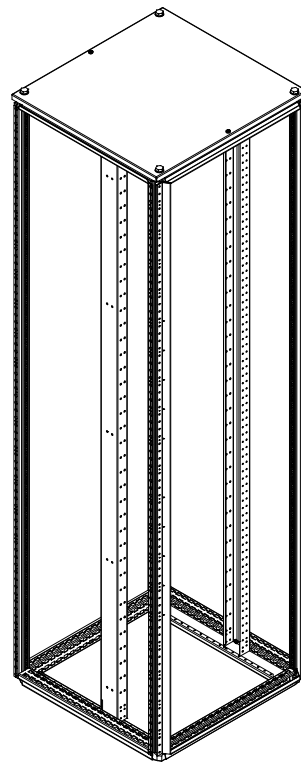
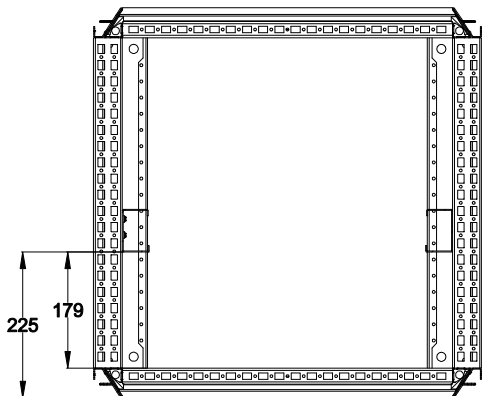


MSFP : 2

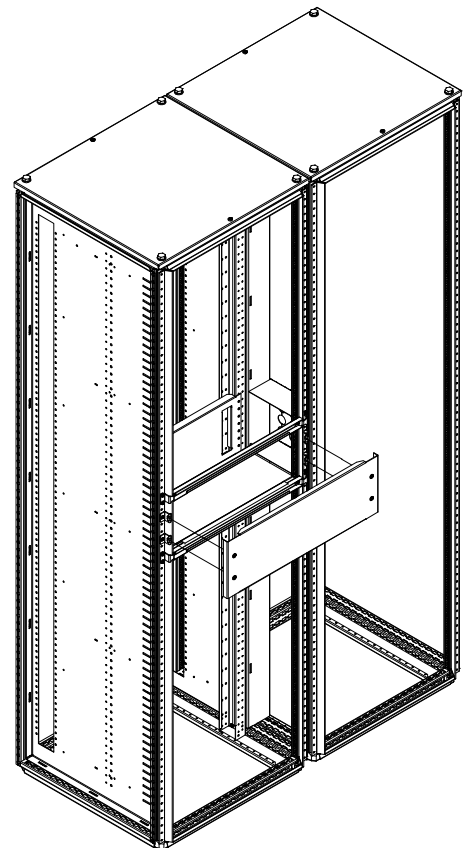
Ref.	Pic.	Qty.
A	M5.5x13	20



A
Torque
7-10 Nm



MSFP



MSFP + MSPS + MSMPN2006V +
MSCE200 + MSES + DPP02006R5