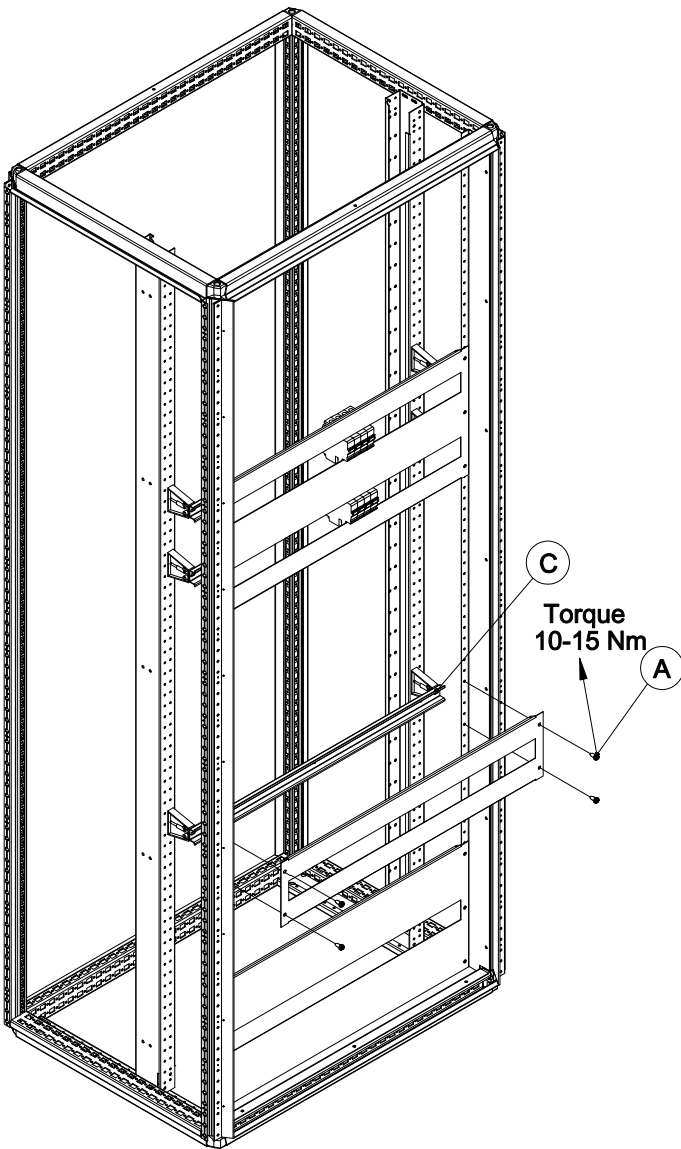


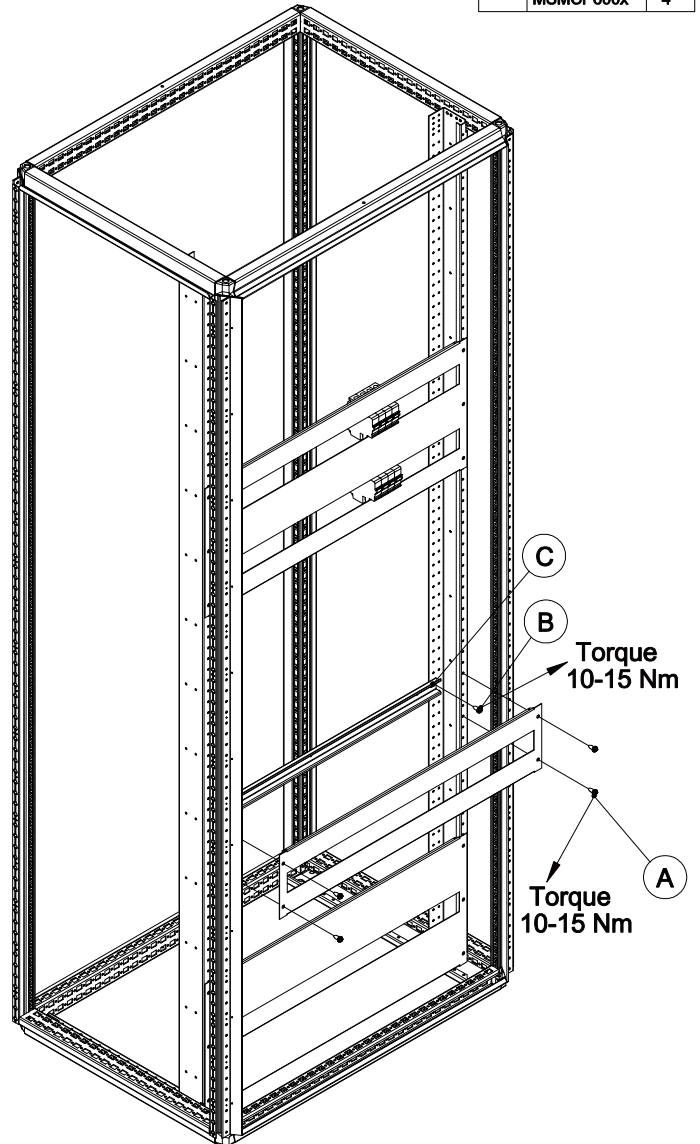


MSMCP

Ref.	Pic.	Qty.
A	M6.5x13	
	MSMCP150x	4
	MSMCP200x	4
	MSMCP300x-1	4
	MSMCP300x-2	6
	MSMCP450x	8
B	M6.3x13	
	MSMCP150x	2
	MSMCP200x	2
	MSMCP300x-1	2
	MSMCP300x-2	4
	MSMCP450x	6
C	DIN Rail	
	MSMCP150x	1
	MSMCP200x	1
	MSMCP300x-1	1
	MSMCP300x-2	2
	MSMCP450x	3
MSMCP600x	4	



FIX SYSTEM
MCSL + MSFP + MSFCP + MSADP



MODULAR SYSTEM
MCSL + MSFMP