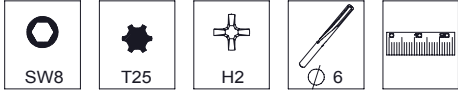
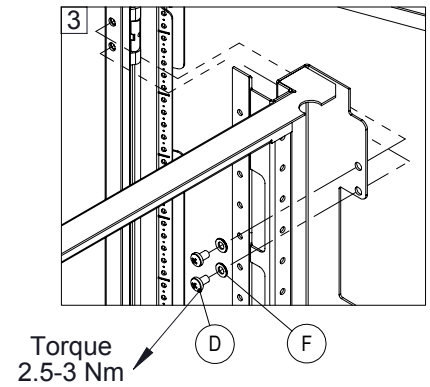
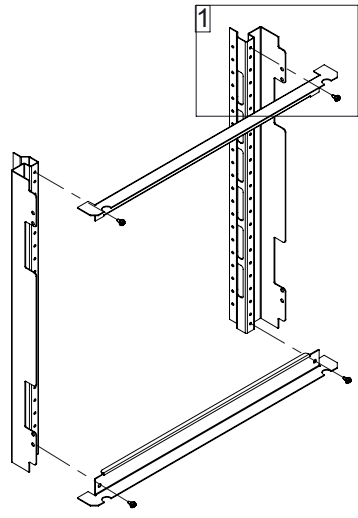
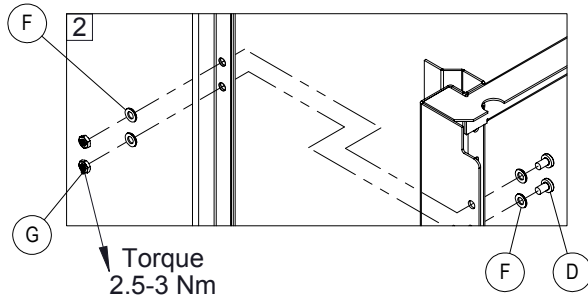
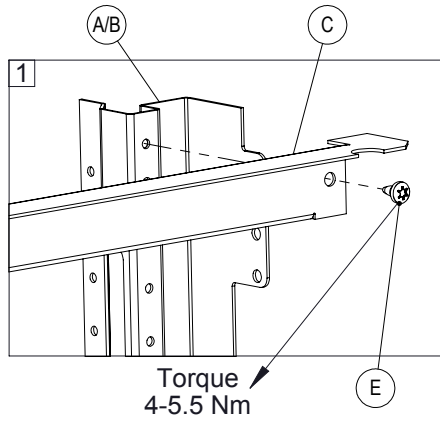
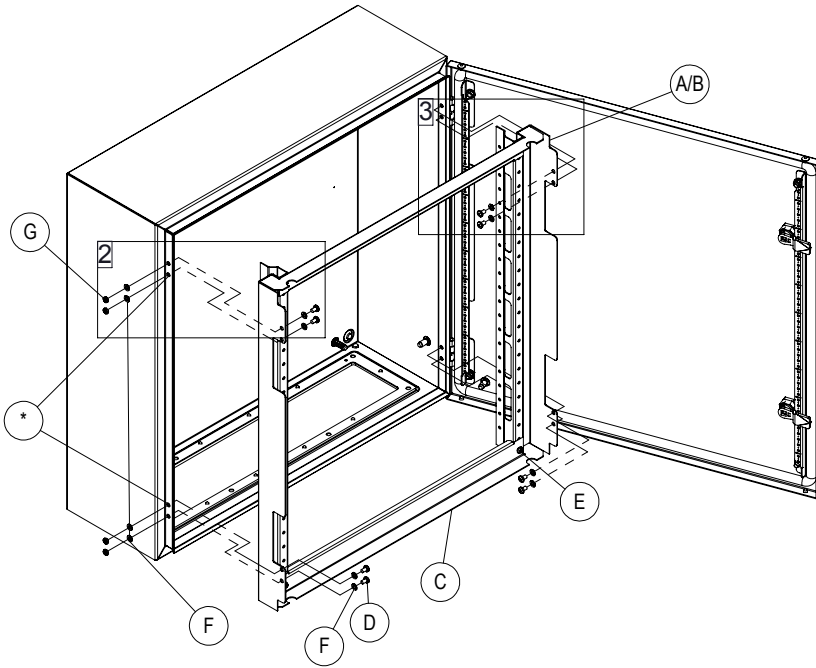


# MSMSM



Ref.	Pic.	MSMSM	
		600 800	1000 1200
A		2	-
B		-	2
C		2	2
D		8	8
E		4	4
F		12	12
G		4	4



\* - Machining needed only on stainless steel enclosures