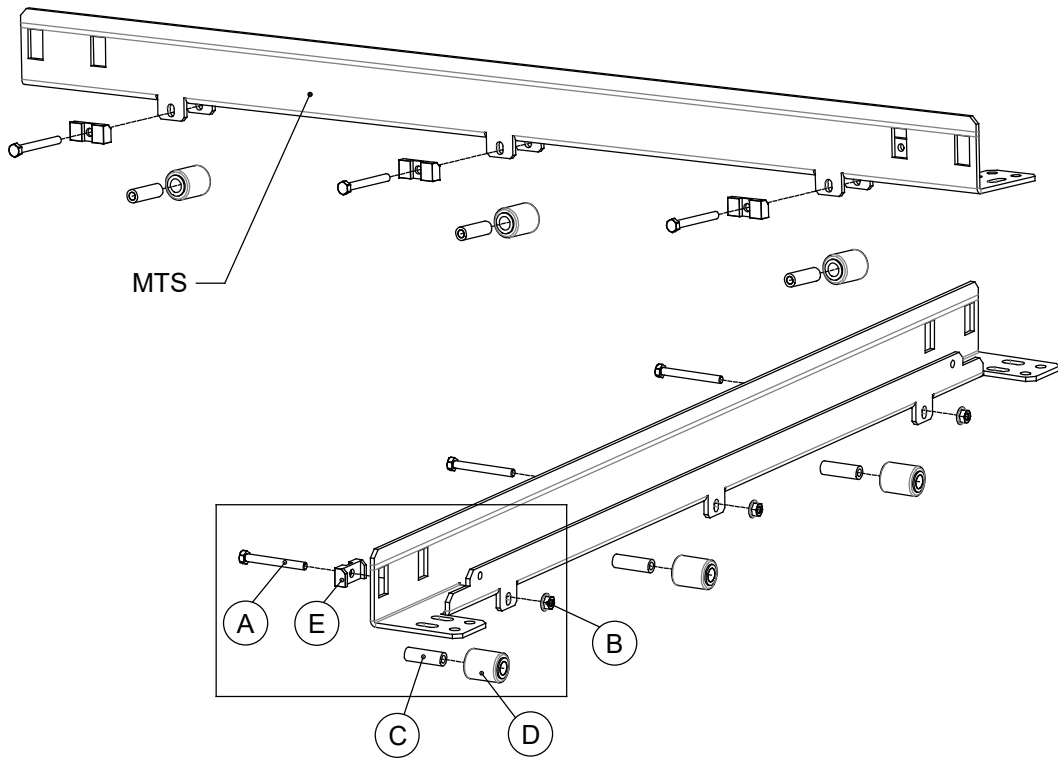


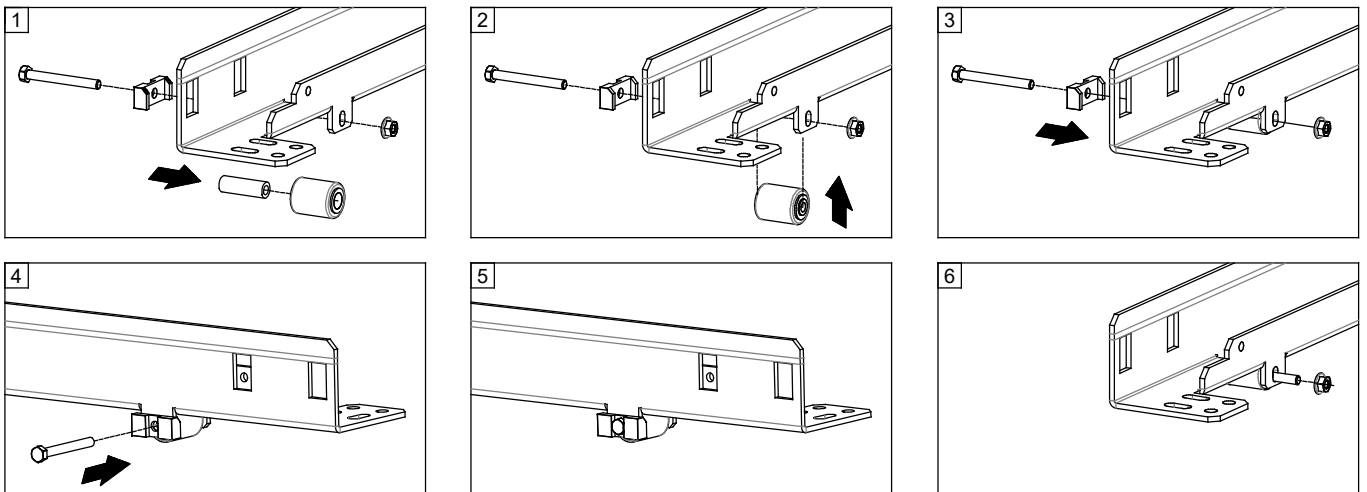


MTS01W

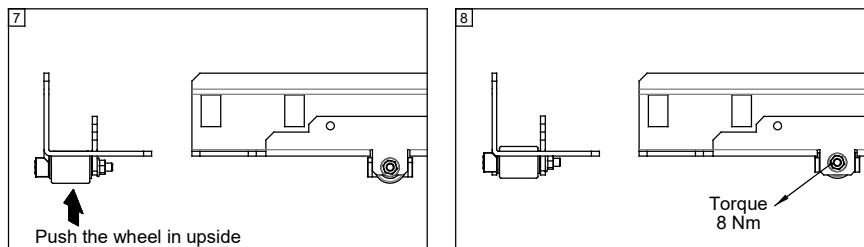


Ref.	Pic.	Qty.
		MTS01W
A		1
B		1
C		1
D		1
E		1

	Number of MTS01W required
MTS500	2
MTS600	3
MTS800	3
MTS1000	4
MTS1200	5
MTS1600	7



Before sliding MP/MPW



Push the wheel in upside

Torque 8 Nm

After sliding MP/MPW

