



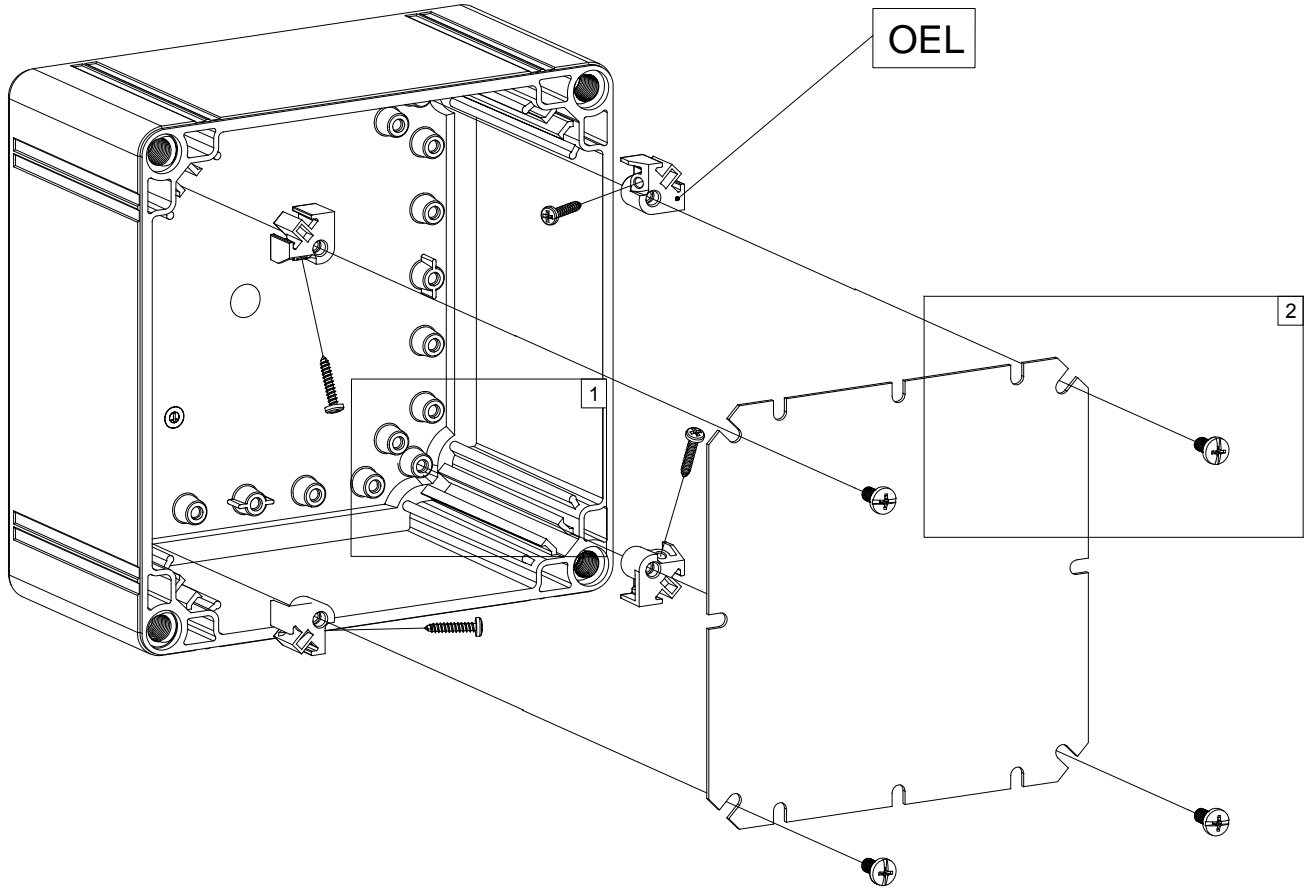
H2



PZ2

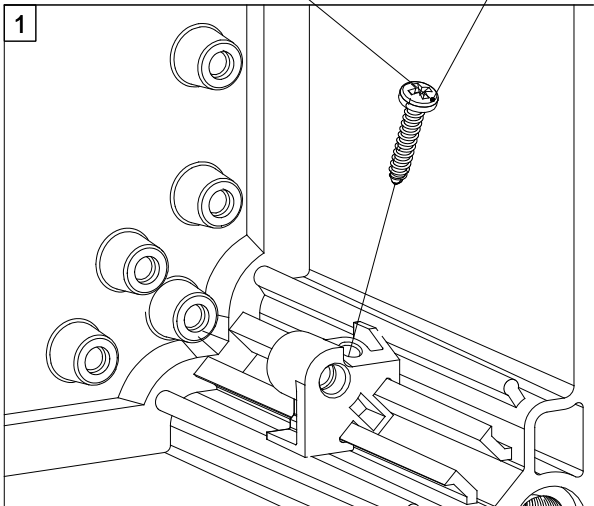
OEL Corner elevator

Ref.	Pic.	Qty.
A	M3x18	4
B	M5x10	4



Torque
3,5-4 Nm

A



Torque
4,5-5 Nm

B

