




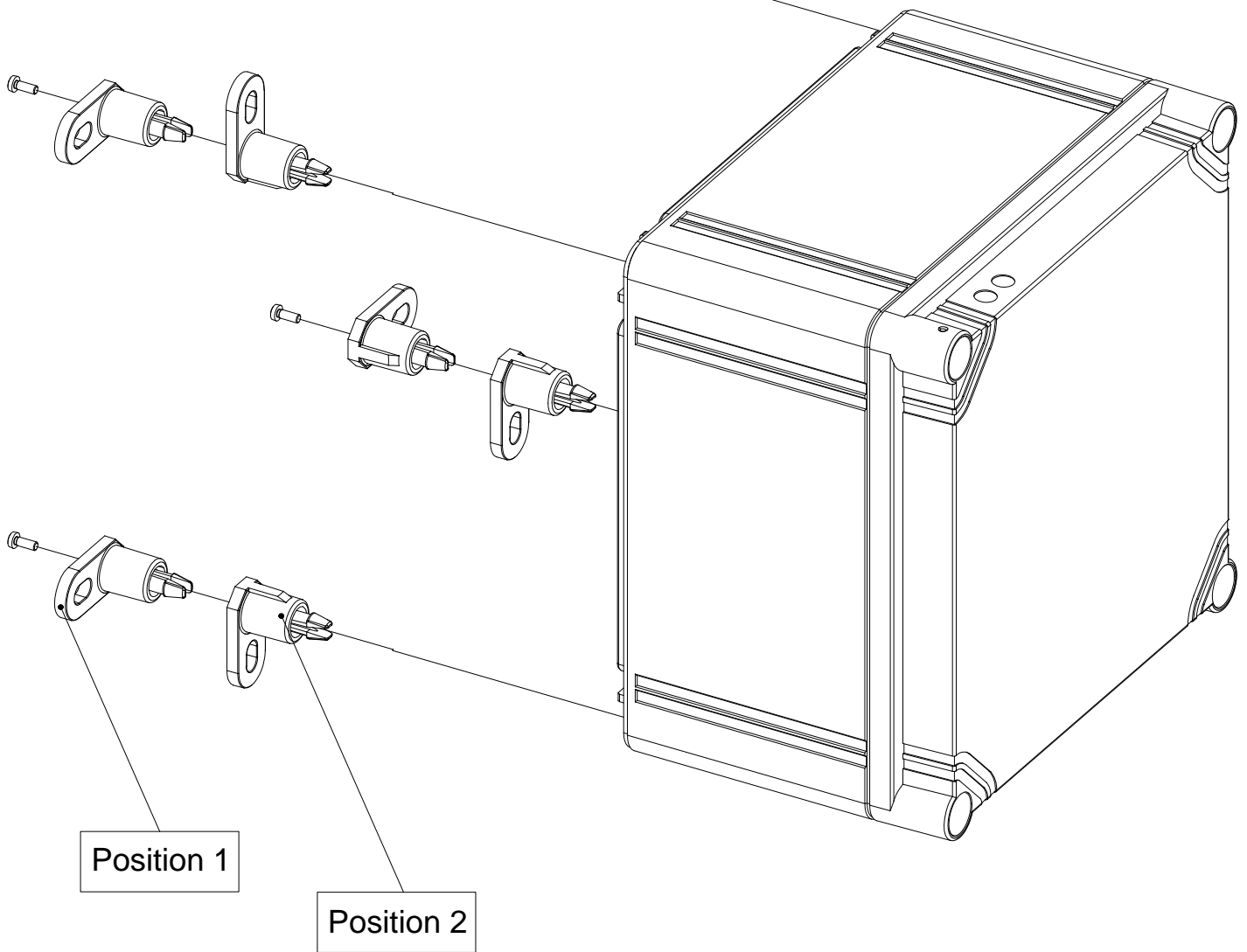
OFL1E

Ref.	Pic.	Qty.
A	 M3x10	4
B	OFL1E	4

Torque
4.5-5 Nm

A

B



Position 1

Position 2