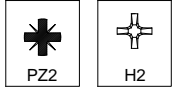
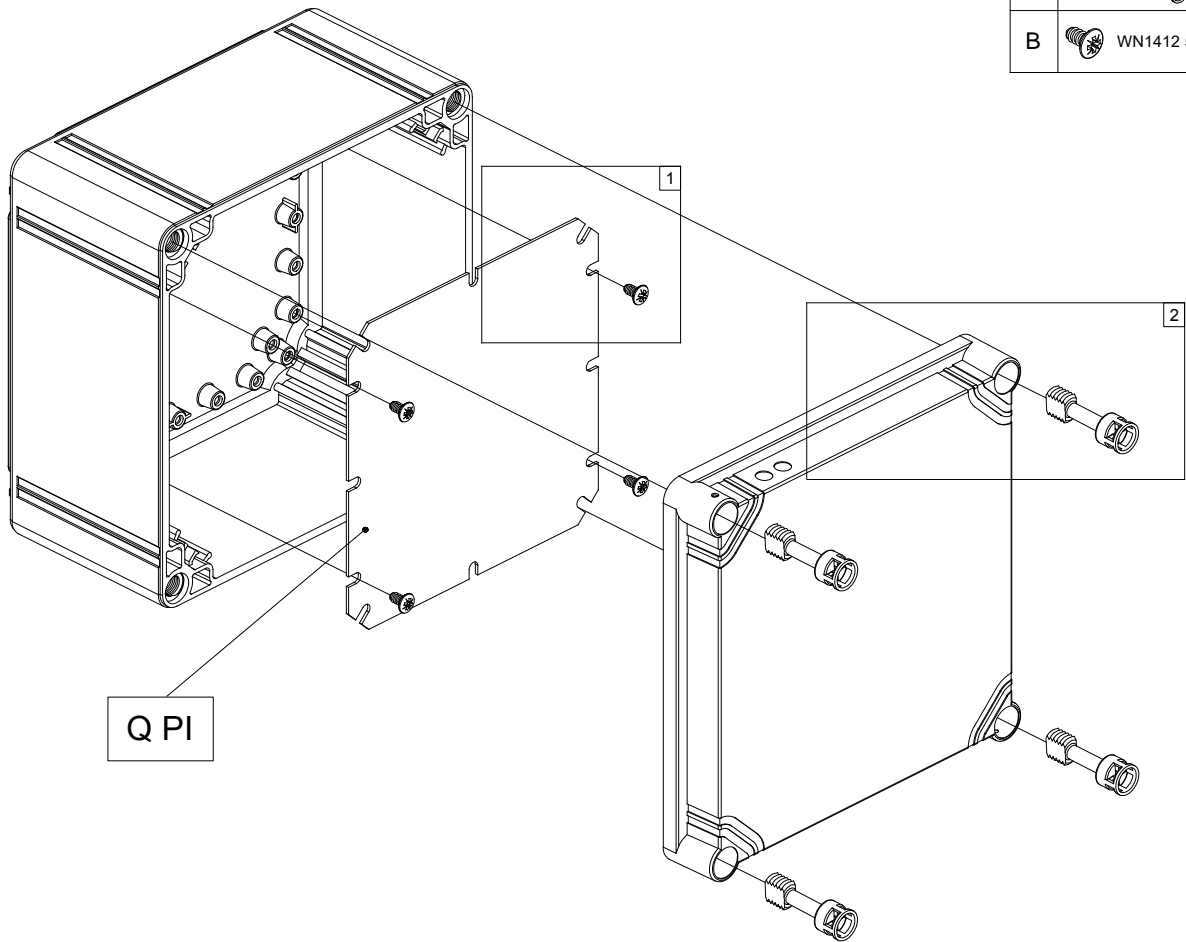


Q PCI



Ref.	Pic.	Qty.
A		4
B	WN1412 5x10	4-6



Torque
0.8 Nm

B

A

Torque
1-2.0 Nm

