

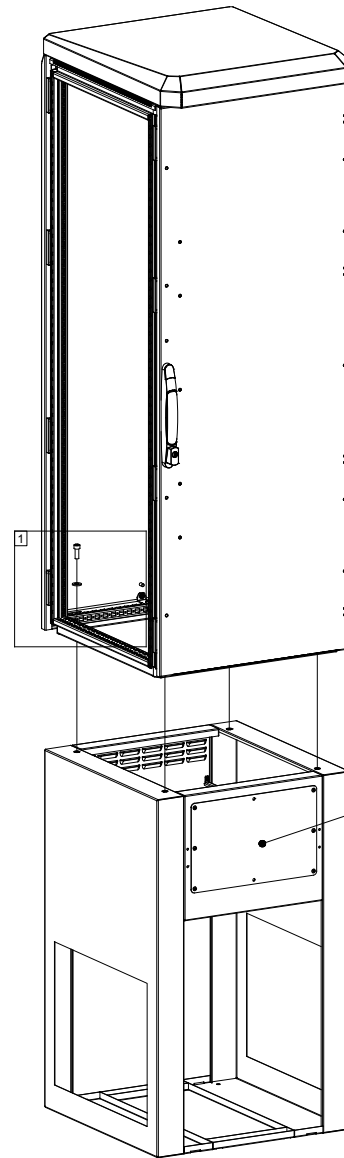
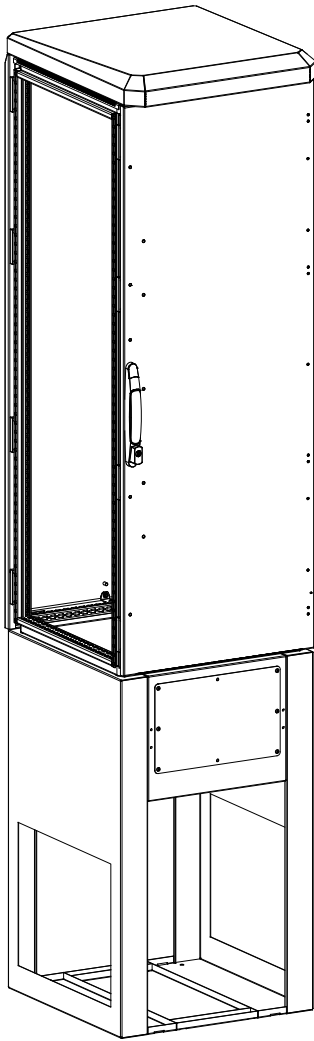




PGM

Ref.	Pic.	Qty.
A	 M9x28	4
B	 M9	4



PGM

Torque
10-15 Nm

