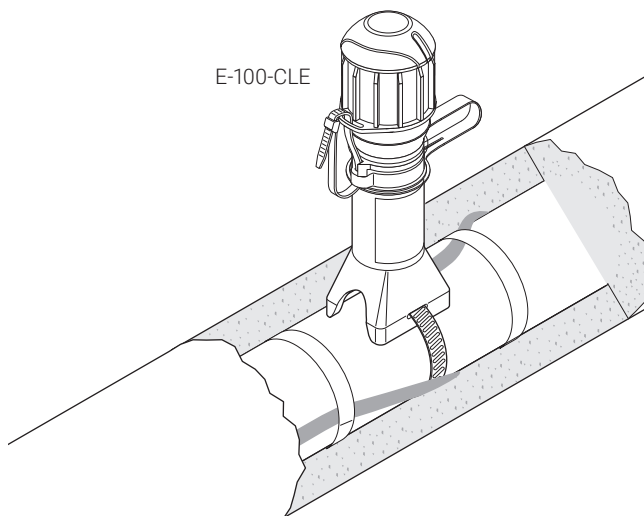


E-100-CLE

CONNECT AND PROTECT

Lighted end seal kit

PRODUCT OVERVIEW



The nVent RAYCHEM E-100-CLE is an above insulation lighted end seal kit for nVent RAYCHEM 3, 5 and 8 XL-TRACE Edge cables in ordinary locations.

The E-100-CLE is mounted on the pipe through the thermal insulation and cladding for ease of maintenance. The E-100-CLE end seal uses an array of bright LEDs for exceptional visibility and long product life.

The E-100-CLE is made from high-performance polymer and resists impact, high temperature, and exposure to chemicals and UV light. The stand allows for up to four inches (100 mm) of thermal insulation. The encapsulated light and boot reliably prevent moisture and dust ingress.

The E-100-CLE is can be opened, enabling easy access for testing. The E-100-CLE makes maintenance easier by allowing for visual inspection of heating circuit continuity. The light module is replaceable.

E-100-CLE requires a pipe strap (sold separately) for installation.

	E-100-CLE
Heating cable compatibility	3, 5, 8 XL-TRACE Edge cables
Ingress protection	Type 4X
Minimum installation temperature	0 (-18°C)
Maximum ambient temperature	104°F (40°C)
Maximum pipe temperature	185°F (85°C)
Maximum operating voltage	277 Vac
Overall height	8 in (200 mm)
Outer diameter at insulation	3 in (75 mm)
Materials	High-performance glass-filled engineered polymer
Light source	Super-bright light-emitting diodes (LEDs), red
Light source power supply	Linear (nonswitching)
Power consumption	< 2 W

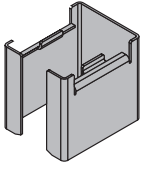
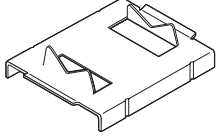
APPROVALS



For used with 3, 5, 8 XL-TRACE Edge cables only

Note: Order appropriate pipe strap separately (one per kit)

ORDERING DETAILS

Lighted end seal E-100-CLE	
Catalog number	E-100-CLE (100-277 Vac)
Part number	2000004493
Weight	0.65 lb (295 g)
Junction box standoff	
For insulation thickness ≥ 120 mm & ≤ 180 mm*	
	
Catalog number	JBS-100-STANDOFF
Part Number	P000003408
Weight	0.297 lb / 135 g
* Consider extra pipe clamp, length 6-9" (150-225 mm) for attachment	
Small pipe adapter	
Required for stand on pipes ≤ 1 "	
	
Catalog number	JBS-SPA
Part Number	E90515-000
Weight	0.408 lb / 185 g (Bag of 5 adaptors)

North America

Tel +1.800.545.6258
thermal.info@nVent.com



Our powerful portfolio of brands:

CADDY ERICO HOFFMAN ILSCO RAYCHEM SCHROFF