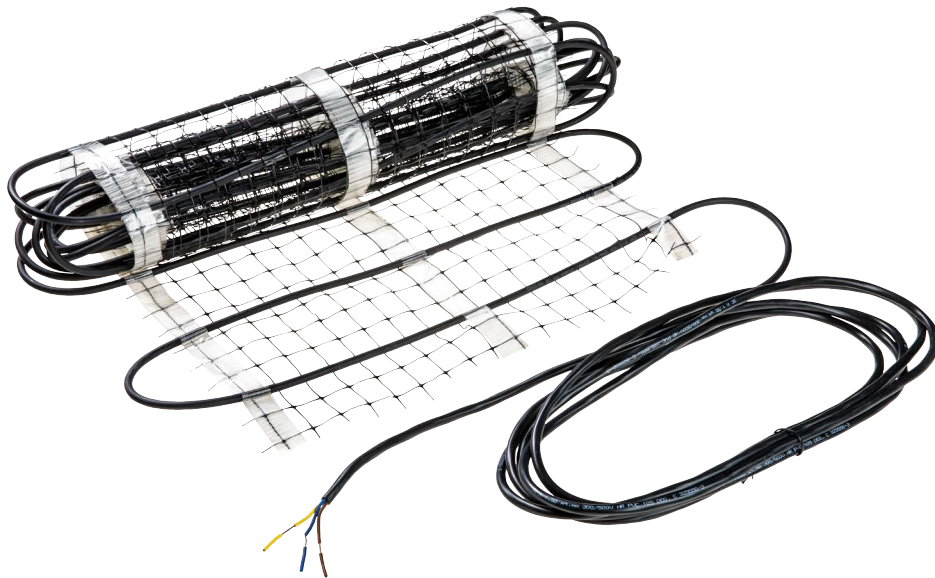


RAYCHEM

WinterGard Mesh Surface Snow Melting System

- EN Installation and Operation Manual for Surface Snow Melting
- CF Manuel d'installation et d'utilisation pour la fonte de neige de surface





EN

CF



TABLE OF CONTENTS

- Important safeguards and warnings 4**
- 1. General information 5**
 - 1.1 Use of the manual 5
 - 1.2 WinterGard Mesh applications 5
 - 1.3 Safety guidelines 5
 - 1.4 Electrical codes 5
 - 1.5 Approvals 5
 - 1.6 Warranty 6
 - 1.7 WinterGard Mesh catalog numbers 6
- 2. Required parts & equipment 7**
 - 2.1 Spacer, junction box, supply lead and caution sign 7
 - 2.2 Controller 7
 - 2.3 Panels 7
 - 2.4 Conduits 7
 - 2.5 Electrical control equipment 7
 - 2.6 Storage of WinterGard Mesh 7
 - 2.7 Test equipment 7
- 3. Installation guidelines & procedures 8**
 - 3.1 Area to be heated 8
 - 3.2 Preparing the subsurface 9
 - 3.3 Conductor resistance and insulation resistance tests 9
 - 3.4 WinterGard Mesh installation 10-14
- 4. System operation 15**
- 5. System maintenance 15**
- 6. System troubleshooting 15-16**
- 7. Installation and Inspection Record 16**



IMPORTANT SAFEGUARDS AND WARNINGS

WARNING: FIRE AND SHOCK HAZARD

nVent RAYCHEM WinterGard Mesh Surface Snow Melting Systems must be installed correctly to ensure proper operation and to prevent shock and fire. Read these important warnings and carefully follow all installation instructions.

- **Minimum installation temperature of the WinterGard Mesh Surface Snow Melting System is 23°F(-5°C).**
- **WinterGard Mesh Surface Snow Melting System is rated weather resistant and suitable for installations in wet areas (-WS).**
- **Approvals and performance of the WinterGard Mesh Surface Snow Melting systems are based on the use of approved components and accessories.**
- **To avoid damage to the heating system, do not energize it until it has been completely embedded and the installation has been completed.**
- **30mA ground fault equipment protection must be used on each branch circuit with this heating system in order to minimize the danger of fire and to comply with the requirements of nVent warranties, agency certifications, and national electrical codes. Arcing may not be stopped by conventional circuit protection.**
- **Heating wires must be spaced at least 1/2 in (1.3 cm) from any combustible surface.**
- **Minimum bending radius of the heating wire is 3" (7.6cm).**
- **The heating wire must not touch, cross over, or overlap itself.**
- **De-energize the heating system before installation or servicing.**
- **The heating system must be properly grounded according to applicable electrical codes.**
- **Terminations must be kept dry before, during, and after installation.**
- **Damaged heating systems can cause electrical arcing or fire. If heating wires or terminations are damaged, they must be repaired or replaced. Contact nVent customer service for assistance.**
- **Rebar, wire mesh or other conductive materials used to support the heating system or to sit above it must be grounded in accordance with CSA Standard C22.1, Section 10 or the National Electrical Code as applicable.**
- **Megohmmeters operate at high voltage. This voltage is hazardous and possibly lethal. Read and follow all instructions included with the instrument you are using.**
- **Do not install the WinterGard Mesh Surface Snow Melting system in heavily trafficked commercial areas.**

1. GENERAL INFORMATION

1.1 Use of the Manual

This manual covers the installation procedures, testing, and maintenance for nVent RAYCHEM WinterGard Mesh Snow Melting Systems, accessories, and controls for surface snow melting in concrete, asphalt, and sand or limestone screenings under paving stones*.

This manual assumes that a proper snow melting or anti-icing design has been completed according to nVent's recommendations. Only the applications described in this manual are approved by nVent for nVent RAYCHEM WinterGard Mesh Surface Snow Melting Systems and only when used with approved accessories.

The instructions in this manual and the installation instructions included with the control systems, power distribution systems, and accessories must be followed for the nVent warranty to apply.

For design assistance, technical support, or information regarding other applications not shown here, please contact your nVent representative or nVent directly.

nVent

7433 Harwin Drive
Houston, TX 77036
USA

Tel +1.800.545.6258
Fax +1.800.527.5703
thermal.info@nVent.com
nVent.com/RAYCHEM

⚠ Important: For the nVent warranty and agency approvals to apply, the instructions that are included in this manual and product packages must be followed.

*Special permission for paver snow melting is required from the Authority Having Jurisdiction.

1.2 WinterGard Mesh Applications

Surface Snow Melting: Surface snow melting systems prevent the accumulation of snow on ramps, slabs and driveways under typical snow conditions.

Anti-Icing: Anti-icing systems keep the surface temperature above freezing to prevent ice formation.

1.3 Safety Guidelines

As with any electrical equipment, the safety and reliability of any system depends on the quality of the products selected and the manner in which they are installed and maintained. Incorrect design, handling, installation, or maintenance of any of the system components could damage the Surface Snow Melting System and may result in inadequate snow melting, electric shock, or fire. To minimize these risks and to ensure that the system performs reliably, read and carefully follow the information, warnings, and instructions in this guide.

Pay special attention to the following:

- Important instructions are marked **⚠ Important**
- Warnings are marked **⚠ WARNING**

1.4 Electrical Codes

Article 426 of the National Electrical Code (NEC) and Section 62 of the Canadian Electrical Code (CEC) govern the installation of fixed outdoor surface snow melting and de-icing systems. All installations must be in compliance with these and any other applicable national and local codes.

1.5 Approvals

WinterGard Mesh systems are approved for use in nonhazardous areas only.

1.6 Warranty

nVent warrants all nVent RAYCHEM WinterGard Mesh Systems against faulty workmanship and use of defective materials for two (2) years from the date of purchase. This warranty can be amended only by a written instrument signed by a duly authorized officer of nVent. Buyer's exclusive remedy under this warranty shall be to have nVent, within a reasonable time, repair such goods, or supply replacement goods, or credit Buyer's account for such goods and accept their return, whichever nVent may elect at its sole discretion. nVent shall in no event be liable for the cost of removal or installation, for loss or damage to or loss of use of facilities or other property, loss of revenue, loss of use of revenue, loss of anticipated profits, or other damages or costs of any kind whatsoever, whether direct, indirect, incidental, or consequential. Notwithstanding the foregoing, nVent shall have no liability whatsoever unless: (a) Buyer promptly notifies nVent in writing after discovery of an alleged nonconformity and includes a detailed explanation of the alleged nonconformity; (b) Buyer promptly returns the goods to nVent postage prepaid, at the address obtained by calling Customer Service at 1-800-545-6258 or 650-216-1526; and (c) nVent examination of such goods establishes to nVent satisfaction that such alleged nonconformities actually exist and occurred in the cause of proper and normal use and were not caused by accident, misuse, neglect, alteration or improper installation, repair or testing or such other cause outside of the responsibility of nVent under this Limited Warranty. THE FOREGOING WARRANTY IS IN LIEU OF ALL OTHER REPRESENTATIONS, WARRANTIES, OR CONDITIONS, EXPRESS OR IMPLIED, INCLUDING WITHOUT LIMITATION ANY IMPLIED WARRANTY OF MERCHANTABILITY, FITNESS FOR A PARTICULAR PURPOSE OR NONINFRINGEMENT, AND OF ANY OTHER OBLIGATION OR LIABILITY ON THE PART OF nVent, WHETHER BY STATUTE, CONTRACT, STRICT LIABILITY, TORT OR OTHERWISE. If the goods are a consumer product in buyer's jurisdiction, the above exclusion or limitation of incidental or consequential damages and the above disclaimer of implied warranties may not apply. The term of any such implied warranty is limited to the term of this two-year Limited Warranty. Some jurisdictions do not allow limitations on how long an implied warranty lasts, so the above limitation may not apply. This warranty gives consumers specific legal rights, and consumers may also have other rights, which vary by jurisdiction.

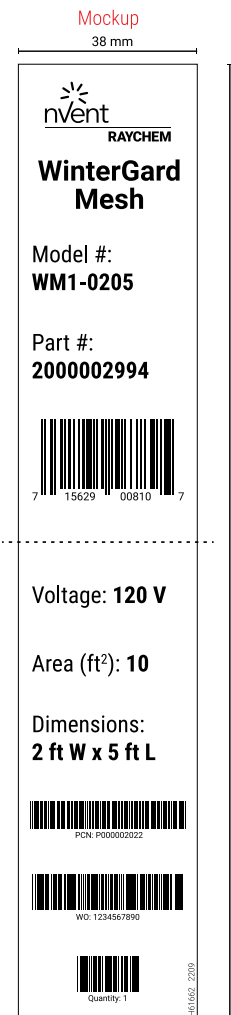
1.7 WinterGard Mesh Catalog Numbers

The catalog number for WinterGard Mesh encodes the product characteristics as follows:

WM[a]-[bb][cc]

- WM = WinterGard Mesh
- [a] = Voltage
 - o 1 = 120 V
 - o 2 = 240 V
- [bb] = Width (ft)
 - o 02 = 2 ft
 - o 03 = 3 ft
- [cc] = Length (ft)
 - o 05 = 5 ft
 - o 10 = 10 ft
 - o 15 = 15 ft
 - o 20 = 20 ft
 - o 25 = 25 ft
 - o 30 = 30 ft
 - o 35 = 35 ft
 - o 40 = 40 ft
 - o 45 = 45 ft
 - o 50 = 50 ft
 - o 60 = 60 ft
- Area coverage (ft²) = Width x Length
- Power (W) = Area coverage (ft²) x 50 W/ft²

For example, WM1-0205 is 120 Volts, 2 ft wide, 5 ft long, 10 ft² area, and 500 Watts.



2. REQUIRED PARTS & EQUIPMENT

2.1 Spacer, junction box, supply lead and caution sign

When it is necessary to loosen the heating wire from the mesh, the plastics strips (Model EM2-SPACER-PL) will help maintain the correct spacing 3" (7.6 cm). For asphalt layer the metal spacer (Model HARD-SPACER-GALV-25MM-25M) should be used. Extension of the cold leads needs to be done in a junction box. The connection between the control panel and the junction box is made by a suitable supply lead.

For installation in asphalt, the sensor cables must be protected by a metal conduit pipe or be laid under the asphalt layer in the substrate underneath. The conduit pipe is sealed at the end so the asphalt cannot seep in. Ensure that the heating wire and the splice and end seal terminations are completely enveloped by the asphalt without air pockets. Allow asphalt to cool to temperature of 212°F (100°C) or lower before pouring it within 30" (76 cm) of the terminations. This work needs to be done before the asphalt pouring of the entire surface will be executed.

Minimum one snow melt caution sign (Model SMCS or SMCS-CF) should be used per system.

2.2 Controller and Sensors

nVent offers control units specially designed for the surface snow melting application. Some incorporate combined temperature and moisture sensors to ensure efficient operation of the system.

Catalog #	Description
EC-TS	Adjustable electronic thermostat for ambient, pipe, or slab sensing
PD-PRO	Automatic snow- & ice-melting controller for use with Snow Owl, GIT-1 and SIT-6E sensors (sold separately)
GF-PRO	Automatic snow- & ice-melting controller with GFEP for use with Snow Owl, GIT-1 and SIT-6E sensors (sold separately)
RCU-3	Remote control for use with PD-Pro, APS-3C or EUR-5A
RCU-4	Remote control for use with GF-Pro, APS-4C or SC-40C
LCD-8	Aerial snow switch
Snow Owl Sensor	Snow Owl Aerial Snow Sensor (for use with PD-PRO or GF-PRO)
SIT-6E	Pavement-mounted snow sensor

2.3 Conduits

Minimum 3/4" diameter conduits (not included) are required to protect the cold lead and the sensor connection lead.

2.4 Ground Fault Protection

Use circuit breakers that incorporate 30-mA ground-fault circuit protection, or provide equivalent levels of ground-fault protection. To minimize the danger of fire from sustained electrical arcing if the heating wire is damaged or improperly installed, and to comply with the requirements of nVent agency certifications, and national electrical codes, ground-fault equipment protection must be used on each heating cable branch circuit. Arcing may not be stopped by conventional circuit protection.

2.5 Storage of WinterGard Mesh

Storage temperature range: -40°F to 113°F (-40°C to 45°C). Store all system elements in a clean, dry place.

2.6 Test equipment

- Ohmmeter
- 2500 Vdc megohmmeter

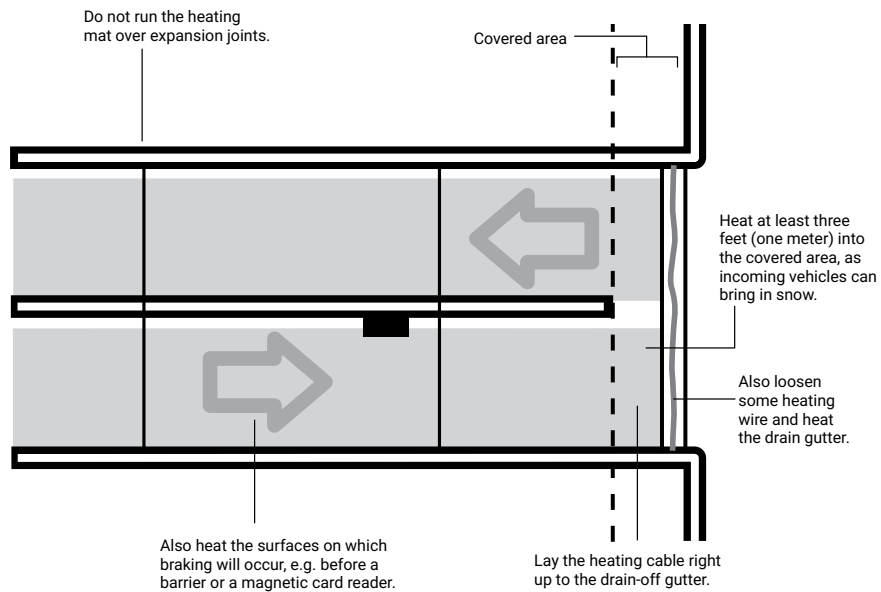
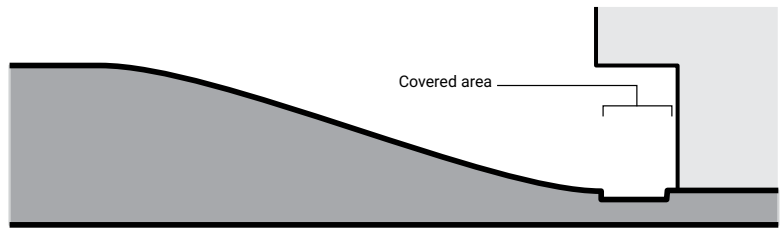


3. INSTALLATION GUIDELINES & PROCEDURES

3.1 Area to be heated

Determine the exact area to be heated and consider the following factors:

- Ensure the area to be heated complies with the data in the design instructions. See Table 1 on page 10 for product selection.
- Establish junction box location(s) and ensure the connection leads (16.4' (5 m)) are long enough.
- Inspect and clean the surface before installation, removing sharp objects that can damage the heating element.
- The heating element must not be shortened or altered.



Example of Snow Melting for a Parking Ramp

3.2 Preparing the Subsurface

WinterGard Mesh should be installed on a stable subsurface. In suspended structures, the top surface may consist of finished slabs, prestressed concrete or a suspended structure with poured concrete. WinterGard Mesh can be laid on all subsurfaces such as soil, compacted screens, sand, or gravel.

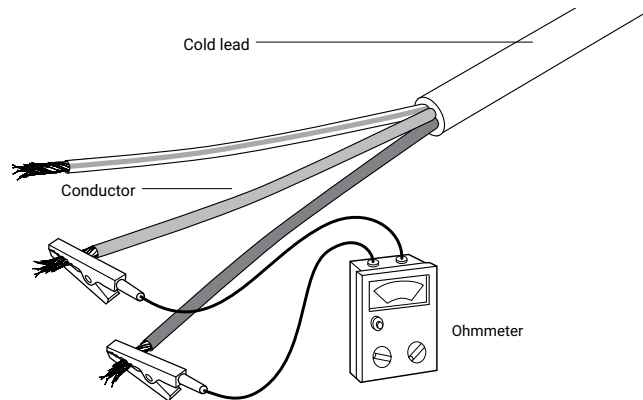
In the case of poured concrete, ensure that the subsurface is smooth and all sharp objects are removed. Ramps on a solid subsurface do not require additional thermal insulation.

Appropriate preparations should be made for installing the temperature and moisture sensor.

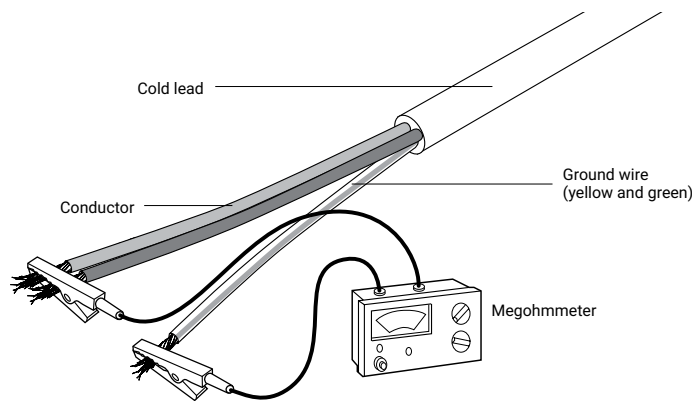
3.3 Conductor Resistance and Insulation Resistance Tests

Test WinterGard Mesh by measuring the conductor resistance and the insulation resistance.

Test the conductor resistance with an ohmmeter. The measured resistance should be within -5% to +10% of the nominal resistance values shown in Table 1 on page 10.



Test the insulation resistance (using a megohmmeter) at three voltages: 500, 1000 and **2500Vdc**. The reading should be 100 Mohms or higher.



Record all measured values on the Installation and Inspection Record provided in Section 7.

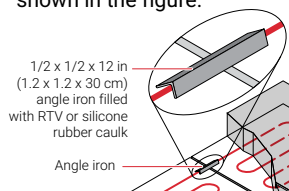
Table 1: WinterGard Mesh Product Selection

Catalog #	Voltage (V)	Width (ft)	Length (ft)	Area (ft ²)	Resistance (Ω)	Power (W)
WM1-0205	120	2	5	10	28.8	500
WM1-0210	120	2	10	20	14.4	1000
WM1-0215	120	2	15	30	9.6	1500
WM1-0220	120	2	20	40	7.2	2000
WM1-0225	120	2	25	50	5.8	2500
WM1-0230	120	2	30	60	4.8	3000
WM1-0310	120	3	10	30	9.6	1500
WM1-0315	120	3	15	45	6.4	2250
WM1-0320	120	3	20	60	4.8	3000
WM2-0205	240	2	5	10	115.2	500
WM2-0210	240	2	10	20	57.6	1000
WM2-0215	240	2	15	30	38.4	1500
WM2-0220	240	2	20	40	28.8	2000
WM2-0225	240	2	25	50	23.0	2500
WM2-0230	240	2	30	60	19.2	3000
WM2-0235	240	2	35	70	16.5	3500
WM2-0240	240	2	40	80	14.4	4000
WM2-0245	240	2	45	90	12.8	4500
WM2-0250	240	2	50	100	11.5	5000
WM2-0260	240	2	60	120	9.6	6000
WM2-0310	240	3	10	30	38.4	1500
WM2-0320	240	3	20	60	19.2	3000
WM2-0325	240	3	25	75	15.4	3750
WM2-0330	240	3	30	90	12.8	4500
WM2-0340	240	3	40	120	9.6	6000

3.4 WinterGard Mesh Installation

All connections and electrical testing should be carried out by a qualified electrician.

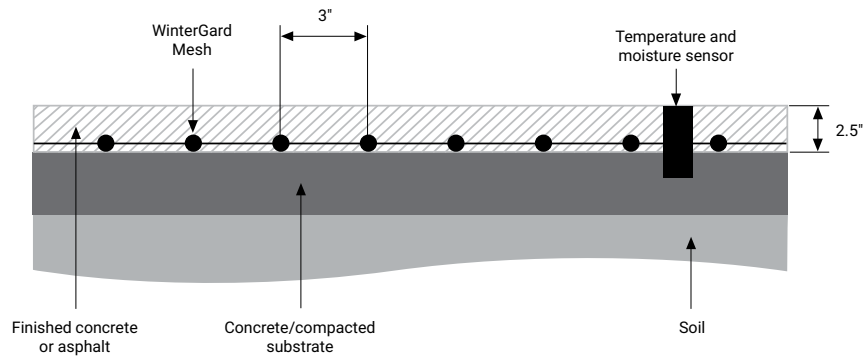
- For irregularly shaped areas, it is acceptable to cut the mesh and adjust the heating element position in order to achieve good coverage. See illustrative examples on page 13.
- The heating element must not be cut or damaged
- The heating element must not be crossed over itself
- The heating element must not be installed within 3" (7.6cm) of another section of heating element or 1" from the cold leads
- WinterGard Mesh must not be installed across expansion joints, across separate concrete slabs. Crack control joints may be crossed as shown in the figure.



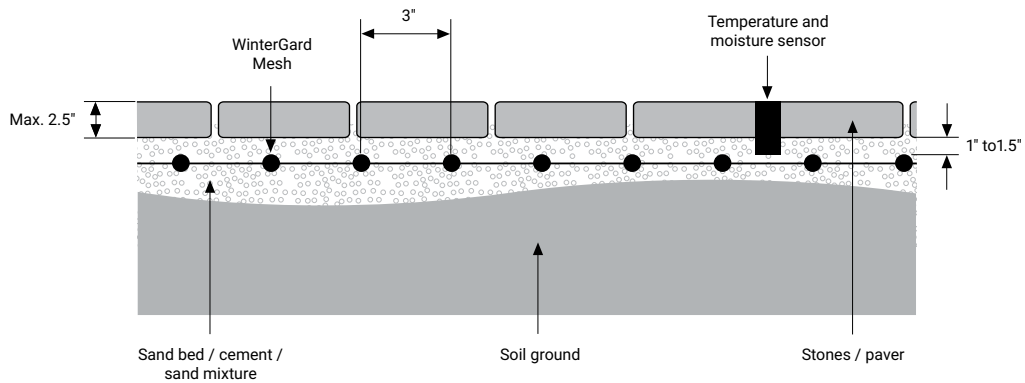
- Minimum wire spacing is 3" (7.6cm)
- Maximum exposure temperature for WinterGard Mesh: 221°F (105°C) (for asphalt pouring, short term exposure up to 464°F (240°C) is allowed).
- The mesh must be secured to the underlaying surface to prevent movement during the installation. The cold lead cable must be protected in a conduit. The entire length of heating wire should be covered by wet sand-cement mixture, concrete, limestone screening, dry sand, or asphalt depending on the selected top surface.

Installation Overviews

Installation in concrete or asphalt



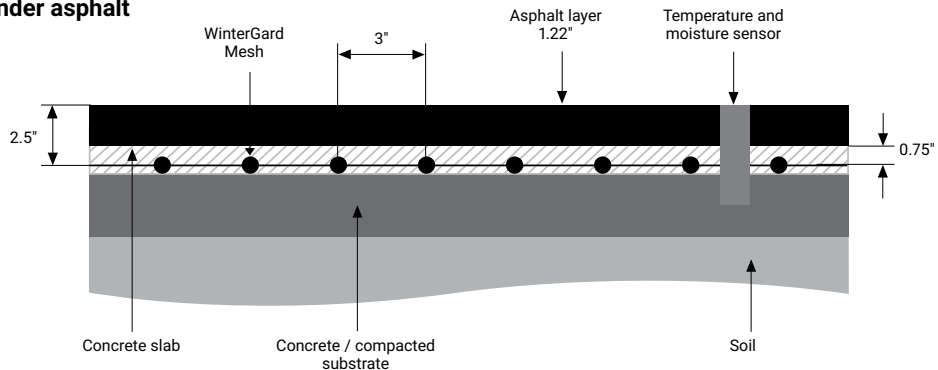
Installation under pavers



- For installation under pavers (stone or brick), ensure that there is a solid base of 4" to 8" (102 mm to 203 mm) of crushed rock aggregate base and that it is tamped down and prepared for the mortar pour. The sand or concrete layer directly above WinterGard Mesh should be hand tamped only.

⚠ IMPORTANT: Do not use sand for sloping areas since the sand will be washed away, resulting in damage to the heating wire.

Installation under asphalt

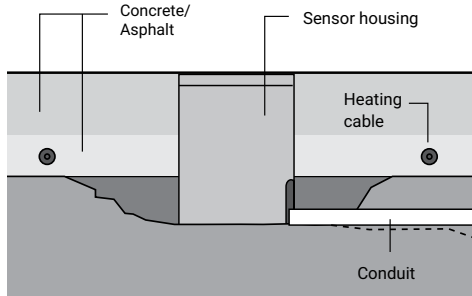


⚠ WARNING: Do not use any heavy equipment, machinery, or vehicles on top of an exposed WinterGard Mesh system.

⚠ WARNING: If the heating element needs to be loosened from the mesh to achieve good coverage, the installer should use spacers to keep the heating element spacing consistent.

Step 1: Install the sensor lead

The sensor lead should be routed through a conduit in the layer below the heating system.

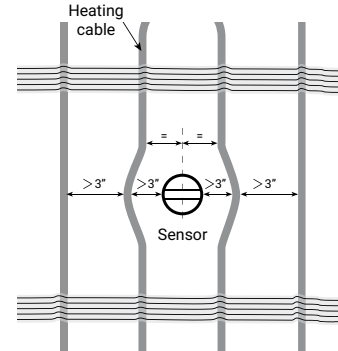


Step 2: Make provisions for installation of the temperature/moisture sensor

For sensors comprising a separate housing and sensor, install only the housing at this stage. For sensors without a separate housing, use a spacer the same size as the sensor (such as a wooden block) to create a void for the sensor to be installed into later.

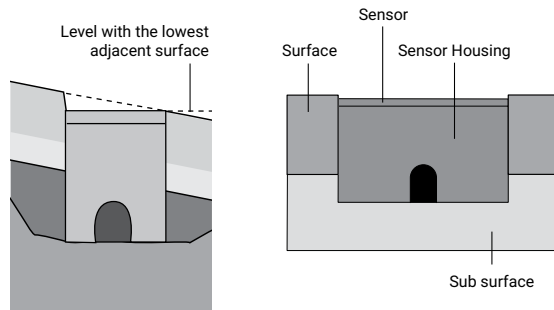
The sensor housing or spacer should be placed mid-way between heating elements in an open area, away from trees, bushes, or other obstructions that would prevent precipitation from falling directly on the sensor.

Support the sensor housing or spacer so that it will be vertical and level with the lowest point of the adjacent surface.



Step 3: Complete the layer below the heating system

Install the subsurface materials in accordance with applicable building and electrical codes.

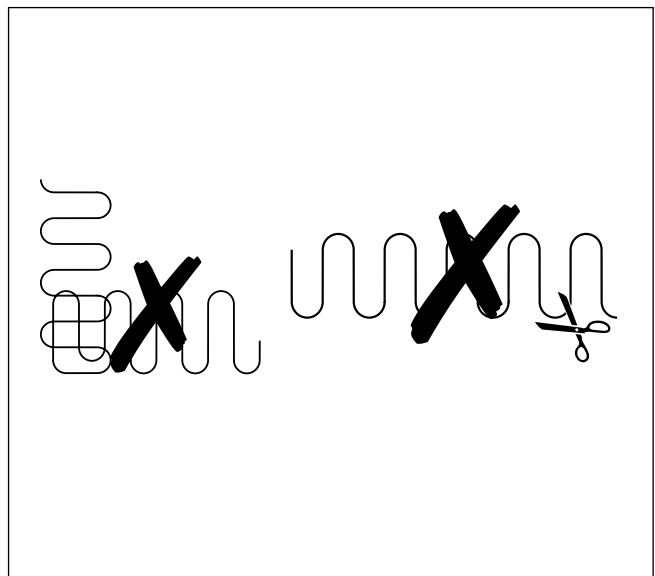
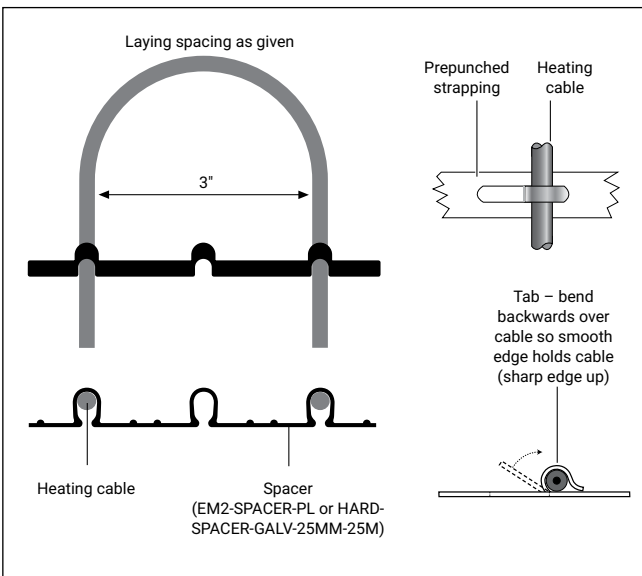
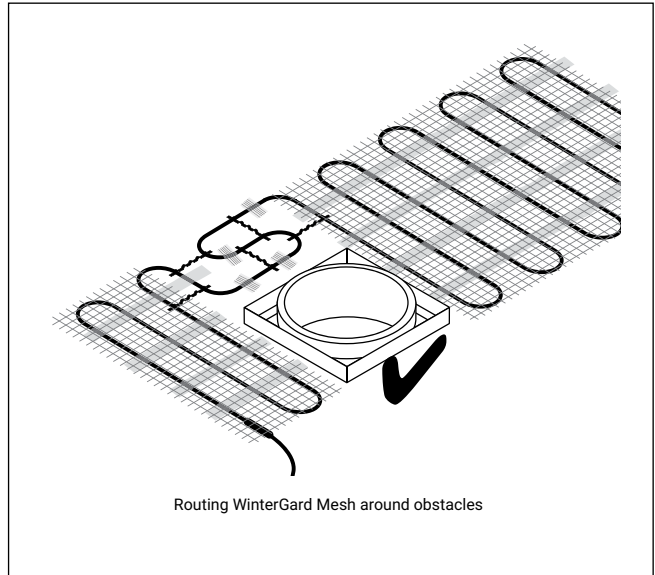
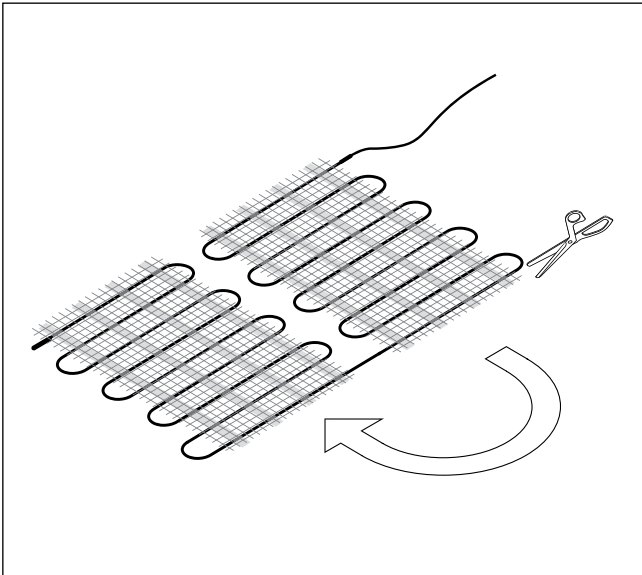
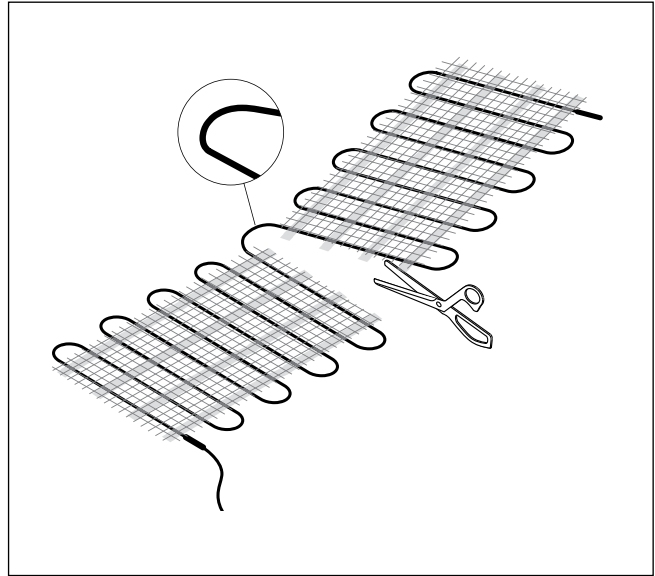
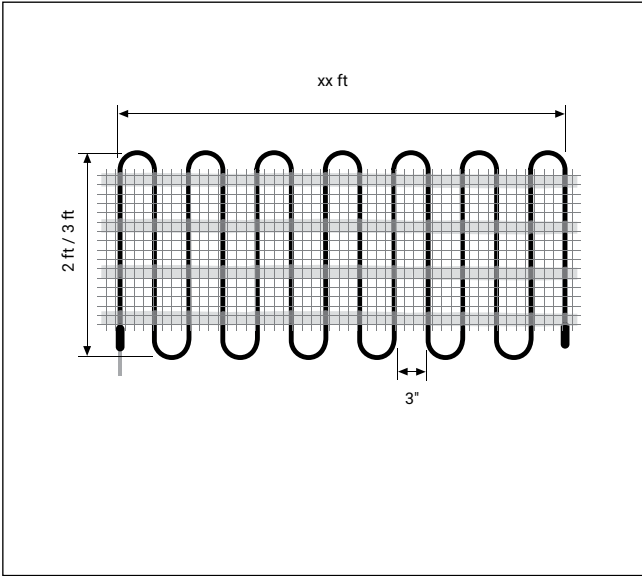


Step 4: Perform Conductor Resistance and Insulation Resistance Tests as described in section 3.3

Carry out the resistance tests on each circuit to ensure the product is within spec prior to installation.

Record the values for each circuit on the Installation and Inspection Record.

Step 5: Install WinterGard Mesh throughout the heated area



Step 6: Inspect the heating system

- Visually check the heating system for damage.
- Verify that any loose heating cable is secured with spacers.
- Verify that the correct cable spacing of 3" (7.6 cm) has been maintained and that the heating cable is being kept away from sharp edges and not crossing expansion joints or across separate slabs. If applicable, verify that the heating cable is protected when crossing a crack control joint.
- Verify that the heating system is installed at the correct depth throughout the heated area.
- Inspect the connection leads for correct installation.

Step 7: Complete a detailed sketch of the layout

Record the layout of each circuit, with particular reference to the position of the connection leads. Document the installation with photos.

Step 8: Perform conductor resistance and insulation resistance tests as described in section 3.3

Perform the resistance tests on each circuit to detect any damage that may have occurred during installation.

Record the values for each circuit on the Installation and Inspection Record in Section 7.

Step 9: Install the surface materials

Install concrete, asphalt, or pavers in accordance with applicable building and electrical codes.

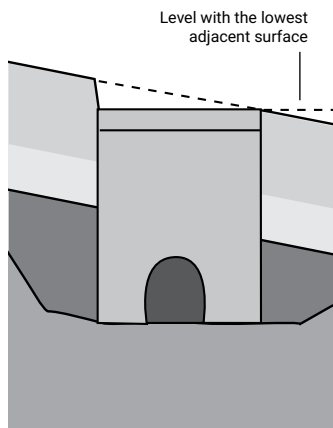
Step 10: Perform conductor resistance and insulation resistance tests as described in section 3.3

Perform the resistance tests on each circuit to detect any damage that may have occurred after installation.

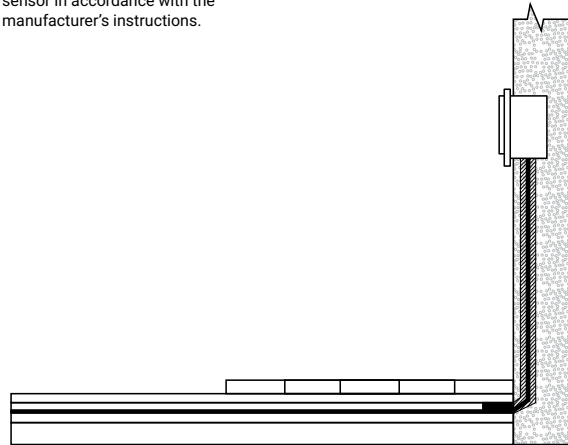
Record the values for each circuit on the Installation and Inspection Record in Section 7.

Step 11: Connect and install the moisture sensor if applicable

Install the moisture sensor in accordance with the manufacturer's instructions. Ensure the sensor is mounted vertically and supported at the correct height so the top of the sensor is level with the lowest adjacent surface.

**Step 12: Connect and install the temperature sensor if applicable**

Install the temperature sensor in accordance with the manufacturer's instructions.

**Step 13: Complete wiring and install control and monitoring equipment**

Install panels, control units, thermostats and manual control equipment in accordance with the manufacturers' instructions.

Step 14: Perform final system inspection and tests

- Inspect all wiring for conformance to design drawings.
- Verify that all protection devices have the correct rating.
- Perform controller checks in accordance with the manufacturer's instructions.
- Complete required testing in accordance with applicable building and electrical codes.

Step 15: Documentation

The installer must supply the operator/owner with the layout drawing and a copy of the Installation and Inspection Record.

4. SYSTEM OPERATION

Operate the system in accordance with the control and monitoring instructions.

5. SYSTEM MAINTENANCE

The system has no moving parts and therefore requires minimum maintenance. Refer to and comply with applicable codes and requirements for the maintenance of electrical equipment. Test all ground-fault breakers per manufacturer's instructions. Periodically inspect the system controls by operating them to ensure that they function correctly.

6. SYSTEM TROUBLESHOOTING

Trouble Shooting Guide

⚠ WARNING: Disconnect all power before working on any part of the electrical system.

Symptom	Probable Causes	Corrective Action
Insulation resistance less than expected	<ol style="list-style-type: none">1. Rain or high humidity.2. Nicks or cuts in heating wire or cold lead, with moisture present.3. Kinked or crushed heating wire or cold lead.4. Physical damage to heating wire or cold lead is causing a direct short from conductor to sheath.5. Presence of moisture in terminations or connections.6. Damaged termination.	<ol style="list-style-type: none">(1) Dry tails and face of seal. Inspect power connection box for moisture or signs or tracking. Dry out connections and retest.(2, 3) Fault locate to find damaged section of wire. If damaged, repair or replace heating wire or cold lead.(4) Check for visual indications of damage around any area where there may have been maintenance work. Look for cracked or damaged concrete or asphalt or any evidence of work on the slab surface. Repair or replace damaged sections of heating wire, cold lead or terminations.(5) Dry out cold lead and/or connections and replace termination if necessary.(6) Replace termination.
Resistance lower than expected	<ol style="list-style-type: none">1. Conductor(s) shorted to sheath between the termination and the end seal.2. Both conductors shorted together between the termination and the end seal.	<ol style="list-style-type: none">(1, 2) Fault locate to find damaged section of wire. Repair or replace damaged sections of heating wire.
Resistance is infinite	<ol style="list-style-type: none">1. Conductor is open circuited.	<ol style="list-style-type: none">(1) Fault locate to find damaged section of wire. Repair or replace damaged sections of heating wire, cold lead, or terminations.
Resistance is zero	<ol style="list-style-type: none">1. Conductor(s) shorted to sheath at termination or hot/cold splice.	<ol style="list-style-type: none">(1) Fault locate to find damaged section of wire. Repair or replace damaged hot/cold splice or termination.
Circuit breaker trips	<ol style="list-style-type: none">1. Circuit breaker undersized.2. Defective circuit breaker.3. Short circuit in electrical connections.4. Excessive moisture in connection boxes.5. Nicks or cuts in heating wire or cold lead, moisture present.6. Kinked or crushed heating wire or cold lead.7. GFEP device trip level too low (5 mA used instead of 30 mA) or miswired.	<ol style="list-style-type: none">(1) Recalculate circuit load current. Resize breaker and wiring as required.(2) Repair or replace breaker.(3) Locate and repair the incorrect connections.(4) Install drains in connection boxes as required. Dry cold lead and replace terminations if required.(5,6) Fault locate to find damaged section of wire. Repair or replace damaged sections of heating wire, cold lead, or terminations.(7) Replace 5 mA GFEP device with 30 mA GFEP device. Check the GFEP wiring instructions.



EN

CF

Symptom	Probable Causes	Corrective Action
Power output appears correct but snow and ice is slow to melt.	<ol style="list-style-type: none"> 1. Slab temperature sensor or slab sensing thermostat set incorrectly. 2. Thermal time delay. 3. Weather conditions too severe for design. 4. Inadequate watt density (W/sq ft; W/sq m). 5. Wrong WinterGard Mesh installed. 	<ol style="list-style-type: none"> (1) Set sensor control or thermostat to 50°F (10°C). (2) WinterGard Mesh not energized soon enough. Check system controls. Adjust or modify operation. (3) After snowfall ceases, manually energize system to melt remaining snow. (A typical Surface Snow Melting System is not designed to effectively melt all snow during the severest storms). (4,5) Verify installation as per design. Contact nVent for assistance.
Power output is zero or incorrect	<ol style="list-style-type: none"> 1. Snow melting controller inoperative. 2. Slab sensing thermostat inoperative. 3. Slab sensing thermostat wired in the normally open (N.O.) position. 4. No input voltage. 5. Broken or damaged heating wire, cold lead, or hot/cold joint. 6. Circuit breakers tripped. 7. Improper voltage used. 8. Wrong WinterGard Mesh installed. 9. Sensors wired to the incorrect terminals or are not making contact. 	<ol style="list-style-type: none"> (1) Verify electrical connections to snow melting controller and sensor, verify supply voltage to controller, verify operation, and repair or replace controller or sensor if necessary. (2) Verify electrical connections to thermostat, verify operation, and repair or replace thermostat if necessary. (3) Confirm wiring using the normally closed (N.C.) terminals so that contacts close with falling temperature. (4) Repair electrical supply lines and equipment. (5) Repair or replace heating wire or cold lead. (6) See above symptom under "Circuit breaker trips." (7) Verify voltage and connect to proper voltage, if necessary. (8) Verify installation as per design. Contact nVent for assistance. (9) Verify sensors are wired to the correct terminals and the conductors are making contact.

⚠ IMPORTANT: If the corrective actions above do not resolve the problem, contact your nVent representative for further assistance.

7. INSTALLATION AND INSPECTION RECORD

Facility _____

Test Date: _____

Circuit number: _____

Mesh catalog number: _____

Controllers: _____

Temperature setting if applicable: _____

Commission

Inspection date: _____

Visual inspection

Confirm 30-mA ground-fault device (proper rating/function) _____

Visual inspection inside connection boxes for overheating, corrosion, moisture, loose connections, and other problems. _____

Proper electrical connection _____

Check controllers for moisture, corrosion, setpoint, switch operation. _____

Insulation resistance test	M-Ohms	Test #1 before installation	Test #2 during installation	Test #3 after installation
Conductor to ground wire	500 Vdc			
	1000 Vdc			
	2500 Vdc			

Continuity (Resistance) Test	Ohms	Test #1 before installation	Test #2 during installation	Test #3 after installation
Conductor to conductor				

Power check

Circuit voltage _____

Panel (Vac) _____

Circuit amps after 5 minutes (Amps) _____

TABLE DES MATIÈRES

Mises en garde et avertissements importants	18
1. Informations générales	19
1.1 Utilisation du manuel	19
1.2 Applications du WinterGard Mesh	19
1.3 Lignes directrices en matière de sécurité	19
1.4 Codes de l'électricité.....	19
1.5 Homologations	19
1.6 Garantie	20
1.7 Numéros de catalogue du WinterGard Mesh	20
2. Pièces et équipement nécessaires	21
2.1 Entretoise, boîte de jonction, câble d'alimentation et panneau d'avertissement	21
2.2 Contrôleur	21
2.3 Panneaux	21
2.4 Conduits.....	21
2.5 Appareillage de commande électrique	21
2.6 Entreposage du WinterGard Mesh	21
2.7 Équipement nécessaire pour les tests	21
3. Directives et procédures d'installation	22
3.1 Surface à chauffer	22
3.2 Préparation de la sous-couche.....	23
3.3 Tests de résistance des conducteurs et de résistance d'isolation	23
3.4 Installation du WinterGard Mesh.....	24-28
4. Fonctionnement du système	29
5. Entretien du système	29
6. Dépannage du système	29
7. Fiche d'installation et d'inspection	30



EN

CF



EN

CF

Français Canadien

MISES EN GARDE ET AVERTISSEMENTS IMPORTANTS

AVERTISSEMENT : RISQUES D'INCENDIE ET DE CHOCS ÉLECTRIQUES

Les systèmes de fonte de neige de surface du WinterGuard Mesh nVent RAYCHEM doivent être installés correctement pour afin d'assurer leur bon fonctionnement et d'éviter les risques d'incendie ou de chocs électriques. Lisez attentivement les mises en garde suivantes et suivez les instructions d'installation soigneusement.

- La température d'installation minimale du système de fonte de neige de surface du treillis WinterGard Mesh est de 23 °F (-5 °C).
- Le système de fonte de neige de surface du WinterGard Mesh est classé résistant aux intempéries et convient aux installations dans les zones humides (-WS).
- Les homologations et la performance des systèmes de fonte de neige de surface du WinterGuard Mesh dépendent de l'utilisation de composants et d'accessoires homologués.
- Afin d'éviter d'endommager le système de chauffage, ne le mettez pas sous tension tant qu'il n'a pas été complètement intégré dans le revêtement et que l'installation n'est pas terminée.
- Un disjoncteur différentiel de fuite à la terre de 30 mA doit être utilisé sur chaque circuit de dérivation avec ce système de chauffage afin de minimiser le risque d'incendie et de se conformer aux exigences des garanties nVent, des certifications et des codes électriques nationaux. Une protection de circuit conventionnelle n'empêchera pas forcément la formation d'un arc électrique.
- Les câbles chauffants doivent être situés à au moins 1,3 cm (1/2 po) de toute surface combustible.
- Le rayon de courbure minimum du câble chauffant est de 3 po (7,6 cm). Les câbles chauffants ne doivent pas se toucher, se croiser ou se chevaucher.
- Mettez le système de chauffage hors tension avant toute installation ou entretien.
- Le système de chauffage doit être correctement mis à la terre conformément aux codes électriques en vigueur.
- Les extrémités doivent être gardées au sec avant, pendant et après l'installation.
- Des systèmes chauffants endommagés peuvent provoquer des arcs électriques et des incendies. Si les câbles chauffants ou les extrémités sont endommagés, ils doivent être réparés ou remplacés. Contactez le service à la clientèle de nVent pour obtenir de l'aide.
- Les barres d'armature, treillis métalliques ou autres matériaux conducteurs utilisés pour soutenir le système de chauffage ou sur lequel ceux-ci sont installés doivent être mis à la terre conformément à la norme CSA C22.1, section 10 ou au Code national de l'électricité, selon le cas.
- Les mégohmmètres fonctionnent à haute tension. Cette tension est dangereuse et peut-être mortelle. Lisez et suivez toutes les instructions fournies avec l'instrument que vous utilisez.
- N'installez pas le système de fonte de neige de surface WinterGard Mesh dans des zones commerciales très fréquentées.

1. INFORMATIONS GÉNÉRALES

1.1 Utilisation du manuel

Ce manuel couvre les procédures d'installation, les tests et l'entretien des systèmes de fonte de neige du WinterGard Mesh nVent RAYCHEM, des accessoires et des commandes pour la fonte de neige de surface dans le béton, l'asphalte, le sable ou les couches de calcaire sous les pierres de pavage*.

Ce manuel suppose qu'un modèle adéquat de système de fonte de neige ou de déglçage a été installé conformément aux recommandations de nVent. Seules les applications décrites dans ce manuel sont approuvées par nVent pour les systèmes de fonte de neige de surface du WinterGard Mesh nVent RAYCHEM et seulement lorsqu'elles sont utilisées avec des accessoires homologués.

Les instructions contenues dans ce manuel et les consignes d'installation qui accompagnent les systèmes de contrôle, les systèmes de distribution électrique et les accessoires doivent être suivies pour que la garantie de nVent s'applique.

Pour une assistance à la conception, un soutien technique ou des renseignements sur d'autres applications non présentées ici, veuillez communiquer avec votre représentant nVent ou avec nVent directement.

nVent

7433 Harwin Drive
Houston, TX 77036
ÉTATS-UNIS
Tél. +1.800.545.6258
Fax +1.800.527.5703
thermal.info@nVent.com
nVent.com/RAYCHEM

⚠ Important : Pour que la garantie de nVent et les homologations des agences s'appliquent, les instructions fournies dans ce manuel, ainsi que dans les emballages du produit doivent être suivies.

* Une autorisation spéciale est requise de l'autorité compétente ayant juridiction pour les applications de fonte de neige sur pavés.

1.2 Applications du WinterGard Mesh

Fonte de neige de surface : Les systèmes de fonte de neige de surface empêchent l'accumulation de neige sur les rampes, les dalles et les allées dans des conditions d'enneigement typiques.

Déglçage : Les systèmes de déglçage maintiennent la température de la surface au-dessus du point de congélation pour empêcher la formation de glace.

1.3 Lignes directrices en matière de sécurité

Comme avec tout équipement électrique, la sécurité et la fiabilité de tout système dépendent de la qualité des produits sélectionnés ainsi que de la façon dont ils sont installés et entretenus. Une mauvaise conception, une manipulation inappropriée, l'installation ou l'entretien inadéquats de tout composant du système pourrait endommager le système de déneigement de surface et entraîner un déneigement inadéquat, une décharge électrique ou un incendie. Pour réduire ces risques et assurer un fonctionnement fiable du système, lisez attentivement les informations, avertissements et instructions présentés dans le guide et suivez-les à la lettre.

Accordez une attention particulière aux éléments suivants :

- Les instructions importantes sont repérées par le terme **⚠ Avertissement**
- Les avertissements portent la mention **⚠ AVERTISSEMENT**

1.4 Codes de l'électricité

L'article 426 du Code National de l'Électricité américain (NEC) et l'article 62 du Code Canadien de l'Électricité (CCE) régissent l'installation de systèmes fixes de fonte de neige de surface et de déglçage à l'extérieur. Toutes les installations doivent être conformes à ces codes et à tout autre code national et local en vigueur.

1.5 Homologations

Les systèmes du WinterGard Mesh sont agréés pour une utilisation dans les zones non dangereuses uniquement.

1.6 Garantie

nVent garantit tous les systèmes du WinterGuard Mesh nVent RAYCHEM contre les défauts de fabrication et l'utilisation de matériaux défectueux pendant deux (2) ans à compter de la date d'achat. Cette garantie ne peut être modifiée que par un document écrit signé par un agent dûment autorisé de nVent. Le seul recours de l'acheteur en vertu de cette garantie consiste à ce que nVent, dans un délai raisonnable, répare le produit ou fournisse un produit de remplacement ou encore crédite le compte de l'acheteur pour ledit produit et en accepte le retour, selon l'éventualité retenue par nVent et ce, à sa seule discrétion. nVent ne doit en aucun cas être tenue responsable du coût de la dépose ou de l'installation, de tout dommage ou perte de jouissance des lieux ou de toute autre propriété, de toute perte de revenu, de toute perte de l'utilisation des revenus, de la perte de profits anticipés ou de tout dommage ou coût de quelque nature que ce soit, qu'il s'agisse de dommages directs, indirects, accessoires ou consécutifs. En dépit de ce qui précède, nVent n'assume aucune responsabilité à moins que :

(a) L'acheteur avise rapidement nVent par écrit après avoir découvert toute non-conformité présumée et fournit une explication détaillée de ladite non-conformité présumée; (b) L'acheteur retourne sans tarder les produits à l'attention de nVent, port payé, à l'adresse obtenue en appelant le service à la clientèle au 1-800-545-6258 ou 650-216-1526 ; et (c) l'examen effectué par nVent desdits produits établit, à la satisfaction de nVent, que les non-conformités présumées existent réellement et sont survenues suite à l'utilisation normale du produit, non pas suite à un accident, à une mauvaise utilisation, à de la négligence, à une modification, à une réparation ou une vérification ou toute autre cause ne relevant pas du champ de responsabilité de nVent en vertu de la présente garantie limitée. LA PRÉSENTE GARANTIE TIENT LIEU DE TOUTE REPRÉSENTATION, GARANTIE OU CONDITIONS, EXPLICITES OU IMPLICITES, Y COMPRIS, SANS TOUTEFOIS S'Y LIMITER, TOUTE GARANTIE IMPLICITE DE QUALITÉ MARCHANDE, À LA CONFORMITÉ À UN USAGE PARTICULIER ET À L'ABSENCE D'INFRACTIONS, AINSI QUE TOUTE AUTRE OBLIGATION OU RESPONSABILITÉ DE LA PART DE nVent, QUE CE SOIT PAR RÈGLEMENT, CONTRAT, RESPONSABILITÉ STRICTE, DÉLIT OU AUTRE. Si les produits sont considérés comme un produit de consommation dans la juridiction de l'acheteur, les exclusions et limitations décrites ci-dessus en lien avec les dommages accessoires ou indirects, ainsi que la clause de non-responsabilité des garanties implicites, ne s'appliquent pas forcément. Les modalités d'une telle garantie implicite sont limitées aux modalités de la présente garantie de deux (2) ans. Certaines juridictions ne permettent pas de limitation sur la durée d'une garantie implicite, dans de tels cas, ces limites peuvent ne pas s'appliquer à vous. Cette garantie donne au consommateur des droits légaux spécifiques et ce dernier peut avoir d'autres droits, lesquels peuvent différer selon la juridiction.

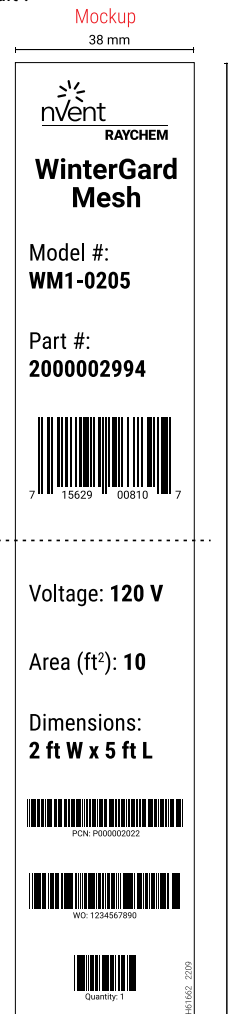
1.7 Numéros de catalogue du WinterGard Mesh

Le numéro de catalogue du WinterGard Mesh décrit les caractéristiques du produit comme suit :

WM[a]-[bb][cc]

- WM = WinterGard Mesh
- [a] = tension
 - o 1 = 120 V
 - o 2 = 240 V
- [bb] = largeur (pi)
 - o 02 = 2 pi
 - o 03 = 3 pi
- [cc] = longueur (pi)
 - o 05 = 5 pi
 - o 10 = 10 pi
 - o 15 = 15 pi
 - o 20 = 20 pi
 - o 25 = 25 pi
 - o 30 = 30 pi
 - o 35 = 35 pi
 - o 40 = 40 pi
 - o 45 = 45 pi
 - o 50 = 50 pi
 - o 60 = 60 pi
- Surface couverte (pi²) = largeur x longueur
- Puissance (W) = surface couverte (pi²) x 50 W/pi²

Par exemple le no. de catalogue WM1-0205 est utilisé pour un système de 120 Volts, 2 pi de long, 5 pi de large, surface de 10 pi², 500 Watts.



2. PIÈCES ET ÉQUIPEMENT NÉCESSAIRES

2.1 Entretien, boîte de jonction, câble d'alimentation et panneau d'avertissement

Lorsqu'il est nécessaire de desserrer le câble chauffant du treillis (Mesh), les bandes de plastique (modèle EM2-SPACER-PL) aideront à maintenir le bon espacement de 3 po (7,6 cm). Pour une couche d'asphalte, l'entretoise métallique (modèle HARD-SPACER-GALV-25MM-25M) doit être utilisée. Une boîte de jonction doit être utilisée pour rallonger les câbles d'entrée froide. La connexion entre le panneau de commande et la boîte de jonction est réalisée par un câble d'alimentation approprié.

Pour une installation dans l'asphalte, les câbles des capteurs doivent être protégés par un conduit métallique ou posés sous la couche d'asphalte dans le substrat du dessous. Le conduit doit être scellé à l'extrémité afin que l'asphalte ne puisse pas s'infiltrer. Assurez-vous que le câble chauffant et les terminaisons d'épissure et de joint d'extrémité sont complètement enveloppés par l'asphalte et sans poches d'air. Laisser l'asphalte refroidir à une température de 212°F (100°C) ou moins avant de le couler à 30 po (76 cm) ou moins des terminaisons. Ces travaux doivent être effectués avant de couler l'asphalte sur toute la surface.

Il est recommandé d'utiliser au minimum un panneau d'avertissement de fonte des neiges (modèle SMCS ou SMCS-CF) par système.

2.2 Contrôleur et Capteurs

nVent propose des unités de contrôle spécialement conçues pour l'application de fonte de neige de surface. Certaines incorporent des capteurs combinés de température et d'humidité afin de garantir un fonctionnement efficace du système.

No. Catalogue	Description
EC-TS	Thermostat électronique réglable pour la détection de température ambiante, du conduit ou des dalles
PD-PRO	Contrôleur automatique de fonte de neige et de glace à utiliser avec les capteurs Snow Owl, GIT-1 et SIT-6E (vendus séparément)
GF-PRO	Contrôleur automatique de fonte de neige et de glace avec GFEP pour une utilisation avec les capteurs Snow Owl, GIT-1 et SIT-6E (vendus séparément)
RCU-3	Télécommande à utiliser avec PD-Pro, APS-3C ou EUR-5A
RCU-4	Télécommande à utiliser avec GF-Pro, APS-4C ou SC-40C
LCD-8	Interrupteur de neige aérien
Snow Owl Sensor	Capteur de neige aérien Snow Owl (à utiliser avec PD-PRO ou GF-PRO)
SIT-6E	Capteur de neige monté sur la chaussée

2.3 Conduits

Des conduits d'au moins 3/4 po (1,9cm) de diamètre (non inclus) sont nécessaires pour protéger le câble d'entrée froide et le fil de connexion du capteur.

2.4 Protection contre les fuites à la terre

Utilisez des disjoncteurs qui intègrent une protection contre les fuites à la terre de 30 mA ou qui fournissent des niveaux équivalents de protection contre les fuites à la terre. Afin de réduire le risque d'incendie dû à un arc électrique continu si le fil chauffant est endommagé ou mal installé, et pour se conformer aux exigences des homologations des agences, de nVent et des codes électriques nationaux, une protection contre les fuites à la terre doit être utilisée sur chaque circuit de dérivation du câble chauffant. Un arc électrique peut ne pas être arrêté par une protection de circuit classique.

2.5 Entreposage du treillis WinterGard

Température de stockage : -40 °C à 45 °C (-40 °F à 113 °F) Rangez tous les éléments du système dans un endroit propre et sec.

2.6 Équipement nécessaire pour les tests

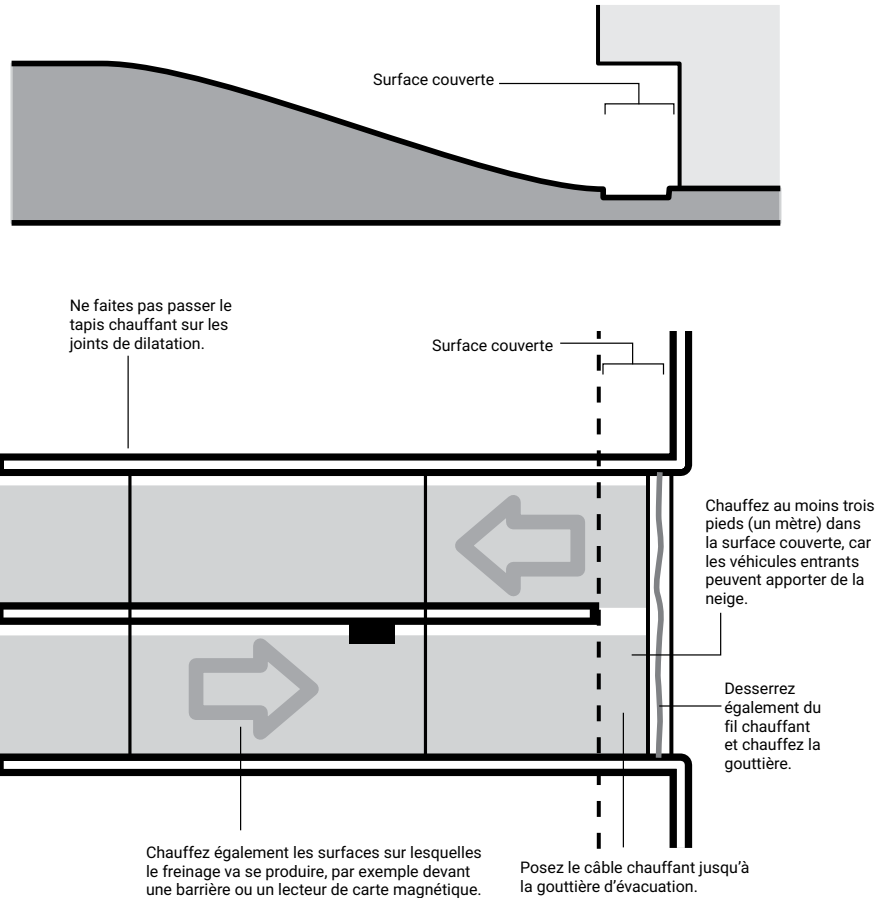
- Ohmmètre
- Mégohmmètre de 2500 Vdc

3. DIRECTIVES ET PROCÉDURES D'INSTALLATION

3.1 Surface à chauffer

Déterminez la surface exacte à chauffer et tenez compte des facteurs suivants :

- Assurez-vous que la surface à chauffer est conforme aux données du manuel de conception. Voir le tableau 1 à la page 10 pour la sélection des produits.
- Établissez l'emplacement des boîtes de jonction et assurez-vous que les câbles de connexion (16,4 pi (5 m)) sont suffisamment longs.
- Inspectez et nettoyez la surface avant l'installation, en enlevant les objets pointus qui peuvent endommager l'élément chauffant.
- L'élément chauffant ne doit pas être raccourci ou modifié.



Exemple de fonte de neige pour une rampe de stationnement

3.2 Préparation de la sous-couche

Le WinterGard Mesh doit être installé sur une sous-couche stable. Dans les structures suspendues, la surface supérieure peut être constituée de dalles finies, de béton précontraint ou d'une structure suspendue avec du béton coulé. Le WinterGard Mesh peut être posé sur tous les types de sous-couche tels que la terre, les criblures de pierre compactées, le sable ou le gravier.

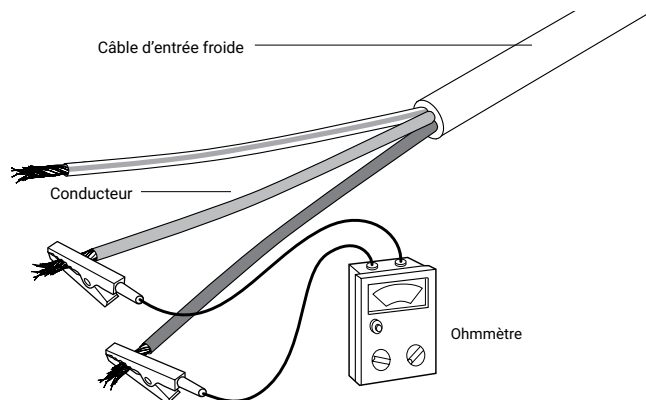
Dans le cas du béton coulé, assurez-vous que la sous-couche est lisse et que tous les objets pointus ont été enlevés. Les rampes construites sur une sous-couche solide ne nécessitent pas d'isolation thermique supplémentaire.

Des préparations adéquates doivent être réalisées pour l'installation du capteur de température et d'humidité.

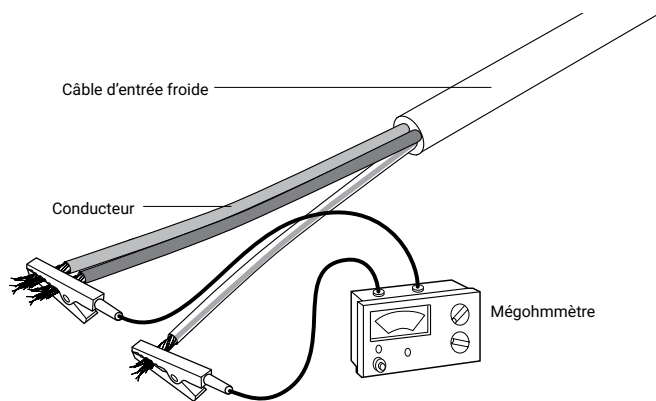
3.3 Tests de résistance des conducteurs et de résistance d'isolation

Testez le WinterGard Mesh en mesurant la résistance du conducteur et la résistance de l'isolant.

Testez la résistance du conducteur avec un ohmmètre. La résistance mesurée doit être comprise entre -5 % et +10 % des valeurs de résistance nominale indiquées dans le tableau 1 à la page 24.



Testez la résistance d'isolation (à l'aide d'un mégohmmètre) sous trois tensions : 500, 1000 et 2500Vdc. La lecture doit être de 100 Mohms ou plus.



Enregistrez toutes les valeurs mesurées sur la fiche d'installation et d'inspection incluse dans la Section 7.

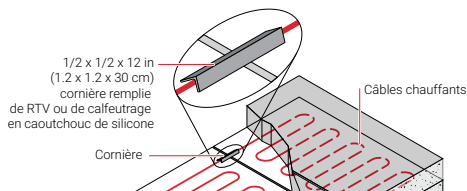
Tableau 1 : Sélection de produits de WinterGard Mesh

Numéro catalogue	Tension (V)	Largeur (pi)	Longueur (pi)	Surface (pi ²)	Résistance (Ω)	Puissance (W)
WM1-0205	120	2	5	10	28,8	500
WM1-0210	120	2	10	20	14,4	1000
WM1-0215	120	2	15	30	9,6	1500
WM1-0220	120	2	20	40	7,2	2000
WM1-0225	120	2	25	50	5,8	2500
WM1-0230	120	2	30	60	4,8	3000
WM1-0310	120	3	10	30	9,6	1500
WM1-0315	120	3	15	45	6,4	2250
WM1-0320	120	3	20	60	4,8	3000
WM2-0205	240	2	5	10	115,2	500
WM2-0210	240	2	10	20	57,6	1000
WM2-0215	240	2	15	30	38,4	1500
WM2-0220	240	2	20	40	28,8	2000
WM2-0225	240	2	25	50	23,0	2500
WM2-0230	240	2	30	60	19,2	3000
WM2-0235	240	2	35	70	16,5	3500
WM2-0240	240	2	40	80	14,4	4000
WM2-0245	240	2	45	90	12,8	4500
WM2-0250	240	2	50	100	11,5	5000
WM2-0260	240	2	60	120	9,6	6000
WM2-0310	240	3	10	30	38,4	1500
WM2-0320	240	3	20	60	19,2	3000
WM2-0325	240	3	25	75	15,4	3750
WM2-0330	240	3	30	90	12,8	4500
WM2-0340	240	3	40	120	9,6	6000

3.4 Installation du WinterGard Mesh

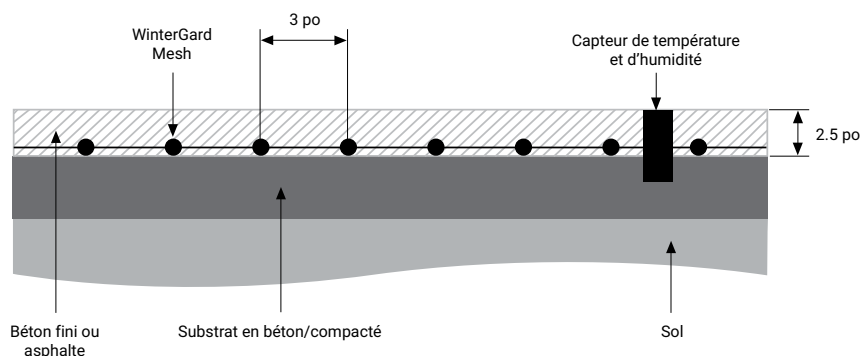
Toutes les connexions et les tests électriques doivent être effectués par un électricien qualifié.

- Pour les zones de forme irrégulière, il est acceptable de couper le treillis (Mesh) et d'ajuster la position de l'élément chauffant afin d'obtenir une bonne couverture
- L'élément chauffant ne doit pas être raccourci ou modifié
- L'élément chauffant ne doit pas être croisé sur lui-même
- L'élément chauffant ne doit pas être installé à moins de 3 po (7,6 cm) d'une autre section de l'élément chauffant ou à moins de 1 po des câbles d'entrée froide
- Le WinterGard Mesh ne doit pas être installé sur des joints de dilatation ou sur des dalles de béton séparées. Les joints de fissuration peuvent être croisés comme indiqué sur la figure

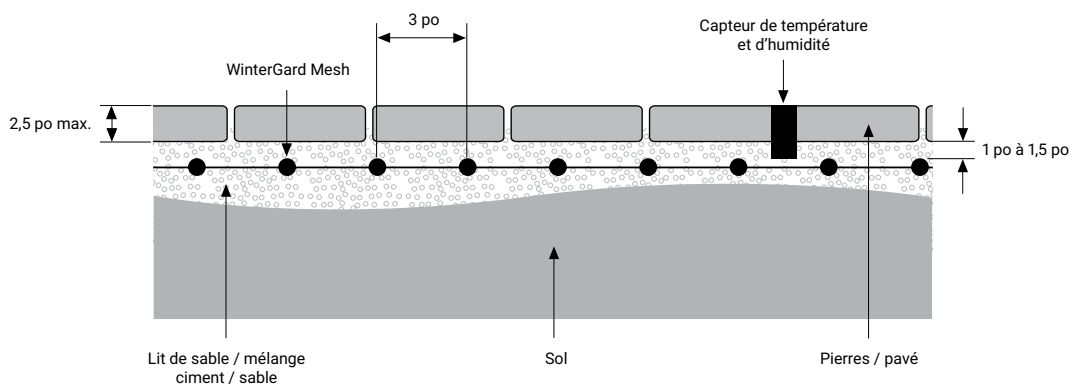


- L'espacement minimum des câbles est de 3 po (7,6 cm)
- Température d'exposition maximale pour WinterGard Mesh : 221 °F (105 °C). (Pour le coulage d'asphalte, une exposition à court terme jusqu'à 464 °F (240 °C) est autorisée.)
- Le treillis (Mesh) doit être attaché à la surface du dessous pour empêcher tout mouvement pendant l'installation. Le câble d'entrée froide doit être protégé dans un conduit. Toute la longueur du câble chauffant doit être recouverte d'un mélange sable-ciment humide, de béton, d'un criblage calcaire, de sable sec ou d'asphalte selon la surface supérieure choisie.

Installation dans le béton ou l'asphalte



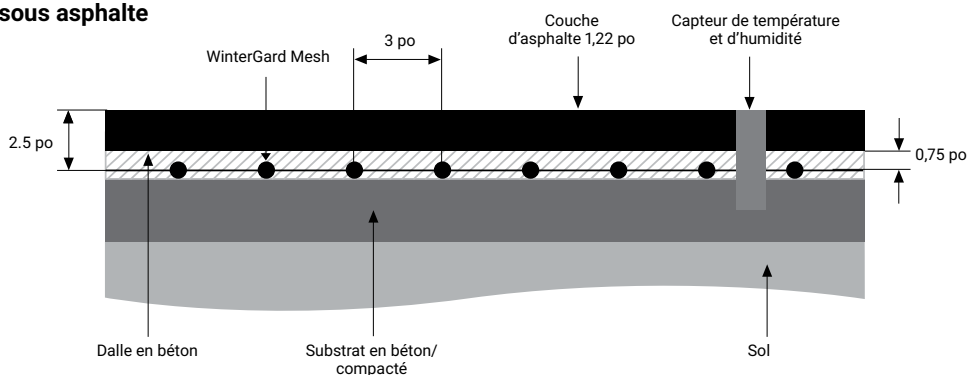
Installation sous les pavés



- Pour une installation sous des pavés (pierre ou brique), assurez-vous qu'il y a une base solide de 4 po à 8 po (102 mm à 203 mm) d'agrégats de pierre concassée et qu'elle est tassée et préparée pour le coulage du mortier. La couche de sable ou de béton directement au-dessus du WinterGard Mesh doit être tassée à la main uniquement.

⚠ IMPORTANT : N'utilisez pas de sable pour les zones en pente car le sable sera emporté, ce qui endommagerait le fil chauffant.

Installation sous asphalte

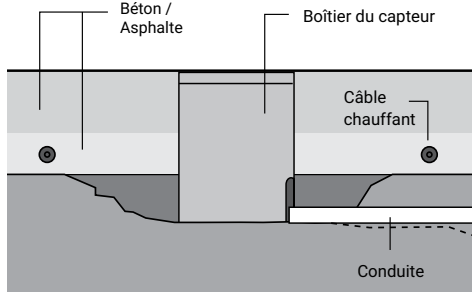


⚠ AVERTISSEMENT : N'utilisez pas d'équipement lourd, de machine ou de véhicule au-dessus d'un système WinterGard Mesh exposé.

⚠ AVERTISSEMENT : si l'élément chauffant doit être détaché du treillis (Mesh) pour obtenir une bonne couverture, l'installateur doit utiliser des entretoises afin de maintenir constant l'espacement entre l'élément chauffant.

Étape 1 : Installer le câble du capteur

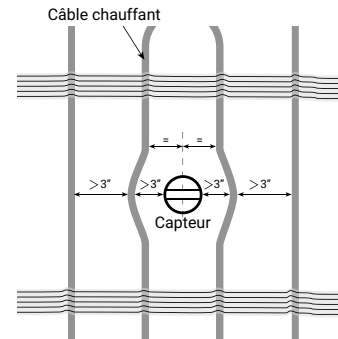
Le fil du capteur doit être acheminé à travers un conduit dans la couche sous le système de chauffage.



Étape 2 : Prendre des dispositions pour l'installation du capteur de température/d'humidité

Pour les capteurs comprenant un boîtier et un capteur séparés, installez uniquement le boîtier à ce stade. Pour les capteurs sans boîtier séparé, utilisez une entretoise de la même taille que le capteur (comme un bloc de bois) pour créer un vide dans lequel le capteur pourra être installé ultérieurement.

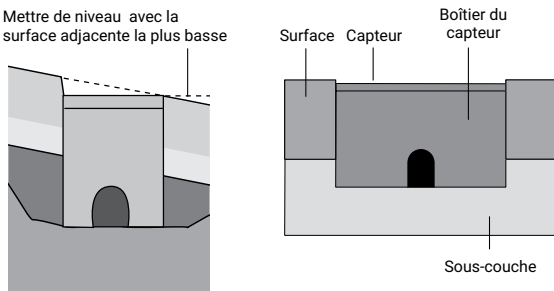
Le boîtier du capteur ou l'entretoise doit être placé à mi-chemin entre les éléments chauffants dans une zone dégagée, loin des arbres, buissons ou autres obstacles qui empêcheraient les précipitations de tomber directement sur le capteur. Soutenez le boîtier du capteur ou l'entretoise de manière à ce qu'il/elle soit vertical/e et au niveau du point le plus bas de la surface adjacente.



Étape 3 : Compléter la couche sous le système de chauffage

Installez les matériaux de sous-couche conformément aux codes du bâtiment et de l'électricité applicables.

Mettre de niveau avec la surface adjacente la plus basse

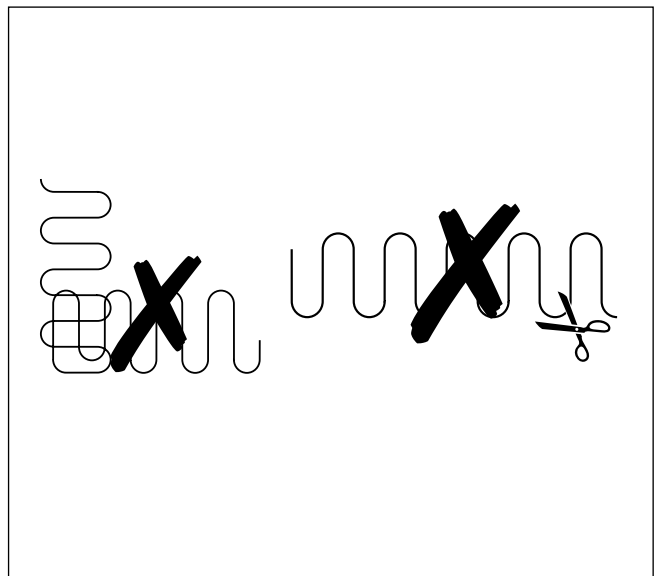
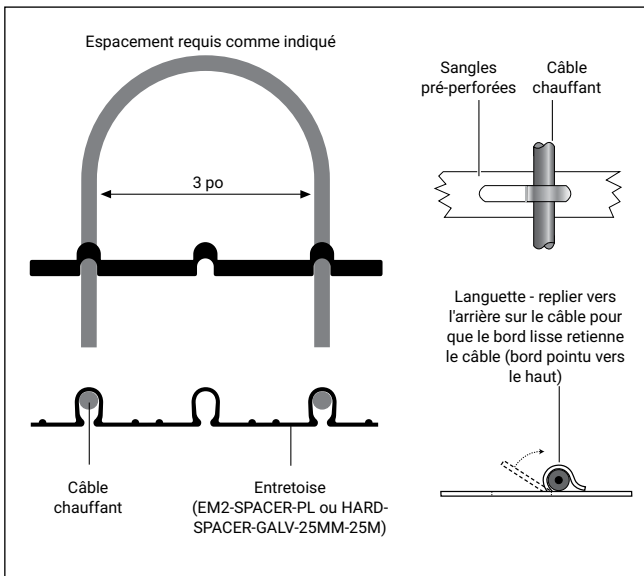
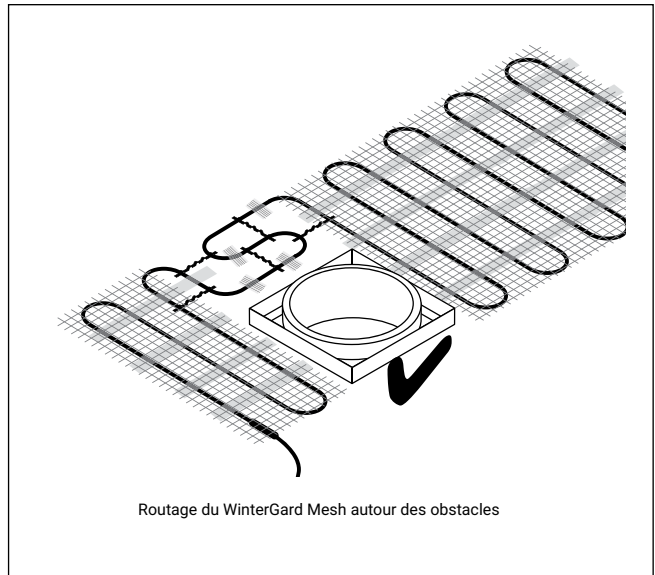
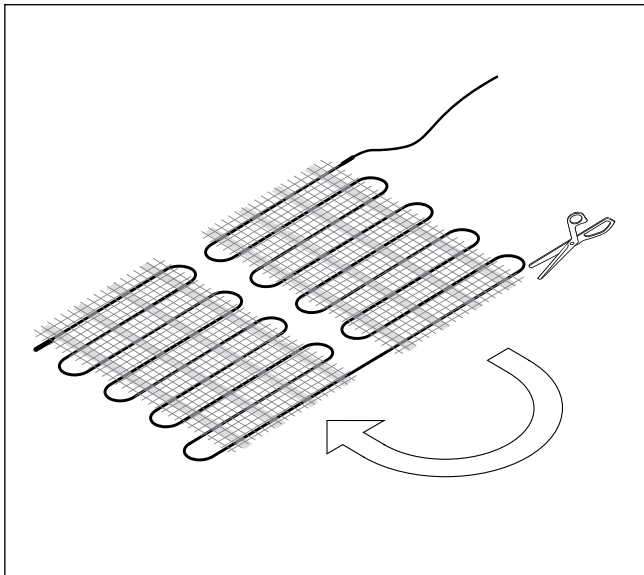
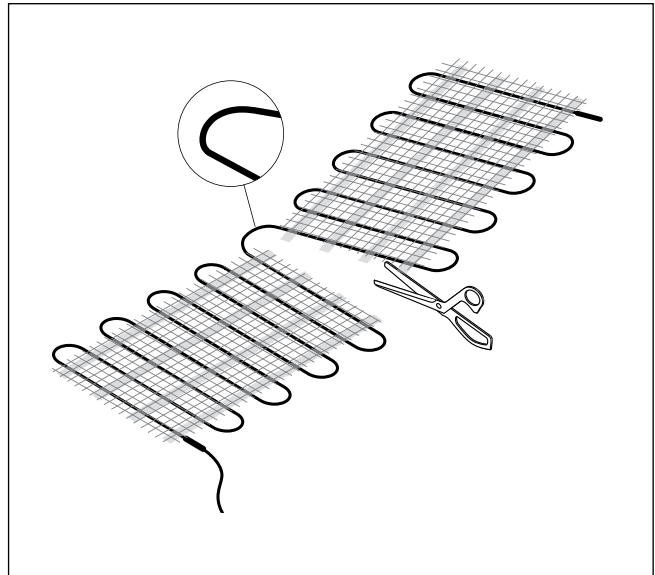
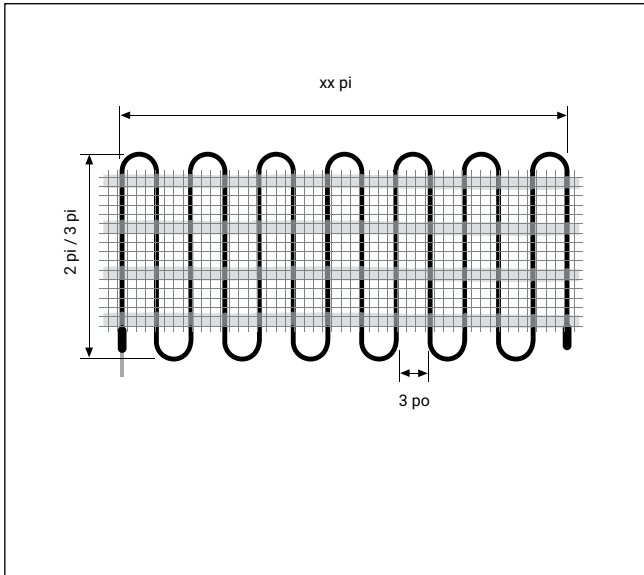


Étape 4 : Effectuer les tests de résistance de conducteur et de résistance d'isolation comme décrit dans la section 3.3

Effectuez les tests de résistance sur chaque circuit pour vous assurer que le produit est conforme aux spécifications avant l'installation.

Enregistrez les valeurs de chaque circuit sur la fiche d'installation et d'inspection incluse dans la Section 7.

Étape 5 : Installer le WinterGard Mesh sur toute la surface chauffée



Étape 6 : Inspecter le système de chauffage

- Vérifiez visuellement que le système de chauffage n'a pas été endommagé.
- Vérifiez que tout câble chauffant qui a été desserré est attaché avec des entretoises.
- Vérifiez que le bon espacement des câbles de 3 po (7,6 cm) a été maintenu et que le câble chauffant est tenu à l'écart des bords tranchants et ne traverse pas les joints de dilatation ou les dalles séparées. S'il y a lieu, vérifiez que le câble chauffant est protégé lors du franchissement d'un joint de fissuration.
- Vérifiez que le système de chauffage est installé à la bonne profondeur sur toute la surface chauffée.
- Inspectez les câbles de connexion et vérifiez que l'installation est correcte.

Étape 7 : Réaliser un croquis détaillé de la disposition

Enregistrez la disposition de chaque circuit, avec une référence particulière à la position des fils de connexion. Documentez l'installation avec des photos.

Étape 8 : Effectuer des tests de résistance de conducteur et de résistance d'isolation comme décrit dans la section 3.3

Effectuez les tests de résistance sur chaque circuit pour détecter tout dommage qui aurait pu se produire lors de l'installation.

Enregistrez les valeurs de chaque circuit sur la fiche d'installation et d'inspection incluse dans la Section 7.

Étape 9 : Installer les matériaux de surface

Installez le béton, l'asphalte ou les pavés conformément aux codes du bâtiment et de l'électricité en vigueur.

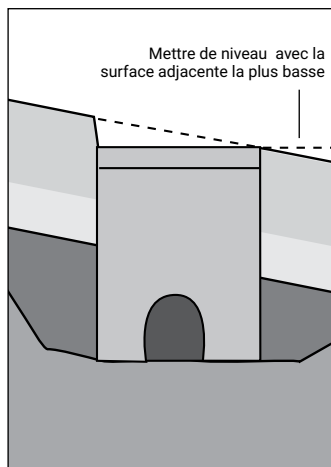
Étape 10 : Effectuer des tests de résistance de conducteur et de résistance d'isolation comme décrit dans la section 3.3

Effectuez les tests de résistance sur chaque circuit pour détecter tout dommage qui aurait pu se produire après l'installation.

Enregistrez les valeurs de chaque circuit sur la fiche d'installation et d'inspection incluse dans la Section 7.

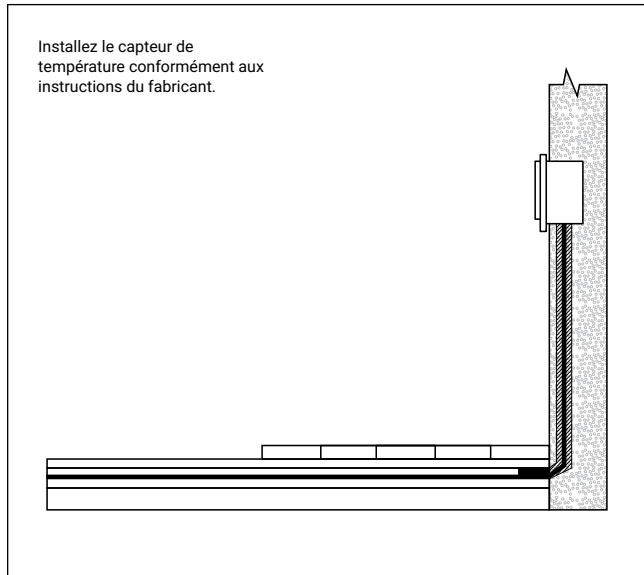
Étape 11 : Connecter et installer le capteur d'humidité, le cas échéant

Installez le capteur d'humidité conformément aux instructions du fabricant. Assurez-vous que le capteur est monté verticalement et soutenu à la bonne hauteur afin que le haut du capteur soit au même niveau que la surface adjacente la plus basse.



Étape 12 : Connecter et installer le capteur de température, le cas échéant

Installez le capteur de température conformément aux instructions du fabricant.



Étape 13 : Terminer l'installation de câbles et installer l'équipement de contrôle et de surveillance

Installez les panneaux, les unités de contrôle, les thermostats et les équipements de contrôle manuel conformément aux instructions des fabricants.

Étape 14 : Effectuer l'inspection et les tests finaux du système

- Vérifiez la conformité de tous les câbles avec les dessins de conception.
- Vérifiez que tous les dispositifs de protection ont le bon calibre.
- Effectuez les vérifications du contrôleur conformément aux instructions du fabricant.
- Effectuez les tests requis conformément aux codes du bâtiment et de l'électricité en vigueur.

Étape 15 : Documentation

L'installateur doit fournir à l'opérateur/propriétaire un schéma de l'installation et une copie de la fiche d'installation et d'inspection.

4. FONCTIONNEMENT DU SYSTÈME

Faites fonctionner le système conformément aux instructions de contrôle et de surveillance.

5. ENTRETIEN DU SYSTÈME

Le système n'a pas de pièces mobiles et nécessite donc un minimum d'entretien. Référez-vous et conformez-vous aux codes et exigences en vigueur pour l'entretien des équipements électriques. Testez tous les disjoncteurs de fuite à la terre selon les instructions du fabricant. Inspectez périodiquement les commandes du système en les actionnant pour vous assurer qu'elles fonctionnent correctement.

6. DÉPANNAGE DU SYSTÈME

Guide de dépannage

⚠ AVERTISSEMENT : Débranchez toute alimentation avant de travailler sur une partie quelconque du système électrique

Symptôme	Causes probables	Action corrective
Résistance d'isolation inférieure aux attentes	<ol style="list-style-type: none">1. Pluie ou forte humidité.2. Encoches ou coupures dans le fil chauffant ou le câble d'entrée froide, avec présence d'humidité.3. Fil chauffant ou câble d'entrée froide plié ou écrasé.4. Des dommages physiques au fil chauffant ou au câble d'entrée froide causent un court-circuit direct entre le conducteur et la gaine.5. Présence d'humidité dans les terminaisons ou les connexions.6. Terminaison endommagée.	<ol style="list-style-type: none">(1) Séchez l'extrémité du câble et la surface des joints d'extrémité. Examinez le boîtier de connexion de l'alimentation pour voir s'il n'y a pas d'humidité ou de signe de cheminement. Séchez les connexions et refaites le test.(2, 3) Procédez à la localisation de défauts afin de trouver la section de câble endommagée. S'il est endommagé, réparez ou remplacez le fil chauffant ou le câble d'entrée froide.(4) Cherchez visuellement des indices de dommages autour de zones qui auraient pu être exposées à des travaux de maintenance. Recherchez du béton ou de l'asphalte fissuré ou endommagé ou toute trace de travail sur la surface de la dalle. Réparez ou remplacez les sections endommagées du fil chauffant, du câble d'entrée froide ou des terminaisons.(5) Séchez le câble d'entrée froide et/ou les connexions et remplacez la terminaison si nécessaire.(6) Remplacez la terminaison.
Résistance plus faible que prévu	<ol style="list-style-type: none">1. Conducteur(s) court-circuité(s) à la gaine entre la terminaison et le joint d'extrémité.2. Les deux conducteurs sont court-circuités entre la terminaison et le joint d'extrémité.	<ol style="list-style-type: none">(1, 2) Procédez à la localisation de défauts afin de trouver la section de câble endommagée. Réparez ou remplacez les sections endommagées du fil chauffant.
Résistance infinie	<ol style="list-style-type: none">1. Le conducteur est en circuit ouvert.	<ol style="list-style-type: none">(1) Procédez à la localisation de défauts afin de trouver la section de câble endommagée. Réparez ou remplacez les sections endommagées du fil chauffant, du câble d'entrée froide ou des terminaisons.
Résistance nulle	<ol style="list-style-type: none">1. Conducteur(s) court-circuité(s) à la gaine au niveau de la terminaison ou de l'épissure chaude/froide.	<ol style="list-style-type: none">(1) Procédez à la localisation de défauts afin de trouver la section de câble endommagée. Réparez ou remplacez l'épissure chaude/froide ou la terminaison endommagée.
Disjoncteurs déclenchés	<ol style="list-style-type: none">1. Disjoncteur sous-dimensionné.2. Disjoncteur défectueux.3. Court-circuit dans les connexions électriques.4. Humidité excessive dans les boîtes de connexion.5. Encoches ou coupures dans le fil chauffant ou le fil froid, présence d'humidité.6. Fil chauffant ou câble d'entrée froide plié ou écrasé.7. Niveau de déclenchement du dispositif GFEP trop bas (5 mA utilisés au lieu de 30 mA) ou mauvais raccordement.	<ol style="list-style-type: none">(1) Recalculez le courant de charge du circuit. Redimensionnez le disjoncteur et le câblage selon les besoins.(2) Réparez ou remplacez le disjoncteur.(3) Localisez et réparez les mauvaises connexions.(4) Installez des drains dans les boîtiers de raccordement au besoin. Séchez le câble d'entrée froide et remplacez les terminaisons si nécessaire.(5,6) Procédez à la localisation de défauts afin de trouver la section de câble endommagée. Réparez ou remplacez les sections endommagées du fil chauffant, du câble d'entrée froide ou des terminaisons.(7) Remplacez le dispositif GFEP 5 mA par un dispositif GFEP de 30 mA. Vérifiez les instructions de câblage du GFEP.

Symptôme	Causes probables	Action corrective
La puissance de sortie semble correcte mais la neige et la glace sont lentes à fondre.	1. Capteur de température de dalle ou thermostat de détection de dalle mal réglé. 2. Temporisation thermique. 3. Conditions météorologiques trop sévères pour la conception. 4. Densité de watt inadéquate (W/π^2 ; W/m^2). 5. Mauvais WinterGard Mesh installé.	(1) Réglez la commande du capteur ou le thermostat à 50 °F (10 °C). (2) WinterGard Mesh n'est pas activé assez tôt. Vérifiez les commandes du système. Ajustez ou modifiez son fonctionnement. (3) Une fois les chutes de neige terminées, activez manuellement le système pour faire fondre la neige restante. (Un système de fonte de neige de surface typique n'est pas conçu pour faire fondre efficacement toute la neige pendant les tempêtes les plus violentes). (4,5) Vérifiez que l'installation a été effectuée selon la conception. Contactez nVent pour obtenir de l'aide.
Puissance de sortie nulle ou incorrecte	1. Contrôleur de fonte de neige ne fonctionne pas. 2. Thermostat de détection de dalle ne fonctionne pas. 3. Thermostat de détection de dalle câblé en position normalement ouverte (N.O.). 4. Pas de tension d'entrée. 5. Fil chauffant, câble d'entrée froide ou épaisseur chaude/froide cassé ou endommagé. 6. Disjoncteurs déclenchés. 7. Tension incorrecte utilisée. 8. Mauvais WinterGard Mesh installé. 9. Les capteurs sont câblés aux mauvaises bornes ou n'établissent pas de contact.	(1) Vérifiez les connexions électriques du contrôleur et du capteur de fonte de neige, vérifiez la tension d'alimentation du contrôleur, vérifiez leur fonctionnement et réparez ou remplacez le contrôleur ou le capteur si nécessaire. (2) Vérifiez les connexions électriques du thermostat, vérifiez son fonctionnement et réparez ou remplacez le thermostat si nécessaire. (3) Vérifiez le câblage en utilisant les bornes normalement fermées (N.C.) afin que les contacts se ferment lorsque la température baisse. (4) Réparez les lignes et l'équipement d'alimentation électrique. (5) Réparez ou remplacez le fil chauffant ou le câble d'entrée froide. (6) Voir le symptôme « Disjoncteurs Déclenchés » ci-dessus. (7) Vérifiez la tension et connectez la bonne tension si nécessaire. (8) Vérifiez que l'installation a été effectuée selon la conception. Contactez nVent pour obtenir de l'aide. (9) Vérifiez que les capteurs sont câblés aux bonnes bornes et que les conducteurs sont en contact.

⚠ IMPORTANT : si les actions correctives ci-dessus ne résolvent pas le problème, contactez votre représentant nVent pour obtenir de l'aide.

7. FICHE D'INSTALLATION ET D'INSPECTION

Établissement : _____

Date du test : _____

Numéro de circuit : _____

Numéro de catalogue du Wintergard Mesh : _____

Contrôleurs : _____

Réglage de la température le cas échéant : _____

Mise en service

Date d'inspection : _____

Inspection visuelle

Confirmer qu'un dispositif de protection contre les fuites à la terre de 30 mA est utilisé (valeur/fonction)

Inspection visuelle à l'intérieur des boîtes de connexion afin de détecter une surchauffe, la corrosion, l'humidité, des connexions desserrées et d'autres problèmes.

Connexion électrique appropriées

Vérifiez les contrôleurs : humidité, corrosion, point de consigne, fonctionnement de l'interrupteur.

Test de résistance d'isolation	M-Ohms	Test n°1 avant installation	Test n°2 lors de l'installation	Test n°3 après installation
Conducteur au fil de terre	500 Vdc			
	1000 Vdc			
	2500 Vdc			

Test de continuité (résistance)	Ohms	Test n°1 avant installation	Test n°2 lors de l'installation	Test n°3 après installation
Conducteur à conducteur				

Contrôle de puissance

Tension du circuit

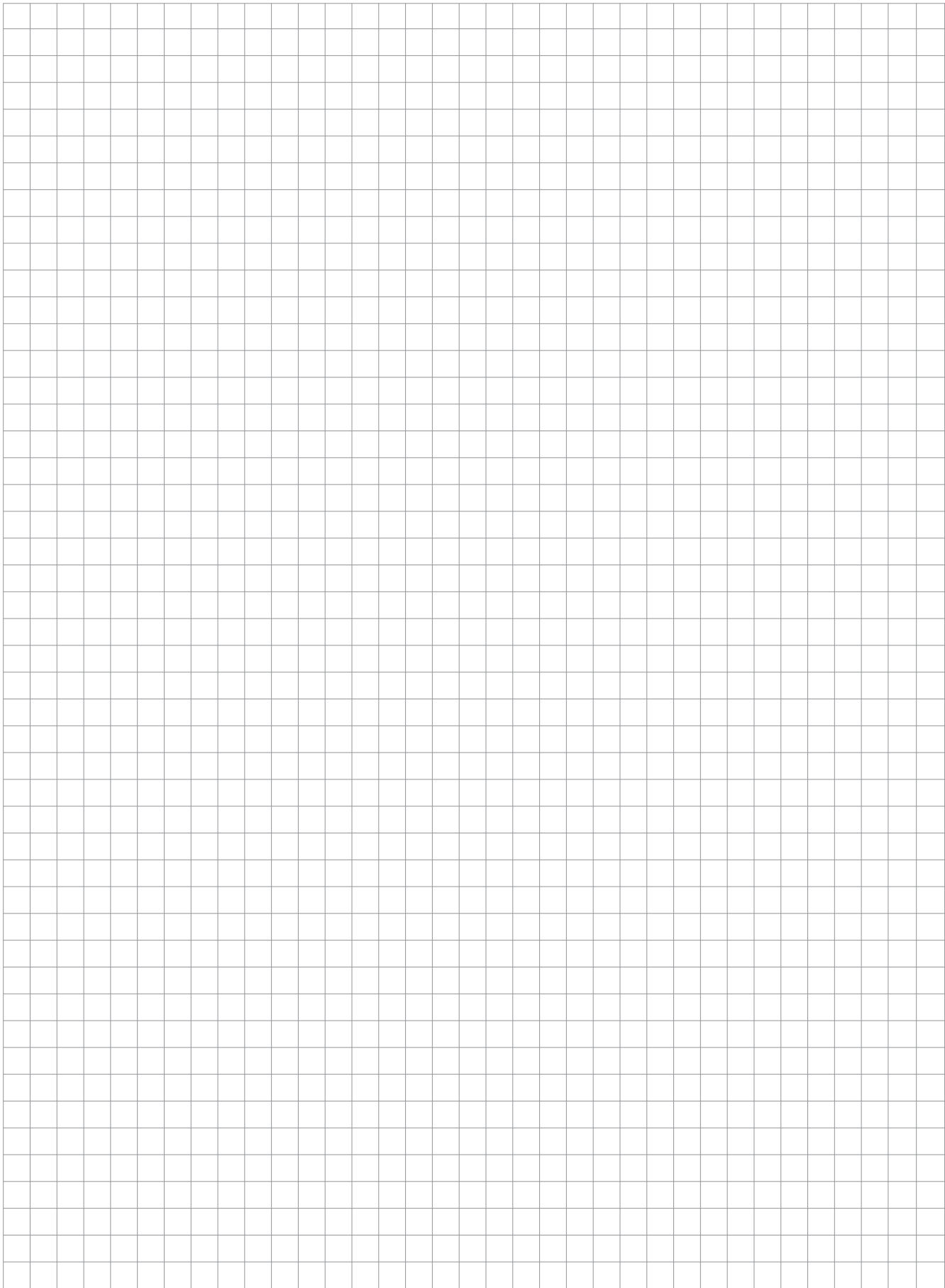
Panneau (Vac)

Courant (ampères) dans le circuit après 5 minutes (Amps)



EN

CF



North America

Tel +1.800.545.6258
Fax +1.800.527.5703
thermal.info@nVent.com

Europe, Middle East, Africa

Tel +32.16.213.511
Fax +32.16.213.604
thermal.info@nVent.com

Asia Pacific

Tel +86.21.2412.1688
Fax +86.21.5426.3167
cn.thermal.info@nVent.com

Latin America

Tel +1.713.868.4800
Fax +1.713.868.2333
thermal.info@nVent.com



nVent.com/RAYCHEM