

TECHNICAL SPECIFICATIONS	
UNIT TYPE:	BASIC
ORIENTATION:	VERTICAL, MID
OUTLET QTY & TYPE:	(20) C13, (4) C19
INPUT VOLTAGE:	200-240VAC
INPUT CURRENT:	30A (24A DERATED)
BREAKER QTY & TYPE:	(2) 20A, DOUBLE-POLE
INPUT PHASE:	SINGLE-PHASE
RATED POWER:	5.0kVA
INPUT PLUG:	SEE NOTE 7
INPUT POWER CORD:	SEE IDENTIFICATION TABLE
FEATURES	
METERING ACCURACY	+/-1% TO ISO/ IEC 62052-21
METERING ATTRIBUTES	VOLTAGE(V), CURRENT(A), APPARENT POWER(kVA), REAL POWER(kW), POWER FACTOR, ENERGY(kWh)
METERED COMPONENTS	N/A
REMOTE OUTLET SWITCHING	N/A
ENVIRONMENTAL CONDITIONS	
OPERATING TEMPERATURE	-5 TO 60 C (23 TO 140 F)
STORAGE TEMPERATURE	-20 TO 60 C (-4 TO 140 F)
HUMIDITY (OPERATING/STORAGE)	5-90% RH / 5-95% RH; NON-CONDENSING
MAX OPERATING ELEVATION, ABOVE MSL	3000M(9840FT)
COMPLIANCE	
SAFETY&ENVIRONMENTAL	RoHS COMPLIANT

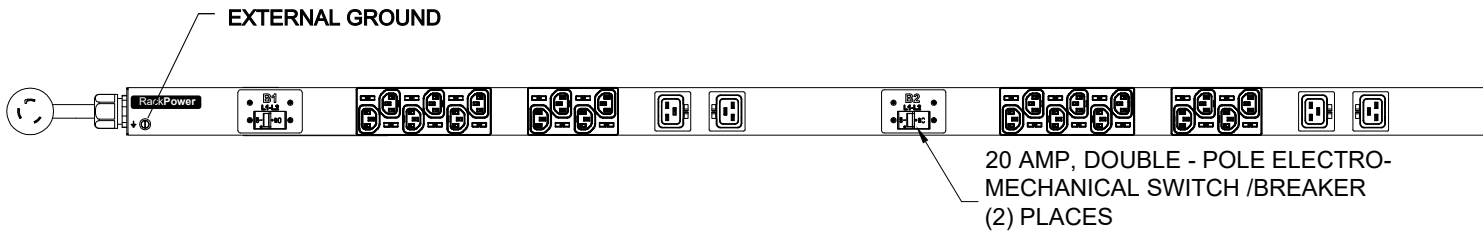
IDENTIFICATION TABLE	RB 0324	*	*	*	*
MODEL IS SHOWN IN DEFAULT CONFIGURATION. FOR OPTIONAL CONFIGURATIONS, USE ITEM IDENTIFIER CODE IN PLACE OF EACH ASTERISK. ORDERABLE BASED ON FORMAT: RB0324****	DO NOT INCLUDE TRAILING ZEROS IN **** SUFFIX	INPUT PLUG (DEFAULT) L6 - 30P = 0	CHASSIS COLOR (DEFAULT) BLACK = 0 BLUE = B RED = R WHITE = W GREEN = G YELLOW = Y	CORD OPTION (DEFAULT) 3m [10'] = 0 1m [3.2'] = 1 2m [6.6'] = 2	ORIENTATION (DEFAULT) TOP FEED = 0 BOTTOM FEED = 2
OPTIONS LISTED ON THIS ROW ARE NON STANDARD, CONTACT SALES FOR ADDITIONAL INFORMATION			ORANGE = A	0.5m [1.6'] = A 1.2m [4'] = G 1.5m [4.9'] = B 1.8m [6'] = F 2.5m [8.2'] = C	

- NOTES :**
- INSTALLATION SHALL COMPLY WITH ALL APPLICABLE NATIONAL, STATE AND LOCAL CODES.
 - PRIMARY DIMENSIONS ARE IN MILLIMETERS. SECONDARY DIMENSIONS ARE IN [INCHES]
 - UNIVERSAL MOUNTING BRACKET IS AN ALTERNATIVE MOUNTING METHOD TO THE TOOLLESS MOUNT FOR 3RD PARTY ENCLOSURES. BRACKET IS PROVIDED WITH THE UNIT.
 - DETAILED INSTALLATION INSTRUCTIONS CAN BE FOUND IN THE QUICK START GUIDE
 - CONNECT EXTERNAL EARTH GROUND TO THE 10-32 SIZE THREADED NUT
 - SEE PRODUCT DOCUMENTATION FOR FURTHER INFORMATION
 - INPUT PLUG CONFIGURATION (SEE IDENTIFICATION TABLE) FOR DUAL-RATED UNITS, NEMA PLUGS ARE NAM RATED ONLY AND CAPTIVE AUS/NZ PLUGS ARE EMEA RATED ONLY



THIS DRAWING AND SPECIFICATIONS HEREIN ARE THE PROPERTY OF CIS GLOBAL AND SHALL NOT BE COPIED, REPRODUCED OR USED IN WHOLE OR IN PART, AS THE BASIS FOR THE MANUFACTURE OR SALE OF ITEMS WITHOUT WRITTEN PERMISSION FROM CIS GLOBAL. THIS DRAWING IS BASED UPON LATEST AVAILABLE INFORMATION AND IS SUBJECT TO CHANGE WITHOUT NOTICE

ECN/ECO	REV.	DESCRIPTION	DATE	APPROVED
ECN-2210-0226	E2	REVISE METER ACCURACY AND ATTRIBUTES CONTENT	2022/10/08	LRF
	E1	INITIAL DRAFT REVIEW	2022/05/10	LRF
ECN/ECO	REV.	DESCRIPTION	DATE	APPROVED
REVISIONS				
TITLE:		UNLESS NOTED, DIMENSIONS ARE IN MILLIMETERS & TOLERANCES ARE:		REV.
Advantage Series Basic		X: ±1 MM X*: ±1"		E2
		X.X: ±0.5 MM X.X*: ±0.5"		
PROJECT: RackPower		X.XX: ±0.20 MM		DRAWN BY: LRF
		ΦX.X: ±0.3 MM		ENGINEER: LJB
		ΦX.XX: ±0.10 MM		APPROVED BY: Hanson
		BRACKETED DIMENSIONS ARE IN INCHES FOR REFERENCE ONLY		SCALE: N/A
		⊕ THIRD ANGLE PROJECTION		SHEET 1 OF 3
		INTERPRET PER ASME Y14.5M-1994		SIZE: A3

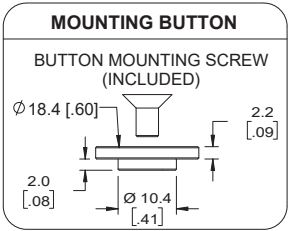
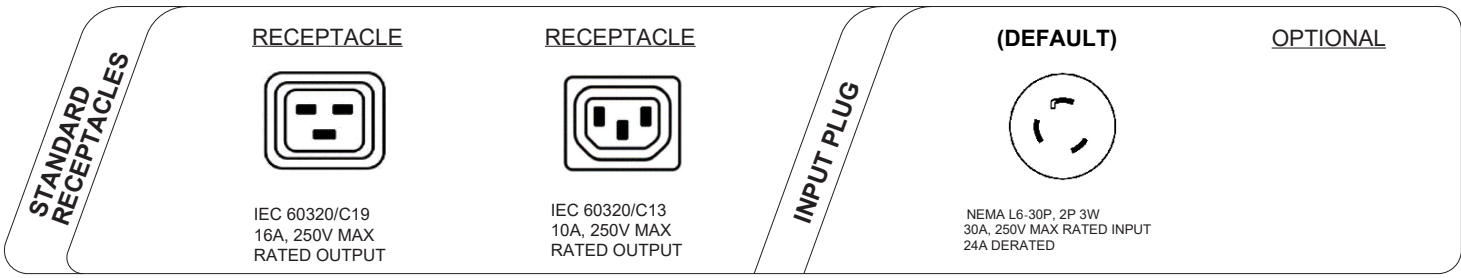


RECEPTACLE

IEC 60320/C19
16A, 250V MAX
RATED OUTPUT



IEC 60320/C13
10A, 250V MAX
RATED OUTPUT



- NOTES:**
1. INSTALLATION SHALL COMPLY WITH ALL APPLICABLE NATIONAL, STATE AND LOCAL CODES.
 2. SEE PRODUCT DOCUMENTATION FOR FURTHER INFORMATION

THIS DRAWING AND SPECIFICATIONS HEREIN ARE THE PROPERTY OF CIS GLOBAL AND SHALL NOT BE COPIED, REPRODUCED OR USED IN WHOLE OR IN PART, AS THE BASIS FOR THE MANUFACTURE OR SALE OF ITEMS WITHOUT WRITTEN PERMISSION FROM CIS GLOBAL. THIS DRAWING IS BASED UPON LATEST AVAILABLE INFORMATION AND IS SUBJECT TO CHANGE WITHOUT NOTICE

ECN-2210-0226	E2	REVISE METER ACCURACY AND ATTRIBUTES CONTENT	2022/10/08	LRF
	E1	INITIAL DRAFT REVIEW	2022/05/10	LRF
ECN/ECO	REV.	DESCRIPTION	DATE	APPROVED
REVISIONS				
TITLE:		UNLESS NOTED, DIMENSIONS ARE IN MILLIMETERS & TOLERANCES ARE: X: ±1 MM X*: ±1" X.X ±0.5 MM X.X* ±0.5" X.XX ±0.20 MM ØX.X ±0.3 MM ØX.XX ±0.10 MM	PART NO: RB0324WXYZ_DA	
PROJECT:			REV.: E2	
Advantage Series Basic		DRAWN BY: LRF		2022/05/10
RackPower		ENGINEER: LJB		2022/10/08
		APPROVED BY: Hanson		2022/10/08
SCALE: N/A			SHEET 2 OF 3	SIZE: A3
INTERPRET PER ASME Y14.5M-1994				

nvent | SCHROFF RackPower Distribution Unit **Basic** Made In XXXXX (Factory ID: X)

SKU #: RB0324WXYZ
 Model #: EP01024-0013
 INPUT: 200-240VAC, 1 Phase, 50/60Hz, 24A
 OUTPUT: C13; 200-240VAC, 10A per outlet
 C19; 200-240VAC, 16A per outlet
 24A Total

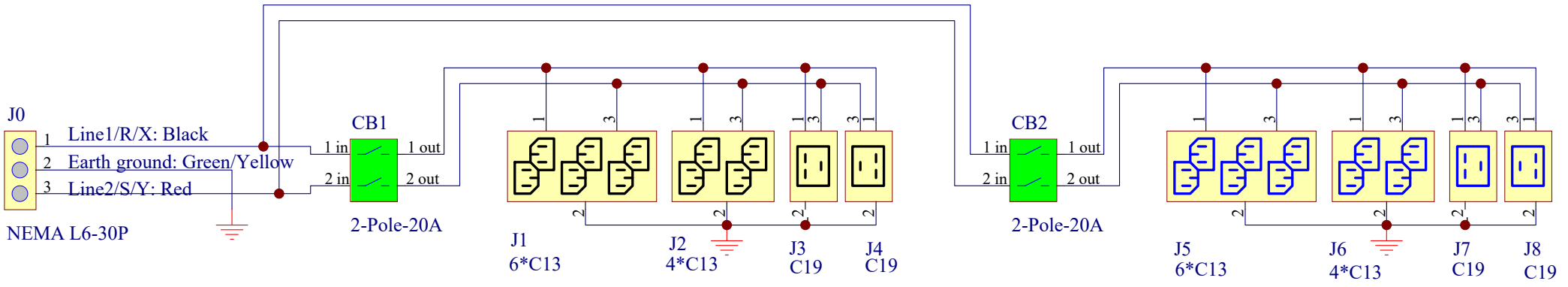
UL LISTED I.T.E. E342720

SKU# RB0324 WXYZ
 Serial Number XXXXXXXX
 PRODUCT CODE XXXXXX

Mfr.Name:XXXXXXXXXXXXXXXXXXXXXXXXXXXX

COMPLIANCE LABEL

- NOTES:**
1. INTERNAL WIRING:
 WIRE TYPE: UL AWM 1015, 12AWG
 LINE 1/R/X COLOR: BLACK
 EARTH GROUND COLOR: GREEN/YELLOW STRIPE
 LINE 2/S/Y COLOR: RED
2. REFERENCE PANDUIT ENGINEERING PRODUCT SPECIFICATION SPS-EDI-496 FOR ADDITIONAL PRODUCT INFORMATION NOT SPECIFIED ON THIS DRAWING



INTERNAL WIRING SCHEMATIC DIAGRAM

- NOTES:**
1. INSTALLATION SHALL COMPLY WITH ALL APPLICABLE NATIONAL, STATE AND LOCAL CODES.
 2. SEE PRODUCT DOCUMENTATION FOR FURTHER INFORMATION
 3. THIS DRAWING DEPICTS THE POWER SYSTEM CONNECTIONS AND IS NOT REPRESENTATIVE OF THE PHYSICAL LAYOUT. PLEASE REFER TO MECHANICAL DRAWINGS FOR PHYSICAL LAYOUT.

nvent | SCHROFF

THIS DRAWING AND SPECIFICATIONS HEREIN ARE THE PROPERTY OF CIS GLOBAL AND SHALL NOT BE COPIED, REPRODUCED OR USED IN WHOLE OR IN PART, AS THE BASIS FOR THE MANUFACTURE OR SALE OF ITEMS WITHOUT WRITTEN PERMISSION FROM CIS GLOBAL. THIS DRAWING IS BASED UPON LATEST AVAILABLE INFORMATION AND IS SUBJECT TO CHANGE WITHOUT NOTICE

ECN-2210-0226	E2	REVISE METER ACCURACY AND ATTRIBUTES CONTENT	2022/10/08	LRF
	E1	INITIAL DRAFT REVIEW	2022/05/10	LRF
ECN/ECO	REV.	DESCRIPTION	DATE	APPROVED
REVISIONS				
TITLE:		UNLESS NOTED, DIMENSIONS ARE IN MILLIMETERS & TOLERANCES ARE:	PART NO:	
Advantage Series Basic		X: ±1 MM	RB0324WXYZ_DA	
		X.X: ±0.5 MM	REV. E2	
PROJECT: RackPower		X.XX: ±0.20 MM	DRAWN BY: LRF	
		ΦX.X: ±0.3 MM	ENGINEER: LJB	
		ΦX.XX: ±0.10 MM	APPROVED BY: Hanson	
		BRACKETED DIMENSIONS ARE IN INCHES FOR REFERENCE ONLY	SCALE: N/A	
		⊕ THIRD ANGLE PROJECTION	SHEET 3 OF 3	
		INTERPRET PER ASME Y14.5M-1994	SIZE: A3	