

TECHNICAL SPECIFICATIONS	
UNIT TYPE:	BASIC
ORIENTATION:	VERTICAL, 0U FULL
OUTLET QTY & TYPE:	(21)C13/C15, (21)C13/C15/C19
INPUT VOLTAGE:	208VAC
INPUT CURRENT:	30A (24A DERATED)
BREAKER QTY & TYPE:	(3) 20AMP, DOUBLE-POLE
INPUT PHASE:	THREE-PHASE, WYE/DELTA
RATED POWER:	8.6 KVA
INPUT PLUG:	SEE NOTE 7
INPUT POWER CORD:	SEE IDENTIFICATION TABLE
FEATURES	
METERING ACCURACY	+/-1% TO ISO/ IEC 62052-21
METERING ATTRIBUTES	VOLTAGE(V), CURRENT(A), APPARENT POWER(kVA), REAL POWER(kW), POWER FACTOR, ENERGY(kWh)
METERED COMPONENTS	N/A
REMOTE OUTLET SWITCHING	N/A
ENVIRONMENTAL CONDITIONS	
OPERATING TEMPERATURE	-5 TO 60 C (23 TO 140 F)
STORAGE TEMPERATURE	-20 TO 60 C (-4 TO 140 F)
HUMIDITY (OPERATING/STORAGE)	5-90% RH / 5-95% RH; NON-CONDENSING
MAX OPERATING ELEVATION, ABOVE MSL	3000M(9840FT)
COMPLIANCE	
SAFETY&ENVIRONMENTAL	RoHS COMPLIANT

IDENTIFICATION TABLE	RB0851	* INPUT PLUG	* CHASSIS COLOR	* CORD OPTION	* ORIENTATION
MODEL IS SHOWN IN DEFAULT CONFIGURATION. FOR OPTIONAL CONFIGURATIONS, USE ITEM IDENTIFIER CODE IN PLACE OF EACH ASTERISK. ORDERABLE BASED ON FORMAT: RB0851**** DO NOT INCLUDE TRAILING ZEROS IN **** SUFFIX		(DEFAULT) L21-30P=0 L15-30P=S	(DEFAULT) BLACK = 0 RED = R GREEN = G BLUE = B WHITE = W YELLOW = Y	(DEFAULT) 1.8m [6'] = 0 1m [3.2'] = 1 2m [6.6'] = 2 3m [10'] = 3	(DEFAULT) TOP FEED = 0 BOTTOM FEED = 2
OPTIONS LISTED ON THIS ROW ARE NON STANDARD, CONTACT SALES FOR ADDITIONAL INFORMATION			ORANGE = A	0.5m [1.6'] = A 1.5m [4.9'] = B 2.5m [8.2'] = C	

- NOTES :
- INSTALLATION SHALL COMPLY WITH ALL APPLICABLE NATIONAL, STATE AND LOCAL CODES.
  - PRIMARY DIMENSIONS ARE IN MILLIMETERS. SECONDARY DIMENSIONS ARE IN [INCHES]
  - UNIVERSAL MOUNTING BRACKET IS AN ALTERNATIVE MOUNTING METHOD TO THE TOOLLESS MOUNT FOR 3RD PARTY ENCLOSURES. BRACKET IS PROVIDED WITH THE UNIT.
  - DETAILED INSTALLATION INSTRUCTIONS CAN BE FOUND IN THE QUICK START GUIDE
  - CONNECT EXTERNAL EARTH GROUND TO THE 10-32 SIZE THREADED NUT
  - SEE PRODUCT DOCUMENTATION FOR FURTHER INFORMATION
  - INPUT PLUG CONFIGURATION (SEE IDENTIFICATION TABLE) FOR DUAL-RATED UNITS, NEMA PLUGS ARE NAM RATED ONLY AND CAPTIVE AUS/NZ PLUGS ARE EMEA RATED ONLY

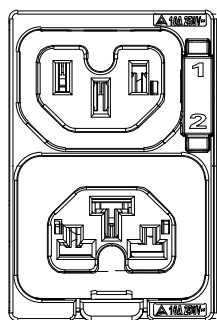
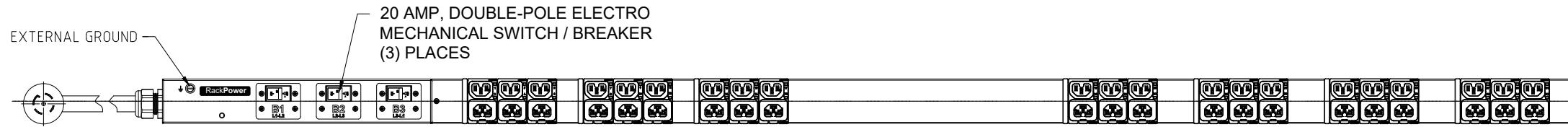
THIS DRAWING AND SPECIFICATIONS HEREIN ARE THE PROPERTY OF CIS GLOBAL AND SHALL NOT BE COPIED, REPRODUCED OR USED IN WHOLE OR IN PART, AS THE BASIS FOR THE MANUFACTURE OR SALE OF ITEMS WITHOUT WRITTEN PERMISSION FROM CIS GLOBAL. THIS DRAWING IS BASED UPON LATEST AVAILABLE INFORMATION AND IS SUBJECT TO CHANGE WITHOUT NOTICE

ECN/ECO	REV.	DESCRIPTION	DATE	DRAWING BY
ECN-2210-0226	E2	REVISE METER ACCURACY AND ATTRIBUTES CONTENT , ADD AGENCY LABEL FOR L15	2022/10/08	LRF
	E1	INITIAL DRAFT REVIEW	2022/05/06	Leo

REVISIONS		PART NO:	REV.
TITLE : Advantage Series Basic		RB0851WXYZ_DA	E2
PROJECT: RackPower		DRAWN BY: Leo	2022/05/06
		ENGINEER: LJB	2022/10/08
		APPROVED BY: Hanson	2022/10/08
		SCALE : N/A	SHEET 1 OF 3
			SIZE: A3

UNLESS NOTED, DIMENSIONS ARE IN MILLIMETERS & TOLERANCES ARE:  
 X ±1 MM X° ±1°  
 X.X ±0.5 MM X.X° ±0.5°  
 X ±0.20 MM  
 Ø X.X ±0.3 MM  
 Ø X.XX ±0.10 MM

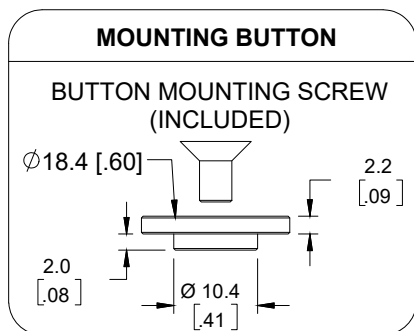
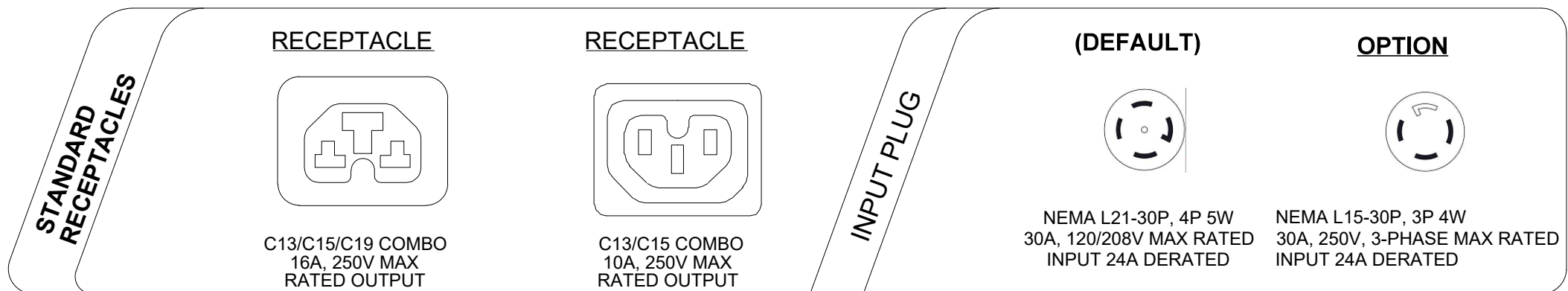
BRACKETED DIMENSIONS ARE IN INCHES FOR REFERENCE ONLY  
 ⊕ THRID ANGLE PROJECTION  
 INTERPRET PER ASME Y14.5M-1994



**RECEPTACLE**

C13/C15 COMBO  
10A, 250V MAX  
RATED OUTPUT

C13/C15/C19 COMBO  
16A, 250V MAX  
RATED OUTPUT



- NOTES :**
1. INSTALLATION SHALL COMPLY WITH ALL APPLICABLE NATIONAL, STATE AND LOCAL CODES.
  2. SEE PRODUCT DOCUMENTATION FOR FURTHER INFORMATION

THIS DRAWING AND SPECIFICATIONS HEREIN ARE THE PROPERTY OF CIS GLOBAL AND SHALL NOT BE COPIED, REPRODUCED OR USED IN WHOLE OR IN PART, AS THE BASIS FOR THE MANUFACTURE OR SALE OF ITEMS WITHOUT WRITTEN PERMISSION FROM CIS GLOBAL. THIS DRAWING IS BASED UPON LATEST AVAILABLE INFORMATION AND IS SUBJECT TO CHANGE WITHOUT NOTICE

ECN-2210-0226	E2	REVISE METER ACCURACY AND ATTRIBUTES CONTENT , ADD AGENCY LABEL FOR L15	2022/10/08	LRF
	E1	INITIAL DRAFT REVIEW	2022/05/06	Leo
ECN/ECO	REV.	DESCRIPTION	DATE	DRAWING BY

REVISIONS				
<b>TITLE :</b>	UNLESS NOTED, DIMENSIONS ARE IN MILLIMETERS & TOLERANCES ARE:		<b>PART NO.:</b>	<b>REV.</b>
Advantage Series Basic	X ±1 MM	X" ±1"	RB0851WXYZ_DA	E2
	X.X ±0.5 MM	X.X" ±0.5"	<b>DRAWN BY:</b> Leo	2022/05/06
	X ±0.20 MM		<b>ENGINEER:</b> LJB	2022/10/08
	Ø X.X ±0.3 MM		<b>APPROVED BY:</b> Hanson	2022/10/08
	Ø X.XX ±0.10 MM		SCALE : N/A	SHEET 2 OF 3
<b>PROJECT :</b> RackPower	BRACKETED DIMENSIONS ARE IN INCHES FOR REFERENCE ONLY			<b>SIZE:</b> A3
	⊕ THRID ANGLE PROJECTION			
	INTERPRET PER ASME Y14.5M-1994			

**nvent | SCHROFF** RackPower Distribution Unit Basic

SKU #: RB0851WXYZ  
 Model #: EP406024-0061-C  
 INPUT: 100-120/200-240VAC, WYE, 3PHASE, 50/60Hz, 24A  
 OUTPUT: C13/C15 COMBO; 200-240VAC, 10A per outlet  
 C13/C15/C19 COMBO; 200-240VAC, 16A max per outlet  
 24A Total

Made In XXXXX

SP 300805 US 50

SKU#: RB0851WXYZ  
 Serial Number: XXXXXXXX  
 PRODUCT CODE: XXXXX

Input Plug: L21-30P

**nvent | SCHROFF** RackPower Distribution Unit Basic

SKU #: RB0851WXYZ  
 Model #: EP404024-0061-C  
 INPUT: 200-240VAC, DELTA, 3PHASE, 50/60Hz, 24A  
 OUTPUT: C13/C15 COMBO; 200-240VAC, 10A per outlet  
 C13/C15/C19 COMBO; 200-240VAC, 16A max per outlet  
 24A Total

Made In XXXXX

SP 300805 US 50

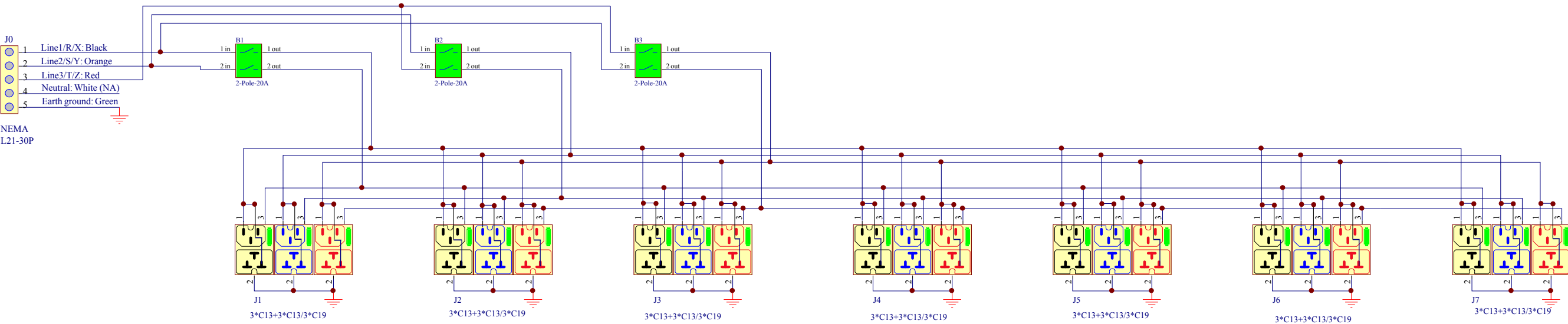
SKU#: RB0851WXYZ  
 Serial Number: XXXXXXXX  
 PRODUCT CODE: XXXXX

Input Plug: L15-30P

**NOTES:**

- 1. INTERNAL WIRING WIRE TYPE: UL AWM 1015, 12 & 18 AWG
- LINE 1/R/X COLOR: Black
- LINE 2/S/Y COLOR: Orange
- LINE 3/T/Z COLOR: Red
- NEUTRAL COLOR: White (NA)
- EARTH GROUND COLOR: Green
- 2. FOR FINISHED GOOD PART NUMBER SEE IDENTIFICATION

**COMPLIANCE LABEL**



**INTERNAL WIRING SCHEMATIC**

- NOTES:**
- 1. INSTALLATION SHALL COMPLY WITH ALL APPLICABLE NATIONAL, STATE AND LOCAL CODES.
  - 2. SEE PRODUCT DOCUMENTATION FOR FURTHER INFORMATION.
  - 3. THIS DRAWING DEPICTS THE POWER SYSTEM CONNECTIONS AND IS NOT REPRESENTATIVE OF THE PHYSICAL LAYOUT. PLEASE REFER TO MECHANICAL DRAWINGS FOR PHYSICAL LAYOUT.

**nvent | SCHROFF**

THIS DRAWING AND SPECIFICATIONS HEREIN ARE THE PROPERTY OF CIS GLOBAL AND SHALL NOT BE COPIED, REPRODUCED OR USED IN WHOLE OR IN PART, AS THE BASIS FOR THE MANUFACTURE OR SALE OF ITEMS WITHOUT WRITTEN PERMISSION FROM CIS GLOBAL. THIS DRAWING IS BASED UPON LATEST AVAILABLE INFORMATION AND IS SUBJECT TO CHANGE WITHOUT NOTICE

ECN-2210-0226	E2	REVISE METER ACCURACY AND ATTRIBUTES CONTENT , ADD AGENCY LABEL FOR L15	2022/10/08	LRF
	E1	INITIAL DRAFT REVIEW	2022/05/06	Leo Liu
ECN/ECO	REV.	DESCRIPTION	DATE	DRAWING BY
REVISIONS				
TITLE :		UNLESS NOTED, DIMENSIONS ARE IN MILLIMETERS & TOLERANCES ARE:	PART NO: RB0851WXYZ_DA	
Advantage Series Basic		X ±1 MM X° ±1°	REV. E2	
PROJECT : RackPower		X.X ±0.5 MM X.X° ±0.5°	DRAWN BY: Leo	
		X ±0.20 MM	ENGINEER: LJB	
		Ø X.X ±0.3 MM	APPROVED BY: Hanson	
		Ø X.XX ±0.10 MM	2022/10/08	
BRACKETED DIMENSIONS ARE IN INCHES FOR REFERENCE ONLY			SCALE : N/A	SHEET 3 OF 3
⊕ THRID ANGLE PROJECTION			SIZE: A3	
INTERPRET PER ASME Y14.5M-1994				